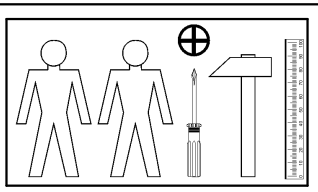
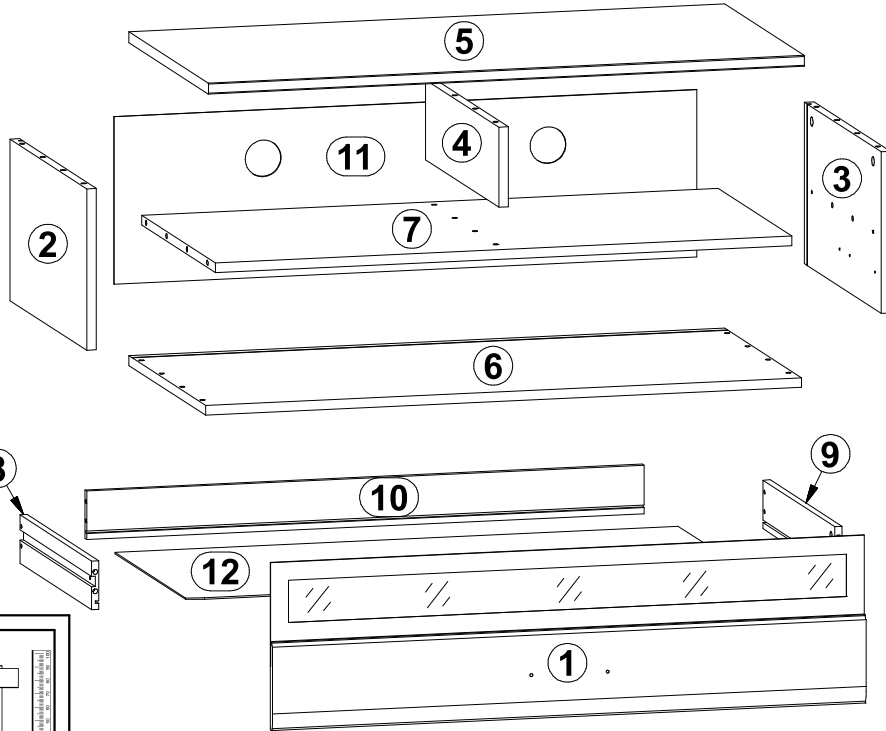
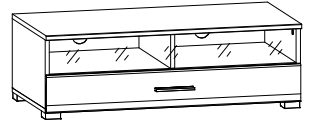


ВУШЕР

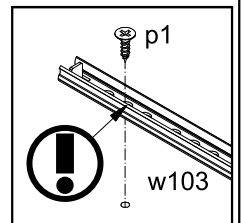
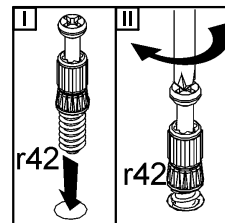
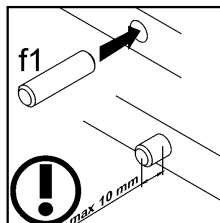
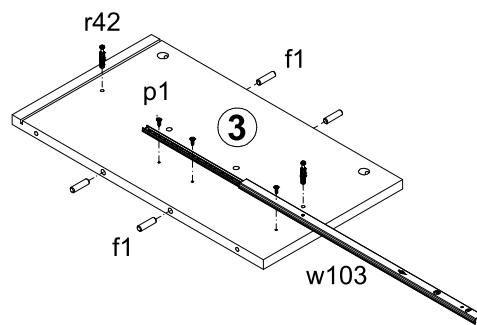
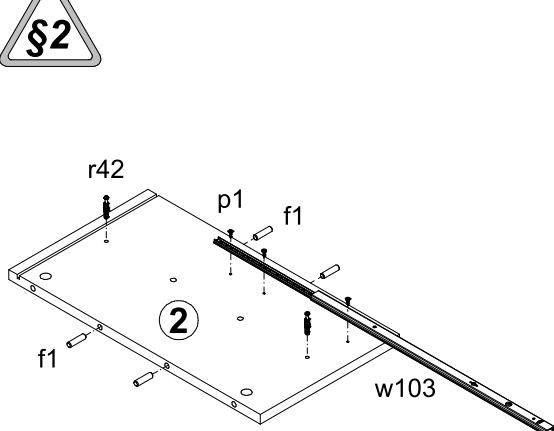
Тумба РТВ_РТV 1SW

A	B	C	D	A	B	C	D		
1	S154-003	996	276	1/1	8	S154-501	450	80	1/1
2	S154-102	266	480	1/1	9	S154-502	450	80	1/1
3	S154-103	266	480	1/1	10	S154-503	927	80	1/1
4	S154-104	132	460	1/1	11	S154-902	978	276	1/1
5	S154-202	1000	498	1/1	12	S154-903	942	448	1/1
6	S154-203	1000	480	1/1					
7	S154-302	967	460	1/1					

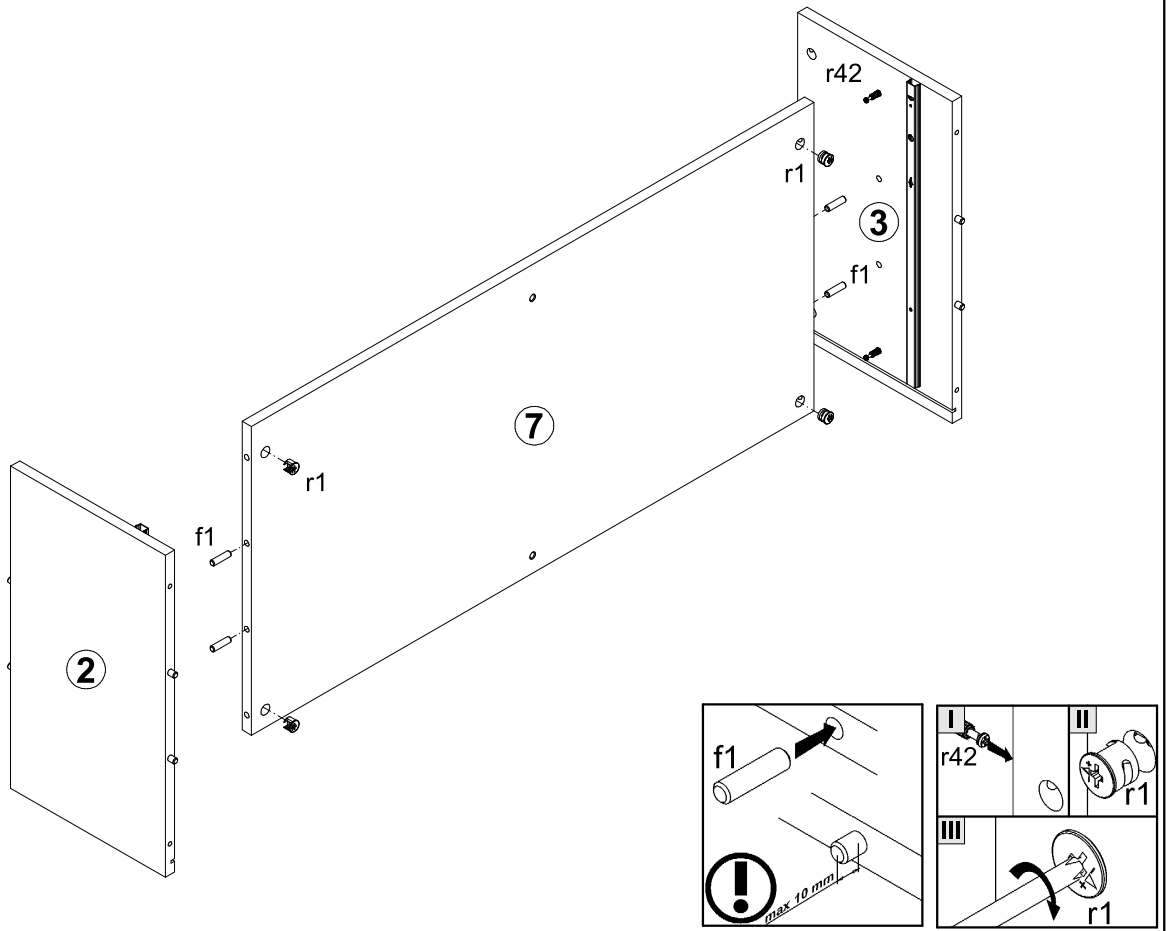


1x c253\3	6x φ7x50 mm e1	16x φ8x30 mm f1	4x φ5x50 mm e32	2x M4x12 mm j3	4x k55	8x l2	6x φ3,5x13 mm p1	2x φ3,5x16 mm p25
8x φ4x35 mm p6	2x φ4x30 mm p9	10x φ1,5x12mm #16 r1	4x φ12x10,5mm #12 r15	14x r42	6x ø16 s2	1x 438 mm t37	2x 450 mm w103	1x z1

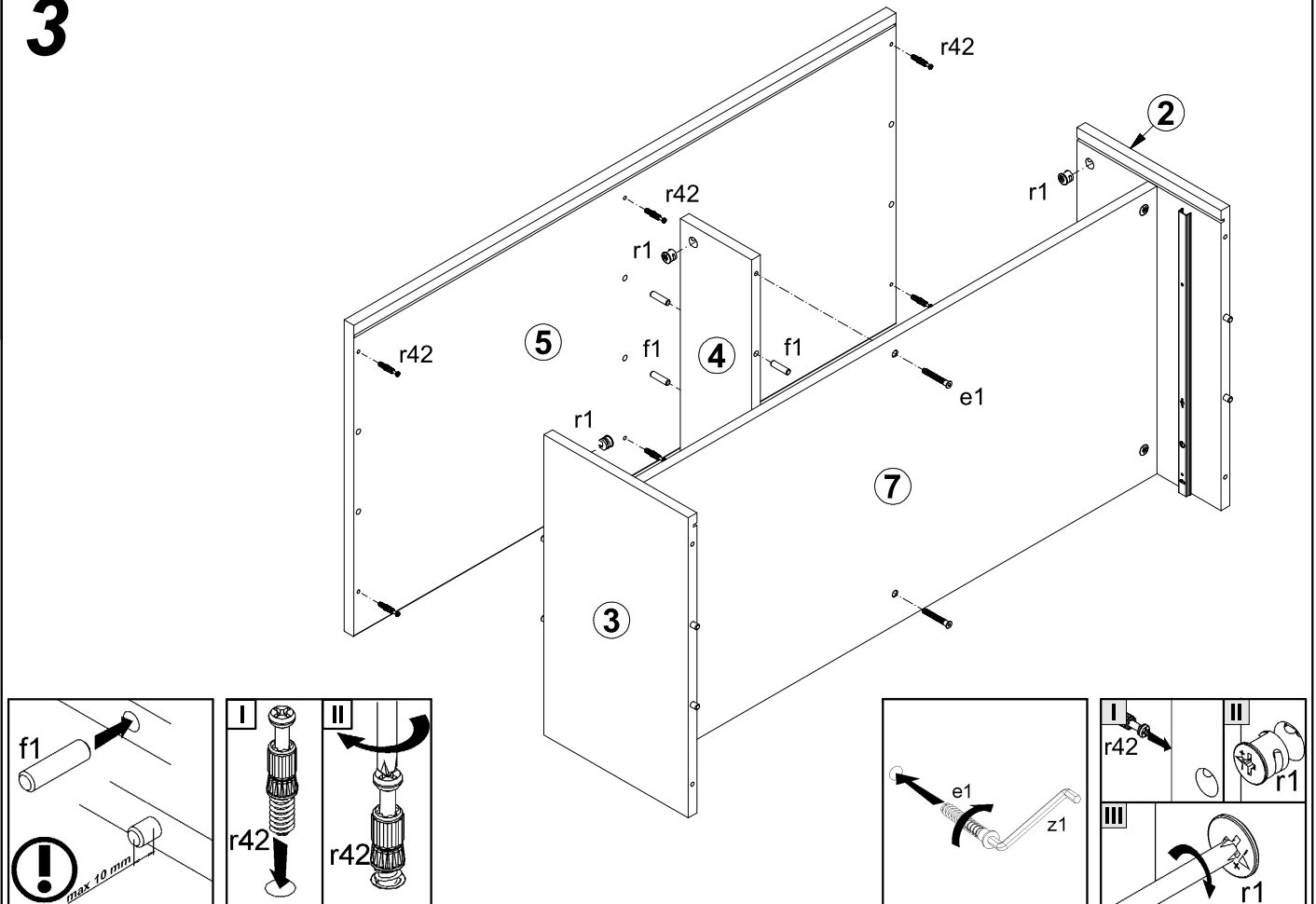
1 §2



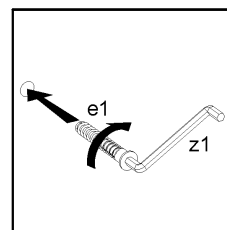
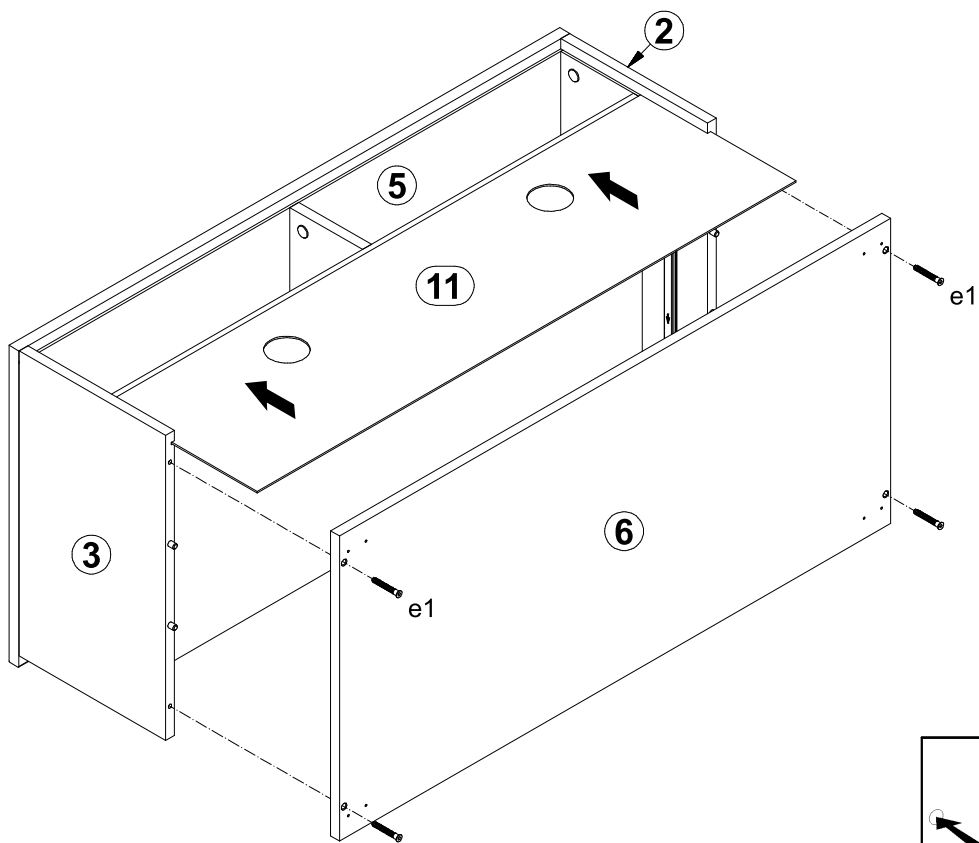
2



3



4



5

