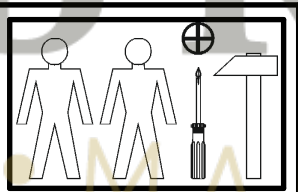
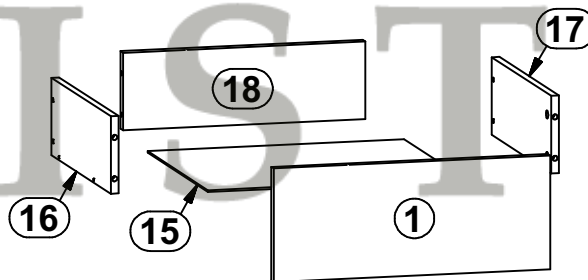
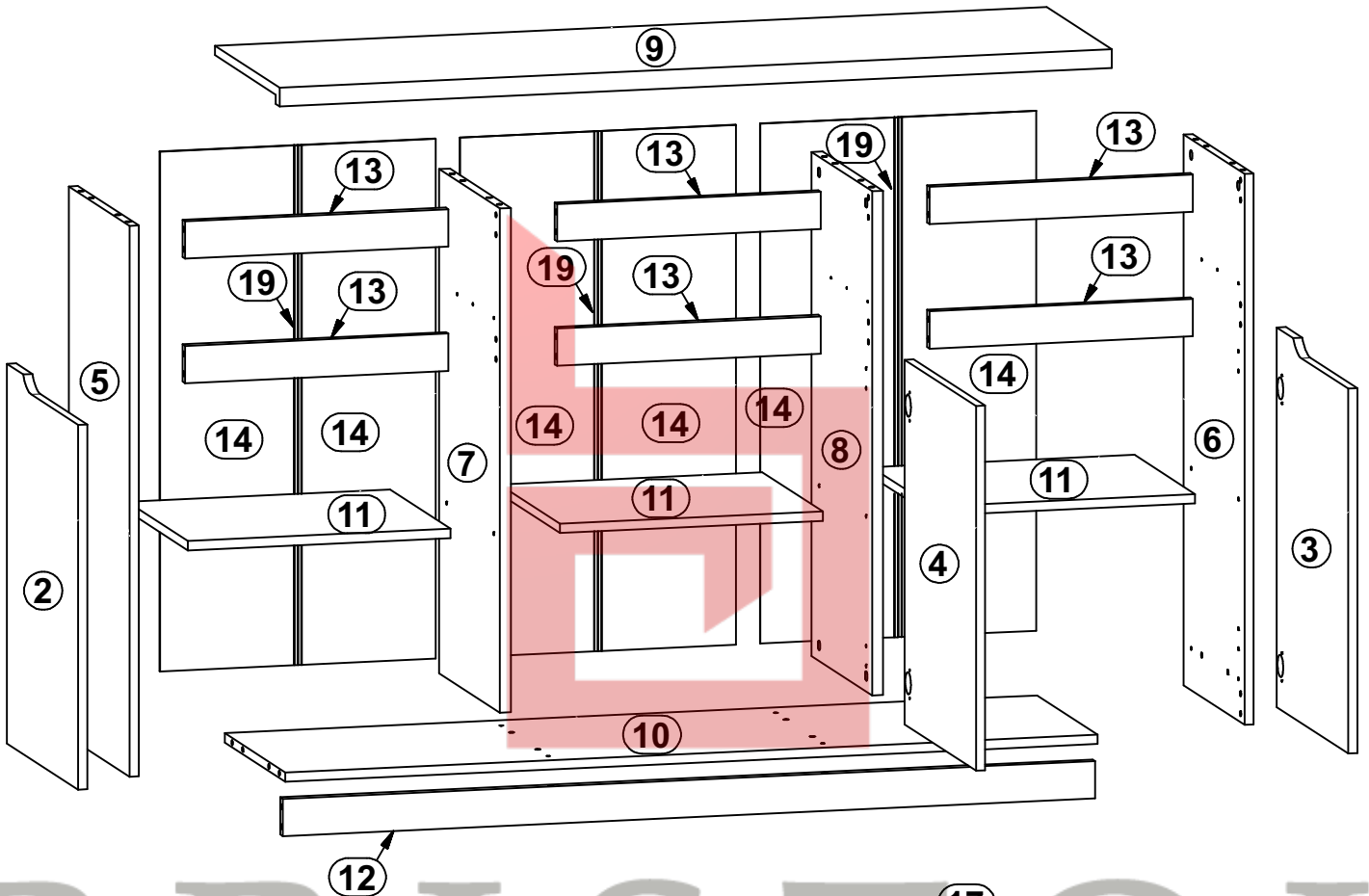
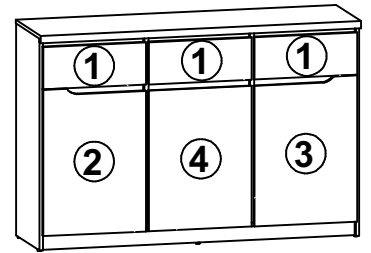


JULY

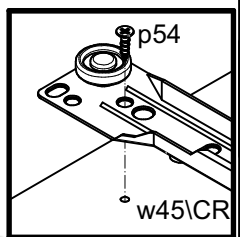
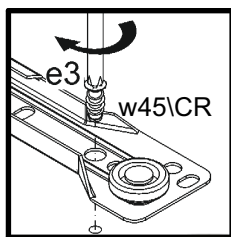
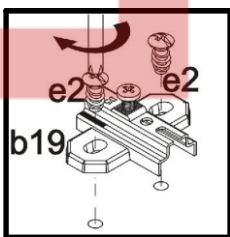
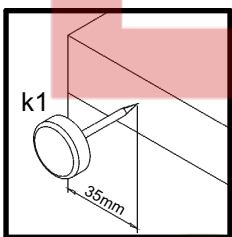
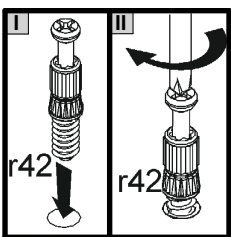
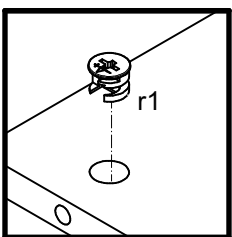
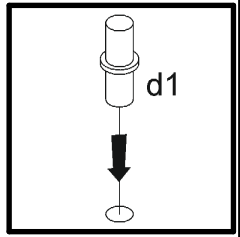
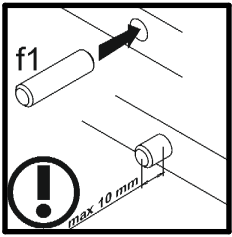
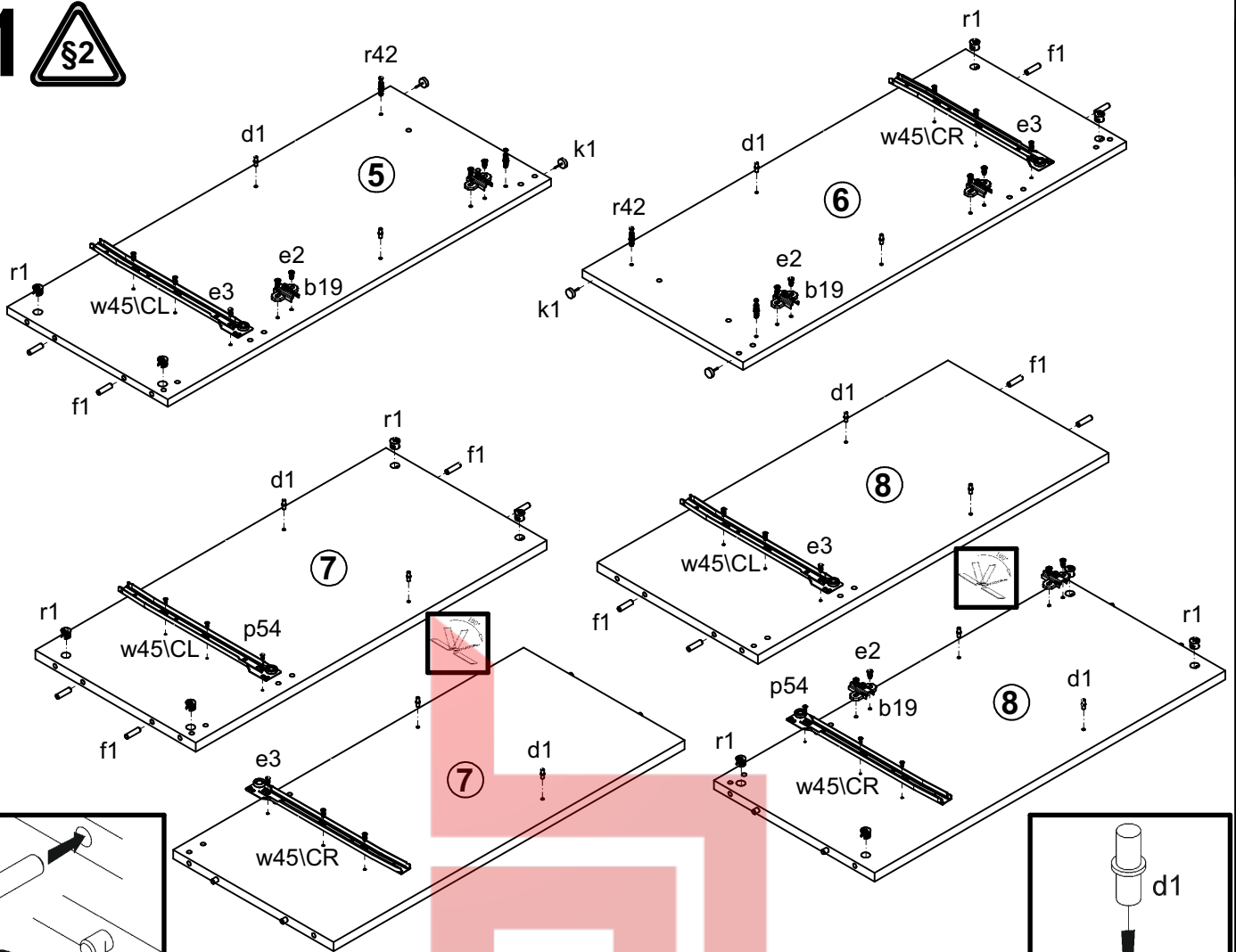
S162-KOM3D3S

A	B	C	D	A	B	C	D		
1	S162-0019	436	176	3/3	10	S162-3315	1329	371	2/3
2	S162-0020	610	436	3/3	11	S162-3316	430	370	1/3
3	S162-0021	610	436	3/3	12	S162-4409	1329	60	2/3
4	S162-0022	586	436	3/3	13	S162-4413	431	60	1/3
5	S162-1123	885	371	1/3	14	S162-9917	835	225	2/3
6	S162-1124	885	371	1/3	15	S162-9918	404	355	2/3
7	S162-1125	810	371	1/3	16	ZS3-509	350	120	2/3
8	S162-1126	810	371	1/3	17	ZS3-510	350	120	2/3
9	S162-2208	1363	397	2/3	18	ZS3-5530	382	120	2/3
					19	Lh-805	805	14	2/3

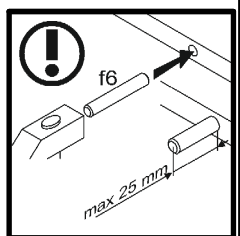
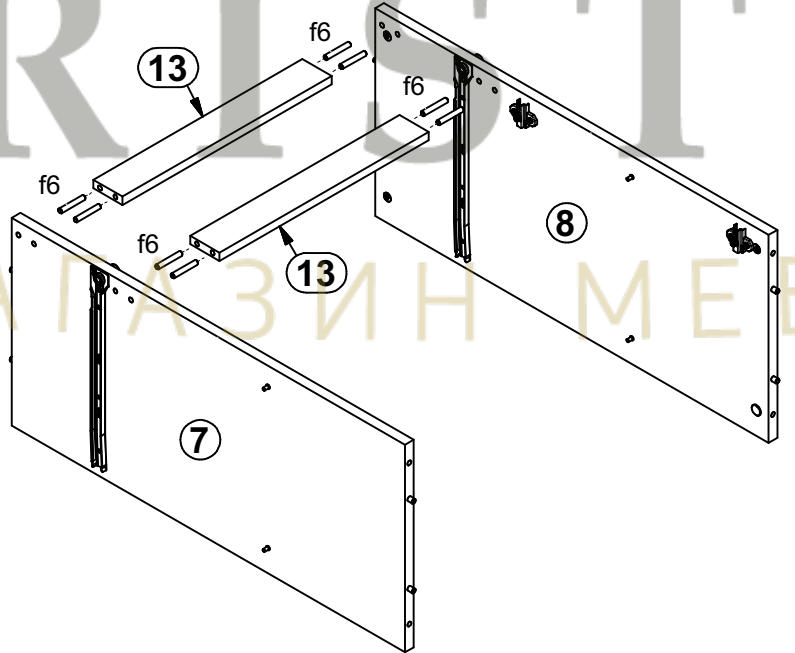


6x a68	6x b19	12x d1 5x17 mm	12x e19 11.5x9 mm	12x e2 11.5x13 mm	12x e3 11.5x13 mm	30x f1 11.5x30 mm	8x f6 11.5x50 mm	12x f25 11.5x40 mm
5x k1	90x l1	9x p38 11.5x16 mm	12x p51 11.5x15 mm	6x p54 11.5x12 mm	16x r1 11.5x12 mm #16	12x r15 11.5x10.5 mm #12	28x r42	3x s2 11.5x6 mm
3x w45\CL 350 mm	3x w45\CR 350 mm	3x w45\DL 350 mm	3x w45\DR 350 mm	1x n26\1	1x p38 11.5x16 mm			

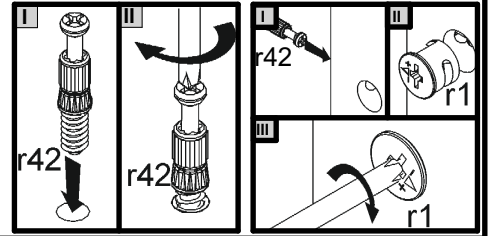
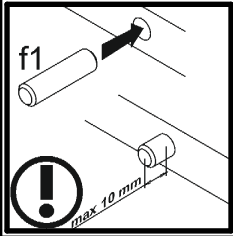
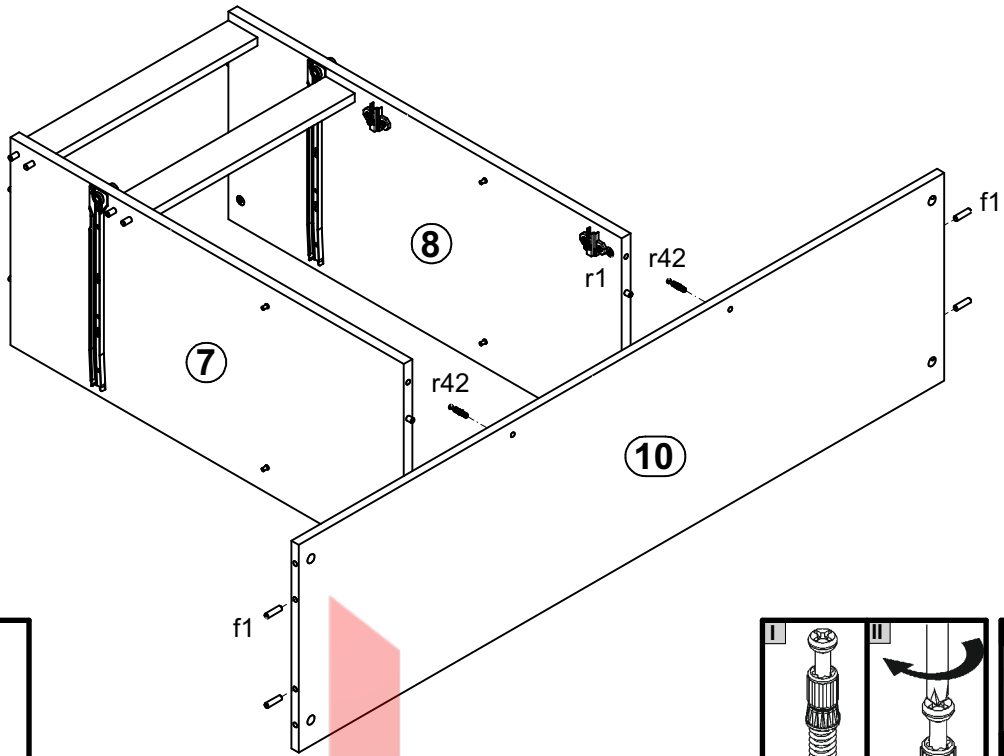
1



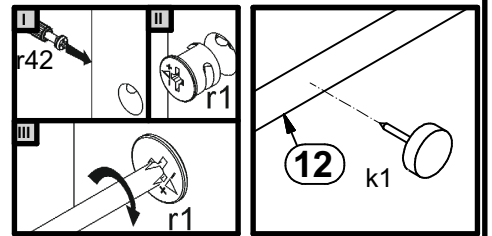
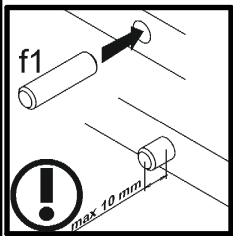
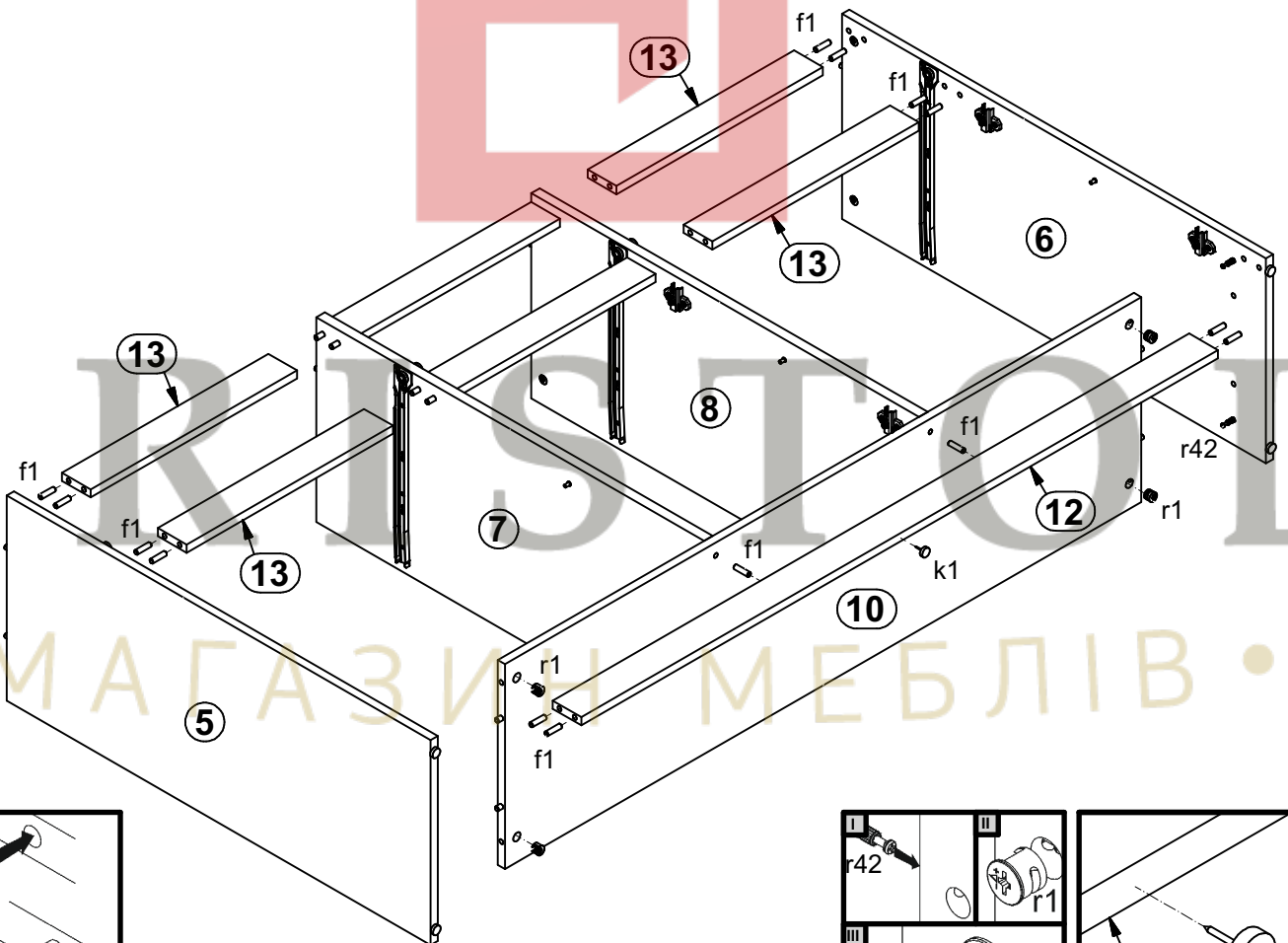
2



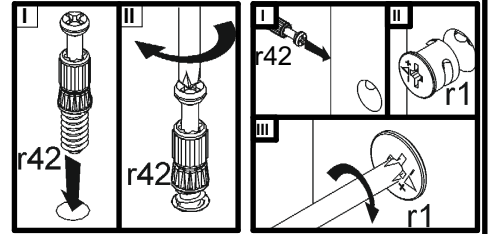
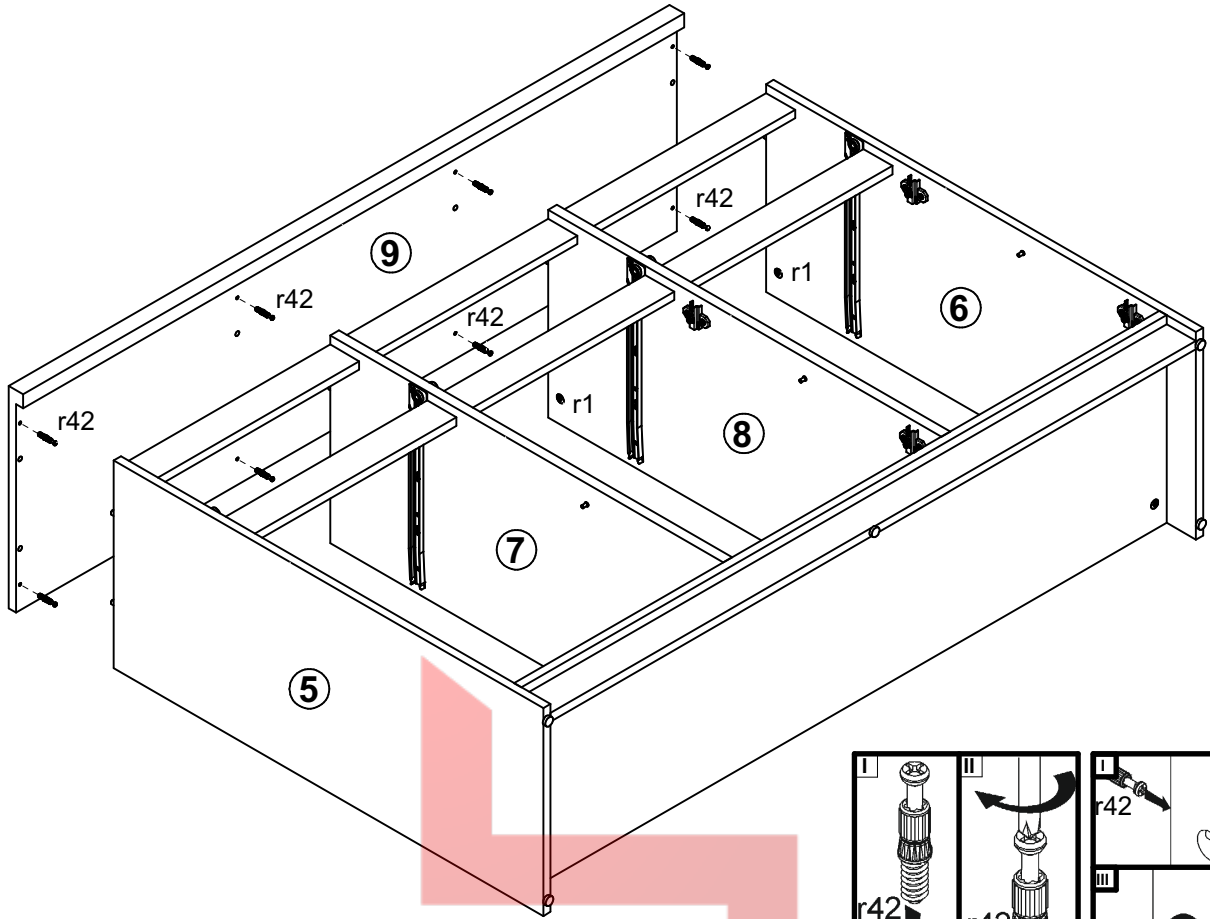
3



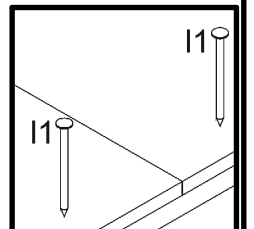
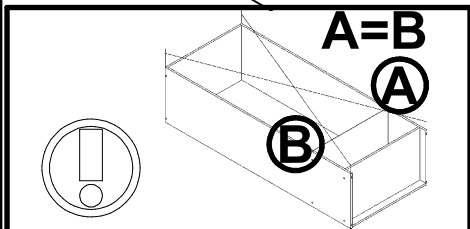
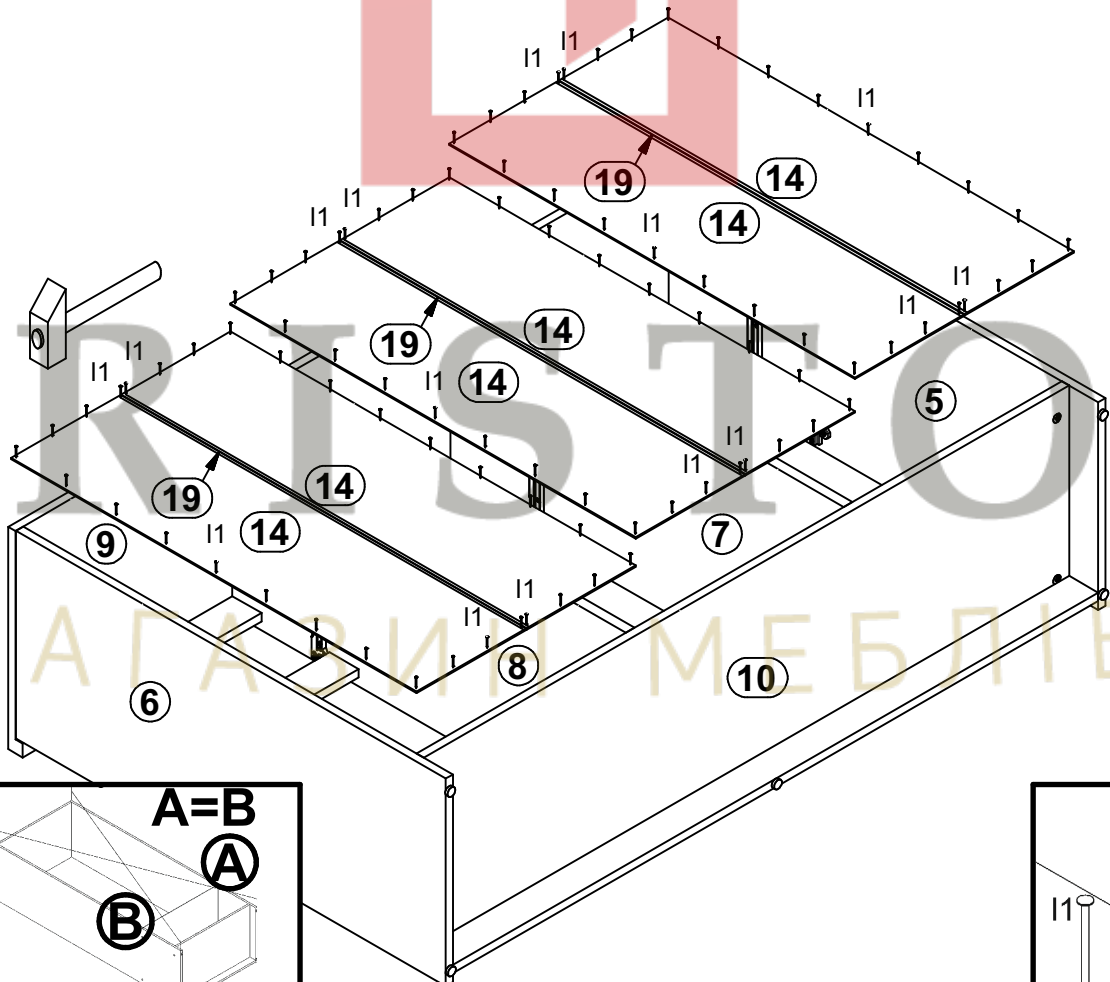
4



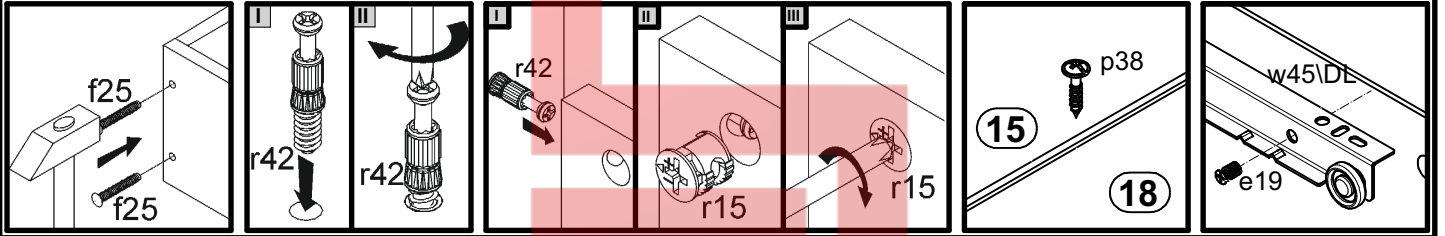
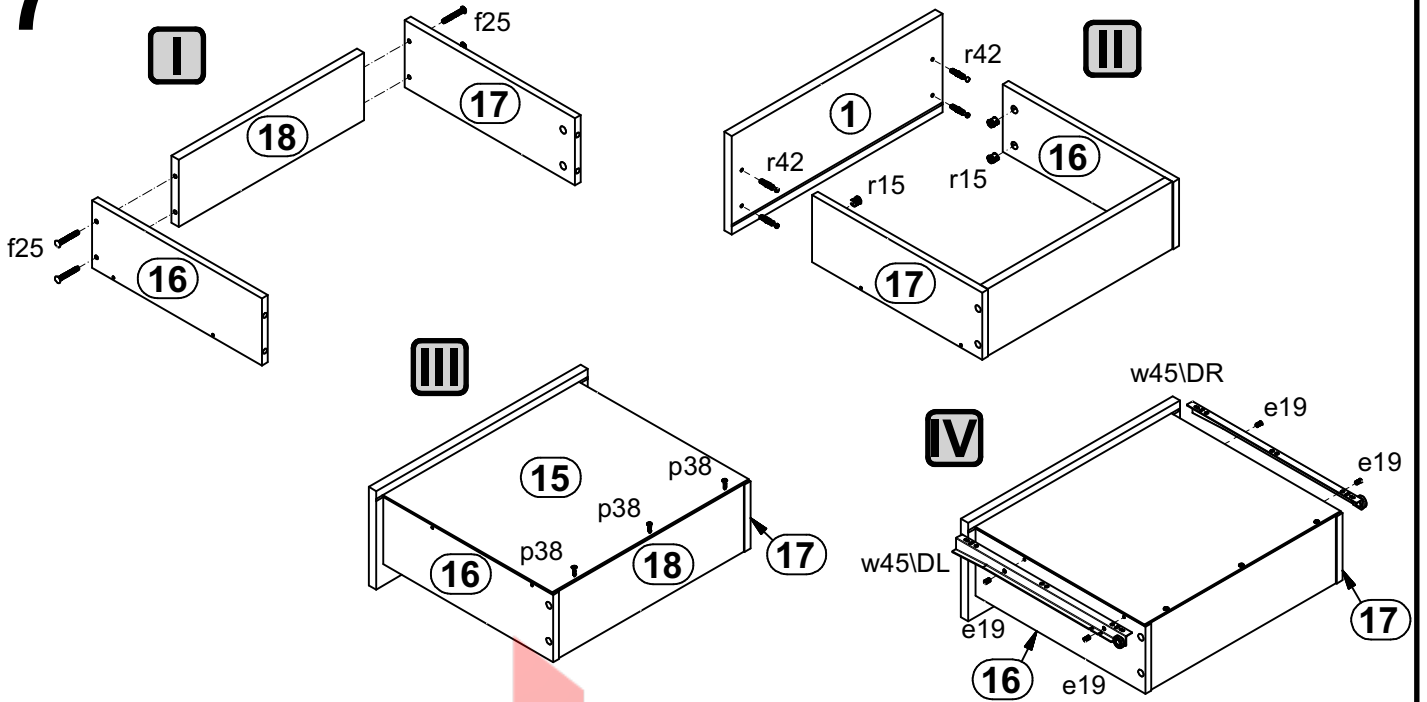
5



6



7



8

