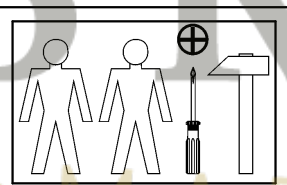
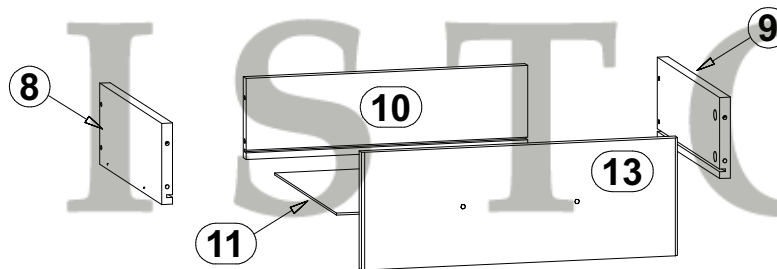
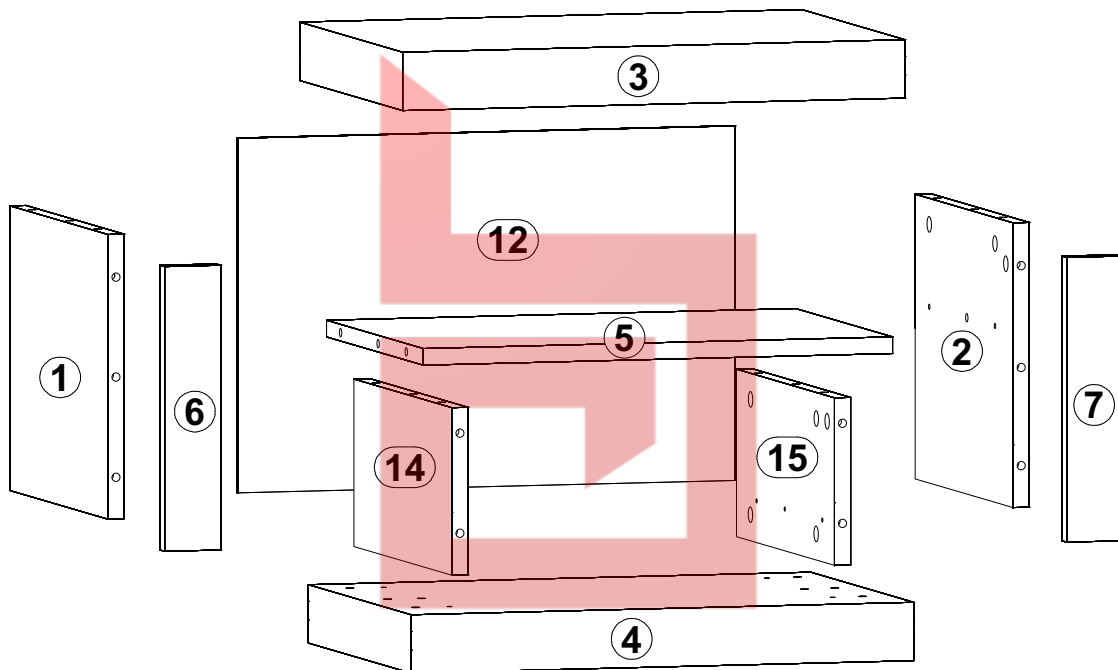
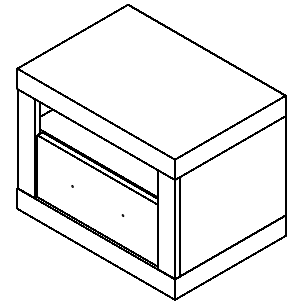


КАРМЕН

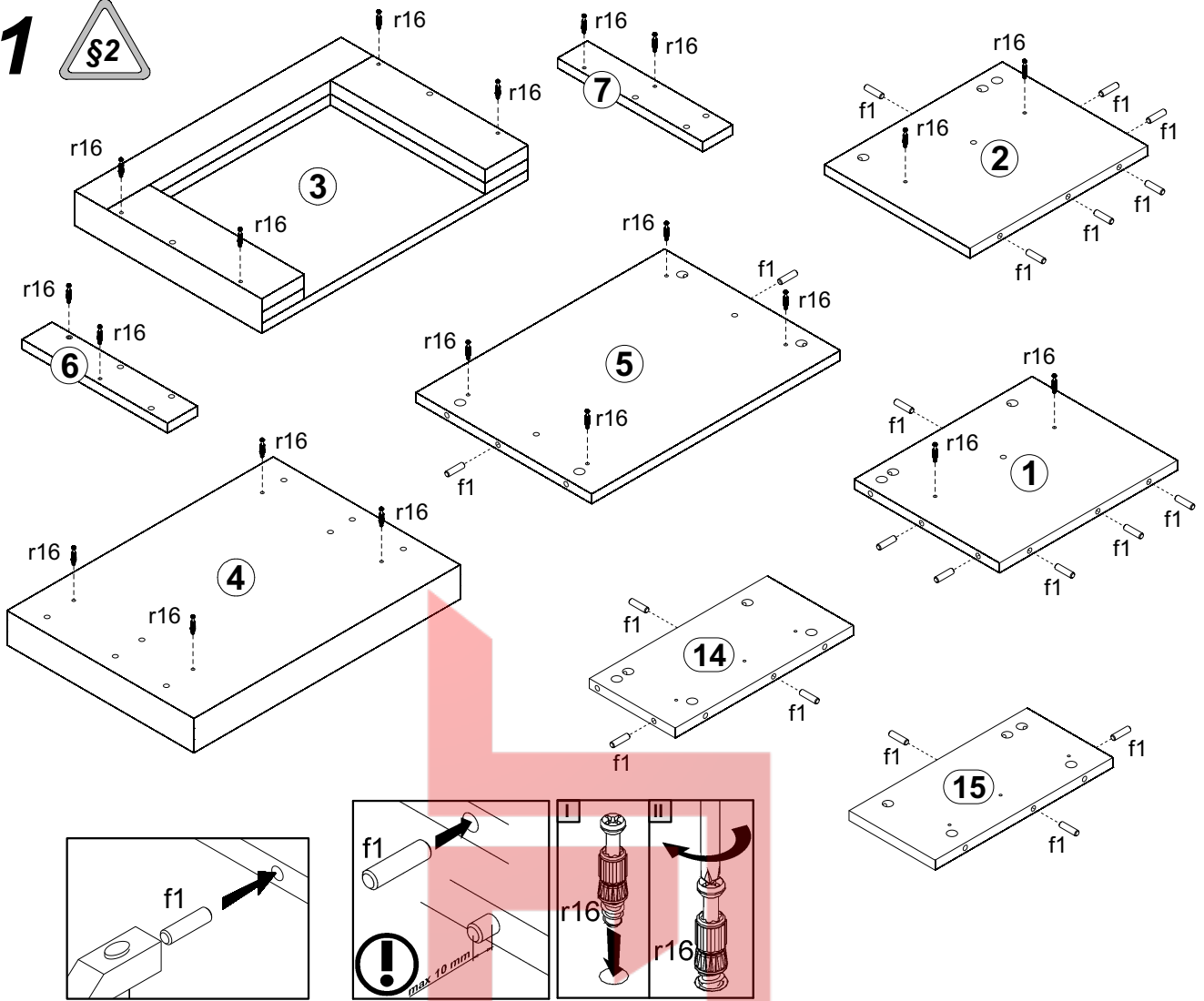
Тумба приліжкова / Тумба прикرواتная 1so

A	B	C		D
1	AZ1-173	273	334	1/2
2	AZ1-175	273	334	1/2
3	AZ1-251	502	352	1/2
4	AZ1-250	502	352	1/2
5	AZ1-333	467	330	1/2
6	AZ1-1403	273	56	1/2
7	AZ1-1402	273	56	1/2
8	AZ1-501	300	120	1/2
9	AZ1-502	300	120	1/2
10	AZ1-503	332	120	1/2
11	AZ1-902	299	347	1/2
12	AZ1-903	340	495	1/2
13	AZ1-002	383	170	2/2
14	AZ1-174	160	334	1/2
15	AZ1-176	160	334	1/2

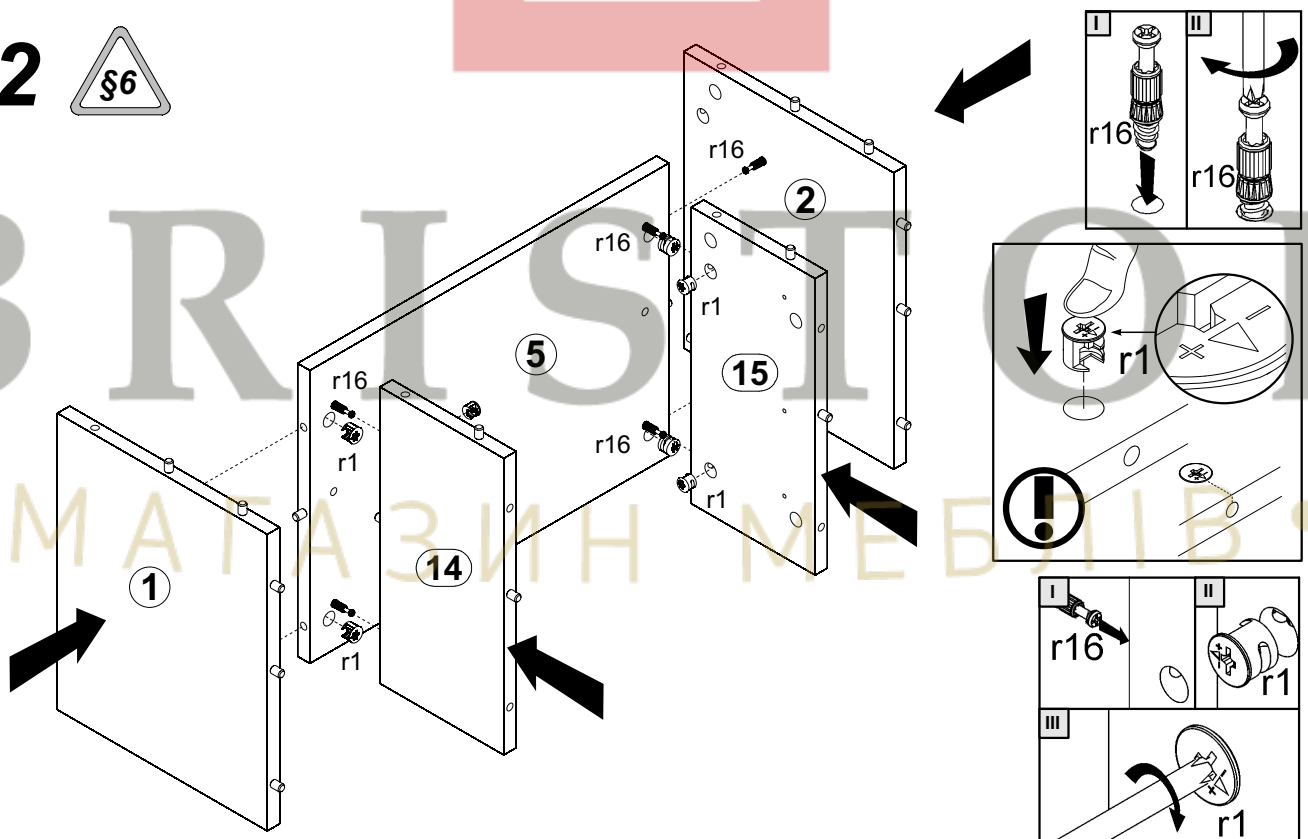


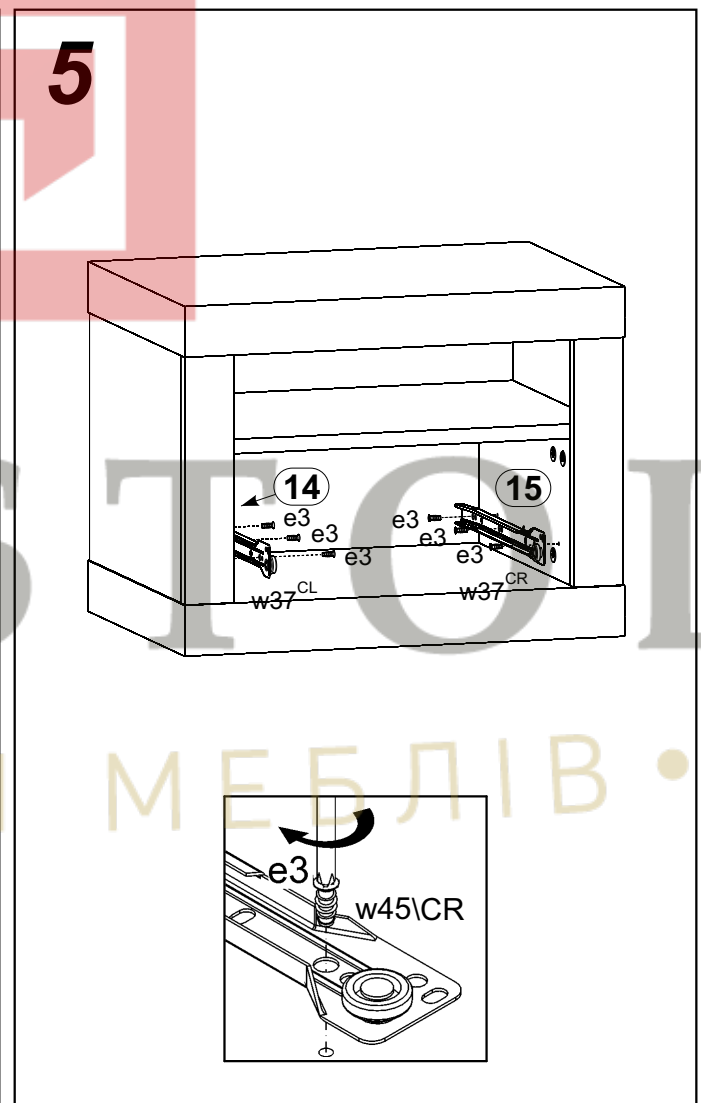
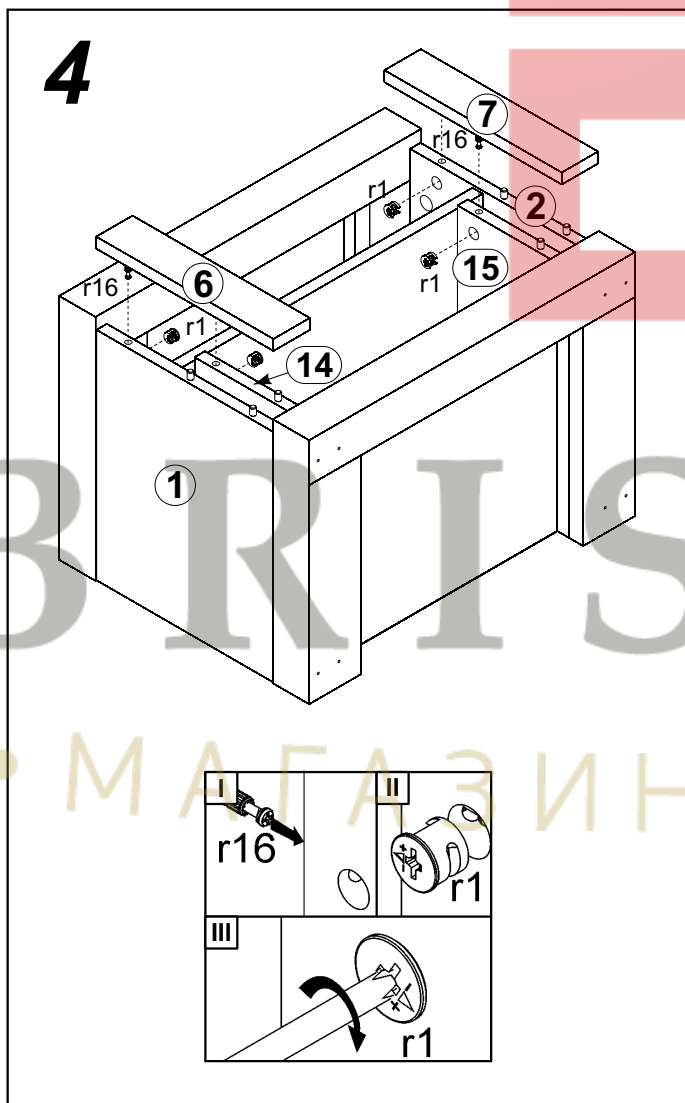
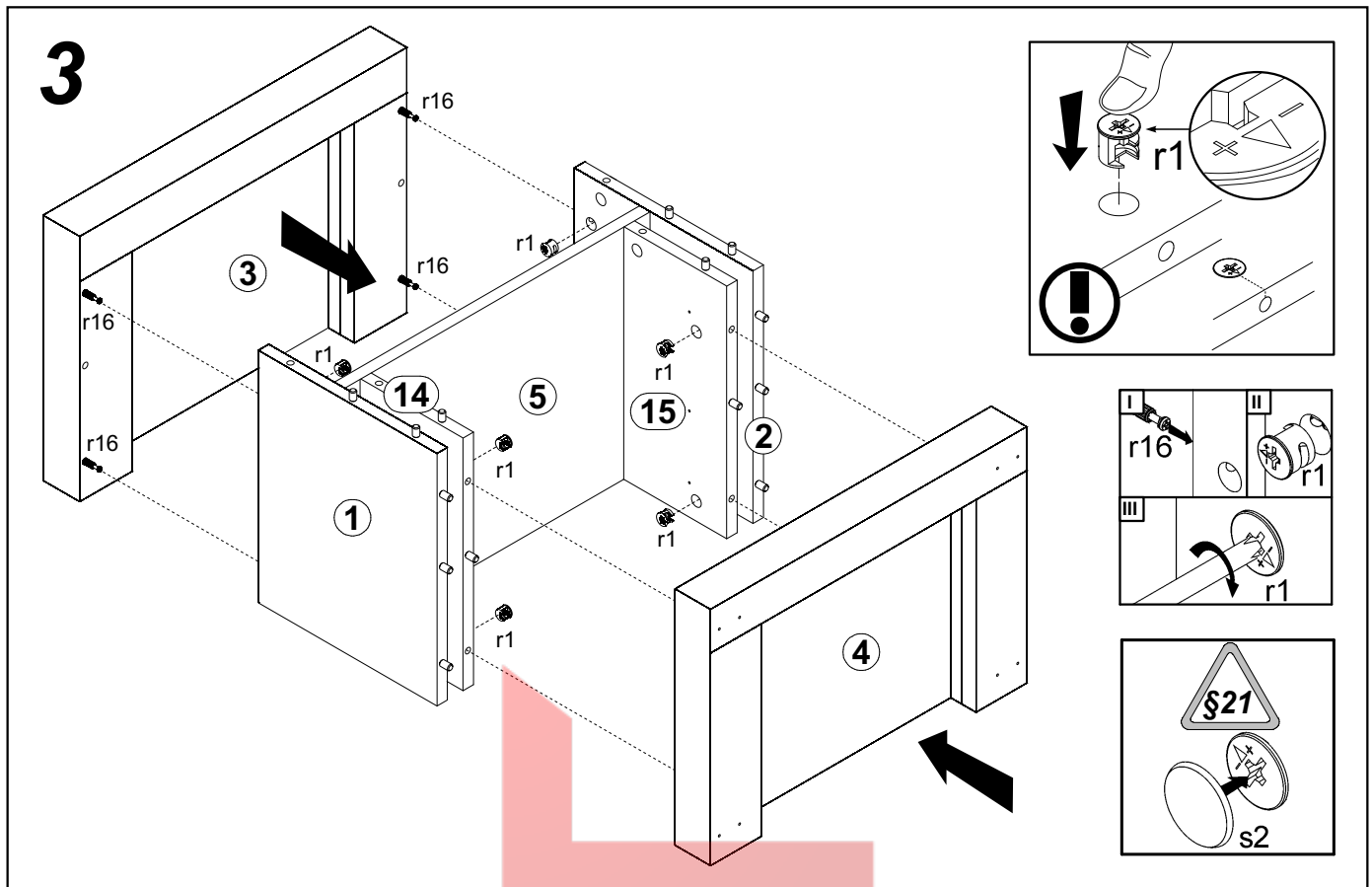
1x c399	6x Ø6x13 mm e3	4x φ5x50 mm e32	20x φ8x30 mm f1	4x 60x60 mm k99	25x l1	2x M4x22 mm j30	8x φ4x35 mm p6
4x φ3x12 mm p54	24x φ1.5x12mm #16 r1	24x r16	8x Ø16 s2	1x 300 mm w37DR	1x 300 mm w37CR	1x 300 mm w37DL	1x 300 mm w37CL

1

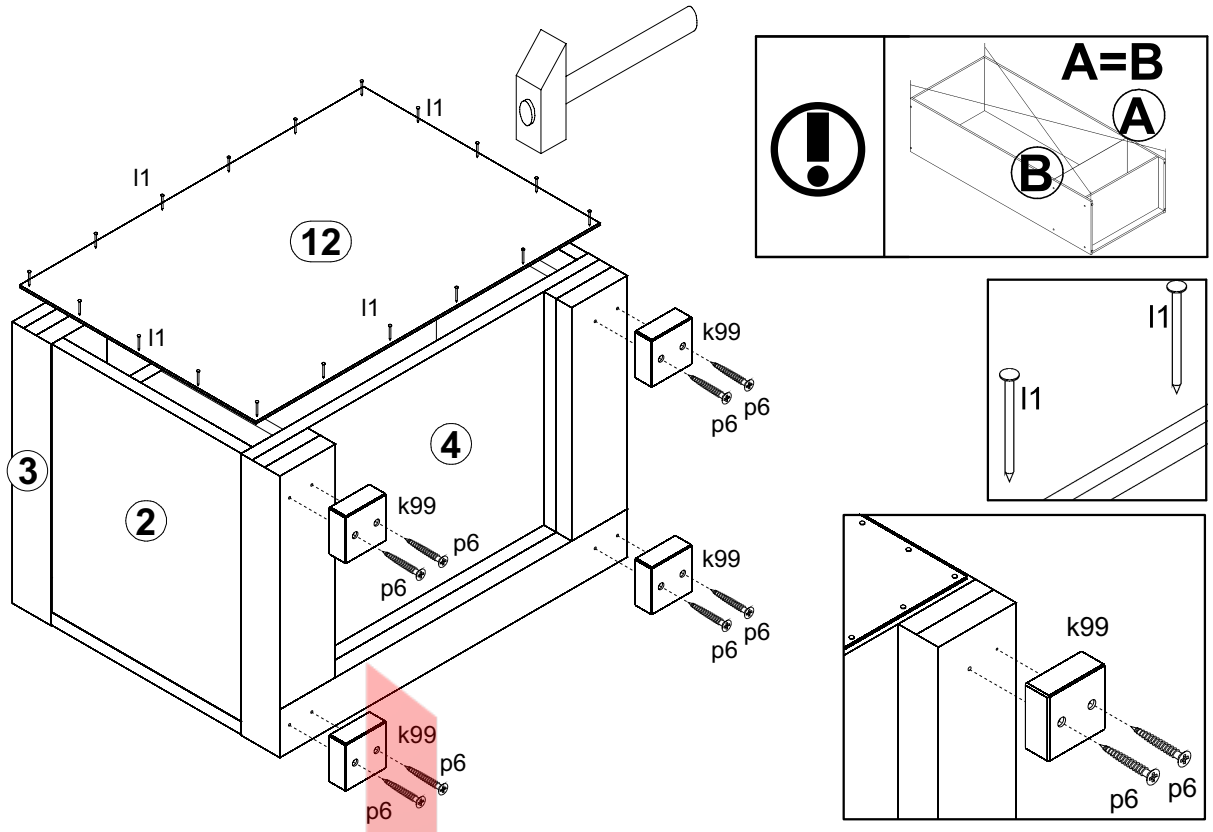


2





6



7

