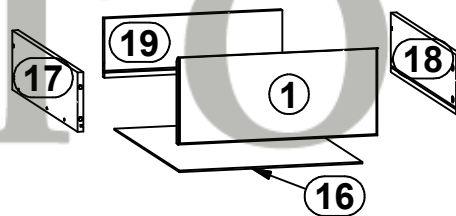
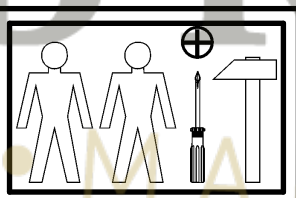
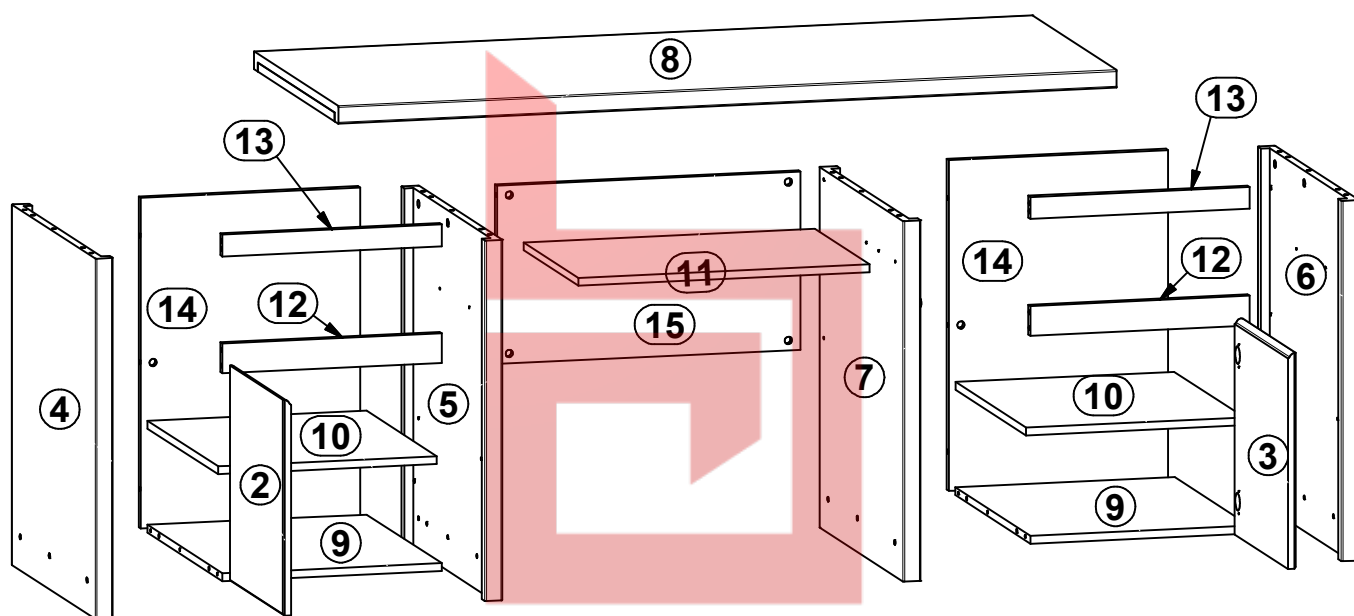
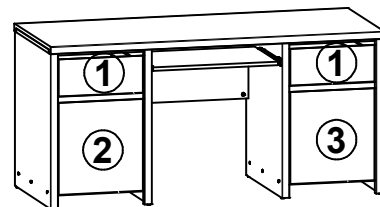


KASPIAN

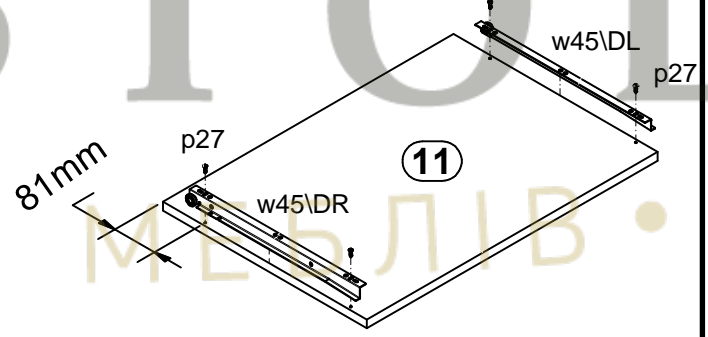
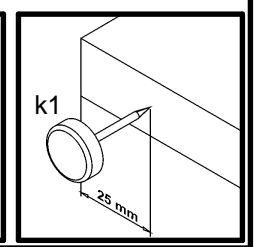
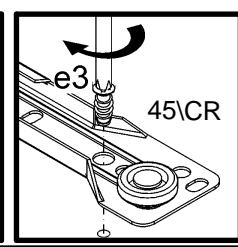
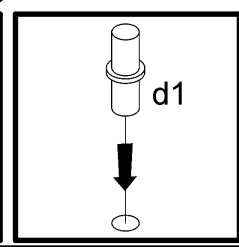
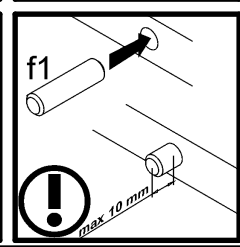
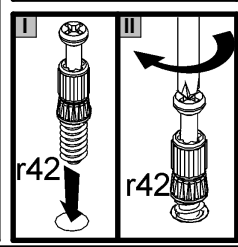
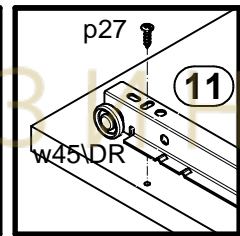
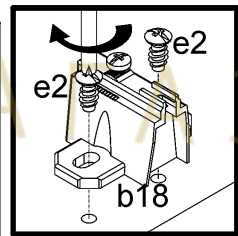
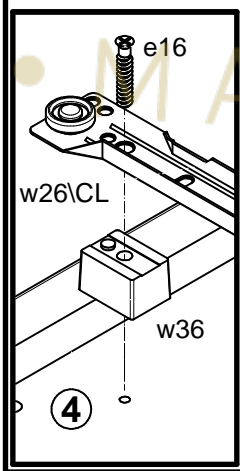
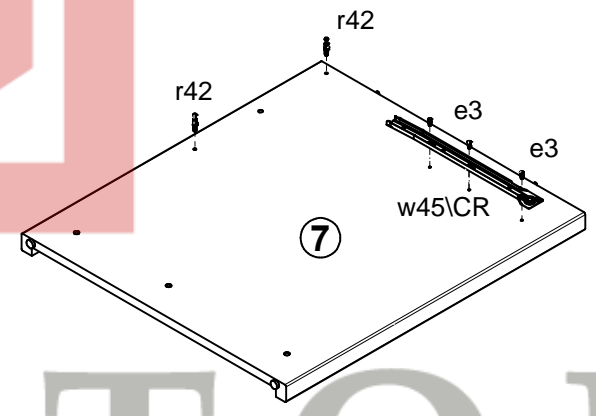
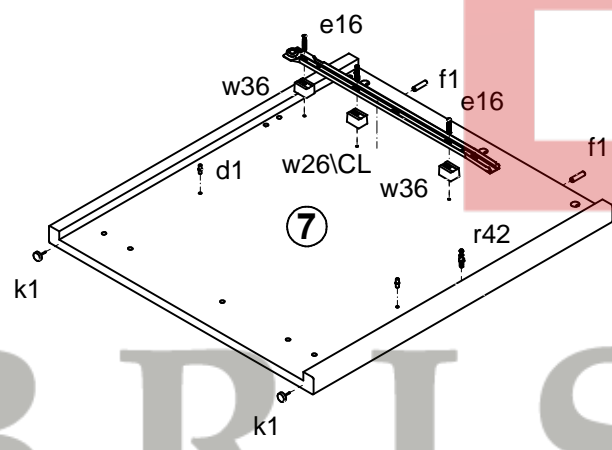
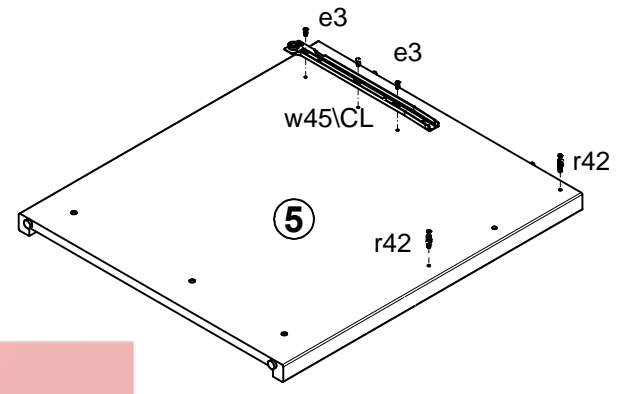
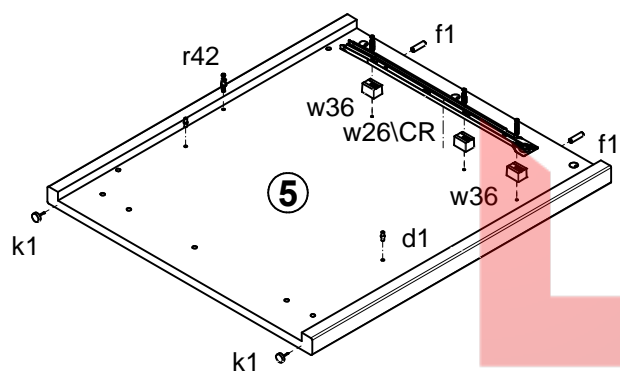
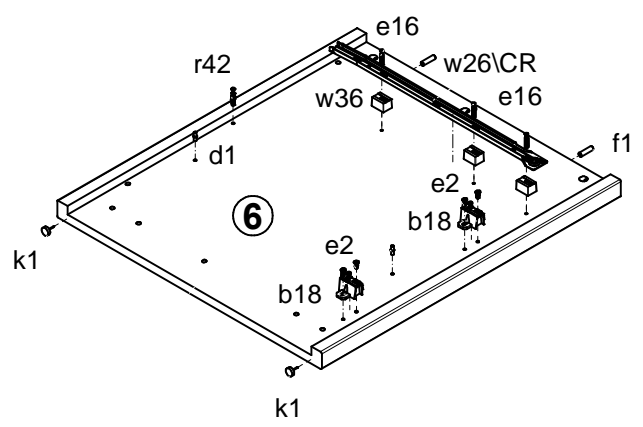
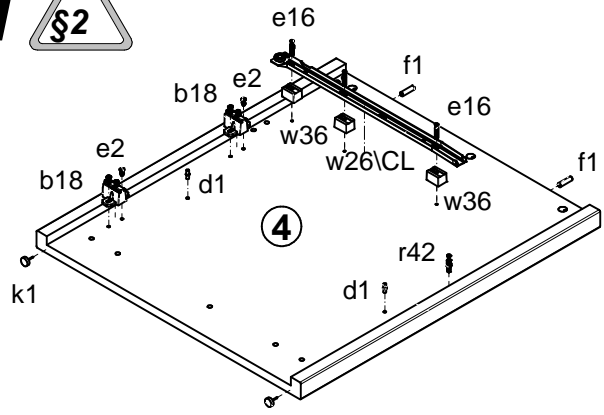
S128-BIU2D2S/160

A	B	C	D	A	B	C	D		
1	S128-019	410	176	4/4	11	S128-320	599	420	2/4
2	S128-020	410	436	4/4	12	S128-411	451	60	3/4
3	S128-021	410	436	4/4	13	S128-412	451	44	3/4
4	S128-136	728	644	1/4	14	S128-413	668	451	1/4
5	S128-137	728	644	1/4	15	S128-414	624	360	3/4
6	S128-138	728	644	1/4	16	S128-921	377	498	2/4
7	S128-139	728	644	1/4	17	ZS2-509	500	120	2/4
8	S128-211	1600	650	2/4	18	ZS2-510	500	120	2/4
9	S128-318	451	576	3/4	19	ZS2-5525	366	120	2/4
10	S128-319	450	540	3/4					

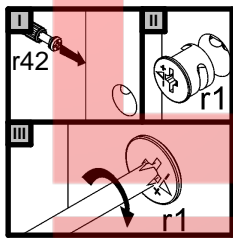
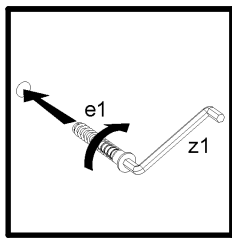
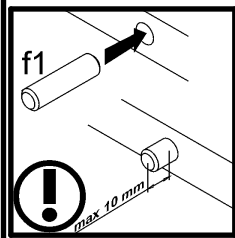
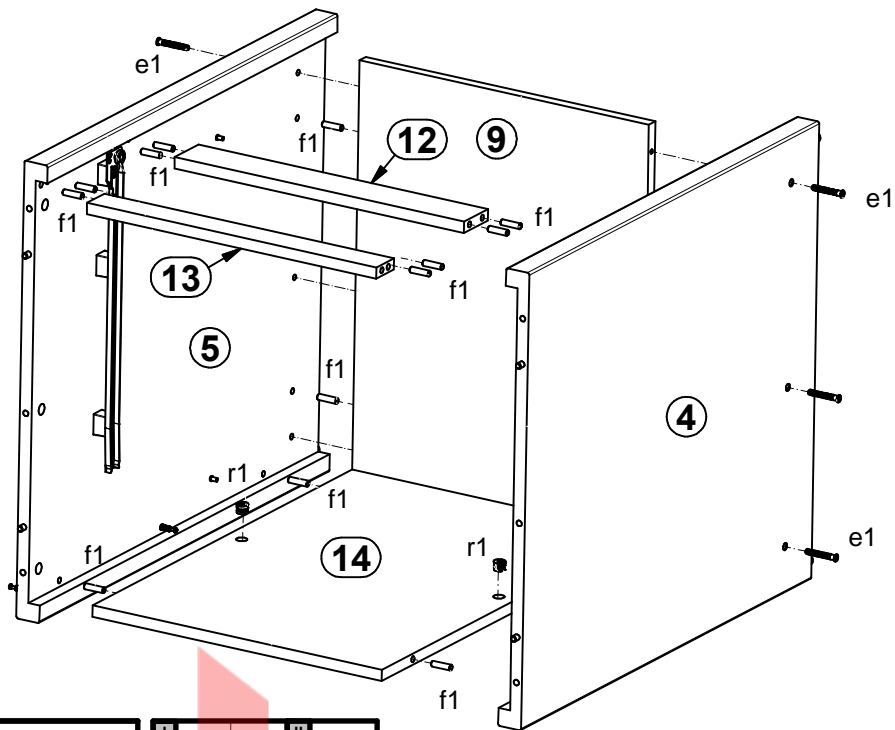


4x a43	4x b18	8x φ5x17 mm d1	12x φ7x50 mm e1	12x φ6x30 mm e16	12x φ5x9 mm e19	8x φ6,3x13 mm e2	6x φ6x13 mm e3	42x φ8x30 mm f1
8x φ6,5x40 mm f25	8x k1	4x φ3,5x13 mm p27	8x φ3,5x15 mm p51	20x φ15x12mm #16 r1	8x φ12x10,5mm #12 r15	28x r42	2x 500 mm w26 CL	2x 500 mm w26 CR
2x 500 mm w26 DL	2x 500 mm w26 DR	12x h=18 mm w36	1x 350 mm w45 CL	1x 350 mm w45 CR	1x 350 mm w45 DL	1x 350 mm w45 DR	1x z1	12x s1
8x ø16 s2								

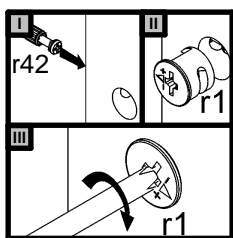
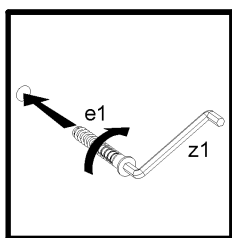
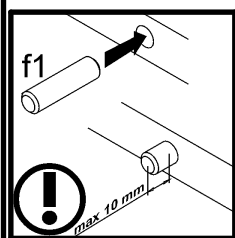
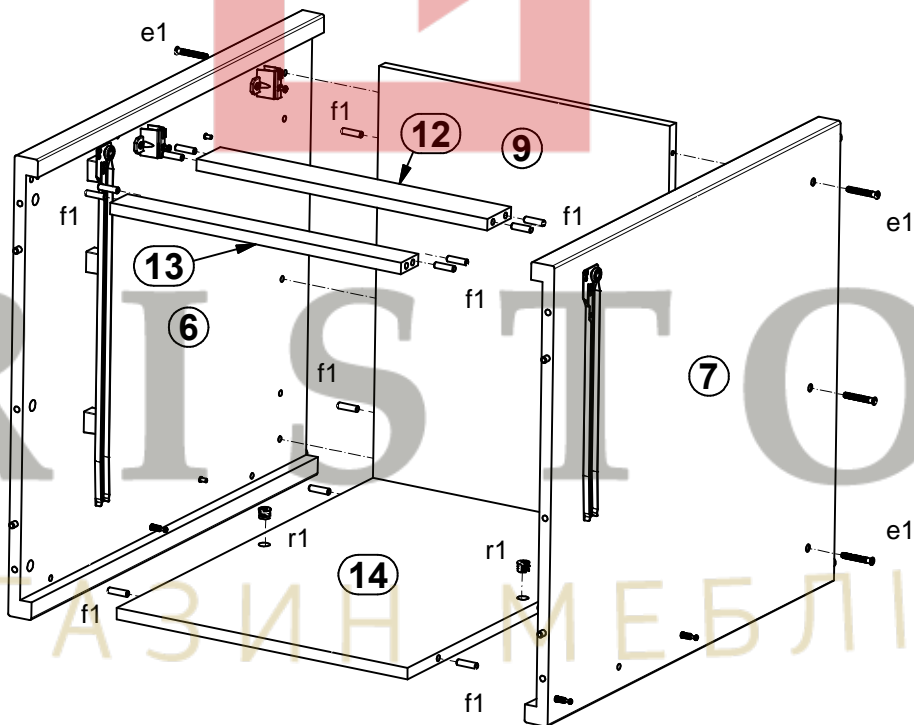
1 §2



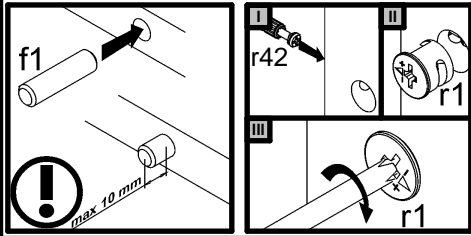
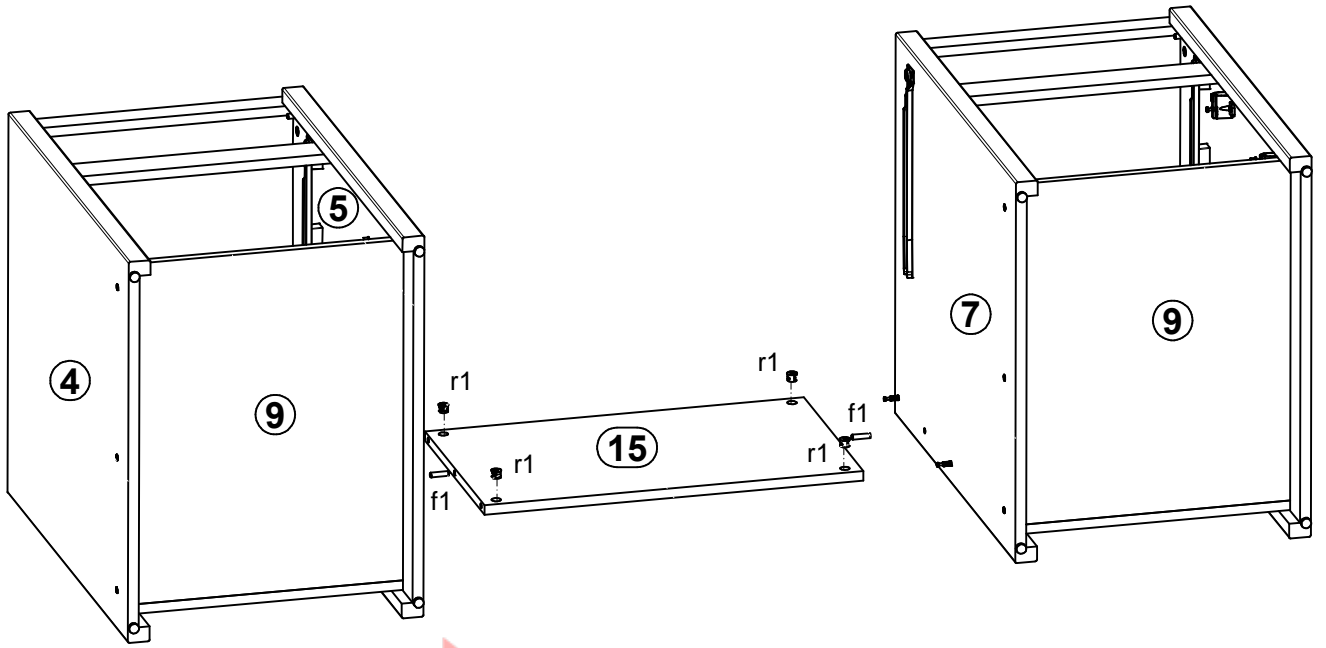
2



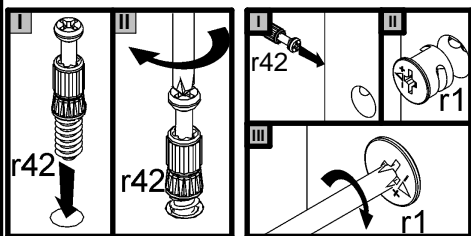
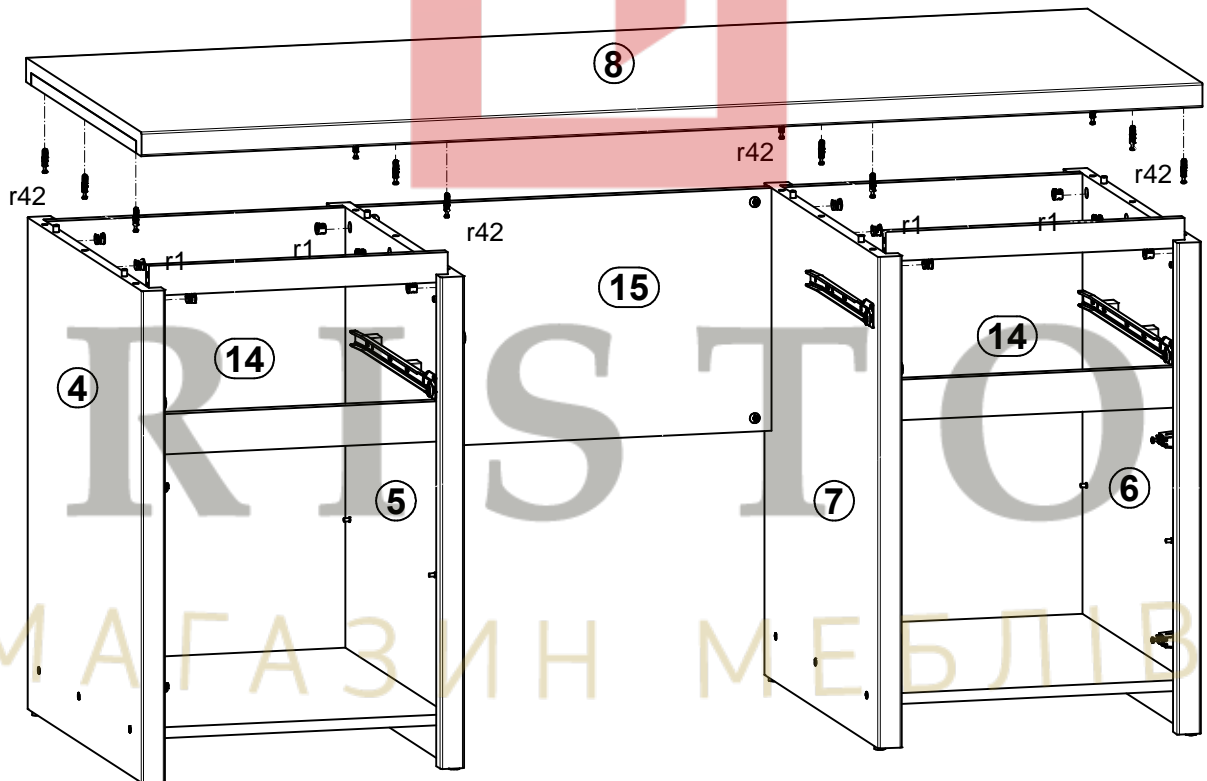
3



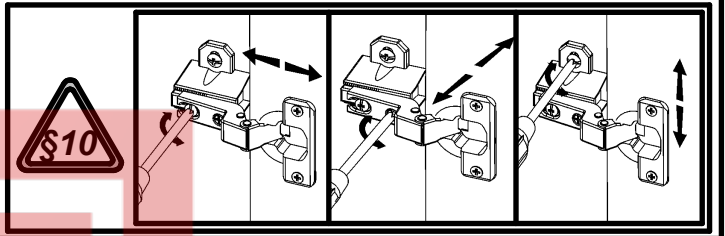
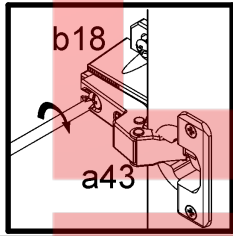
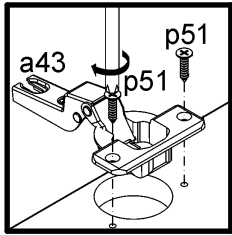
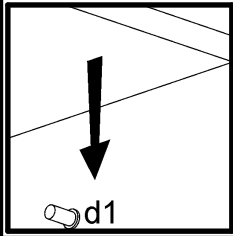
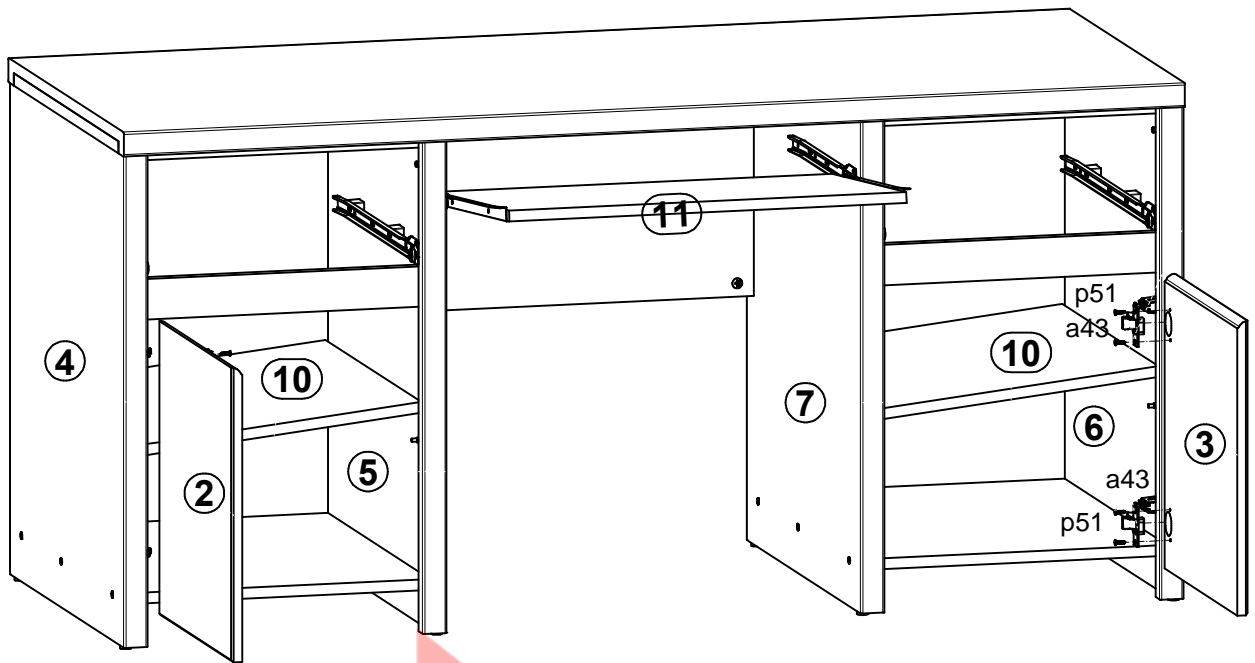
4



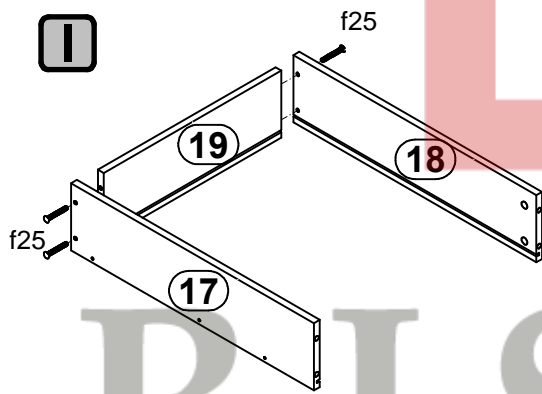
5



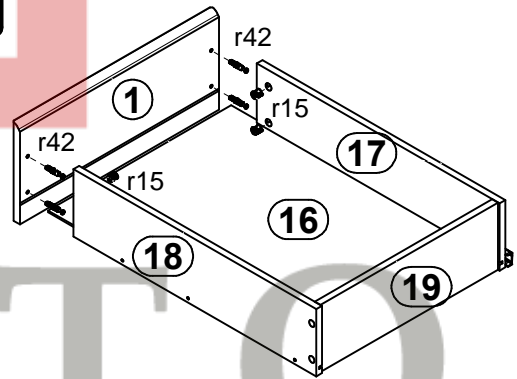
6



7



II



III

