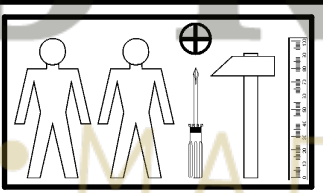
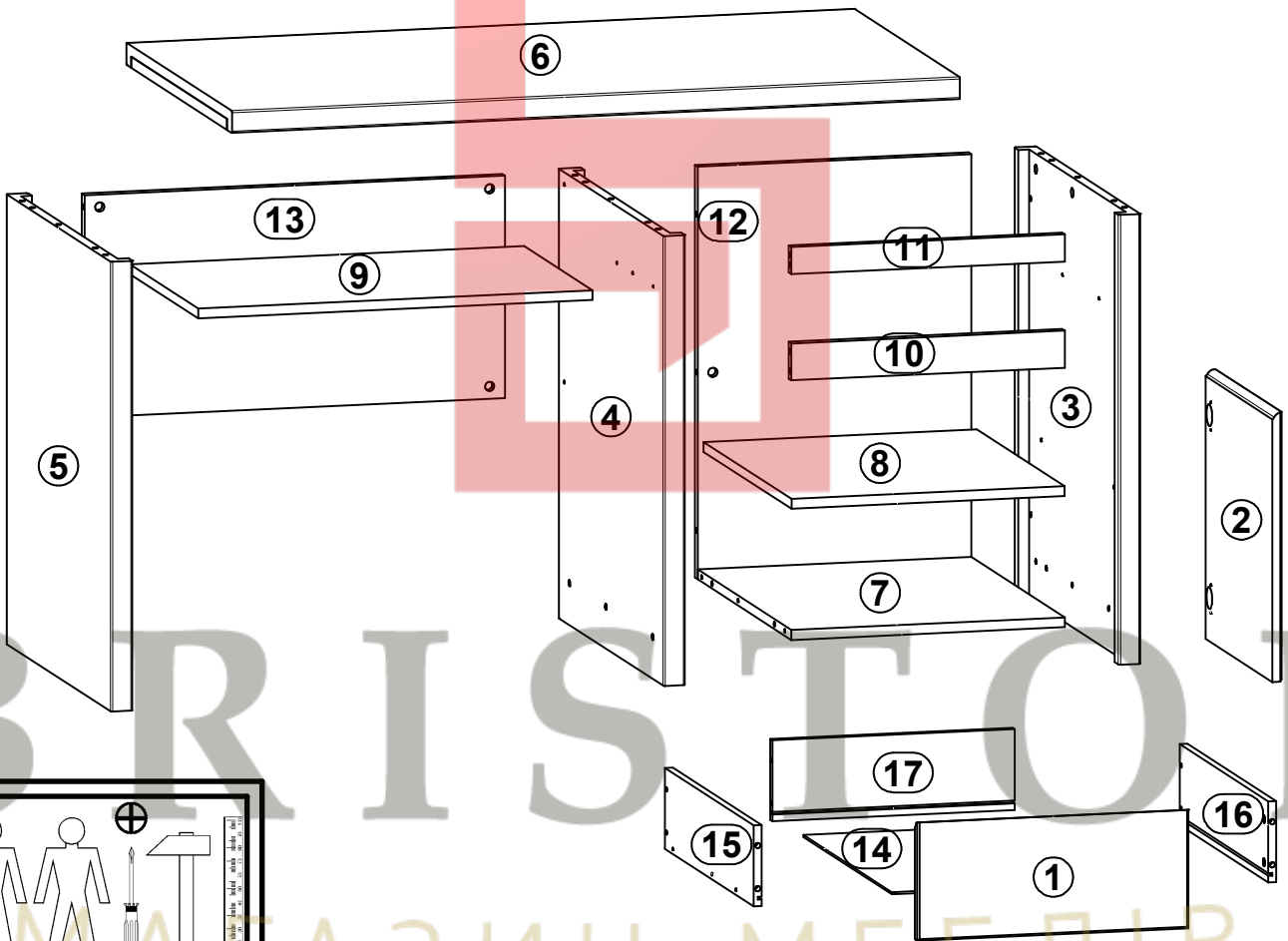
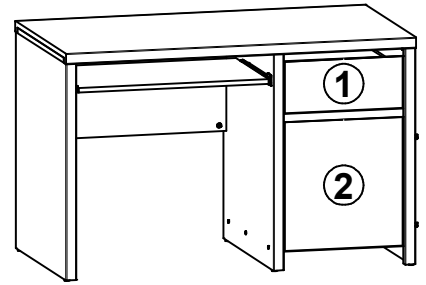


# KASPIAN

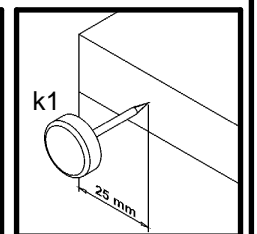
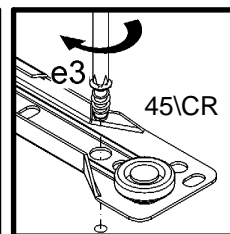
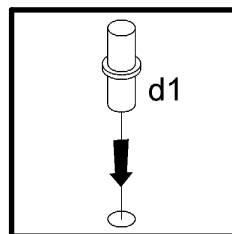
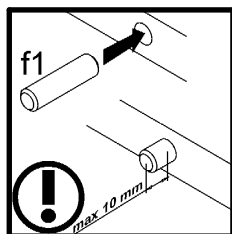
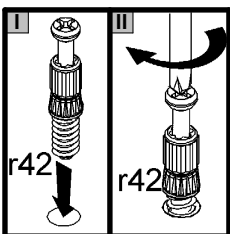
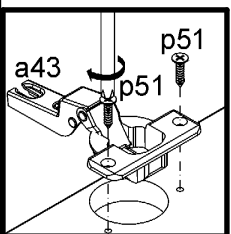
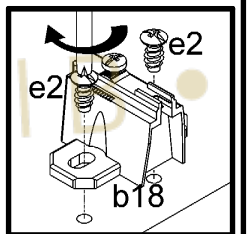
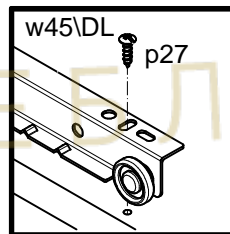
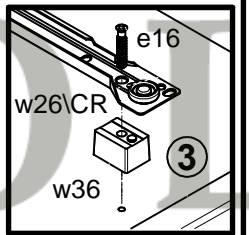
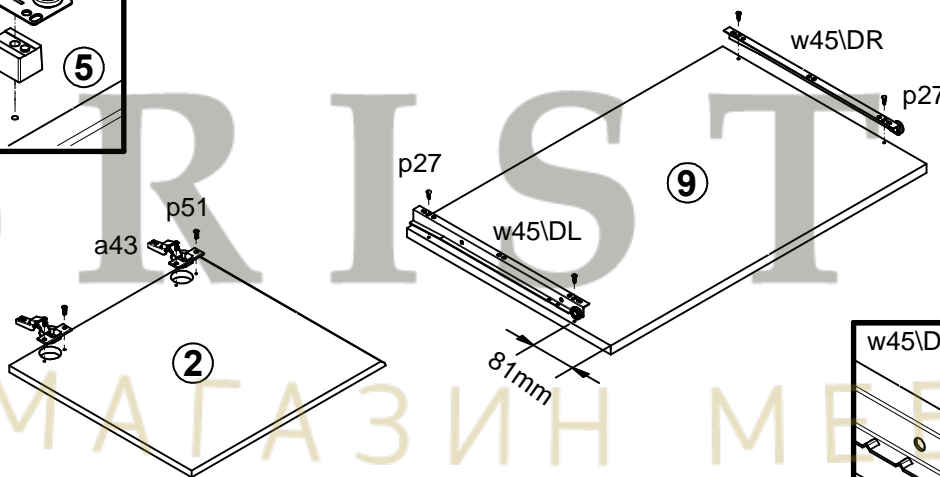
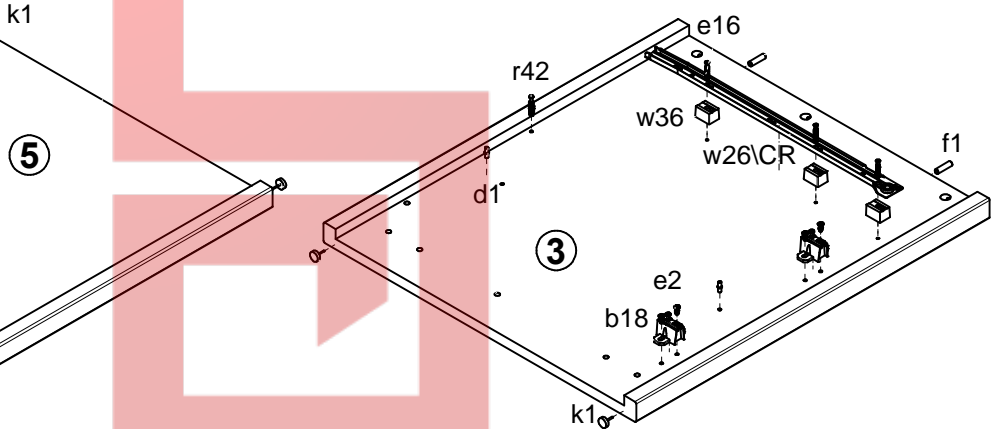
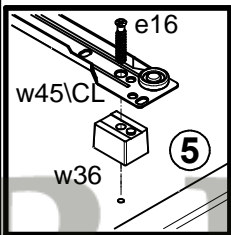
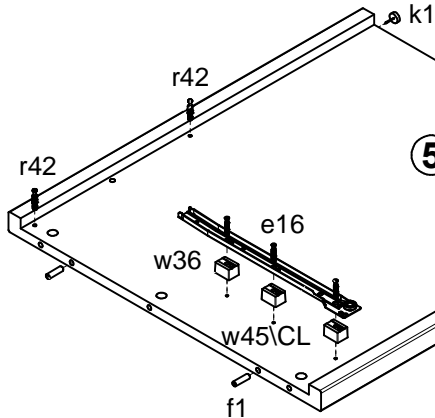
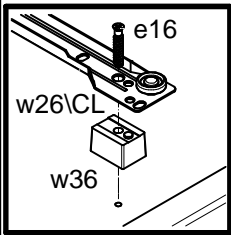
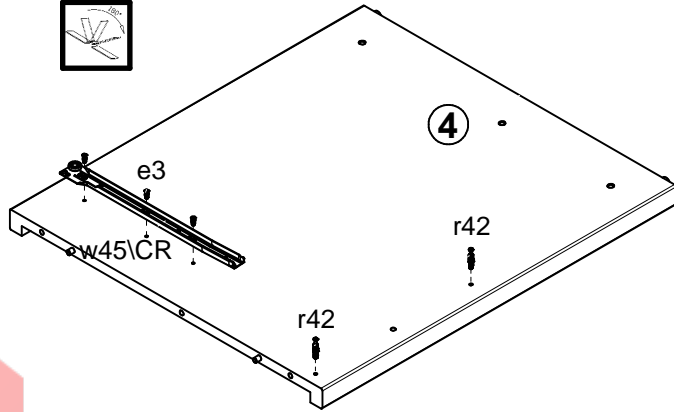
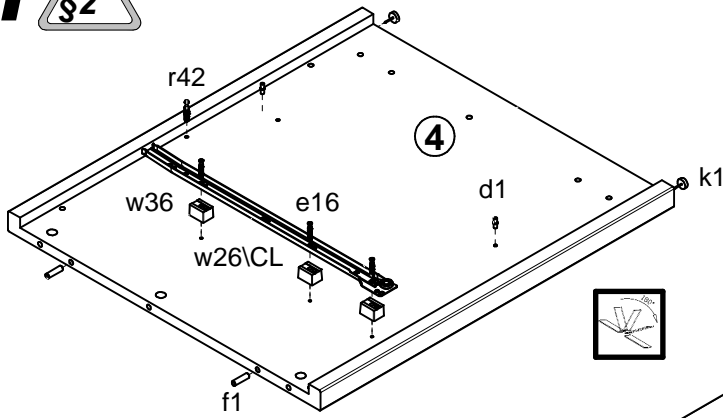
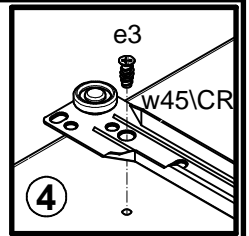
# S128-BIU1D1S/120

A	B	C	D	
1	S128-019	410	176	3/3
2	S128-021	410	436	3/3
3	S128-138	728	644	1/3
4	S128-139	728	644	1/3
5	S128-140	728	644	1/3
6	S128-212	1200	650	2/3
7	S128-318	451	576	1/3
8	S128-319	450	540	1/3
9	S128-321	650	420	2/3
10	S128-411	451	60	1/3
11	S128-412	451	44	1/3
12	S128-413	668	451	1/3
13	S128-415	693	360	1/3
14	S128-921	377	498	2/3
15	ZS2-509	500	120	2/3
16	ZS2-510	500	120	2/3
17	ZS2-5525	366	120	2/3

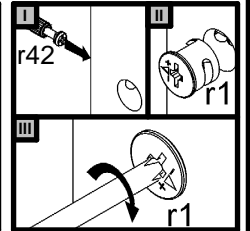
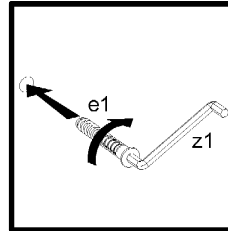
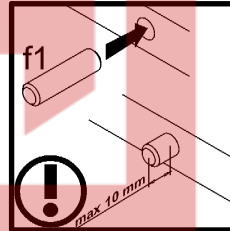
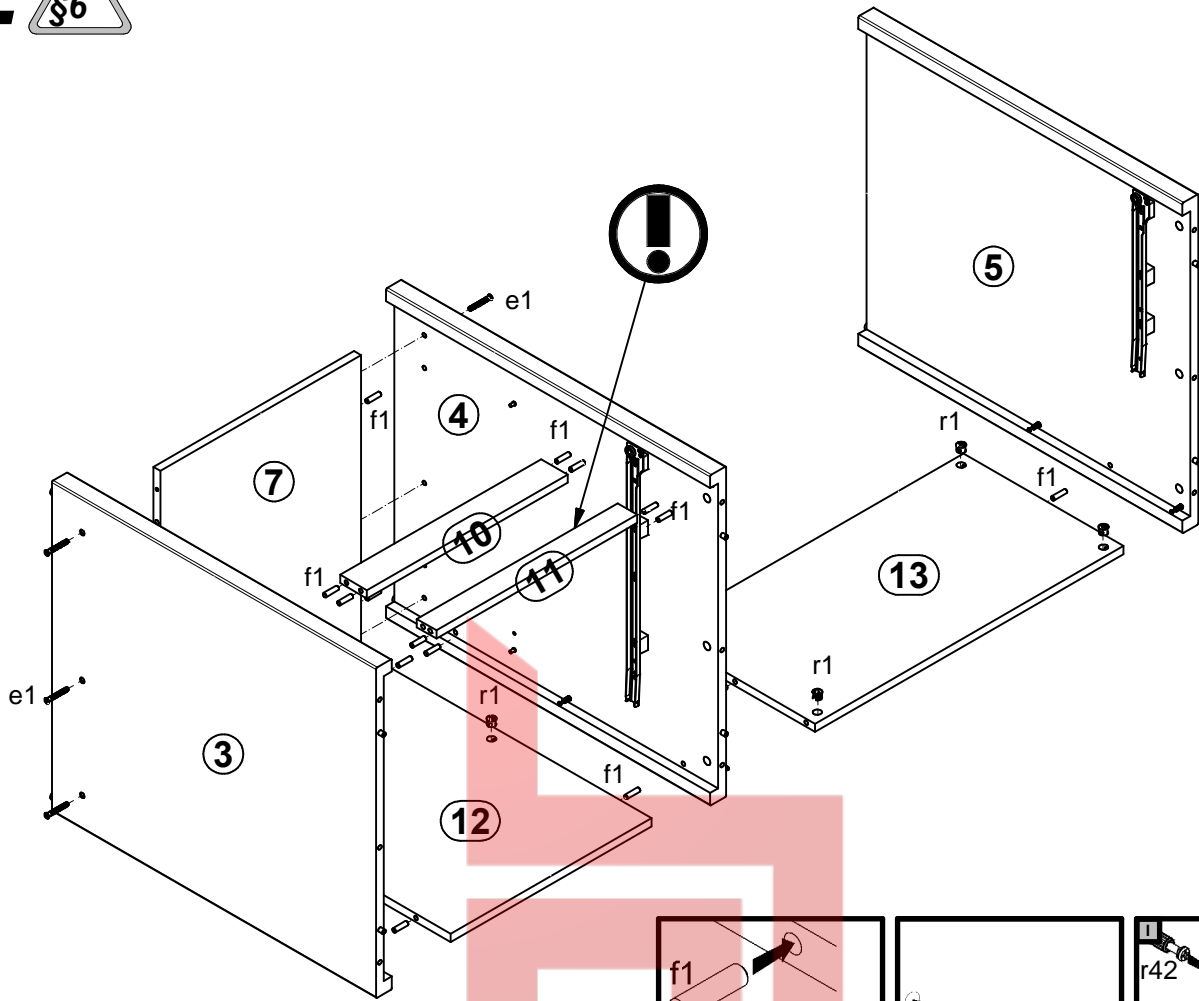


2x  a43	2x  b18	4x  φ5x17 mm d1	6x  φ7x50 mm e1	9x  φ6x30 mm e16	6x  φ5x9 mm e19	4x  φ6,3x13 mm e2	3x  φ6x13 mm e3	24x  φ8x30 mm f1
4x  φ6,5x40 mm f25	6x  k1	4x  φ3,5x15 mm p51	15x  φ1,5x12mm #16 r1	4x  φ1,2x10,5mm #12 r15	19x  r42	1x  500 mm w26 CL	1x  500 mm w26 CR	1x  500 mm w26 DL
1x  500 mm w26 DR	9x  h=18 mm w36	1x  350 mm w45 CL	1x  350 mm w45 CR	1x  350 mm w45 DL	1x  350 mm w45 DR	4x  φ3,5x13 mm p27	1x  z1	6x  s1
7x  φ16 s2								

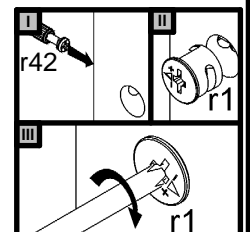
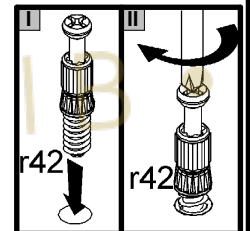
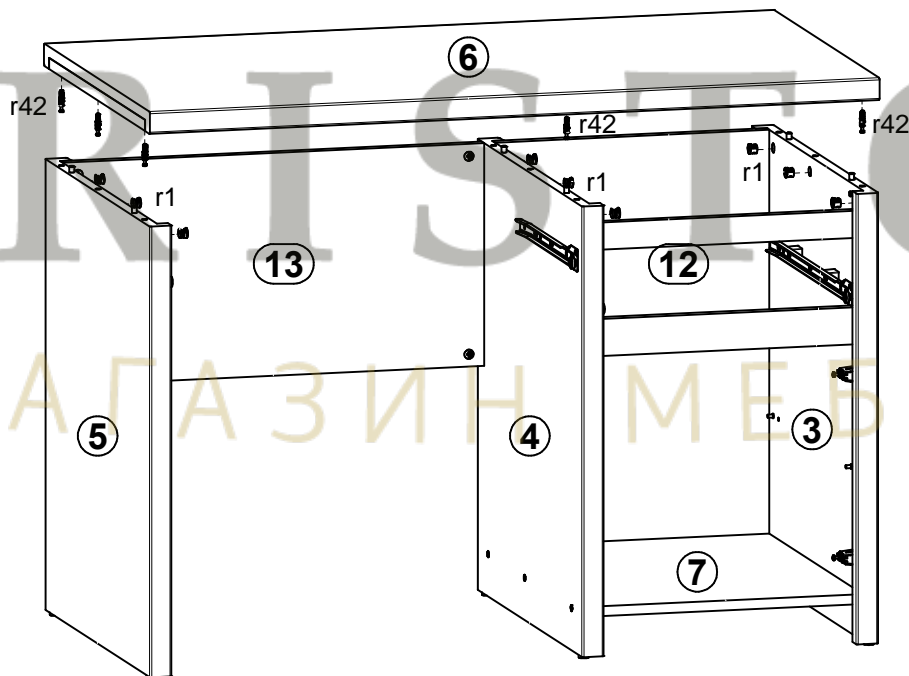
1 



# 2

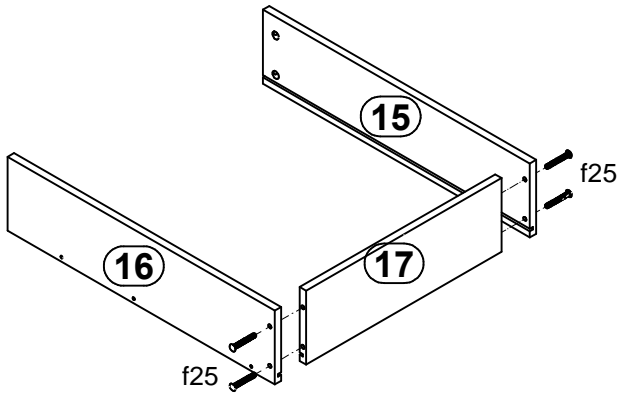


# 3

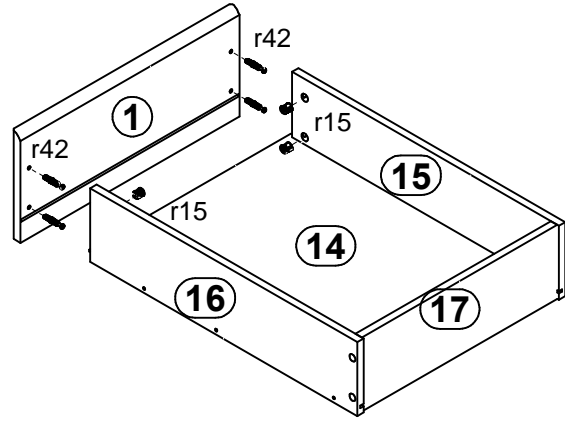


# 3

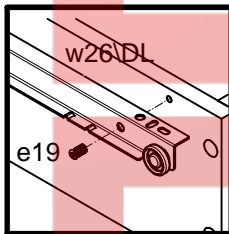
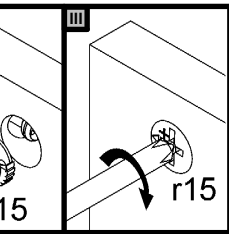
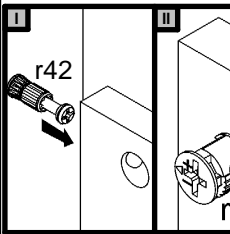
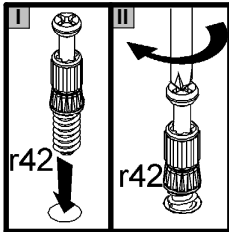
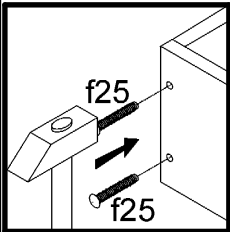
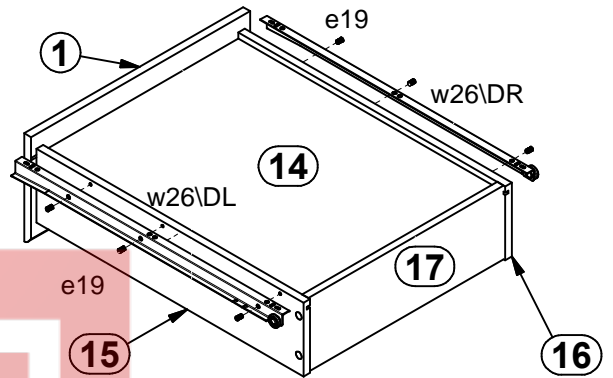
## I



## II



## III



# 4

