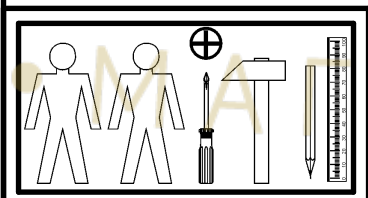
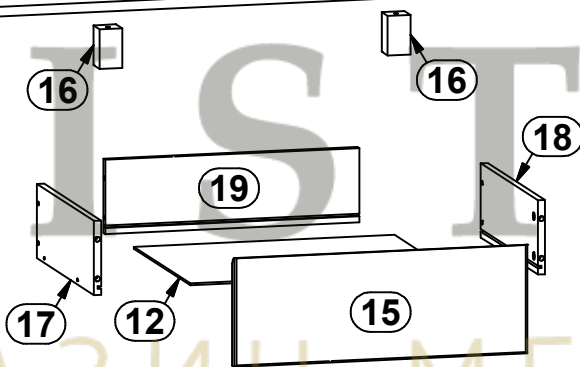
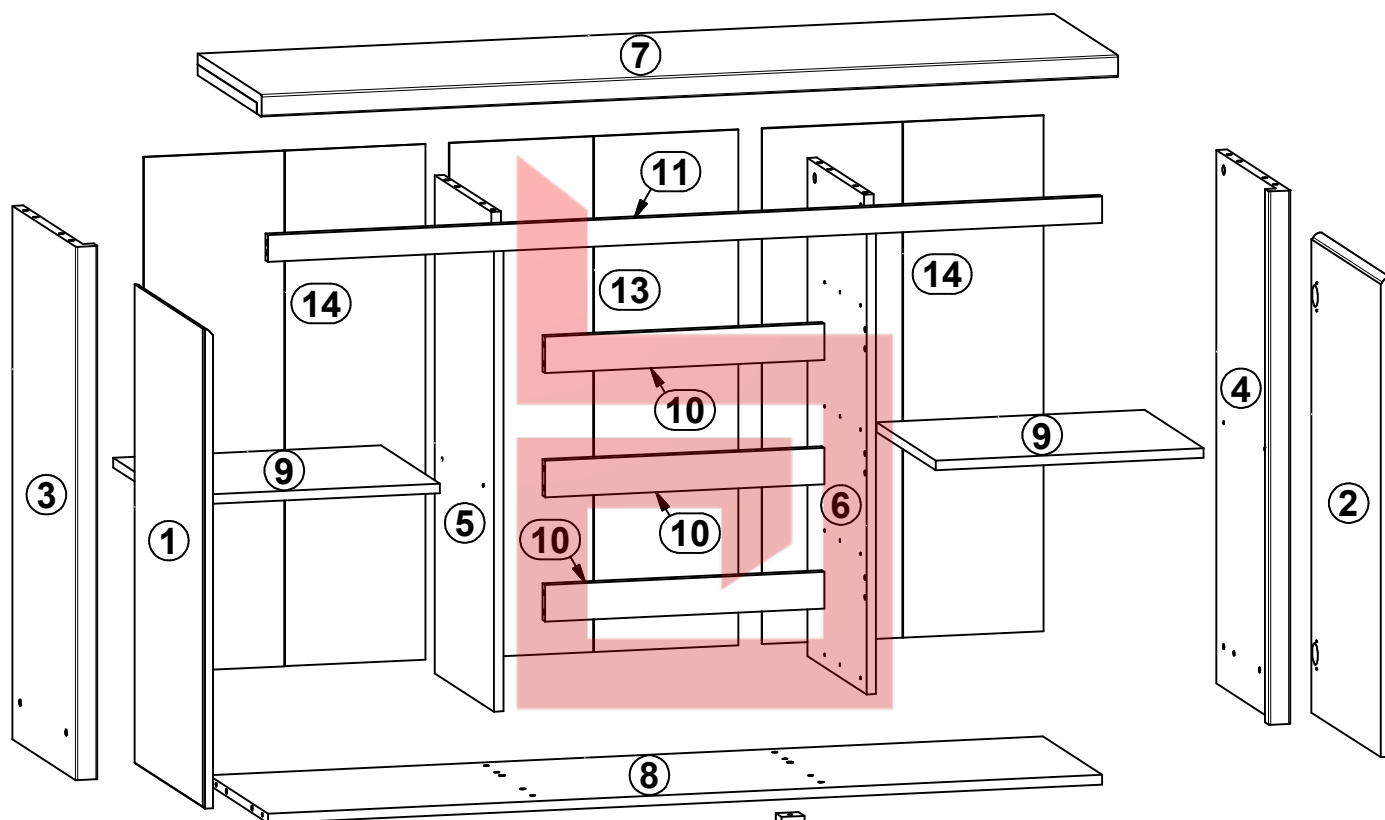
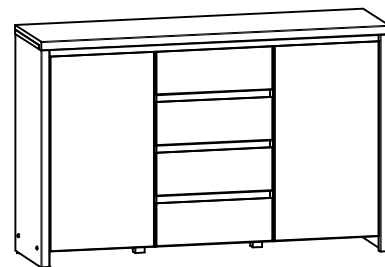


KASPIAN

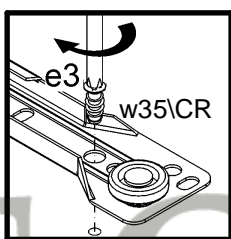
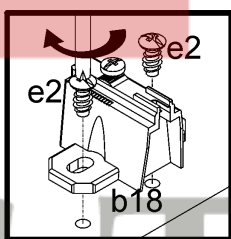
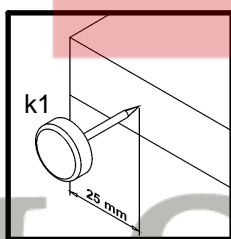
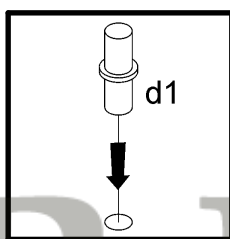
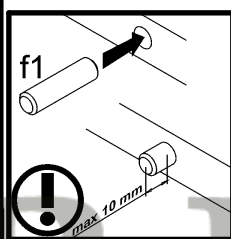
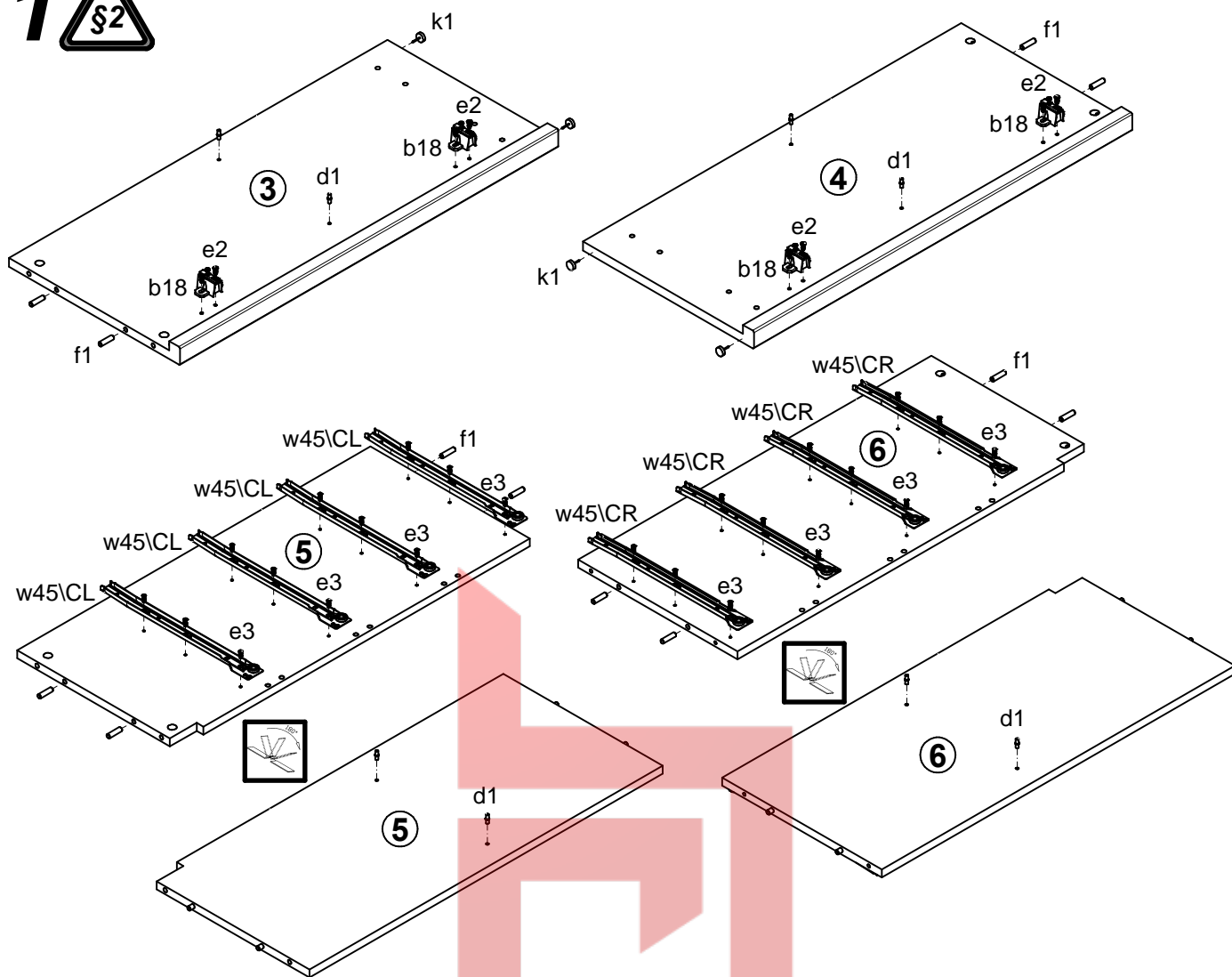
S128-KOM2D4S

A	B	C	D	A	B	C	D		
1	S128-008	788	432	4/4	11	S128-406	1395	44	2/4
2	S128-009	788	432	4/4	12	S128-901	429	348	2/4
3	S128-107	876	396	1/4	13	S128-908	847	483	1/4
4	S128-108	876	396	1/4	14	S128-909	847	471	1/4
5	S128-109	818	369	1/4	15	S83-005	482	176	3/4
6	S128-110	818	369	1/4	16	ZN1-501	65	38	1/4
7	S128-204	1432	399	2/4	17	ZS2-511	350	120	1/4
8	S128-302	1395	370	2/4	18	ZS2-512	350	120	1/4
9	S128-305	448	368	2/4	19	ZS2-5521	418	120	1/4
10	S128-404	467	60	1/4					

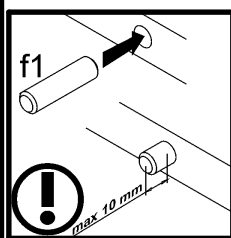
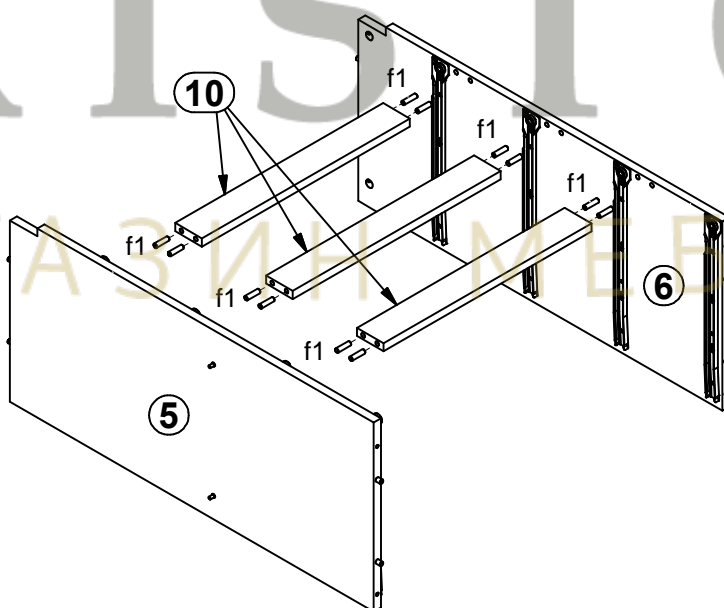


4x a43	4x b18	8x d1 φ5x17 mm	10x e1 φ7x50 mm	16x e19 φ5x9 mm	8x e2 φ6,3x13 mm	24x e3 φ6x13 mm	32x f1 φ8x30 mm	16x f25 φ6,5x40 mm
4x k1	90x l1	8x p51 φ3,5x15 mm	8x r1 φ1,5x12mm #16	16x r15 φ12x10,5mm #12	24x r42	4x s1	4x w45 CL 350 mm	4x w45 CR 350 mm
4x w45 DL 350 mm	4x w45 DR 350 mm	4x s2 φ16	1x z1	1x n26 1	1x p38 φ3,5x16 mm			

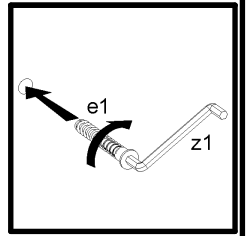
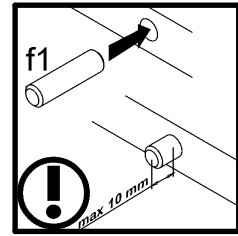
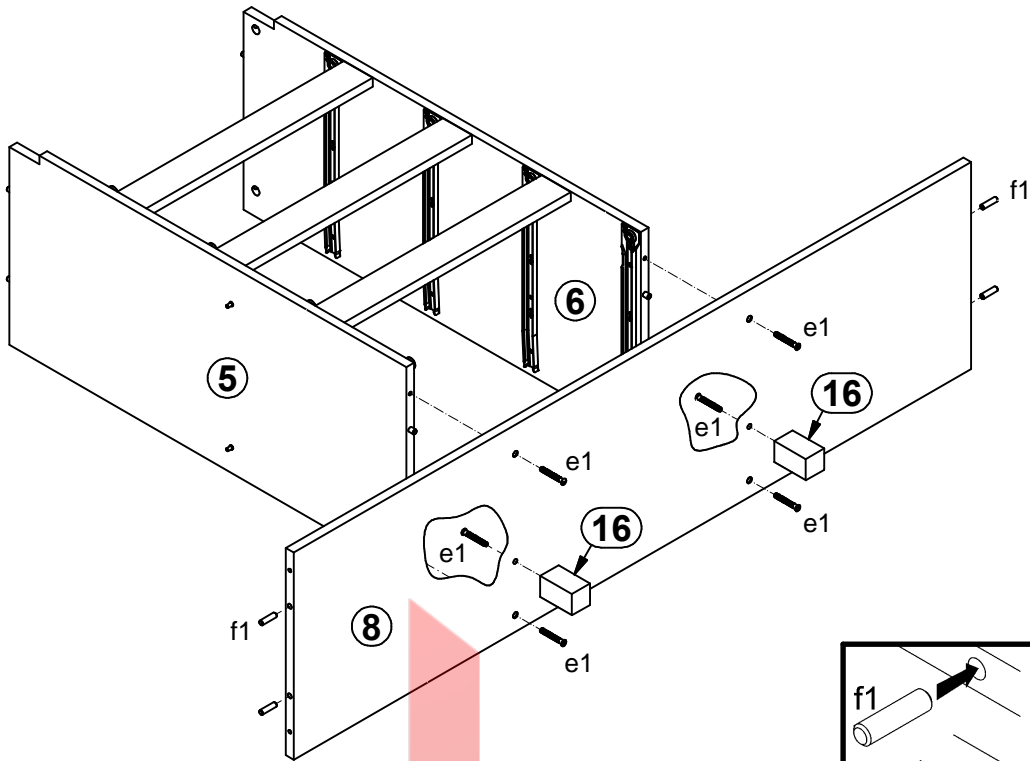
1



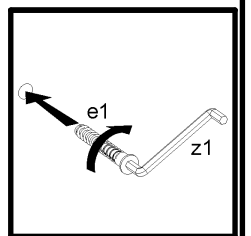
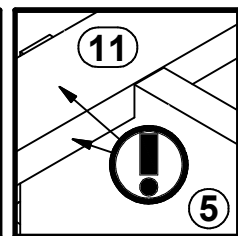
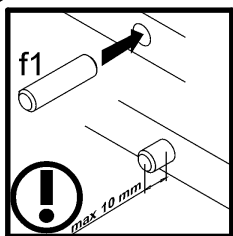
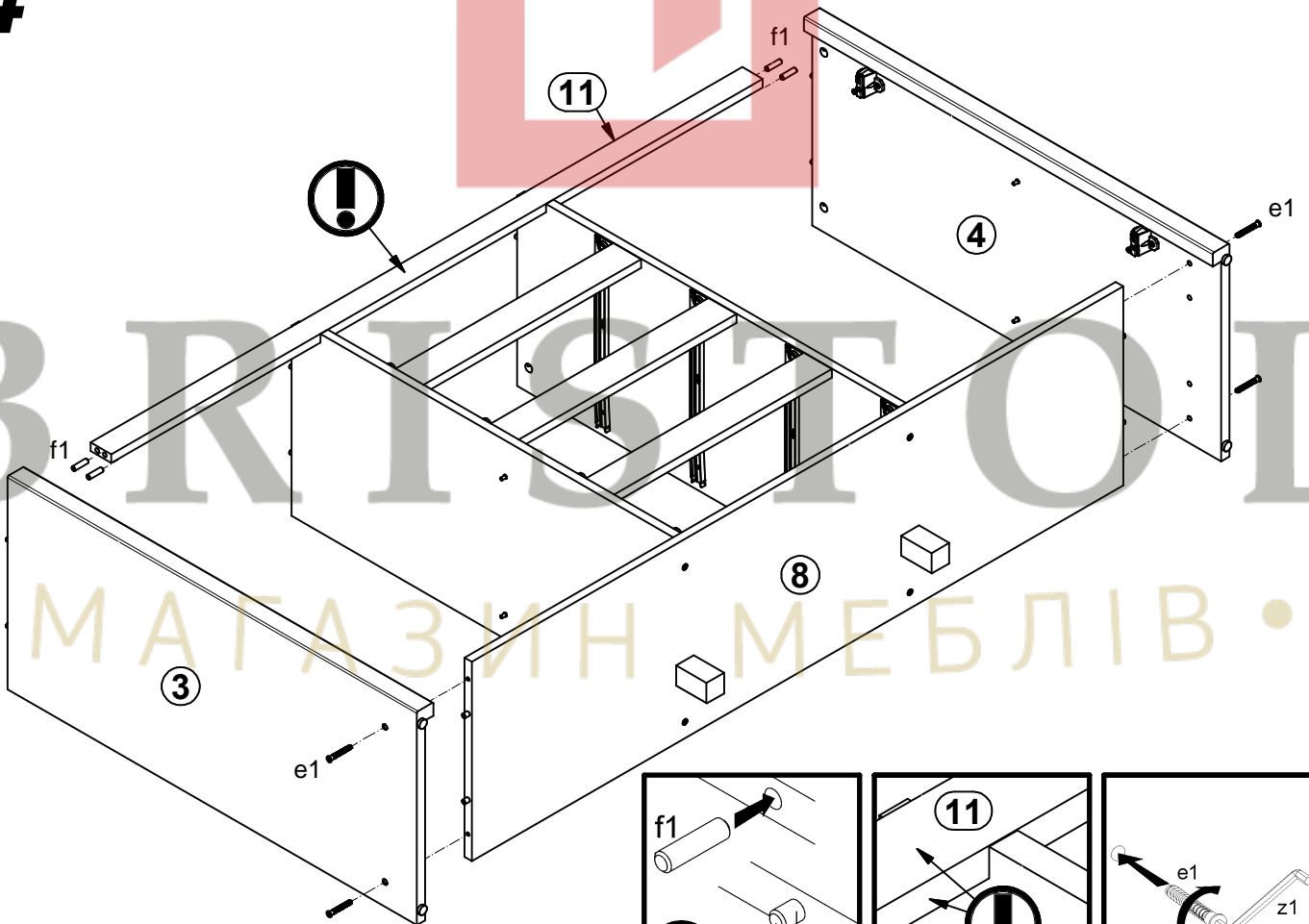
2



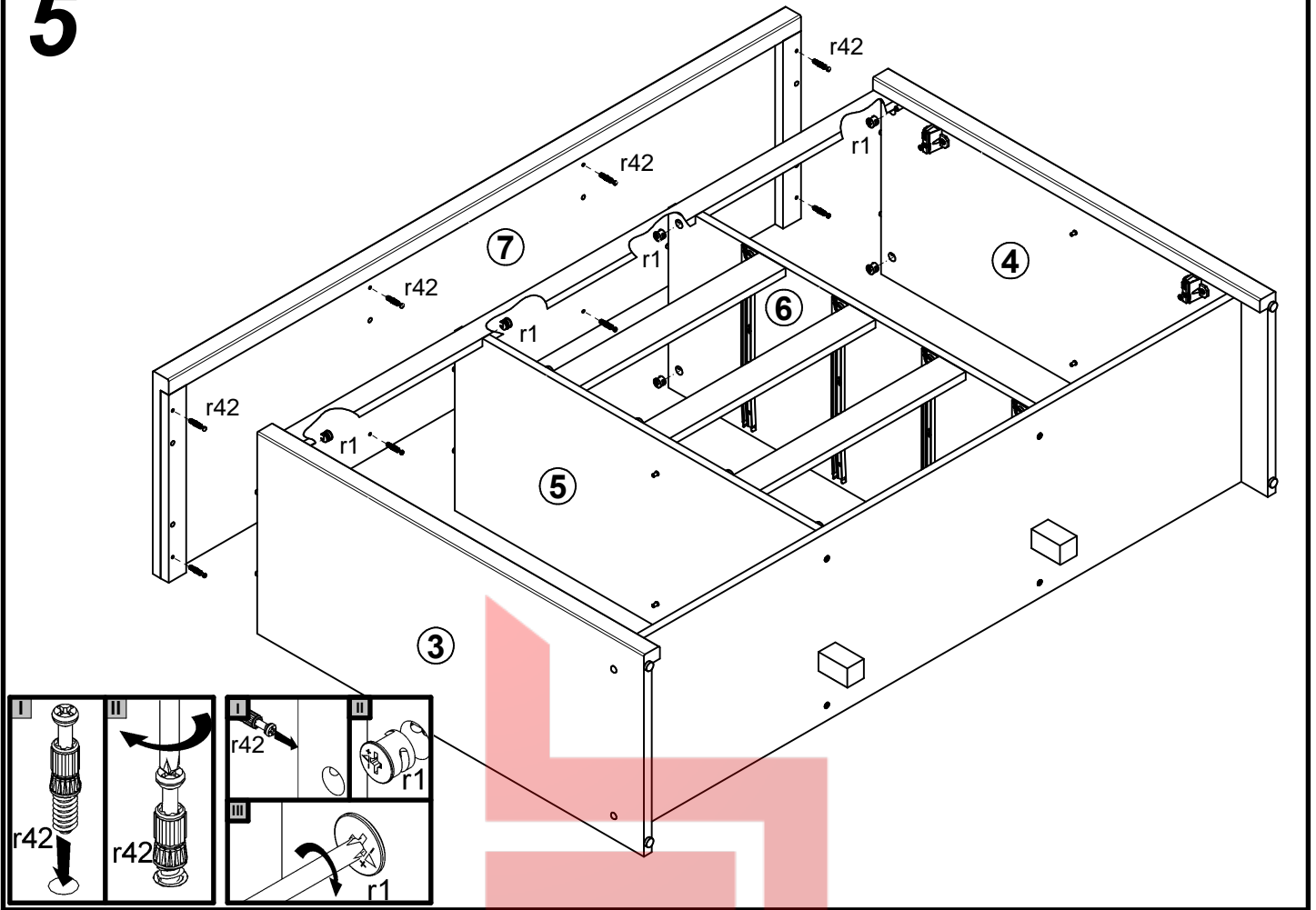
3



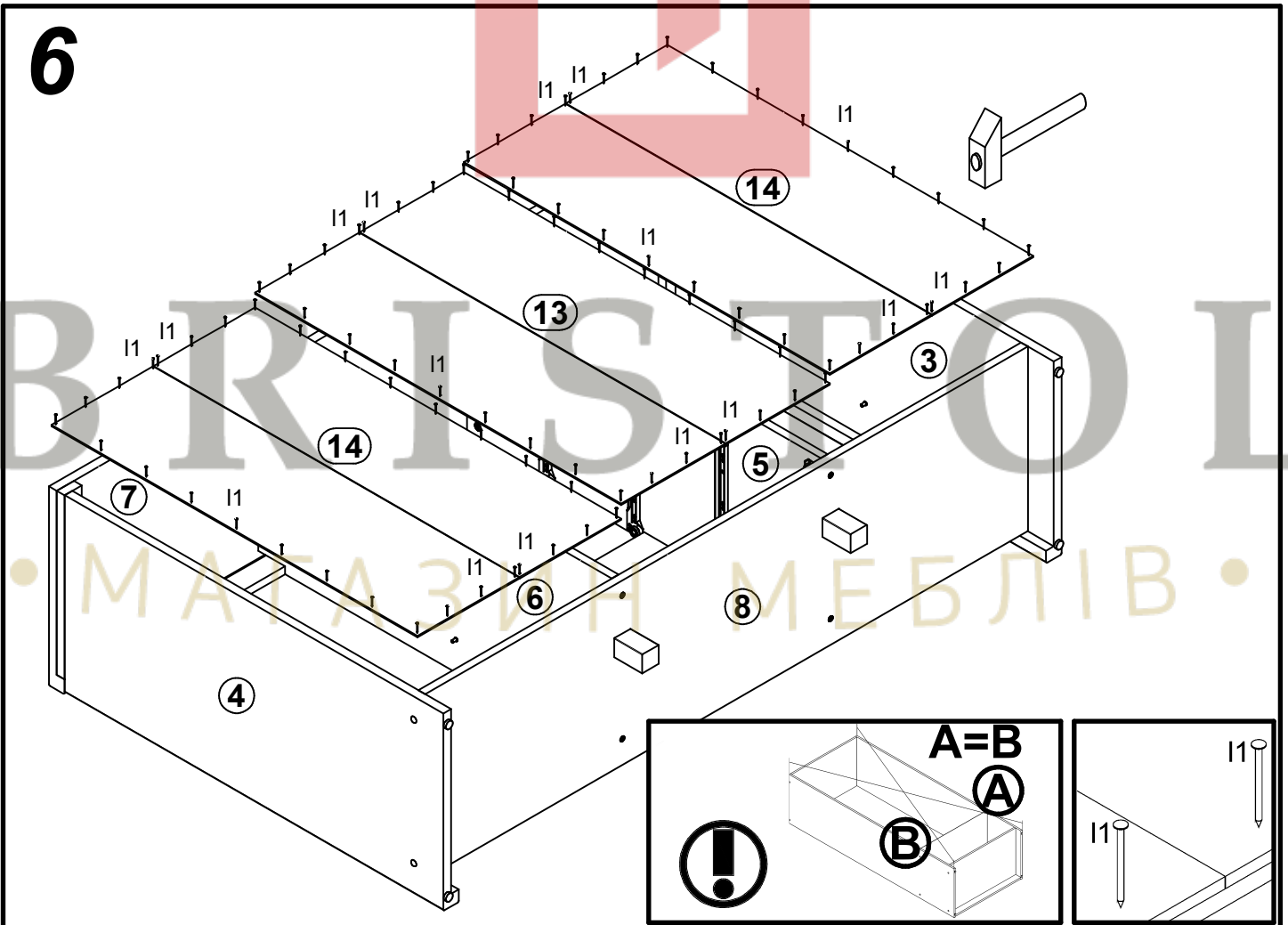
4



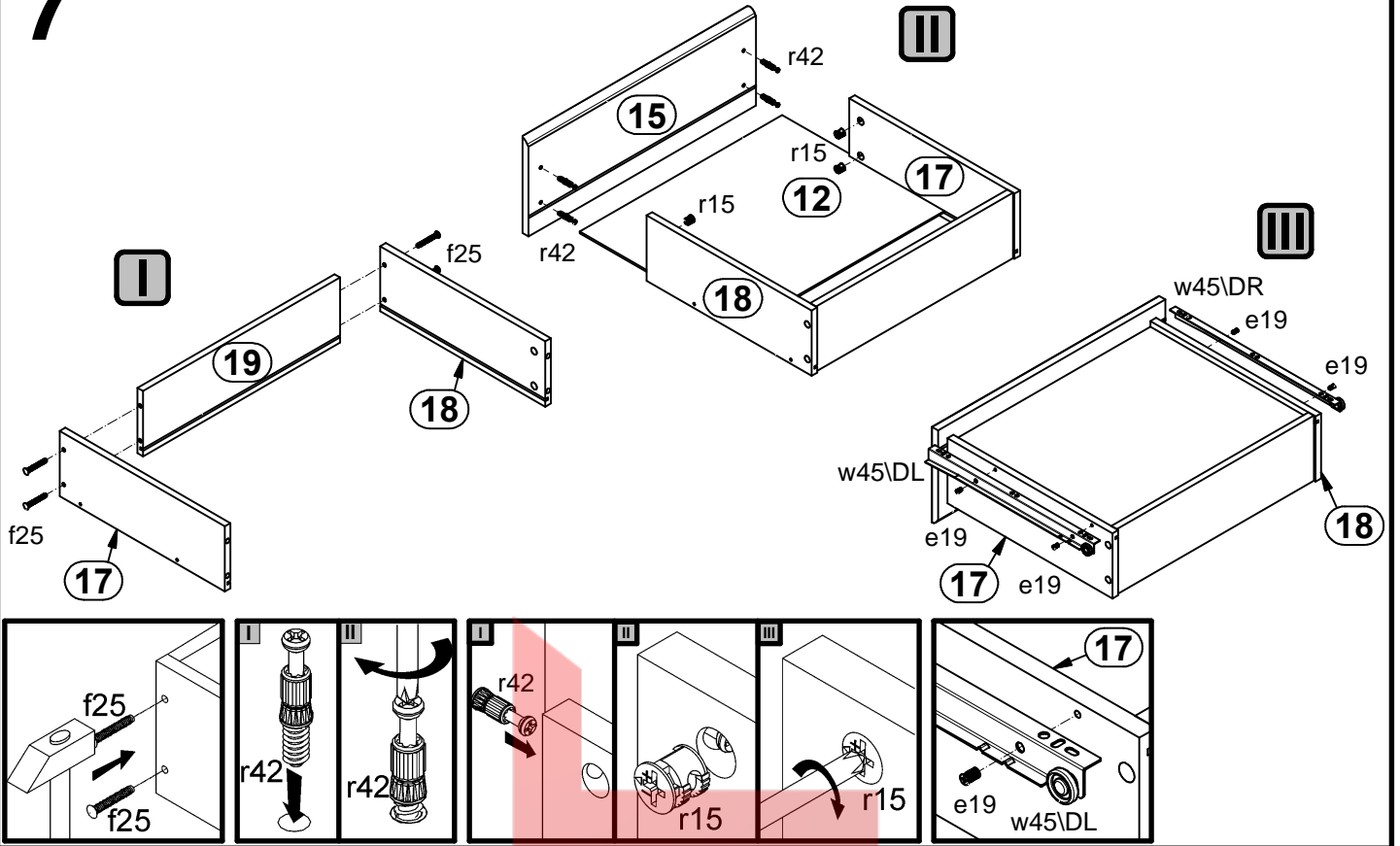
5



6



7



8

