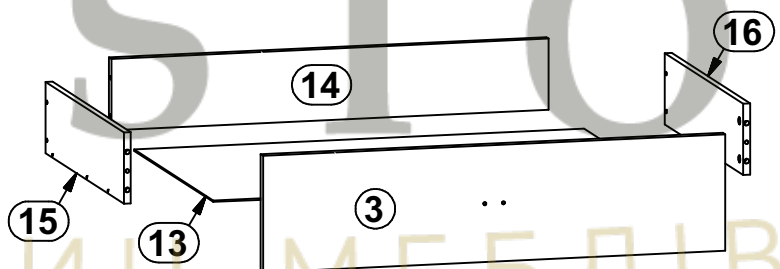
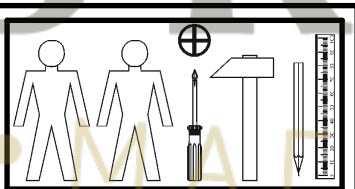
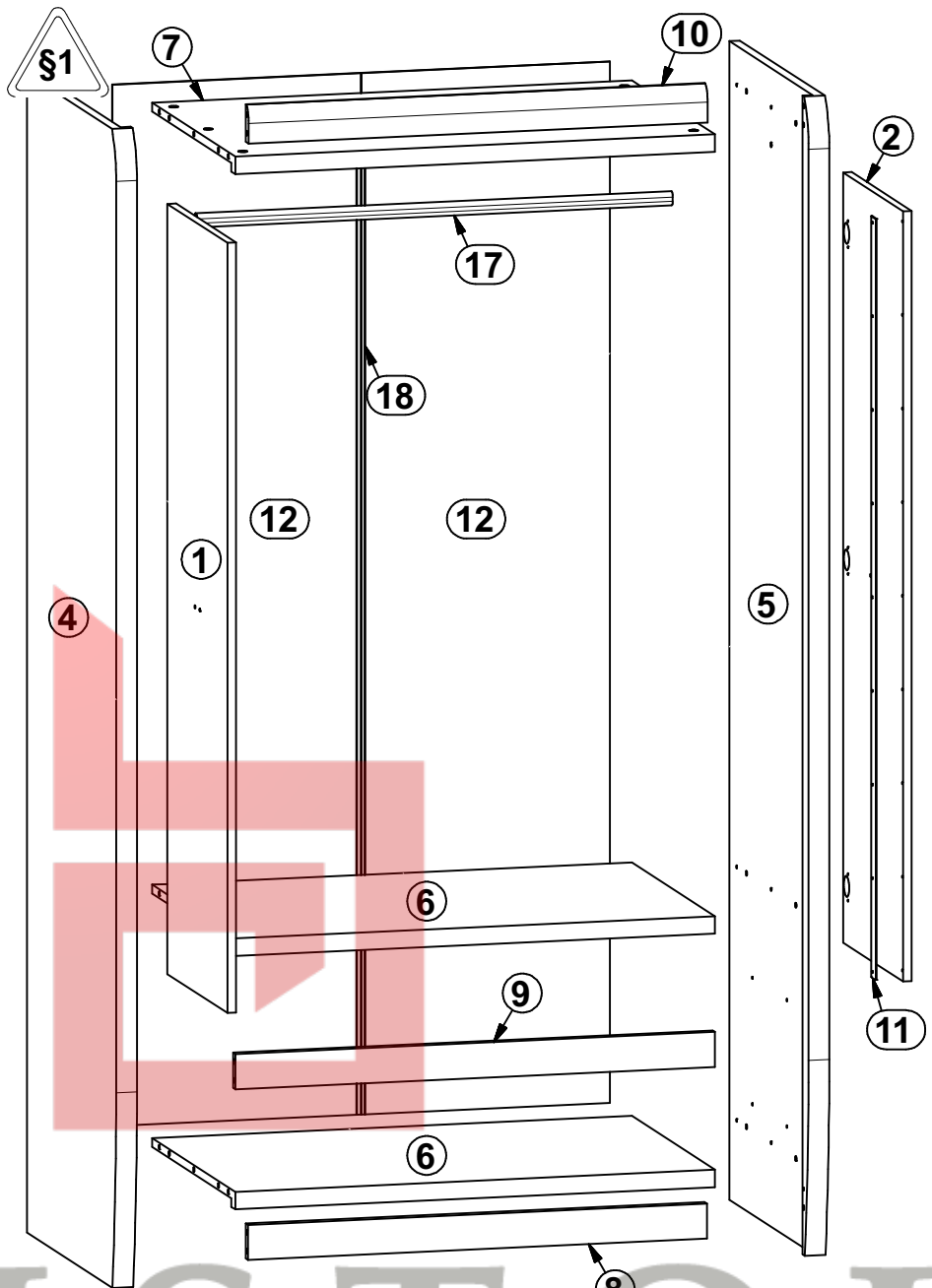
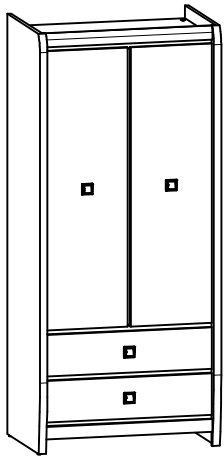


# LOREN

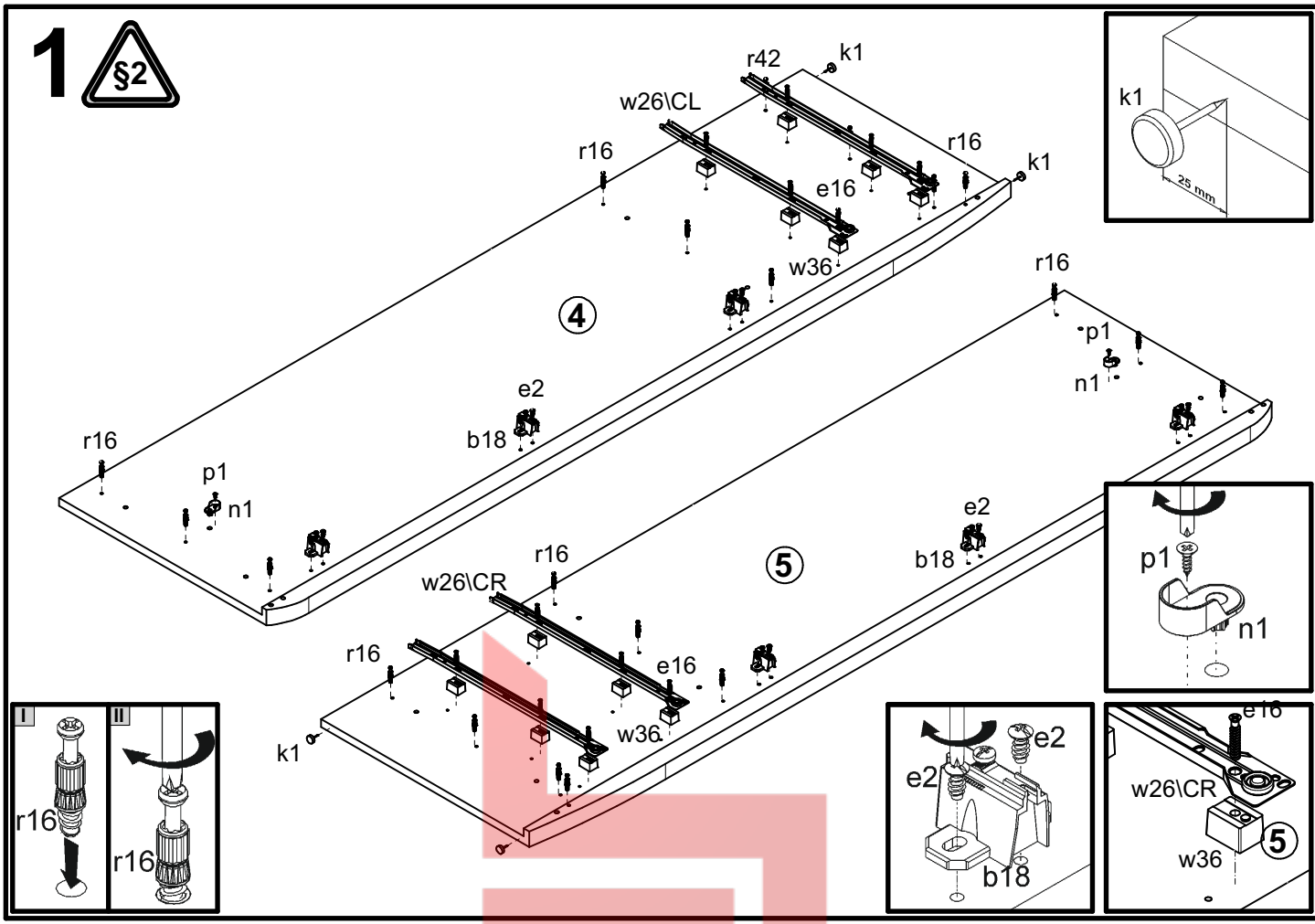
# S163-SZF2D2S

A	B	C	D	
1	S163-0007	1316	389	3/4
2	S163-0008	1316	389	3/4
3	S163-0009	792	196	4/4
4	S163-1101	1980	580	1/4
5	S163-1102	1980	580	1/4
6	S163-3308	834	539	2/4
7	S163-3335	834	539	2/4
8	S163-4403	798	60	2/4
9	S163-4409	834	60	2/4
10	S163-506	798	64	2/4
11	S163-507	1300	29	1/4
12	S163-91905	1779	432	1/4
13	S163-9909	771	505	1/4
14	ZS3-5516	749	120	2/4
15	ZS4-505	500	120	2/4
16	ZS4-506	500	120	2/4
17	dr-827	827	22	2/4
18	Lh-1749	1749	14	1/4

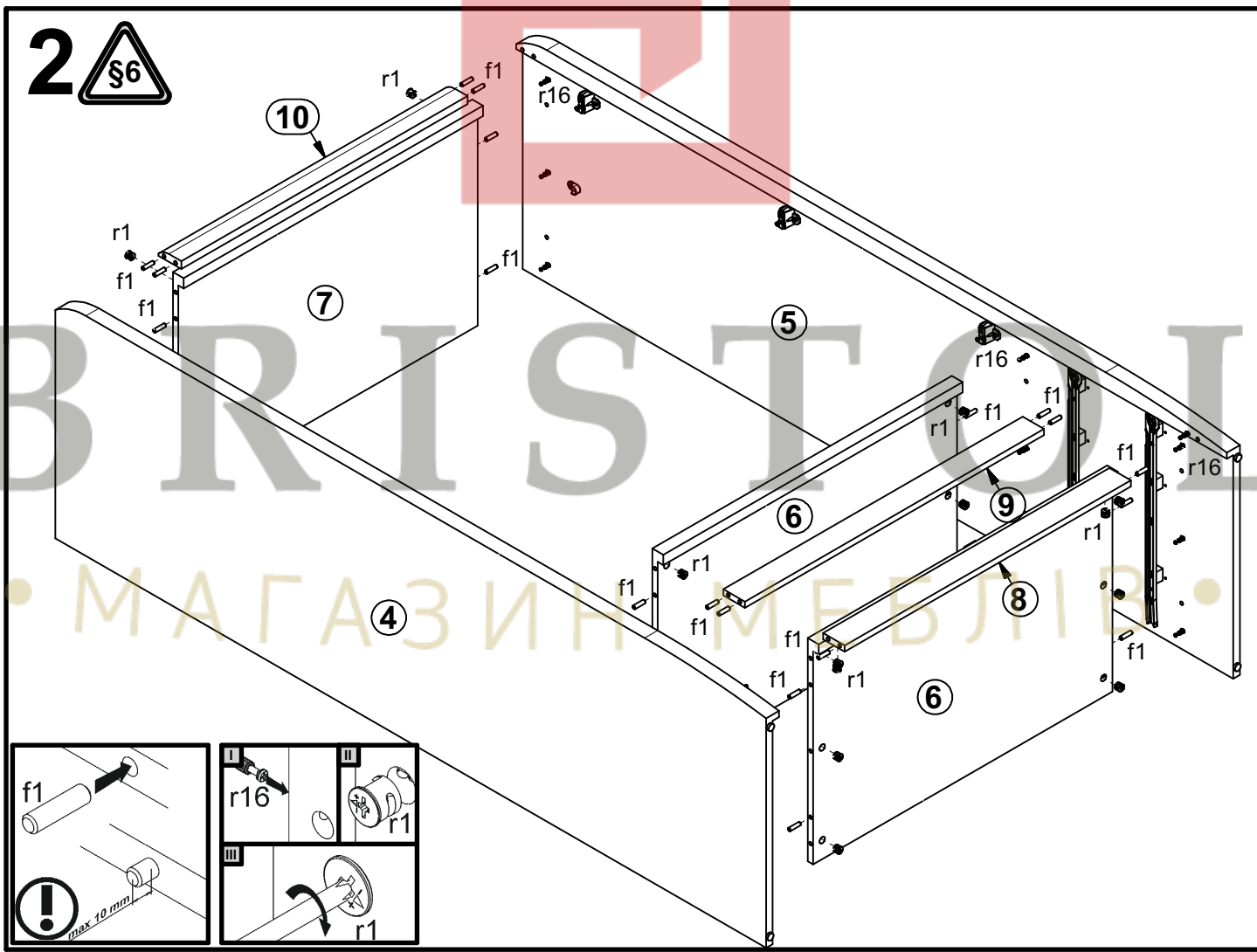


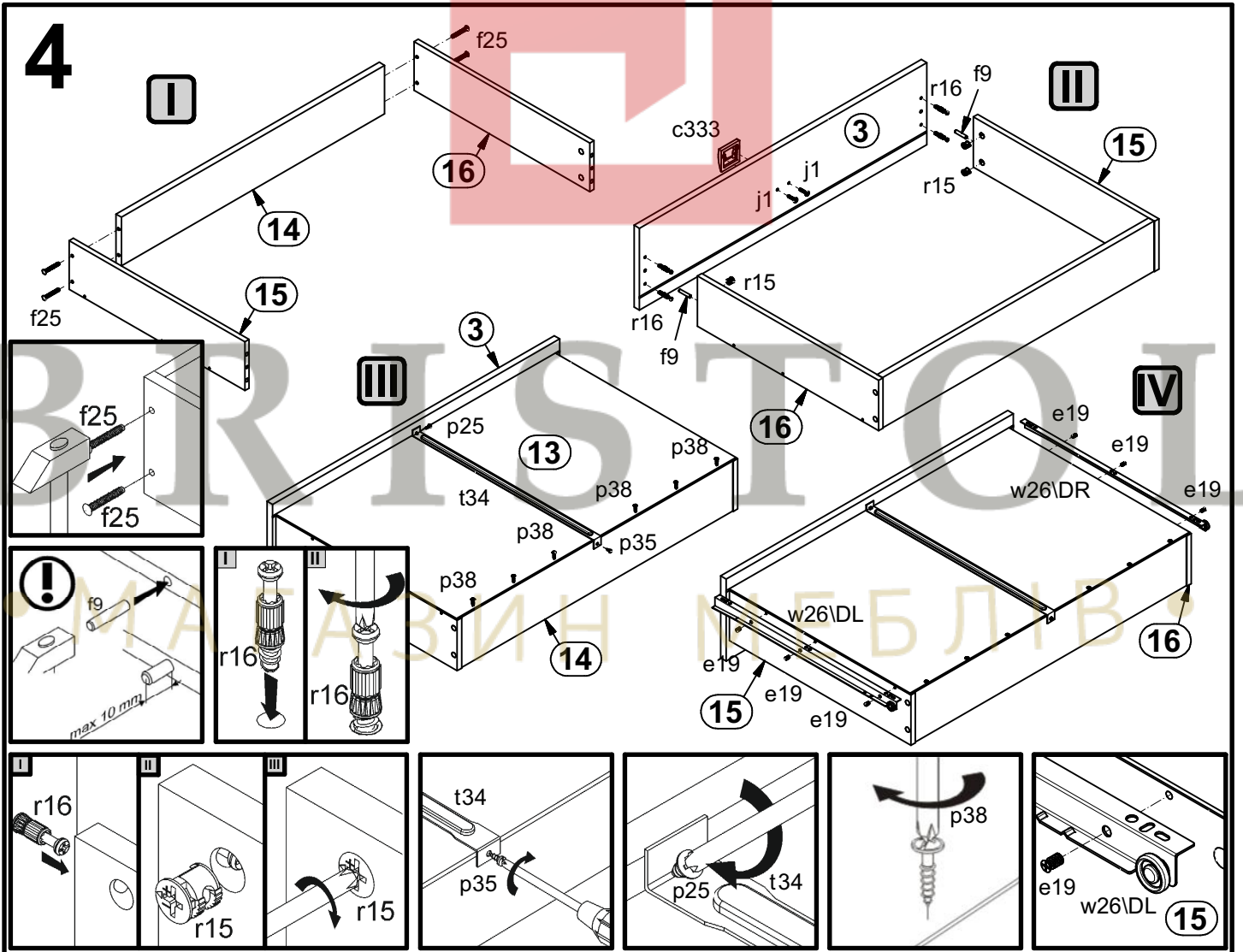
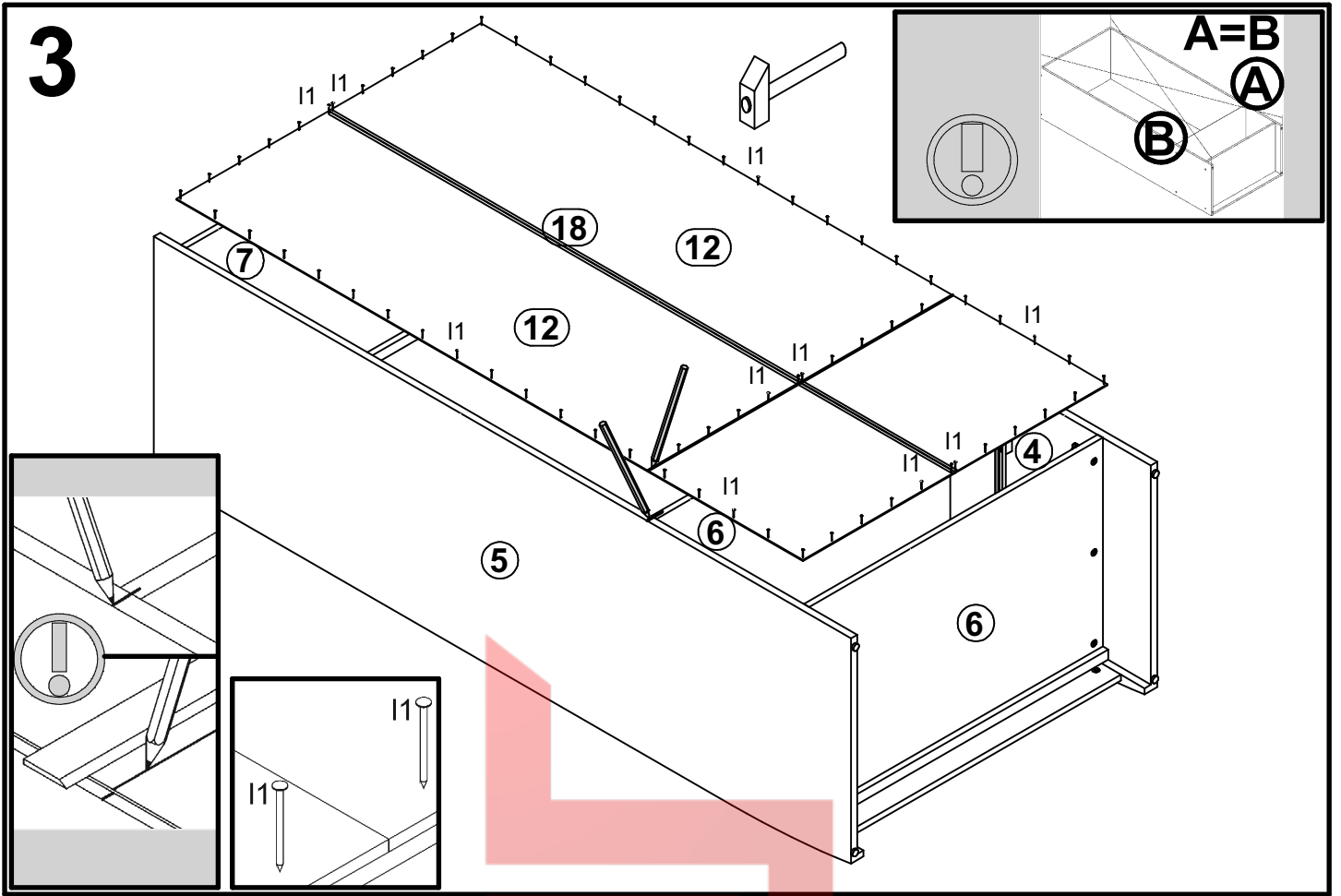
6x a43	6x b18	4x c333	12x e16 Ш6x30 mm	12x e19 Ш5x9 mm	12x e2 Ш6.3x13 mm	22x f1 Ш8x30 mm	4x f9 Ш6x30 mm	8x f25 Ш6.5x40 mm
8x j1 M4x20 mm	4x k1	60x l1	2x n1	2x p1 Ш3.5x13 mm	2x p25 Ш3.5x16 mm	2x p35 Ш3.5x10 mm	21x p38 Ш3.5x16 mm	12x p51 Ш3.5x15 mm
20x r1 Ш1.5x12 mm #16	8x r15 Ш1.2x10.5 mm #12	28x r16	2x t34 500 mm	2x w26\CL 500 mm	2x w26\CR 500 mm	2x w26\DL 500 mm	2x w26\DR 500 mm	12x w36 H=18 mm
1x n26\I	1x p38 Ш3.5x16 mm							

# 1



# 2





# 5

