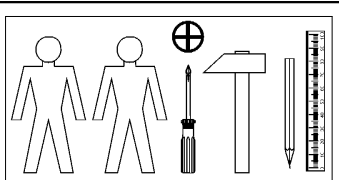
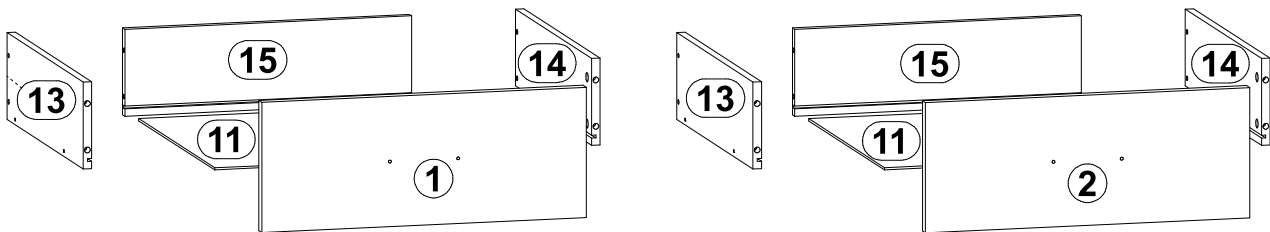
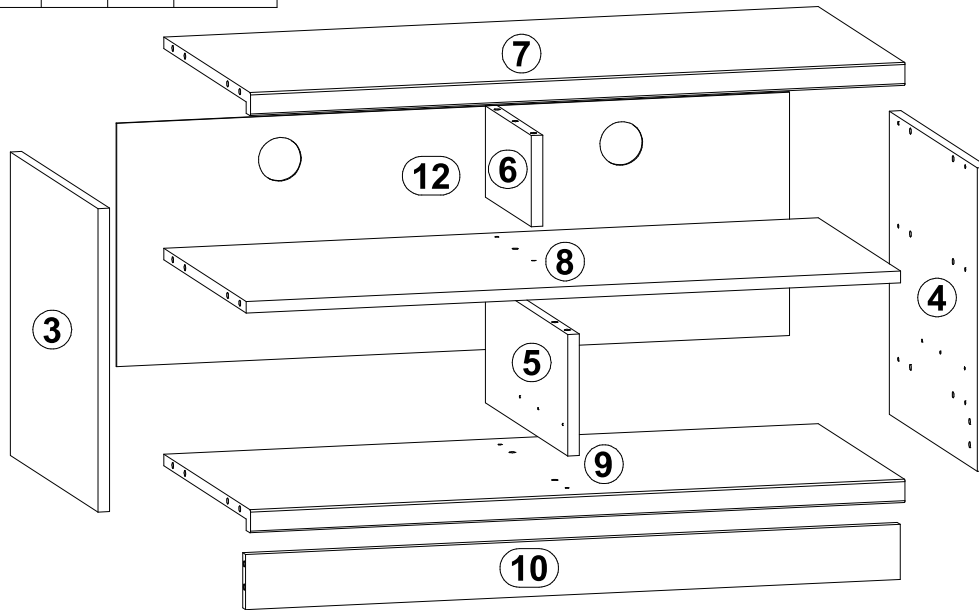
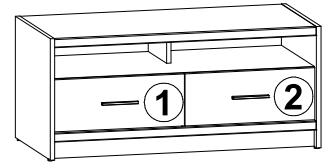


ОПЕН

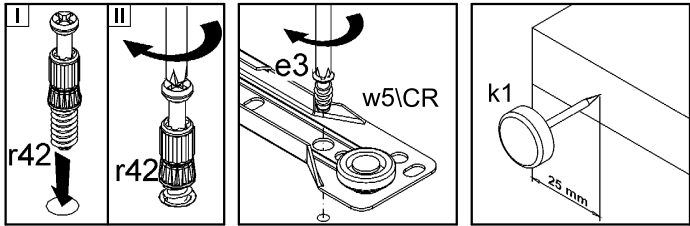
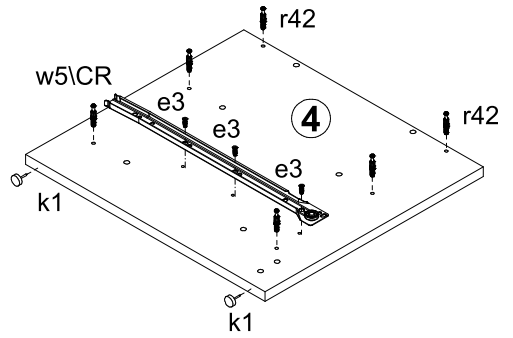
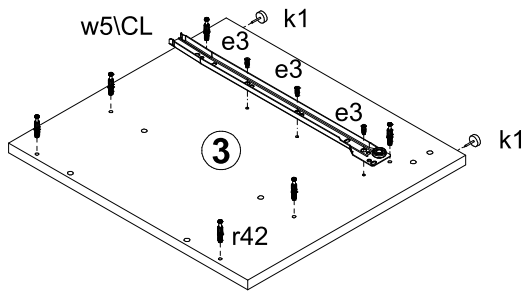
Тумба РТВ_РТV 95

A	B	C		D
1	S133-014	456	180	2/2
2	S133-016	456	180	2/2
3	S133-124	419	460	1/2
4	S133-125	419	460	1/2
5	S133-128	168	432	1/2
6	S133-129	126	240	1/2
7	S133-320	920	454	1/2
8	S133-321	920	432	1/2
9	S133-323	920	454	1/2
10	S133-407	920	76	1/2
11	S133-915	410	399	1/2
12	S133-918	946	336	1/2
13	S133-503	400	120	1/2
14	S133-504	400	120	1/2
15	S133-5550	395	120	1/2



2x 126 mm c223\7	8x φ5x9 mm e19	9x φ6x13 mm e3	22x φ8x30 mm f1	8x φ5x50 mm e32	4x k1	40x l1	4x φ2.9x24 mm p50
28x φ1.5x12mm #16 r1	28x r42	2x 400 mm w5\CL	2x 400 mm w5\CR	2x 400 mm w5\DL	2x 400 mm w5\DR	16x ø16 s2	3x φ3.5x13 mm p1

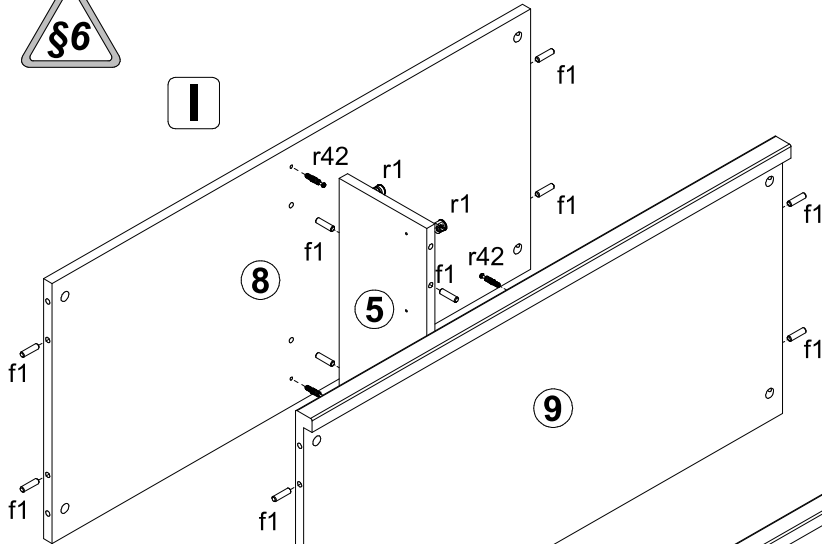
1



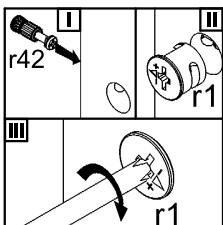
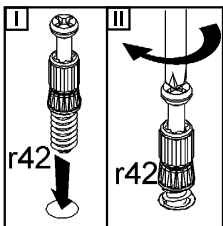
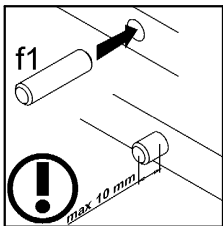
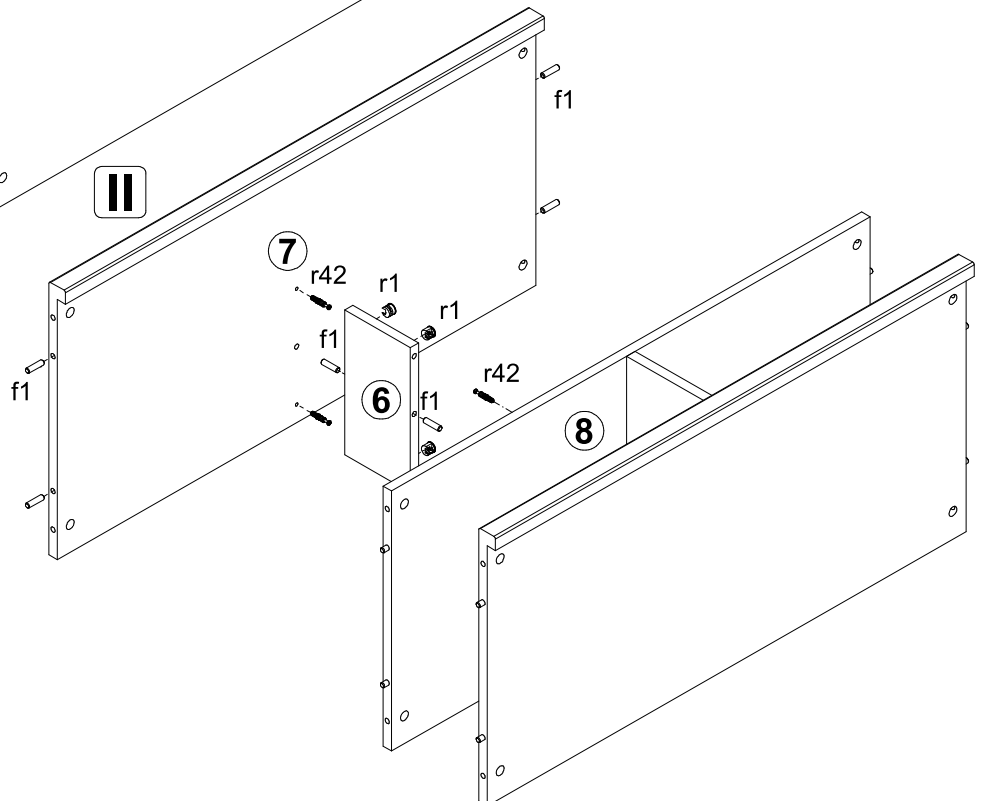
2



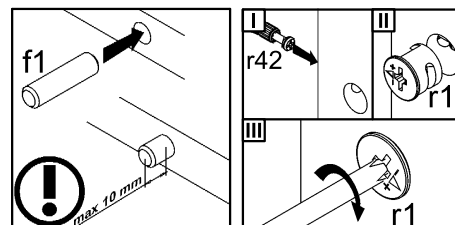
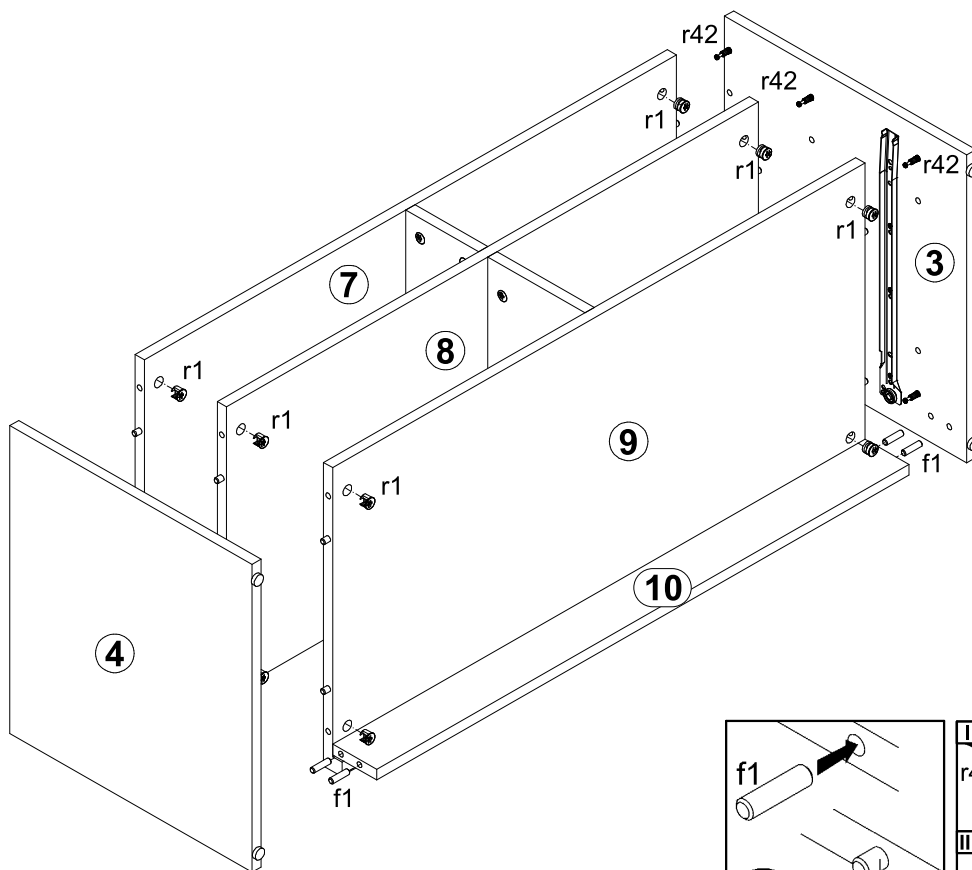
I



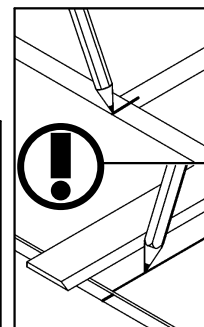
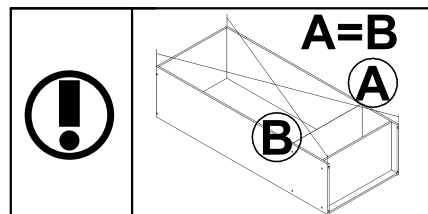
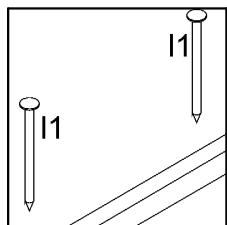
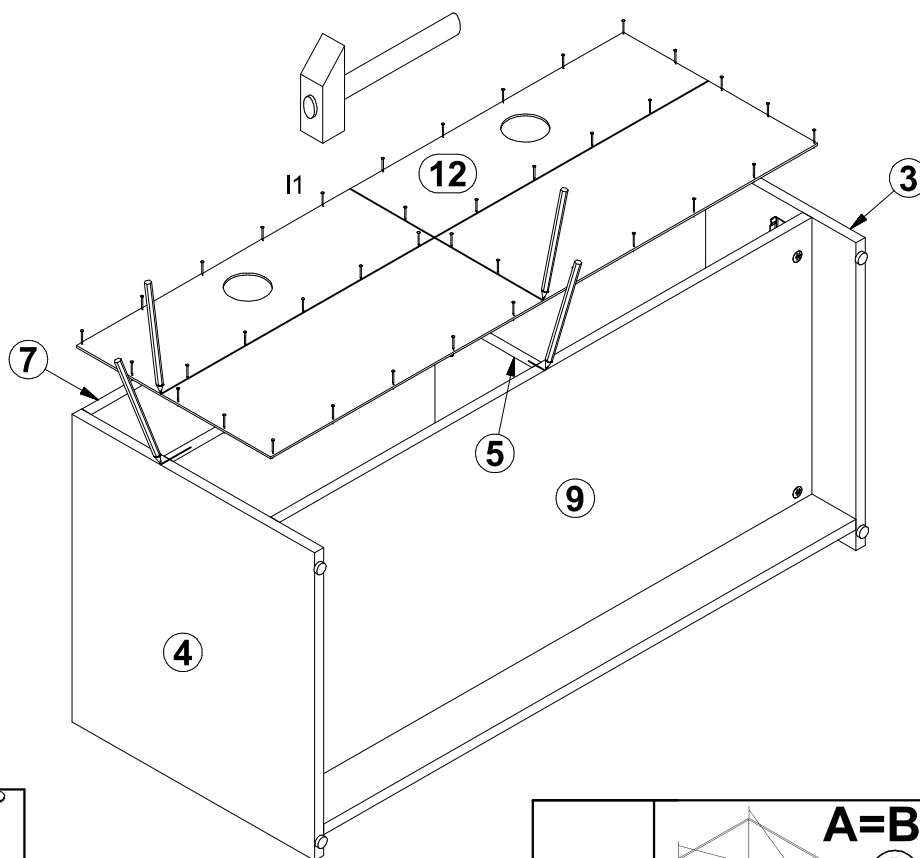
II



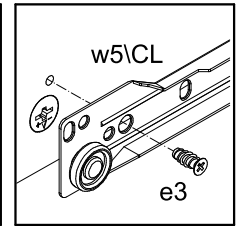
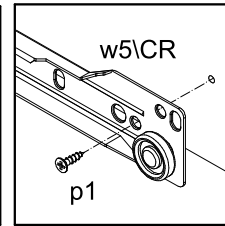
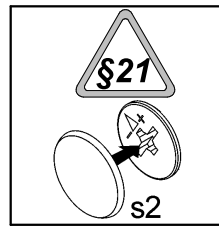
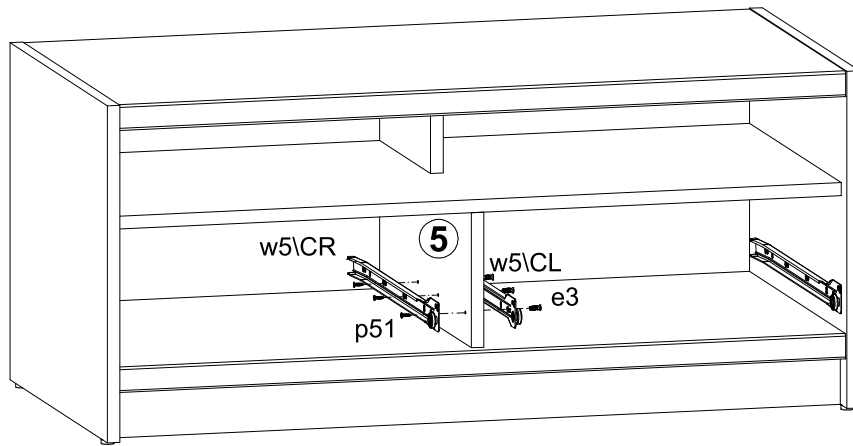
3



4



5



6

