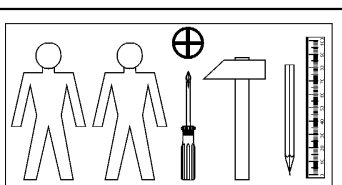
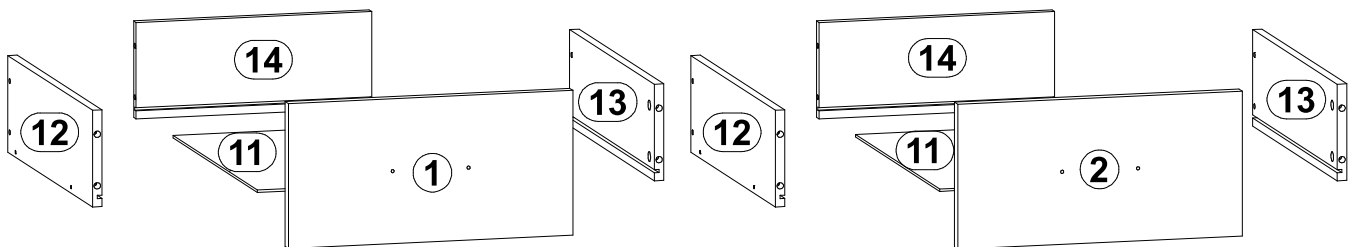
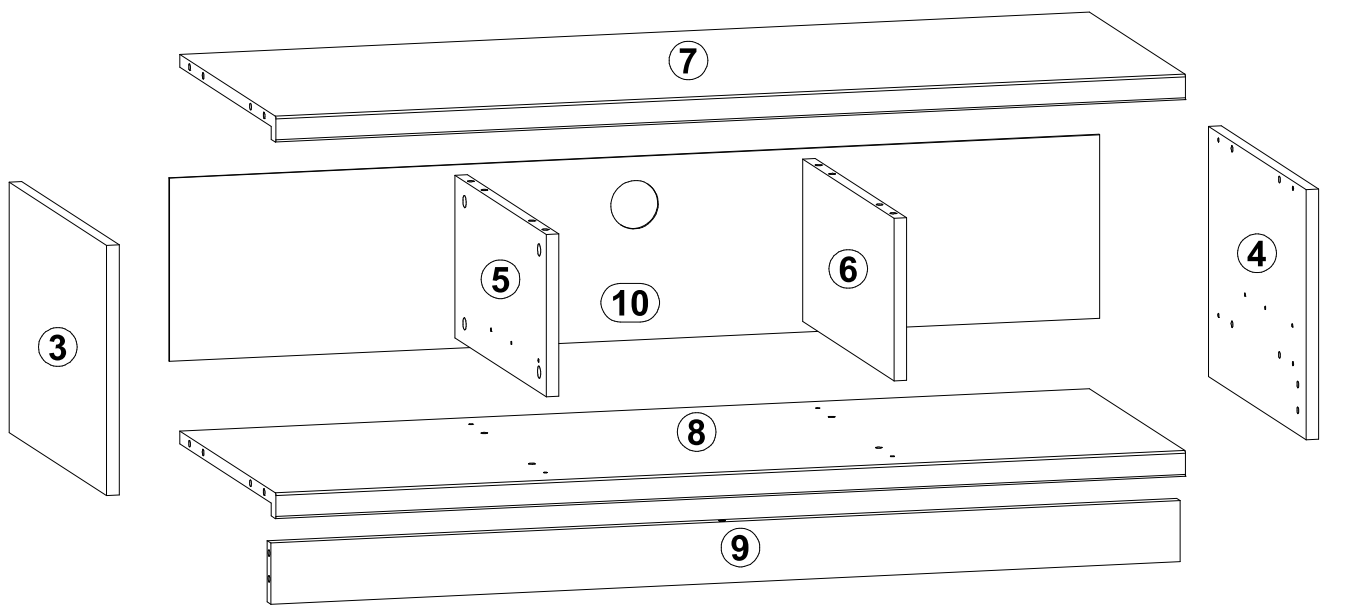
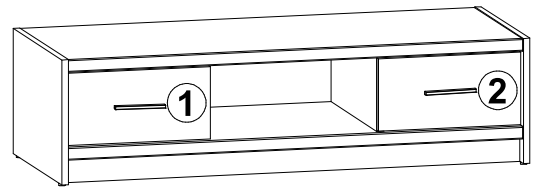


ОПЕН

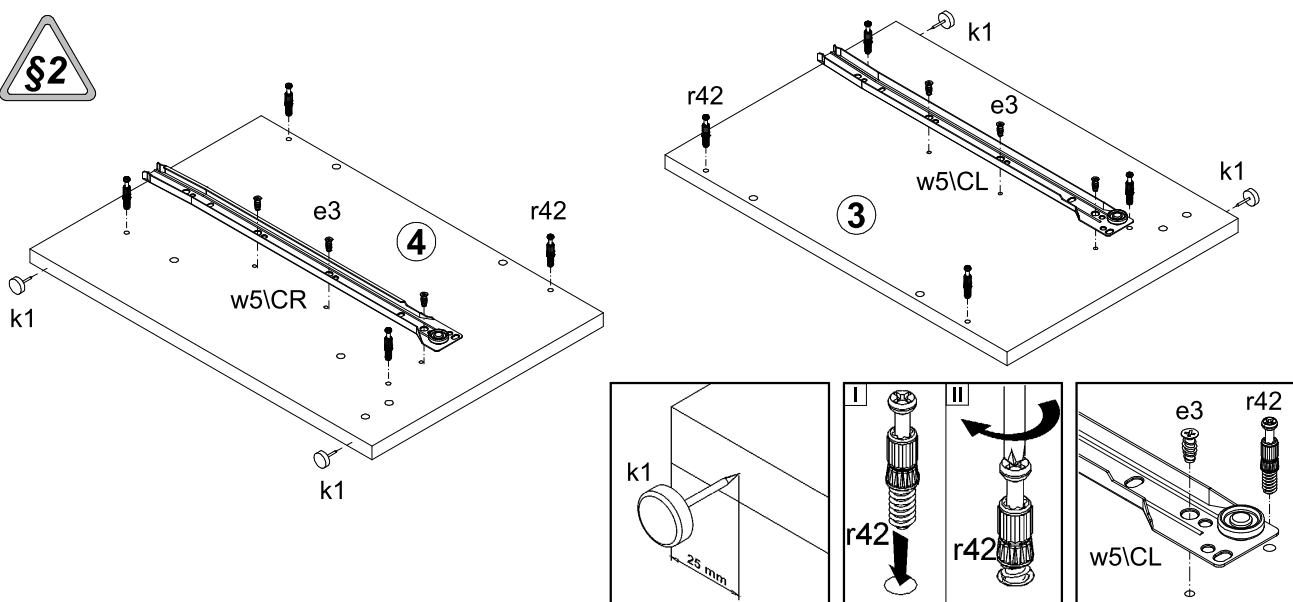
Тумба РТВ_РТV 120

A	B	C		D
1	S133-017	360	180	2/2
2	S133-018	360	180	2/2
3	S133-132	311	460	1/2
4	S133-133	311	460	1/2
5	S133-134	202	432	1/2
6	S133-137	202	432	1/2
7	S133-325	1151	454	1/2
8	S133-326	1151	454	1/2
9	S133-402	1151	76	1/2
10	S133-919	1177	228	1/2
11	S133-928	306	399	1/2
12	S133-503	400	120	1/2
13	S133-504	400	120	1/2
14	S133-5551	291	120	1/2

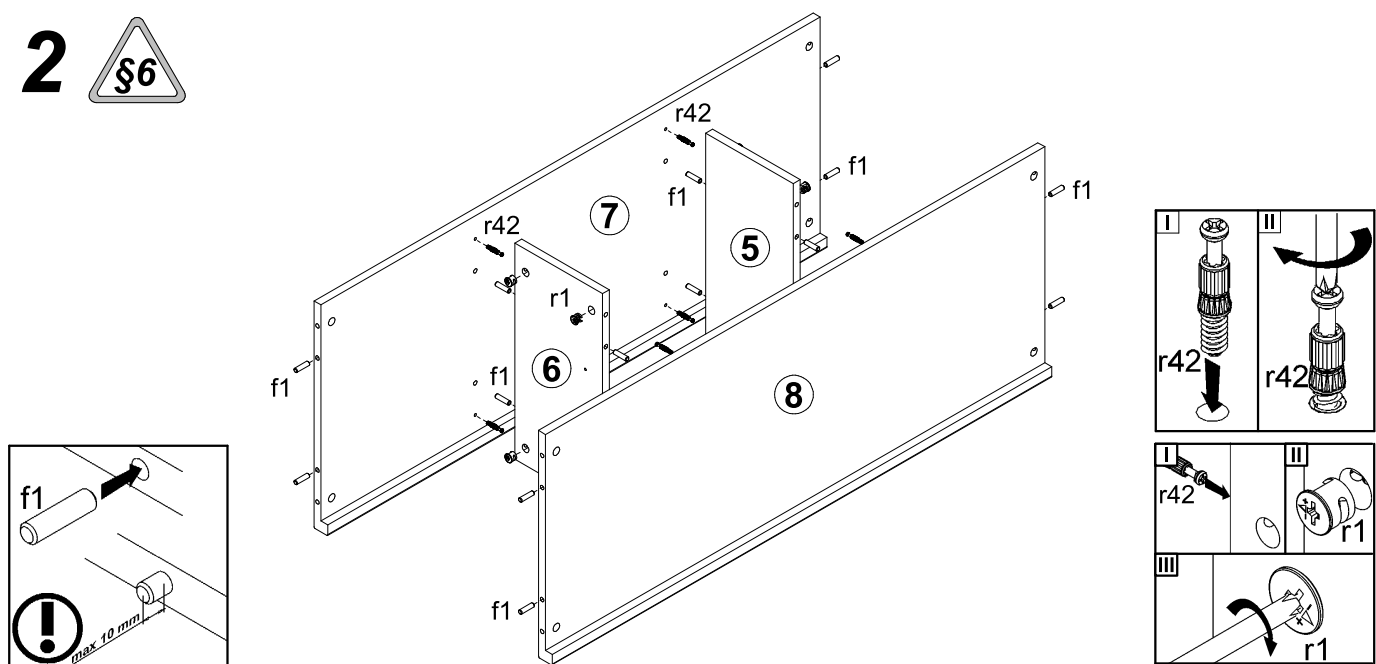


2x 126 mm c223\7	8x φ5x9 mm e19	12x φ6x13 mm e3	21x φ8x30 mm f1	8x φ5x50 mm e32	5x k1	30x l1	4x φ2,9x24 mm p50	24x φ1,5x12mm #16 r1
24x r42	2x 400 mm w5\CL	2x 400 mm w5\CR	2x 400 mm w5\DL	2x 400 mm w5\DR	12x φ16 s2			

1



2



3

