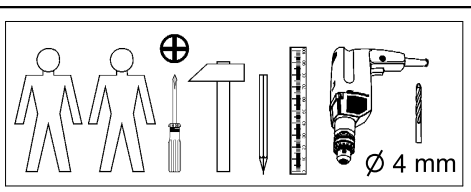
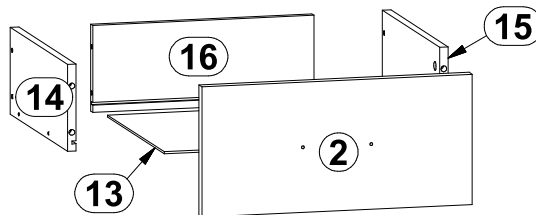
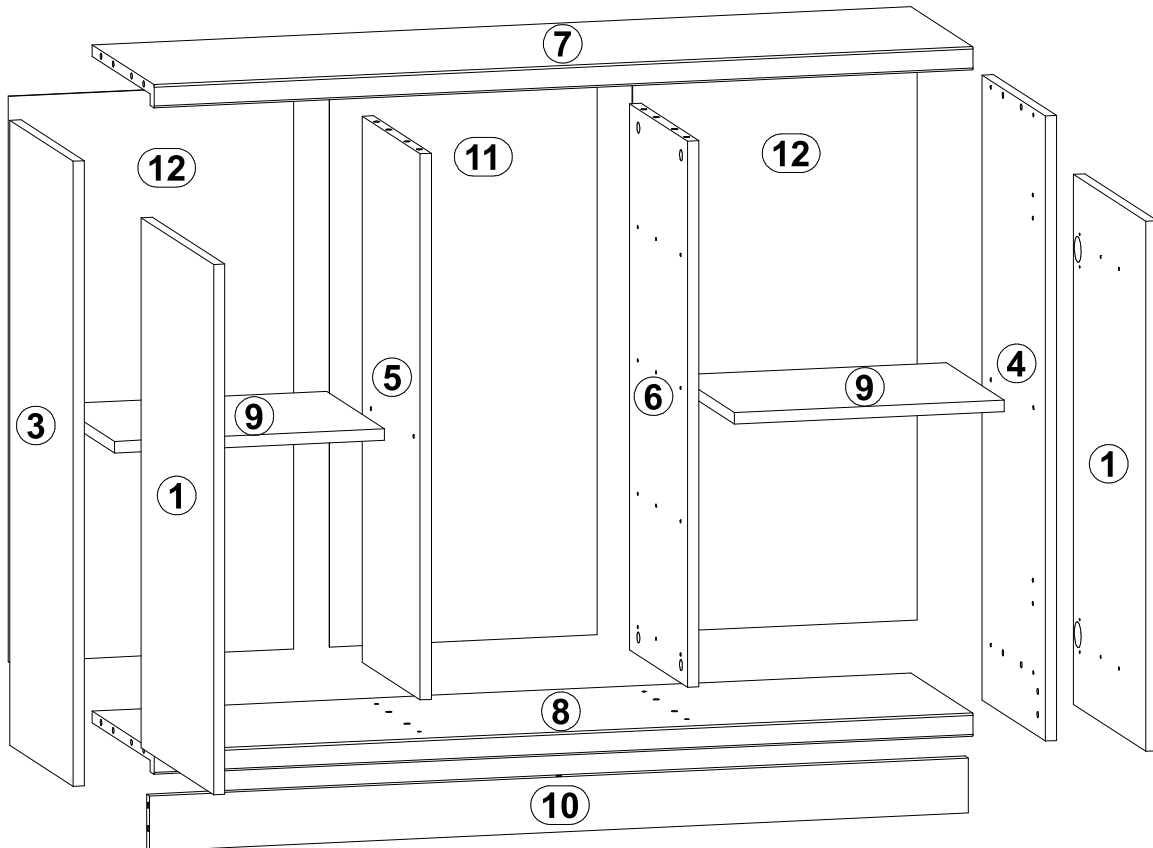
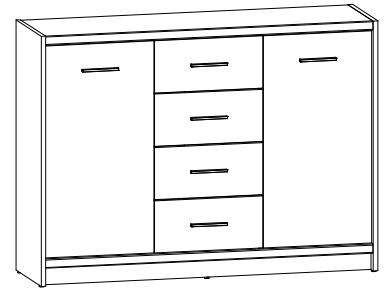


# ОПЕН

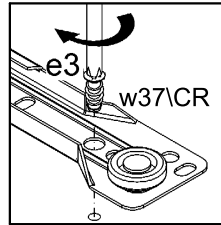
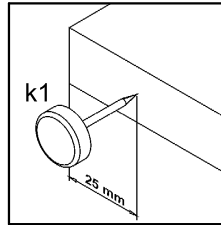
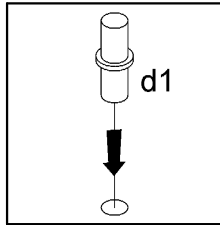
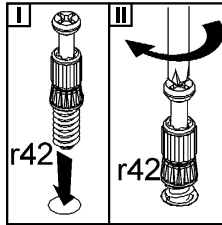
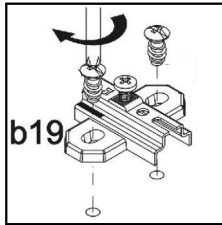
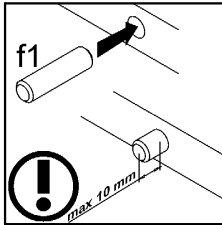
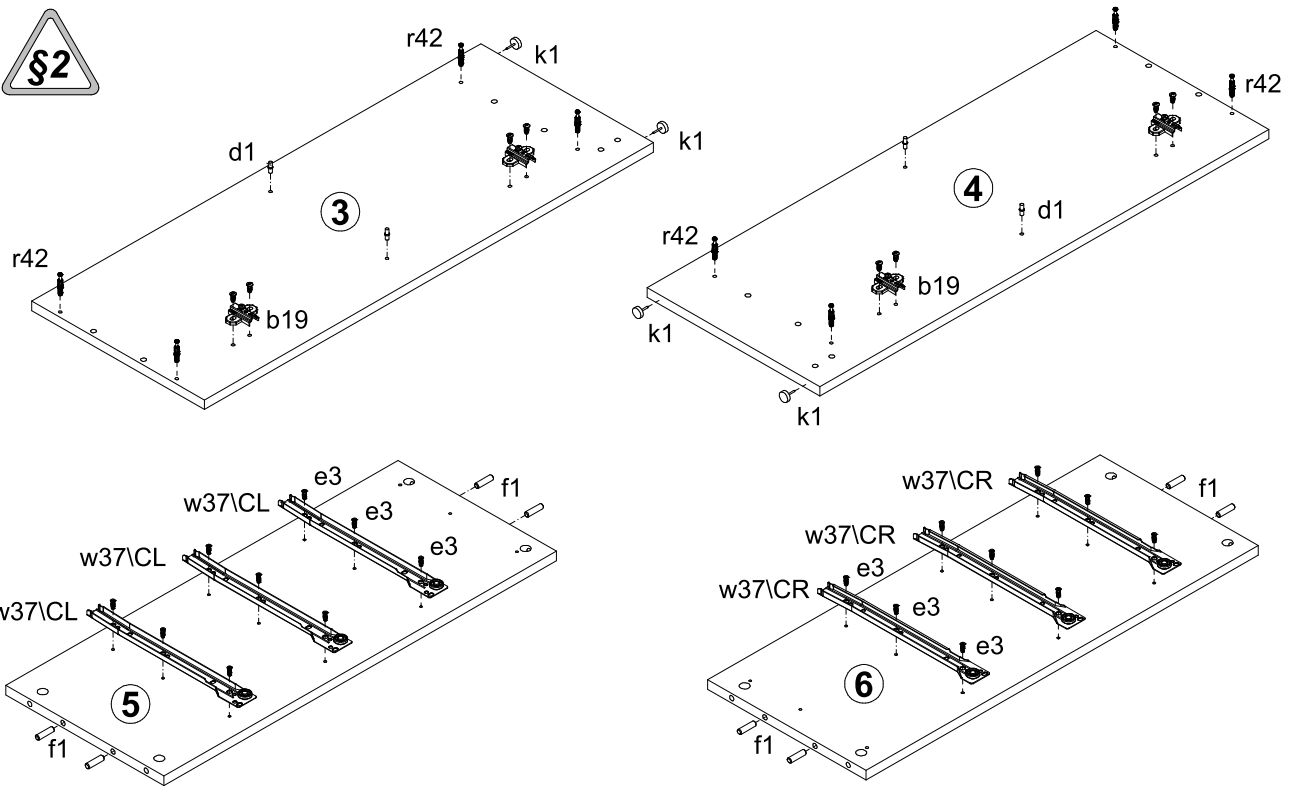
Комод\_KOM 2D4S

A	B	C		D	A	B	C		D
1	S133-003	732	380	3/3	9	S133-307	379	304	1/3
2	S133-004	380	180	3/3	10	S133-402	1151	76	2/3
3	S133-103	863	332	1/3	11	S133-903	781	376	2/3
4	S133-104	863	332	1/3	12	S133-904	781	400	2/3
5	S133-105	754	304	1/3	13	S133-905	318	299	2/3
6	S133-106	754	304	1/3	14	S133-507	300	120	1/3
7	S133-303	1151	326	2/3	15	S133-508	300	120	1/3
8	S133-304	1151	326	2/3	16	S133-5546	303	120	1/3

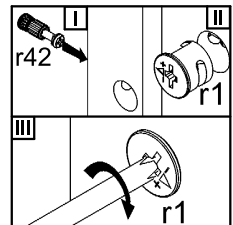
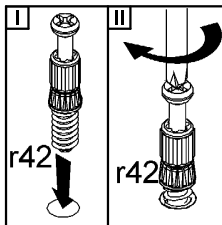
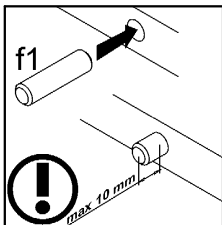
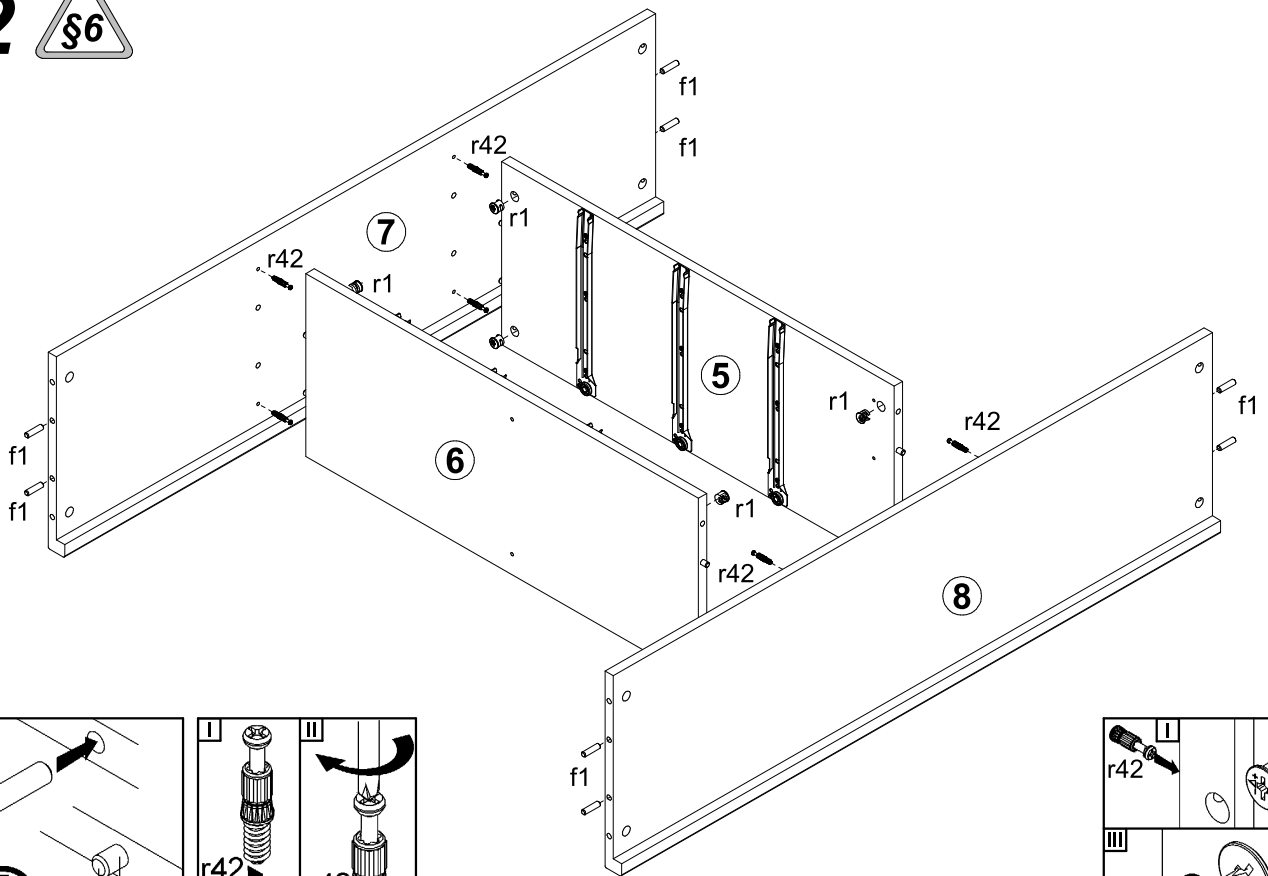


4x  a43	4x  b19	6x  126 mm c 223/7	8x  φ5x17 mm d1	16x  φ5x9 mm e19	24x  φ6x13 mm e3	21x  φ8x30 mm f1	16x  φ5x50 mm e32
5x  k1	90x  l1	12x  φ2,5x24 mm p50	8x  φ3,5x15 mm p51	32x  φ1,5x12mm #16 r1	32x  r42	4x  300 mm w37/CL	4x  300 mm w37/CR
4x  300 mm w37/DL	4x  300 mm w37/DR	22x  φ16 s2	1x  n26/1	1x  φ3,5x16 mm p38			

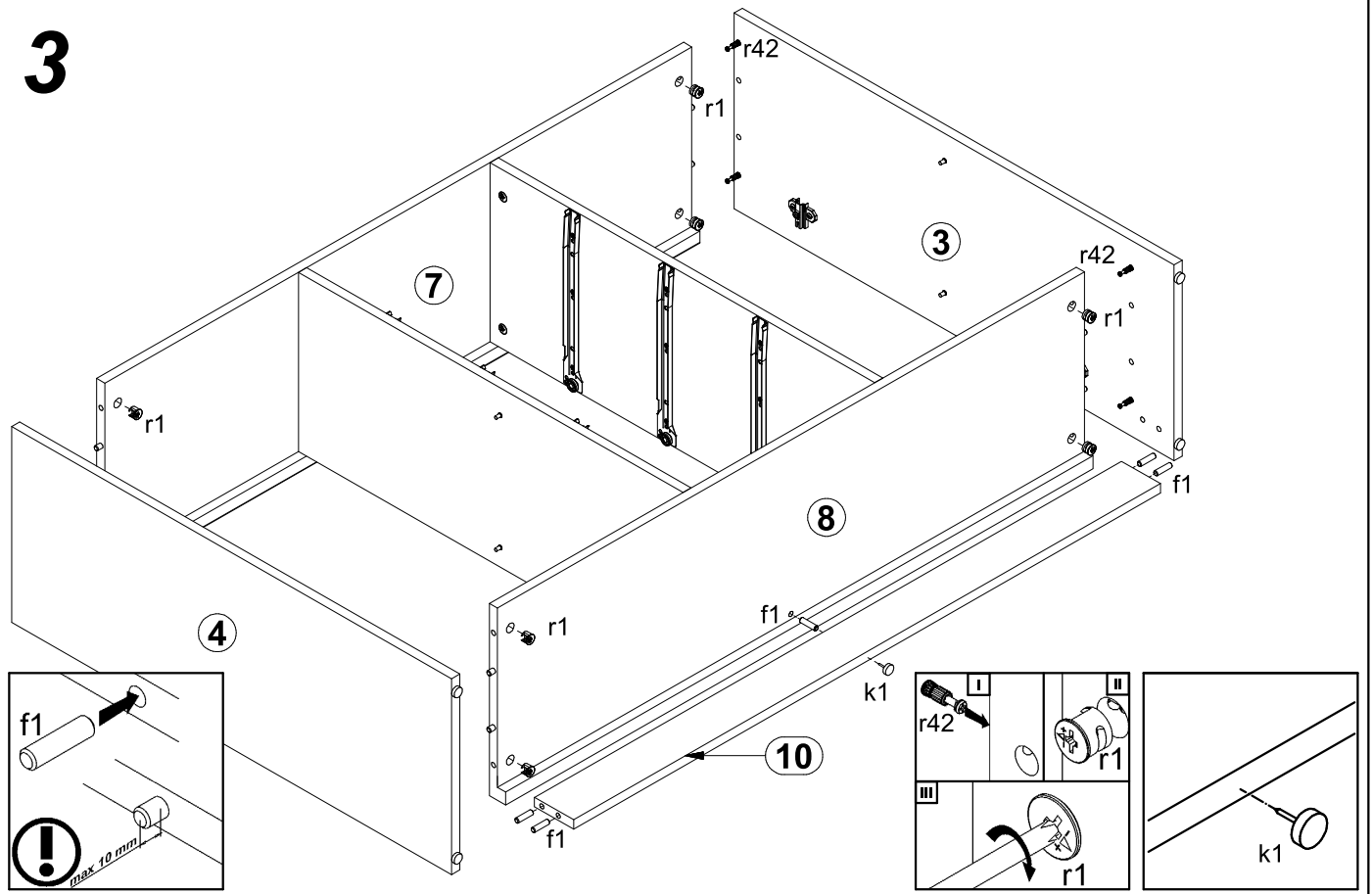
# 1 §2



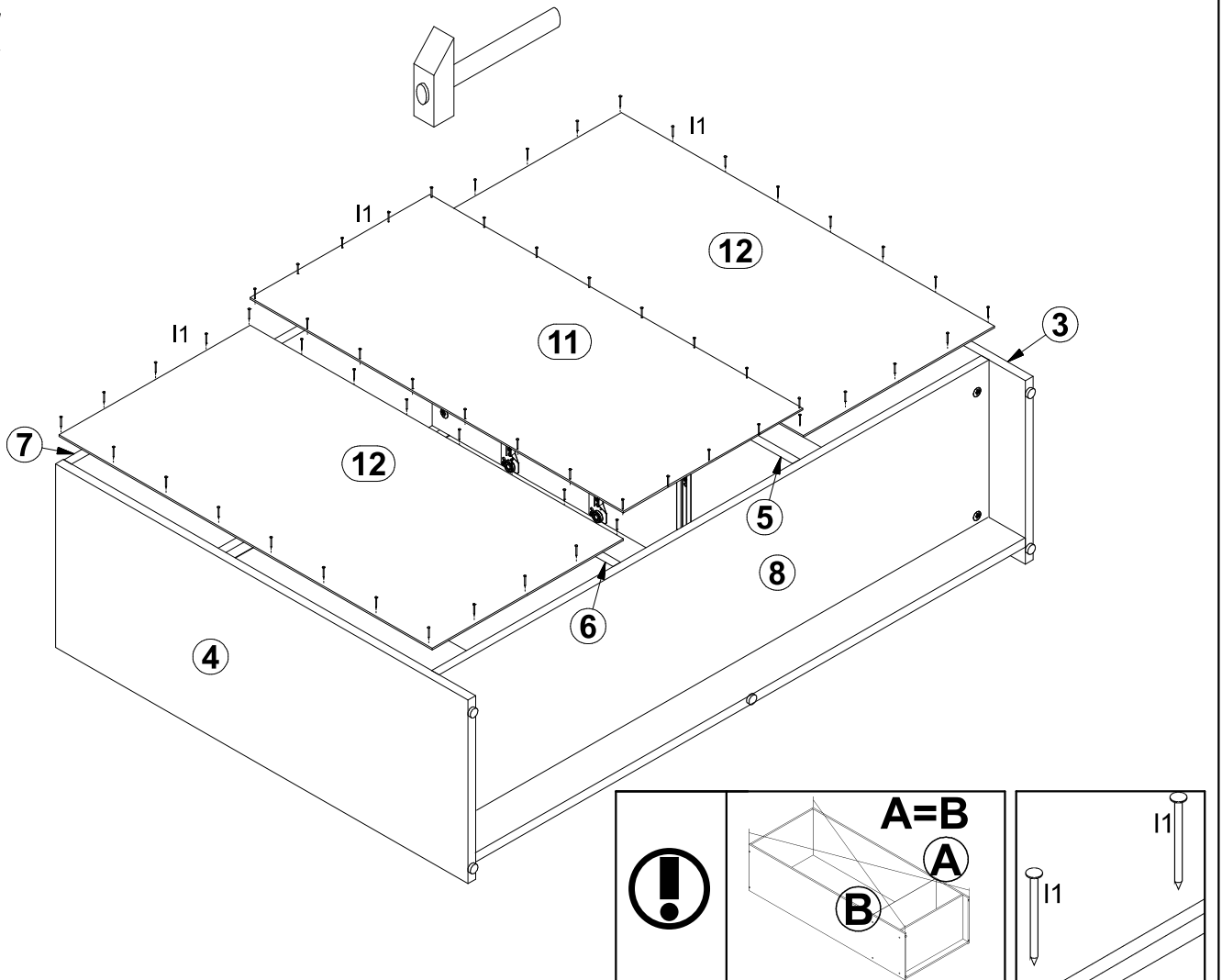
# 2 §6



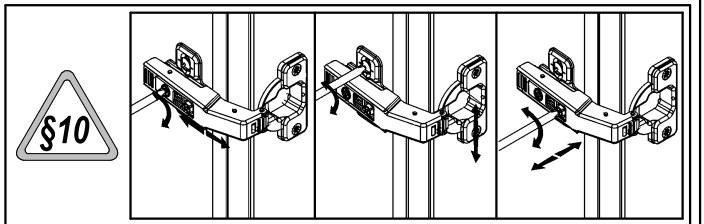
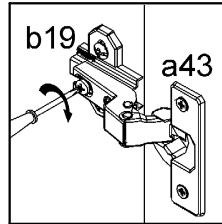
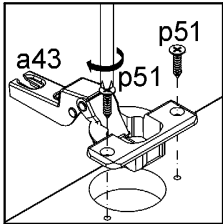
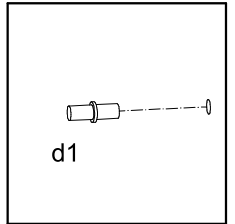
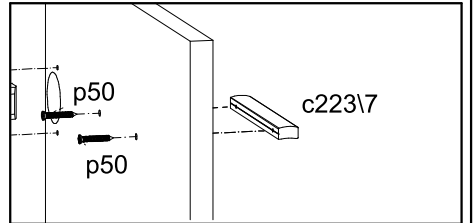
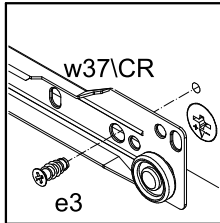
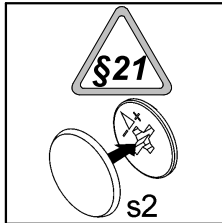
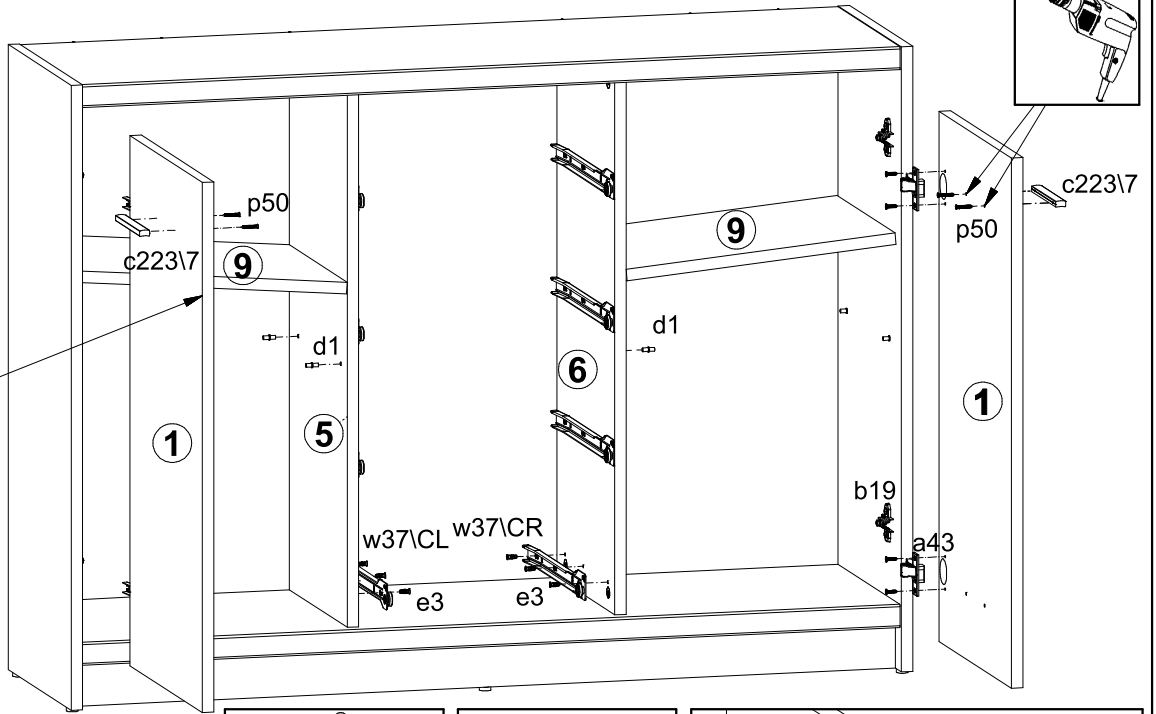
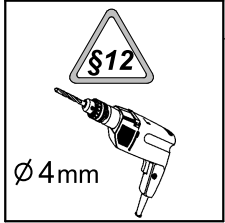
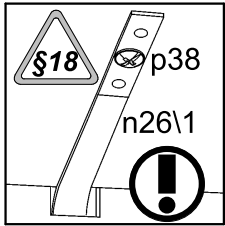
# 3



# 4



# 5



# 6

