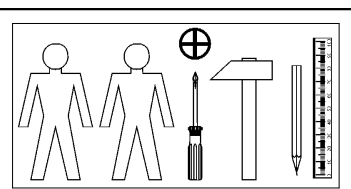
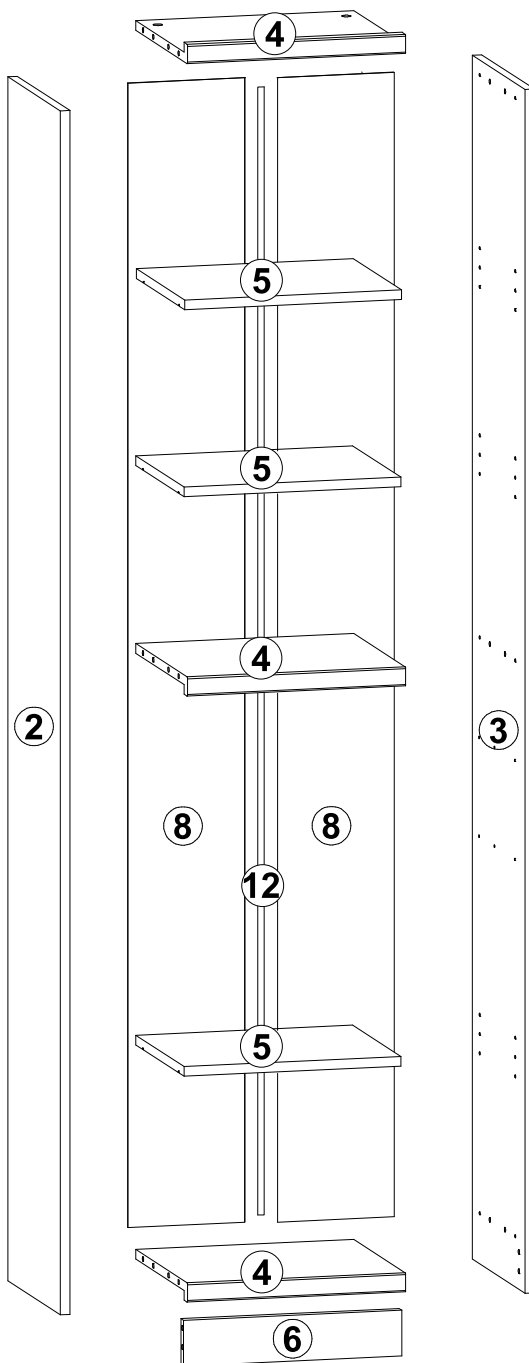
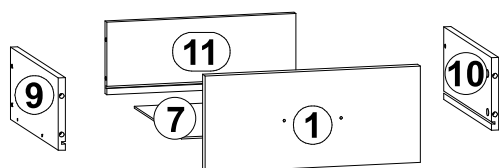


# ОПЕН

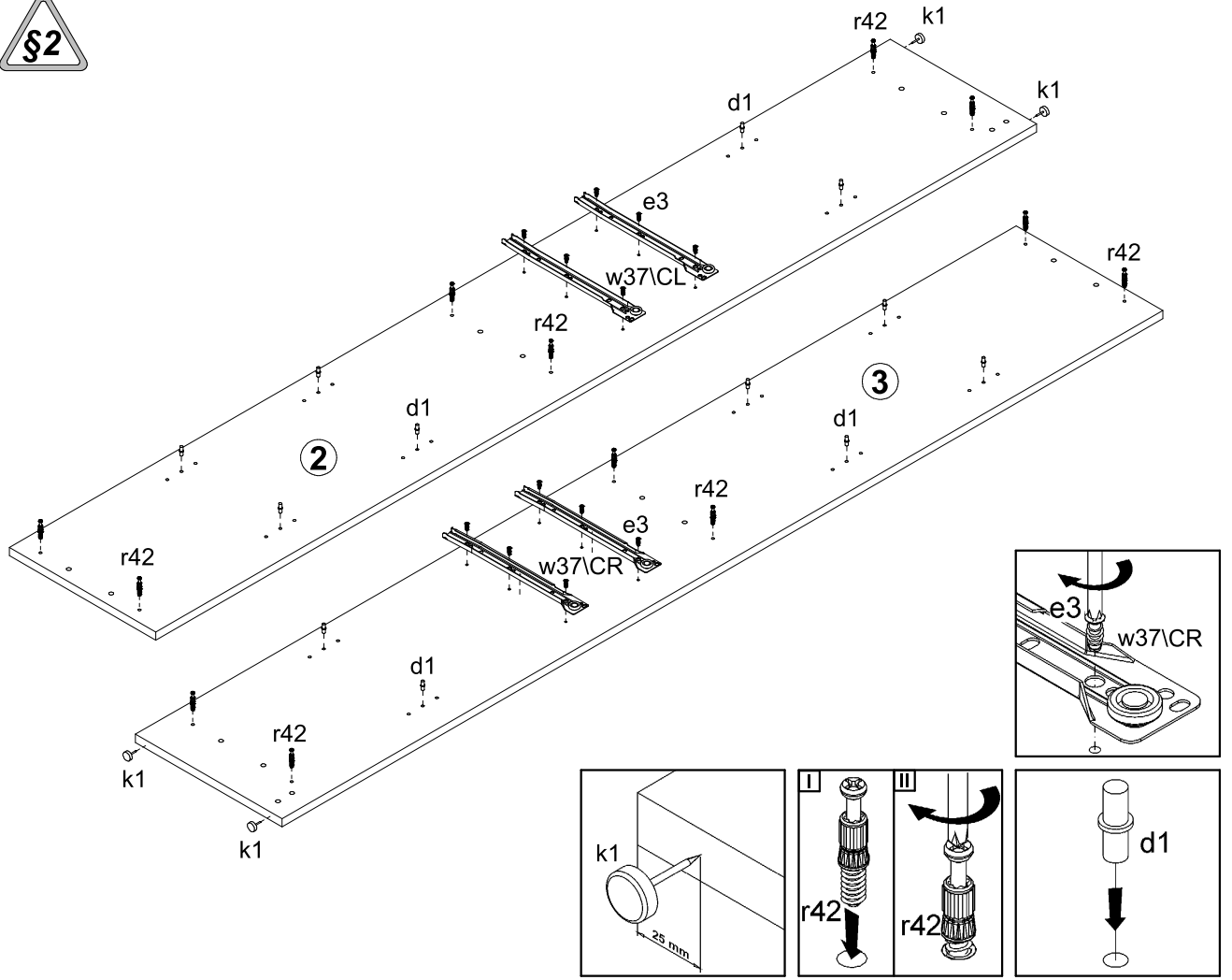
Стелаж / Стеллаж \_ REG 2S 40

A	B	C		D
1	S133-022	363	160	3/3
2	S133-145	1995	332	1/3
3	S133-146	1995	332	1/3
4	S133-340	368	326	2/3
5	S133-342	368	304	2/3
6	S133-415	368	76	2/3
7	S133-922	326	299	2/3
8	S133-1923	1896	197	1/3
9	S133-507	300	120	2/3
10	S133-508	300	120	2/3
11	S133-5553	311	120	2/3
12	LH-1869	1869	14	1/3

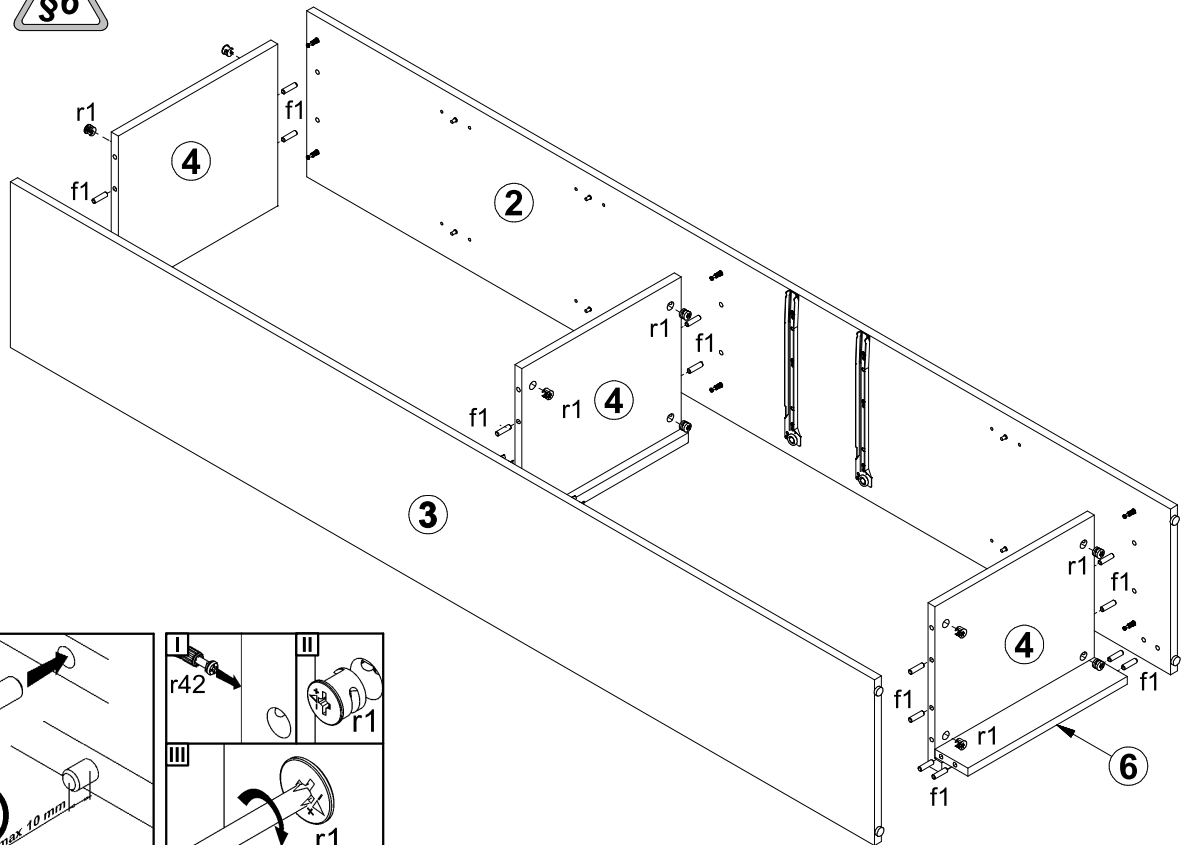


2x 126 mm c223\7	12x φ5x17 mm d1	8x φ5x9 mm e19	12x φ6x13 mm e3	16x φ8x30 mm f1	8x φ5x50 mm e32	4x k1	50x l1	4x φ2,9x24 mm p50
20x φ15x12mm #16 r1	8x φ16 s2	20x r42	2x 300 mm w37\CL	2x 300 mm w37\CR	2x 300 mm w37\DL	2x 300 mm w37\DR	1x φ3,5x16 mm p38	1x n26\1

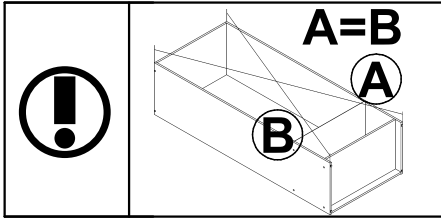
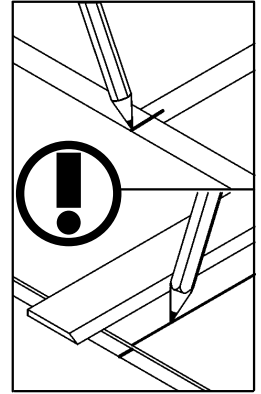
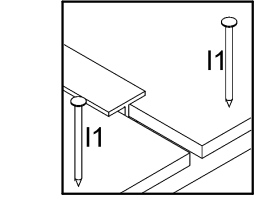
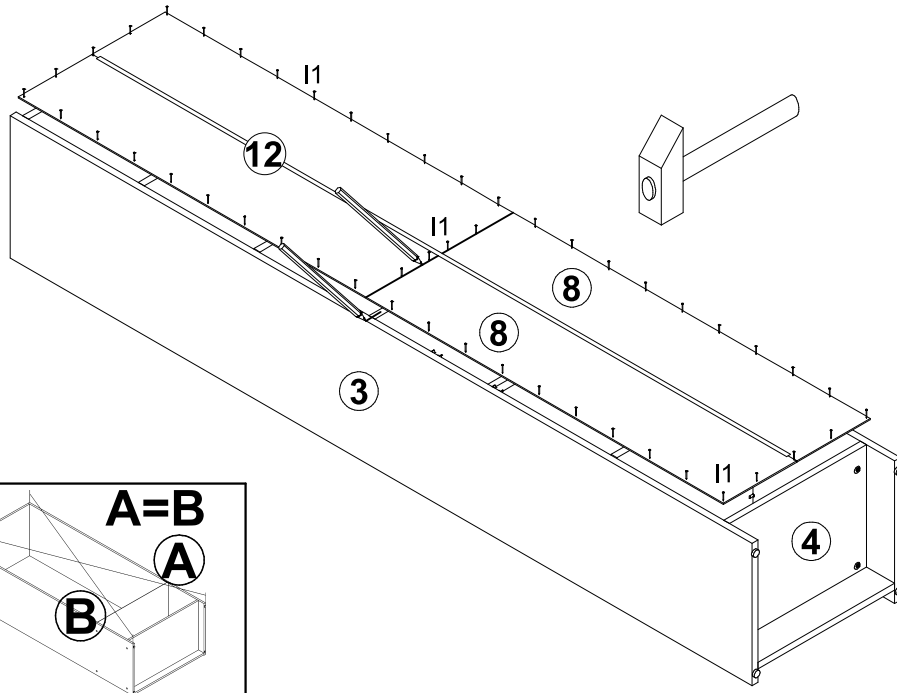
# 1



# 2



# 3



# 4

