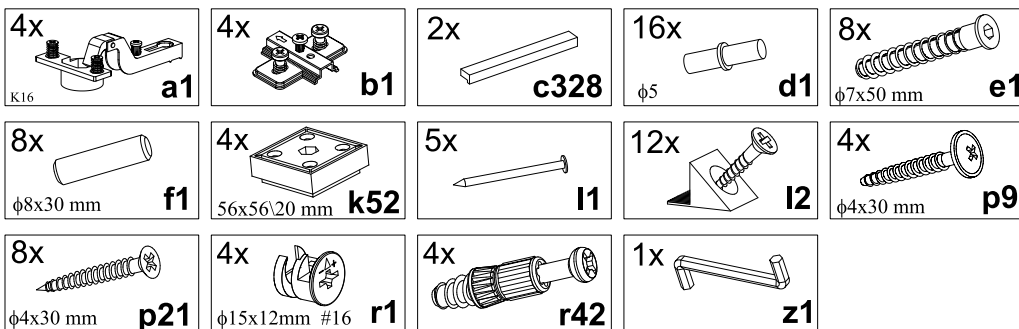
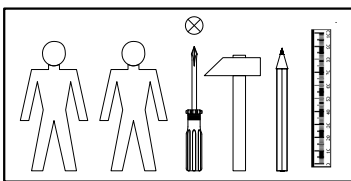


A	B	C	D
1	S171-001	719x376	1/2
2	S171-121-01	2148x346	1/2
3	S171-122-01	2148x346	1/2
4	S171-202	791x350	2/2
5	S171-203	791x350	2/2
6	S171-302-01	758x307	2/2
7	S171-304-01	758x307	2/2
8	S171-901	2162x385	1/2
9	LH-2147	2147x14	1/2



СТРІЧКА БЕЗПЕКИ

ПРЕДОХРАНИТЕЛЬНАЯ ПЕЧАТКА / TAĞAMA ZARFIYERİSİZLİĞİ

THE ANTI-TOPPLE DEVICE / DAS SICHERUNGSBAND

ATTENTION: This device is a safety device. It is not intended for use as a handle or for any other purpose. It is only for use on the back of the cabinet to prevent it from tipping over. It is not intended for use on any other surface. It is not intended for use on any other surface. It is not intended for use on any other surface.

ATTENTION: This device is a safety device. It is not intended for use as a handle or for any other purpose. It is only for use on the back of the cabinet to prevent it from tipping over. It is not intended for use on any other surface. It is not intended for use on any other surface.

ATTENTION: This device is a safety device. It is not intended for use as a handle or for any other purpose. It is only for use on the back of the cabinet to prevent it from tipping over. It is not intended for use on any other surface. It is not intended for use on any other surface.

ATTENTION: This device is a safety device. It is not intended for use as a handle or for any other purpose. It is only for use on the back of the cabinet to prevent it from tipping over. It is not intended for use on any other surface. It is not intended for use on any other surface.

ATTENTION: This device is a safety device. It is not intended for use as a handle or for any other purpose. It is only for use on the back of the cabinet to prevent it from tipping over. It is not intended for use on any other surface. It is not intended for use on any other surface.

ATTENTION: This device is a safety device. It is not intended for use as a handle or for any other purpose. It is only for use on the back of the cabinet to prevent it from tipping over. It is not intended for use on any other surface. It is not intended for use on any other surface.

ATTENTION: This device is a safety device. It is not intended for use as a handle or for any other purpose. It is only for use on the back of the cabinet to prevent it from tipping over. It is not intended for use on any other surface. It is not intended for use on any other surface.

ATTENTION: This device is a safety device. It is not intended for use as a handle or for any other purpose. It is only for use on the back of the cabinet to prevent it from tipping over. It is not intended for use on any other surface. It is not intended for use on any other surface.

ATTENTION: This device is a safety device. It is not intended for use as a handle or for any other purpose. It is only for use on the back of the cabinet to prevent it from tipping over. It is not intended for use on any other surface. It is not intended for use on any other surface.

ATTENTION: This device is a safety device. It is not intended for use as a handle or for any other purpose. It is only for use on the back of the cabinet to prevent it from tipping over. It is not intended for use on any other surface. It is not intended for use on any other surface.

