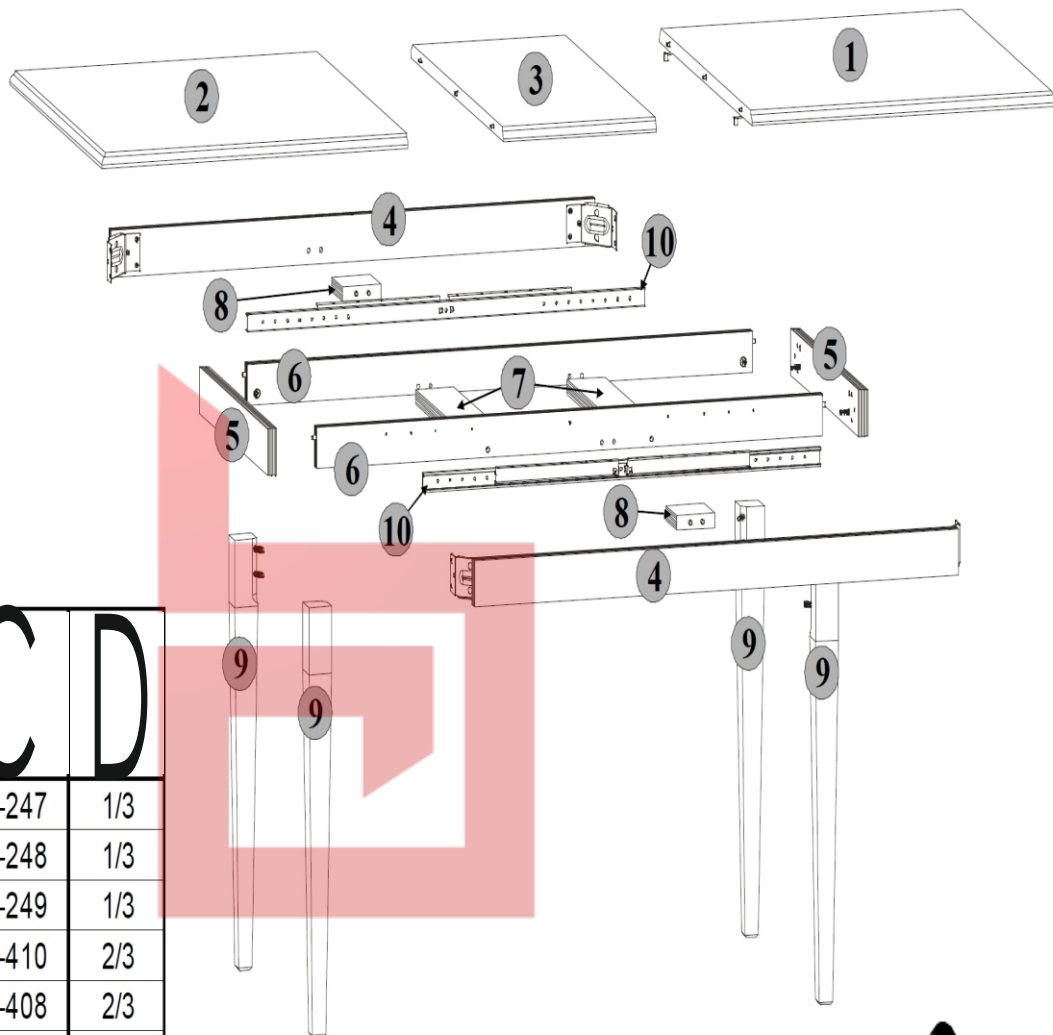
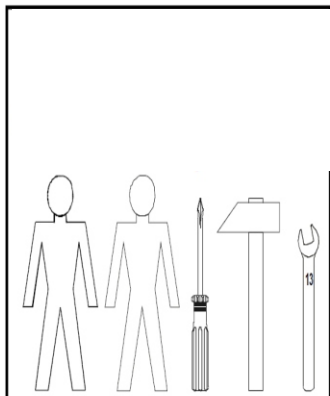
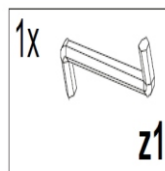
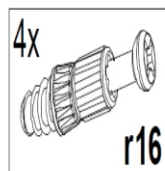
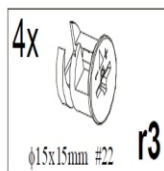
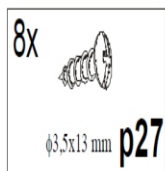
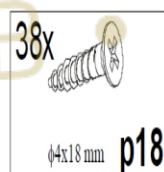
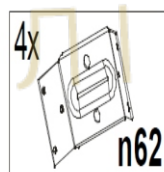
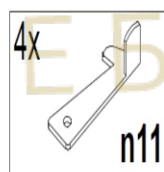
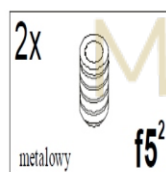
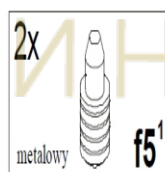
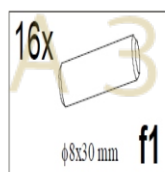
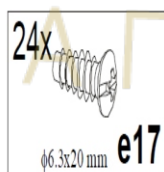
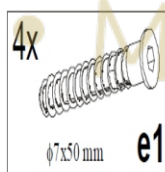


STYLIUS

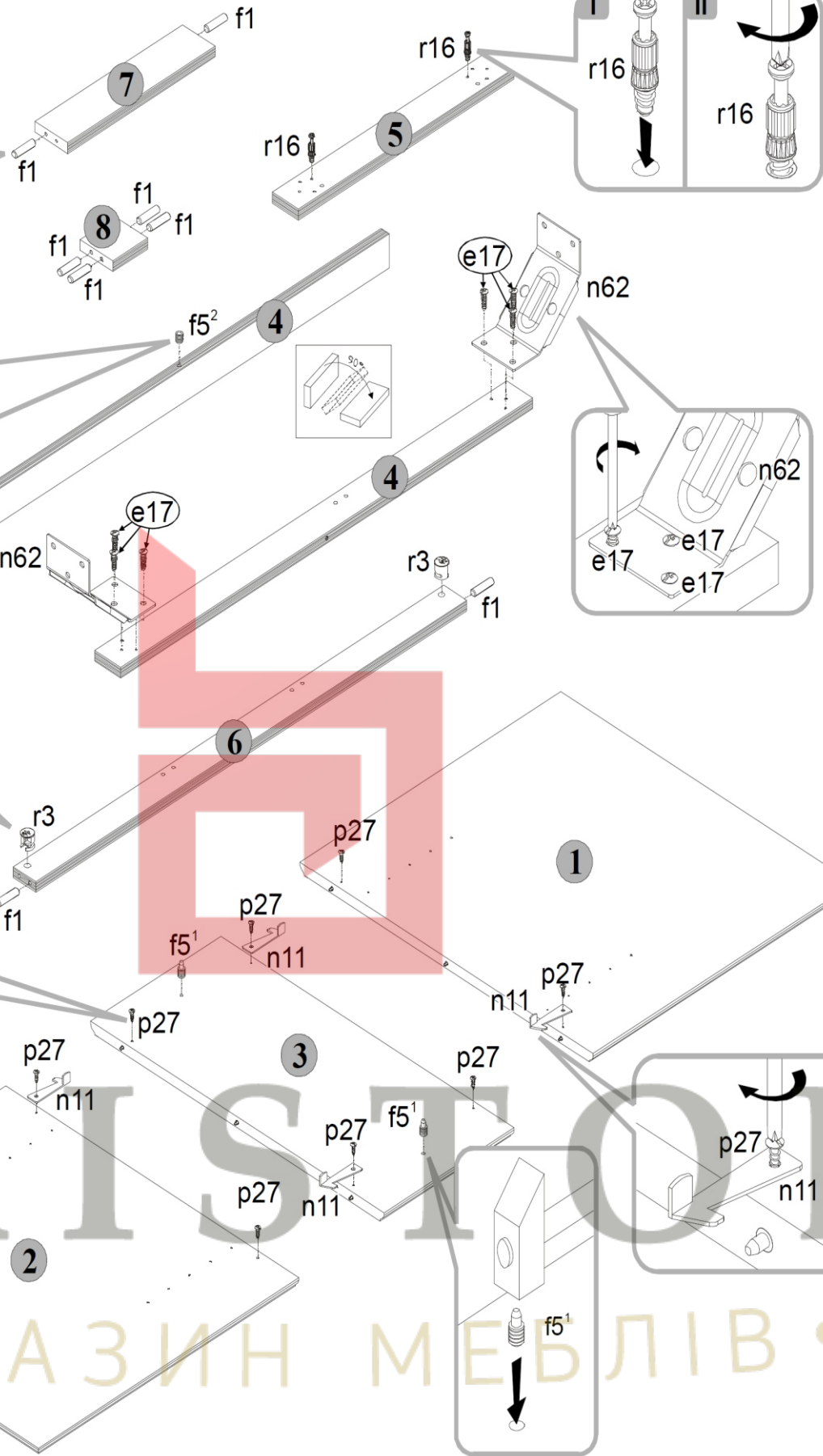
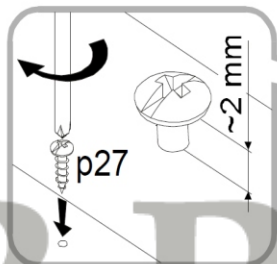
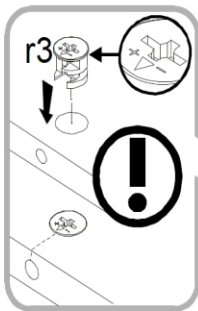
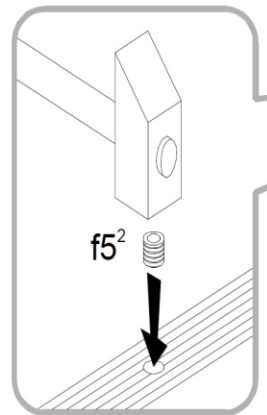
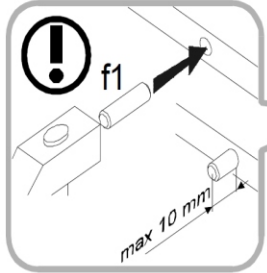
NSTO



A	B	C	D
1	850x725	S21-247	1/3
2	850x725	S21-248	1/3
3	850x350	S21-249	1/3
4	1200x80	S21-410	2/3
5	600x80	S21-408	2/3
6	1256x70	S21-409	2/3
7	392x100	S21-411	2/3
8	107x100	S21-412	2/3
9	740x60	S21-1596	3/3
10	1040	w11	2/3

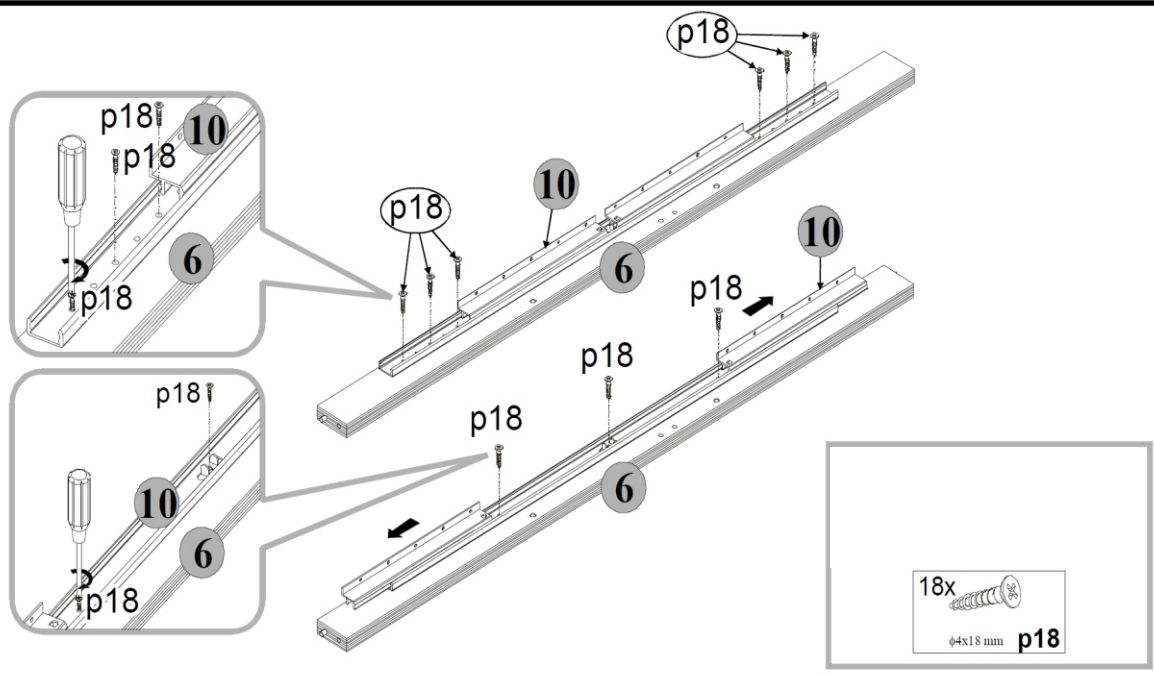


1 NSTO

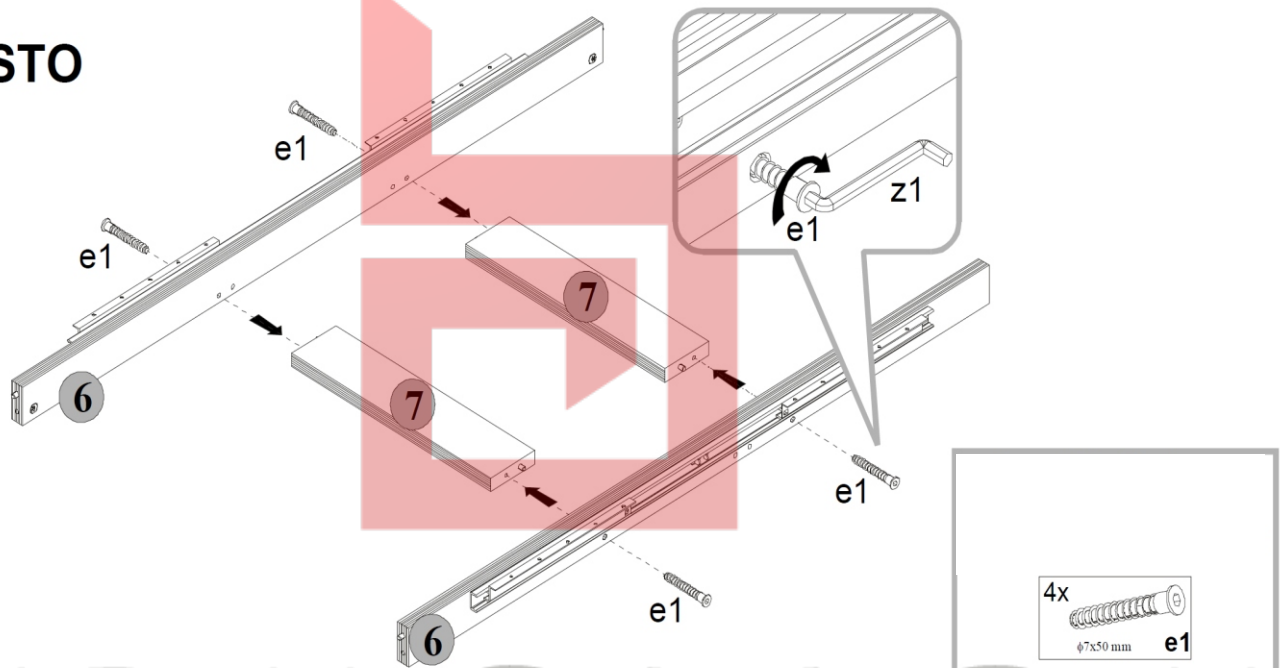


16x φ8x30 mm f1	4x n11	4x n62	2x metalowy f5 ¹	2x metalowy f5 ²	12x φ6.3x20 mm e17
			8x φ3.5x13 mm p27	4x φ1.5x1.5mm #22 r3	4x r16

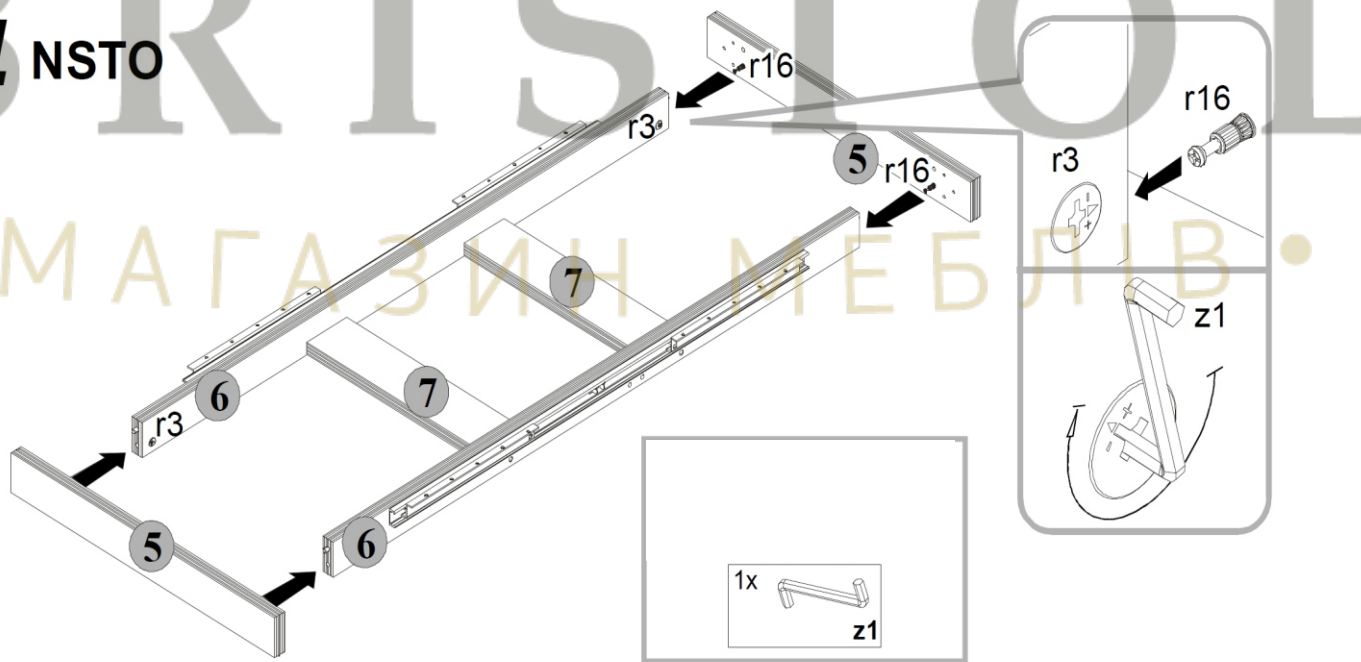
2 NSTO



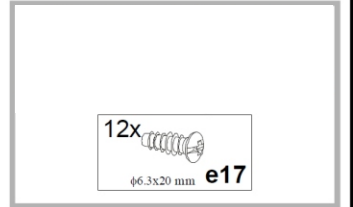
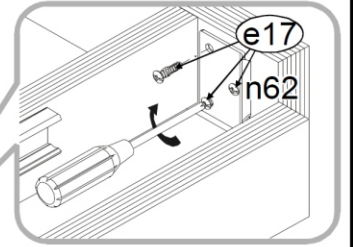
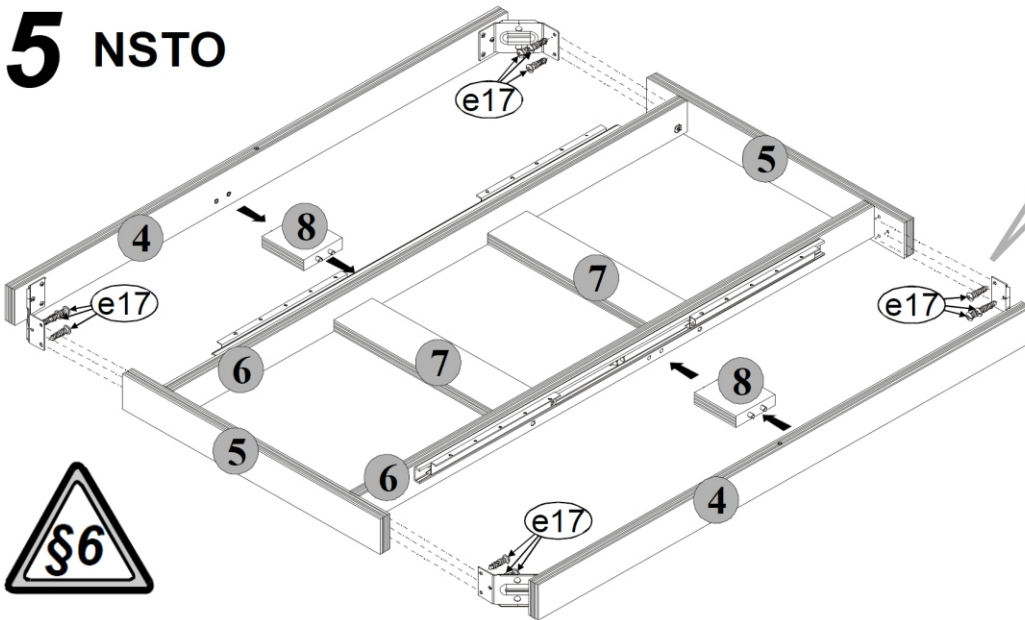
3 NSTO



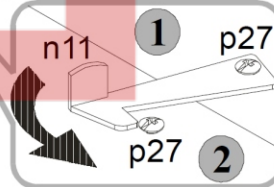
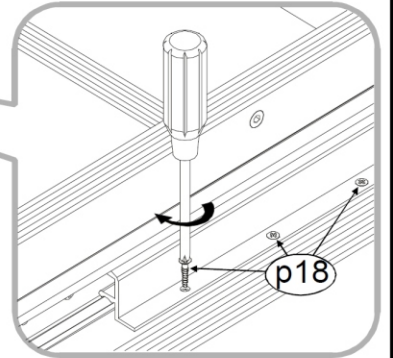
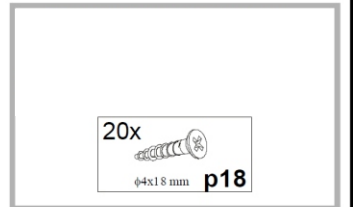
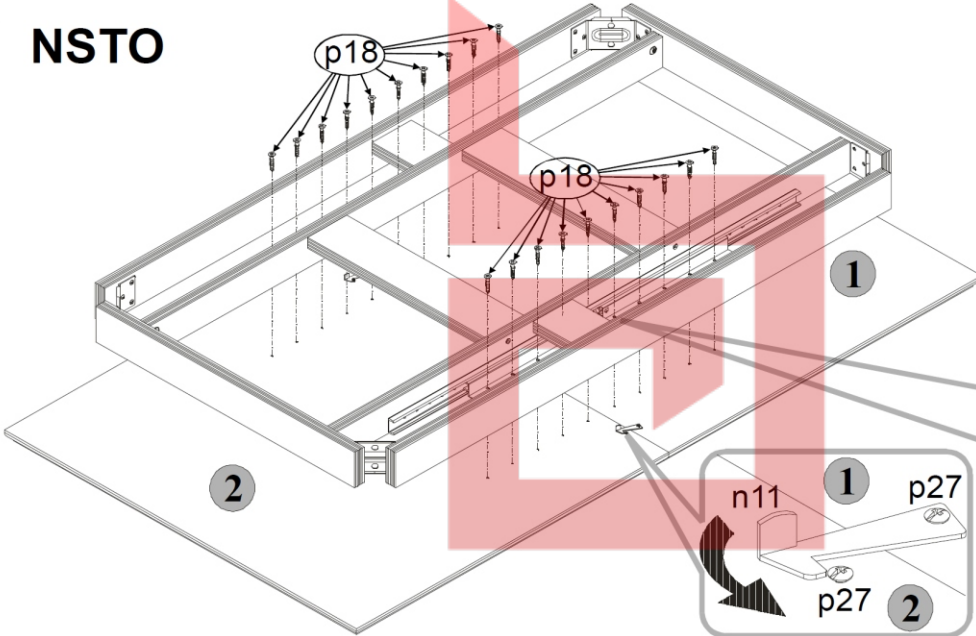
4 NSTO



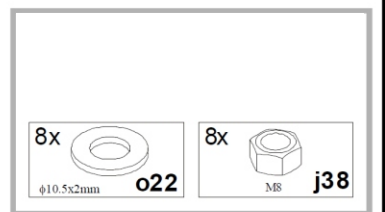
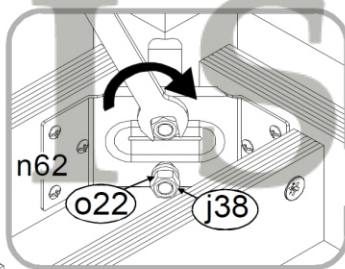
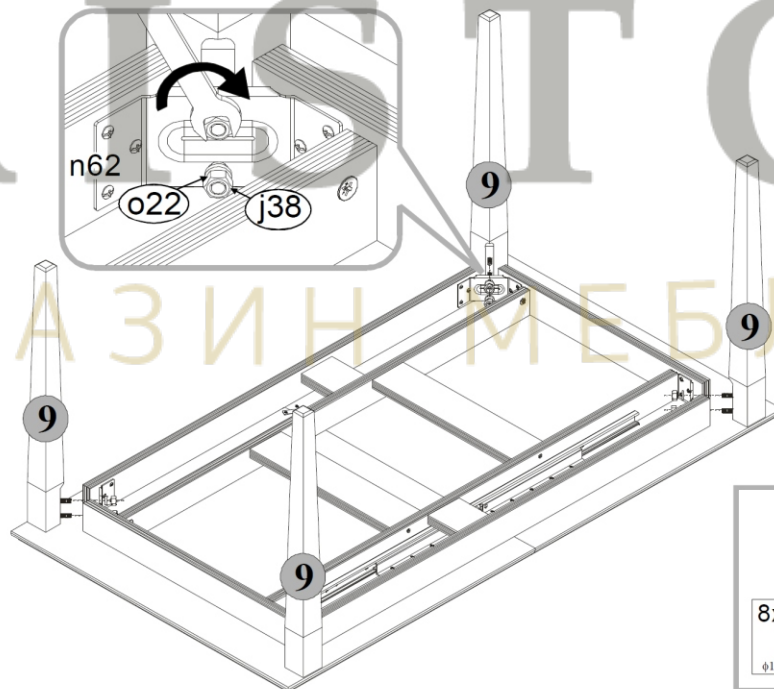
5 NSTO



6 NSTO

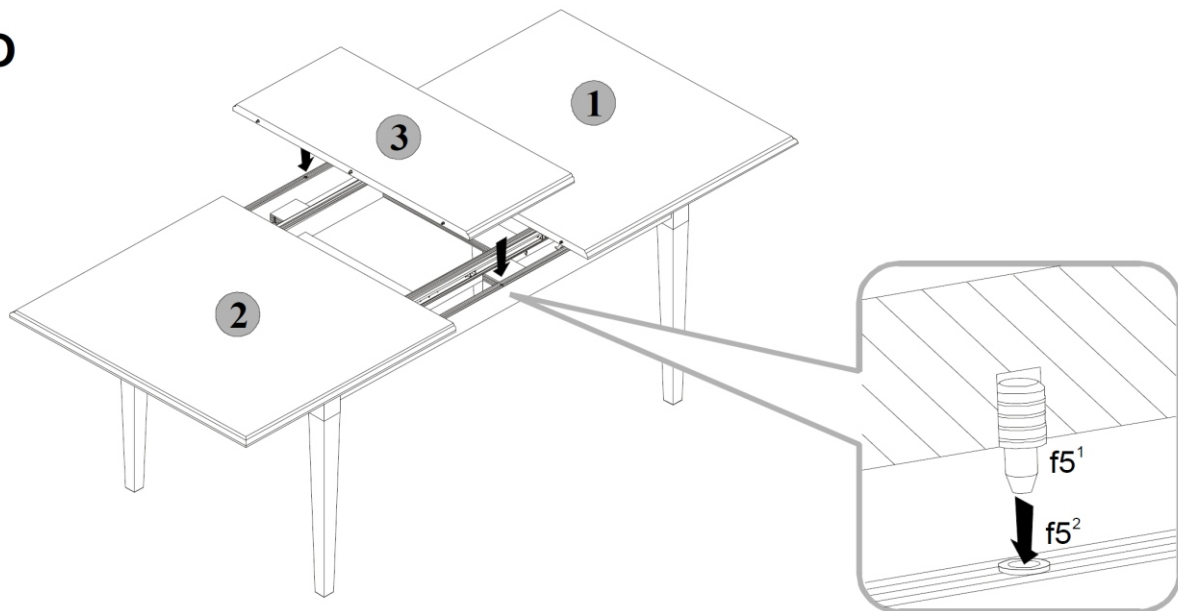


7 NSTO

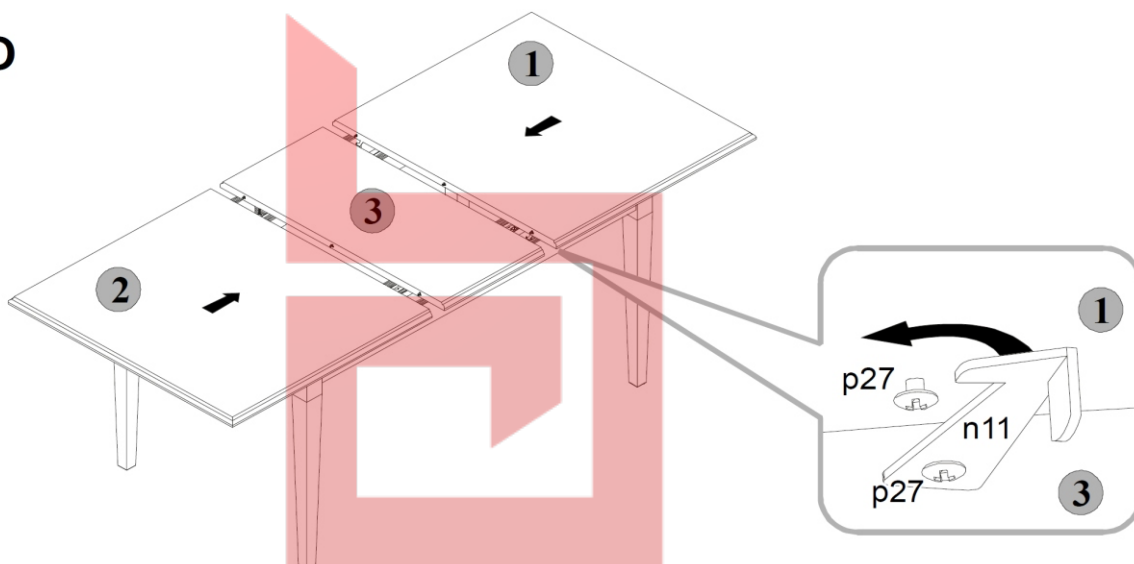


BRISTOL
• МАГАЗИН МЕБЛІВ •

8 NSTO



9 NSTO



10 NSTO



P28-S21-NSTO-M_IN8-KOR02