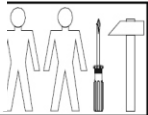
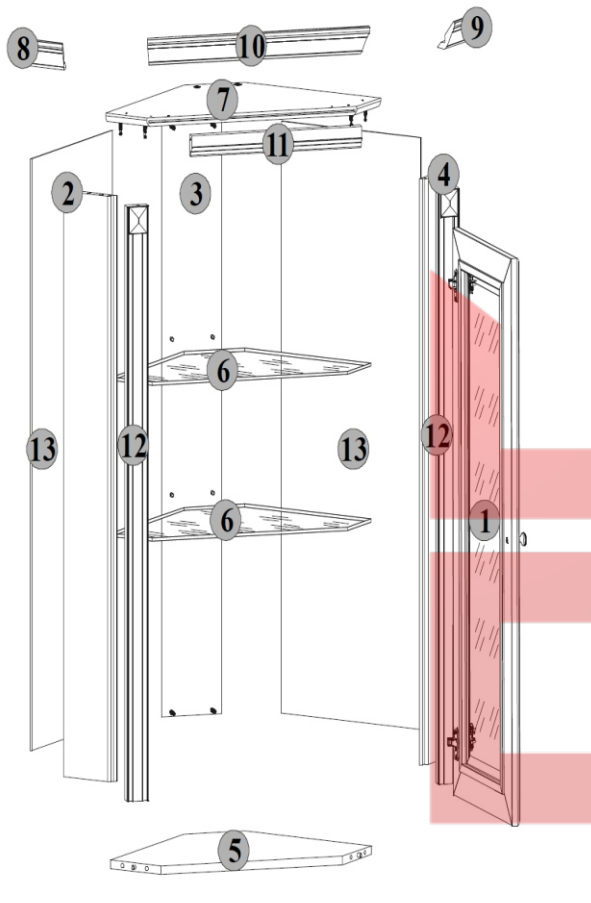


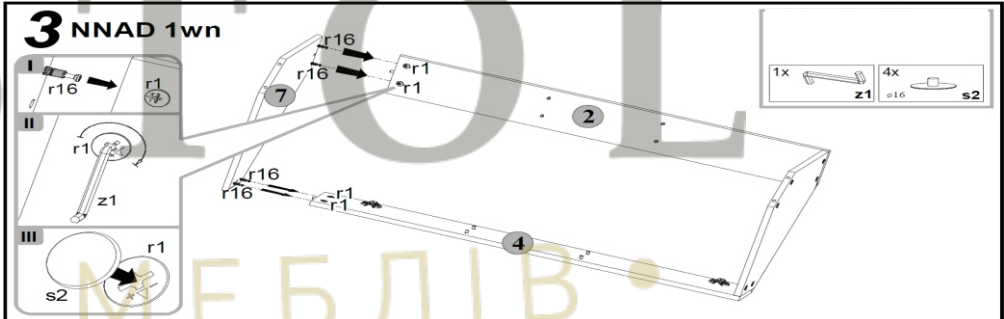
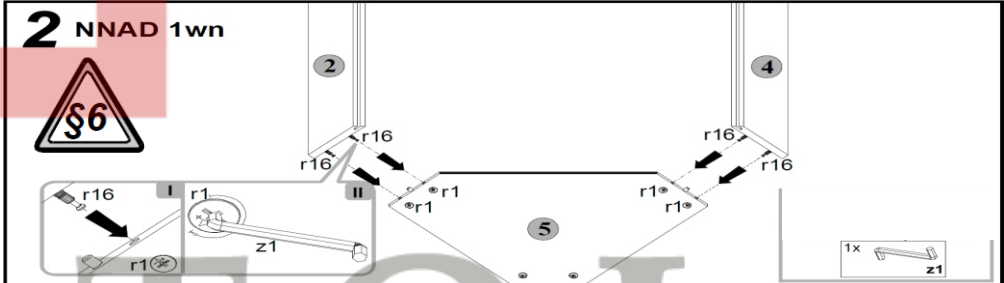
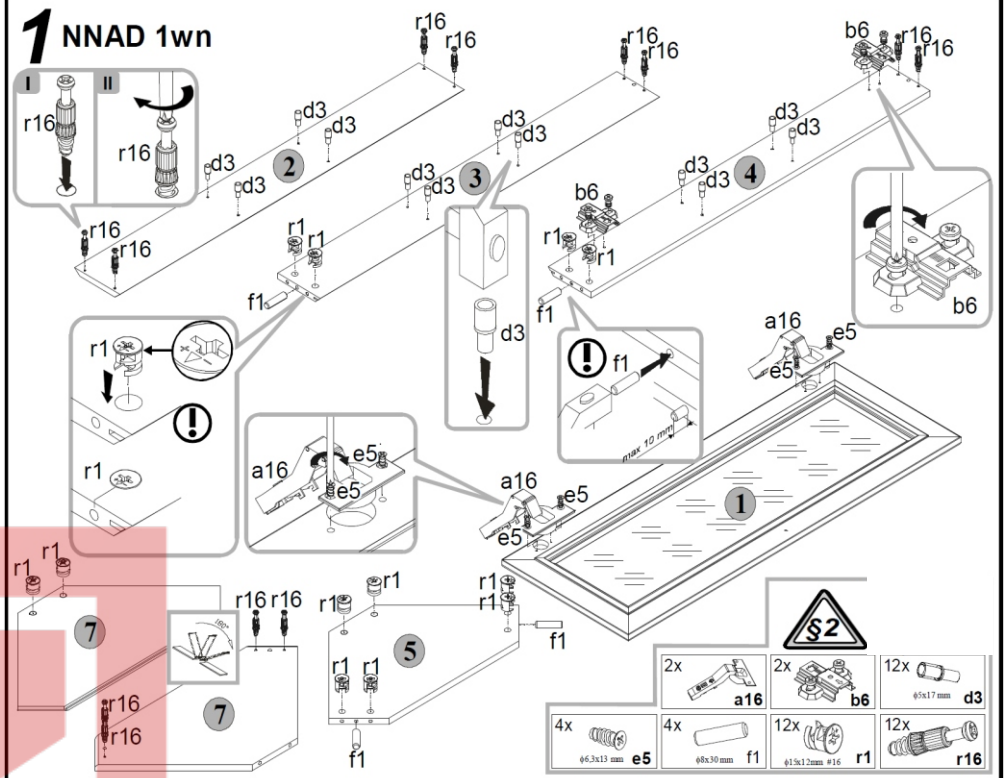
# STYLIUS

## NNAD 1wn

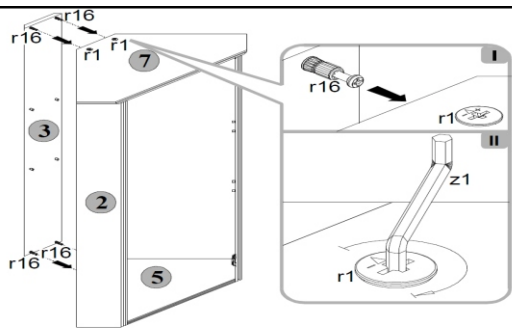
A	B	C	D
1	1042x396	S21-043	4/4
2	1078x131	S21-140	1/4
3	1094x142	S21-144	1/4
4	1078x131	S21-141	1/4
5	434x434	S21-327	1/4
6	433x433	S21-1551	3/4
7	458x458	S21-238	1/4
8	138x79	S21-1592	2/4
9	138x79	S21-1593	2/4
10	524x79	S21-1594	2/4
11	400x40	S21-598	2/4
12	1094x50	S21-597	2/4
13	1089x366	S21-941	1/4



1x  c84 <sup>1</sup>	1x  c84 <sup>2</sup>	12x  d3	4x  e5	4x  f1	10x  f11	1x  j6
55x  l1	2x  l21	2x  n48	2x  n52	6x  n54	6x  p25	6x  p35
6x  p38	4x  p46	12x  r1	12x  r16	4x  s2	1x  y1	1x  z1
2x  a16		2x  b6				

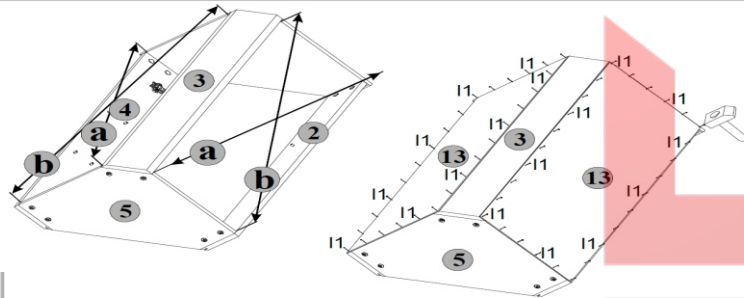
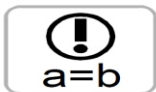


#### 4 NNAD 1wn



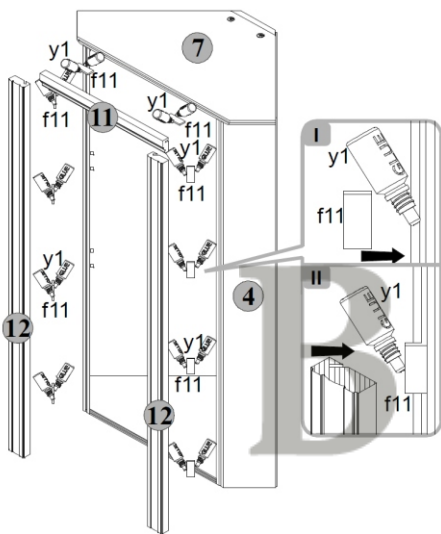
1x z1

#### 5 NNAD 1wn



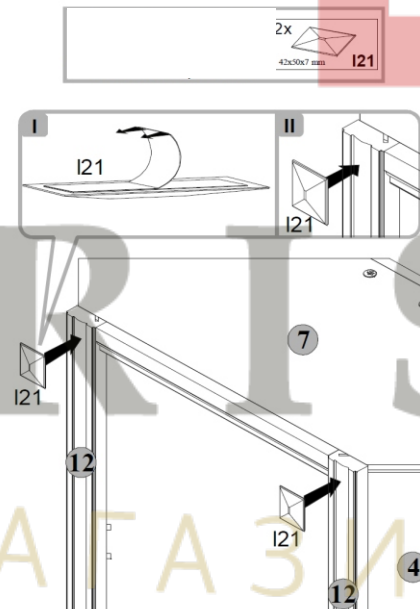
55x l1

#### 6 NNAD 1wn

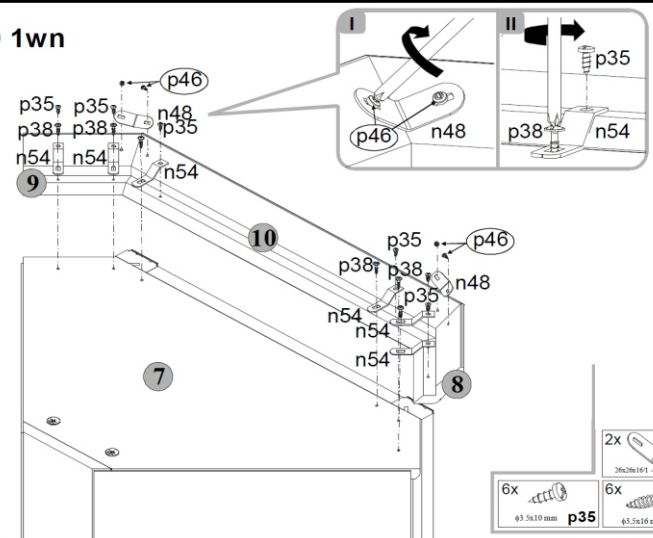


10x 46x184 mm f11  
1x y1

#### 7 NNAD 1wn

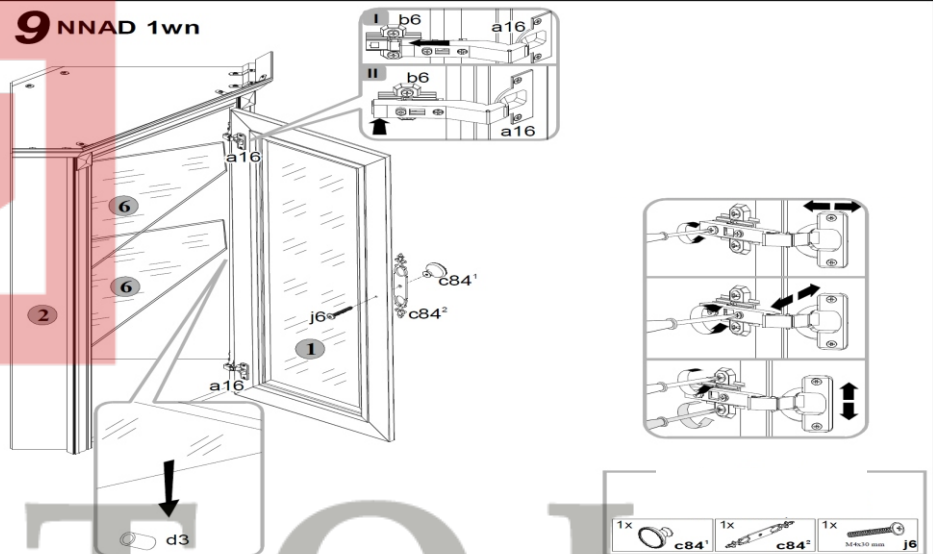


#### 8 NNAD 1wn



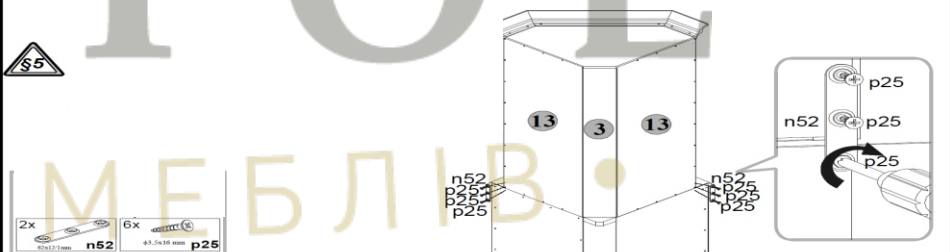
2x 26x36x161-110° n48  
6x 50x121x131.5mm n54  
6x 43.5x10 mm p35  
6x 43.5x16 mm p38  
6x 43x7 mm p46

#### 9 NNAD 1wn



1x c84'  
1x c84''  
1x 34x30 mm j6

#### 10 NNAD 1wn



2x 60x117 mm n52  
6x 43.5x16 mm p25