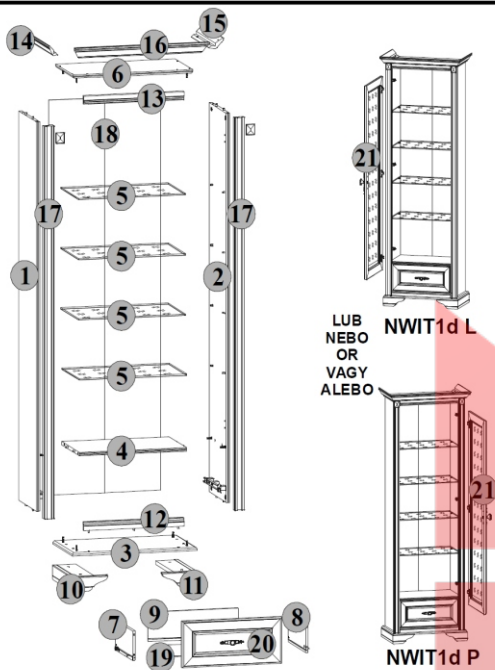


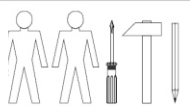
# STYLIUS NWIT 1d

A	B	C	D
1	1857x328	S21-104	1/7
2	1857x328	S21-105	1/7
3	623x361	S21-208	2/7
4	534x328	S21-305	1/7
5	532x310	S21-553	3/7
6	598x328	S21-209	2/7
7	320x140	S21-504	1/7
8	320x140	S21-505	1/7
9	449x140	S21-509	1/7
10	180x365	S21-2575	5/7
11	180x365	S21-2576	5/7
12	500x40	S21-579	4/7
13	500x40	S21-578	4/7
14	387x79	S21-1571	4/7
15	387x79	S21-1572	4/7
16	673x79	S21-1574	4/7
17	1873x50	S21-573	4/7
18	1884x561	S21-908	1/7
19	460x318	S21-909	1/7
20	496x221	S21-011	7/7
21	1564x496	S21-013	6/7



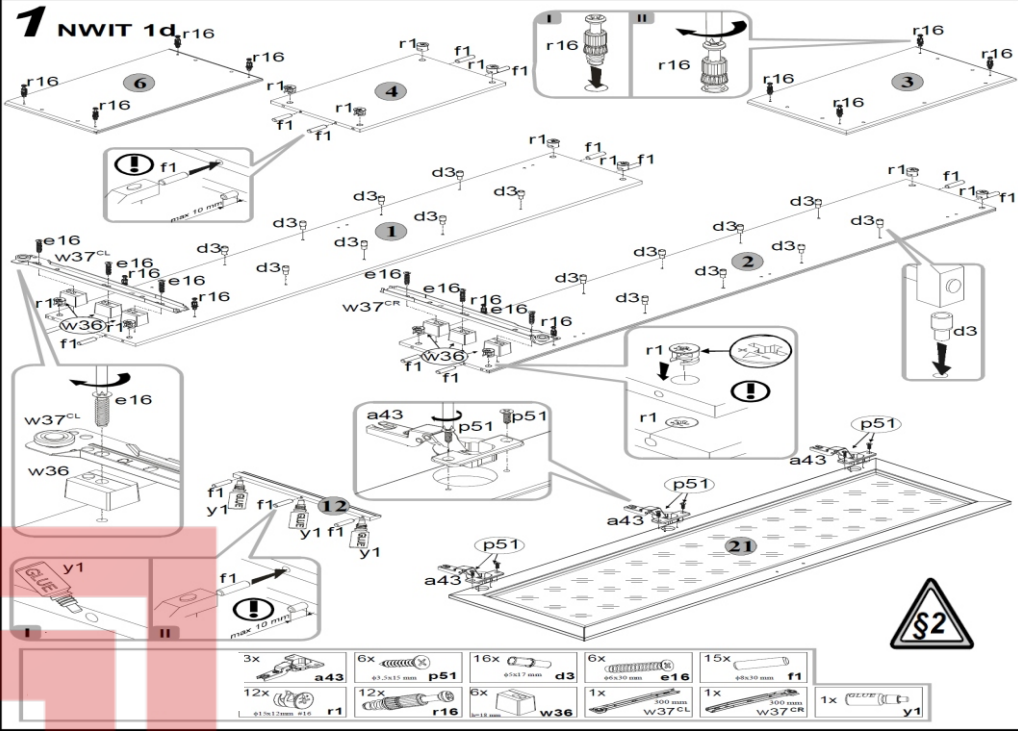
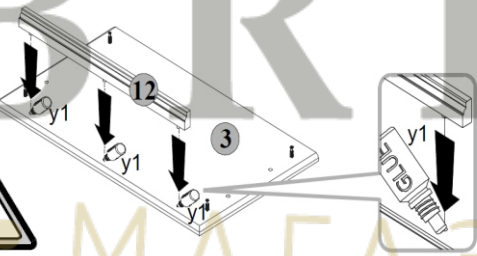
LUB  
NEBO  
OR  
VAGY  
ALEBO

NWIT1d P

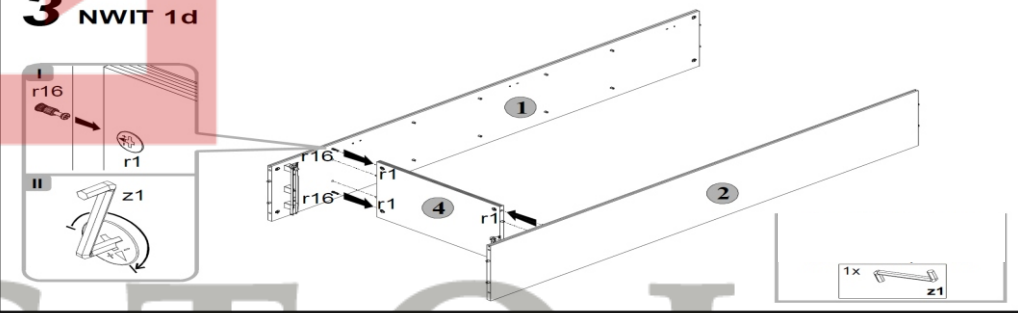


3x a43	3x b18 D22.5	2x c84 <sup>1</sup>	2x c84 <sup>2</sup>	16x d3 φ5x17 mm	6x e2 φ6.3x13 mm	6x e16 φ6x30 mm
4x e19 φ5x9 mm	4x e22 φ7x28 mm	15x f1 φ8x30 mm	14x f11 46x18.4 mm	4x f25 φ6.3x40 mm	1x j6 M4x30 mm	1x j29 M4x14 mm
55x l1	2x l21 42x50x7 mm	2x n40 26x26x161 - 125	2x n54 50x12x13.5x1.5 mm	8x p20 φ3.5x20 mm	2x p35 φ3.5x10 mm	2x p38 φ3.5x16 mm
4x p46 φ3x7 mm	6x p51 φ3.5x15 mm	12x r1 φ1.5x12mm #16	4x r15 φ12x10.5mm #12	16x r16	4x s2 ø16	6x w36 ø18 mm
1x W37 DR 300 mm	1x W37 DL 300 mm	1x W37 CR 300 mm	1x W37 CL 300 mm	1x y1	1x z1	

## 2 NWIT 1d



## 3 NWIT 1d



## 4 NWIT 1d



