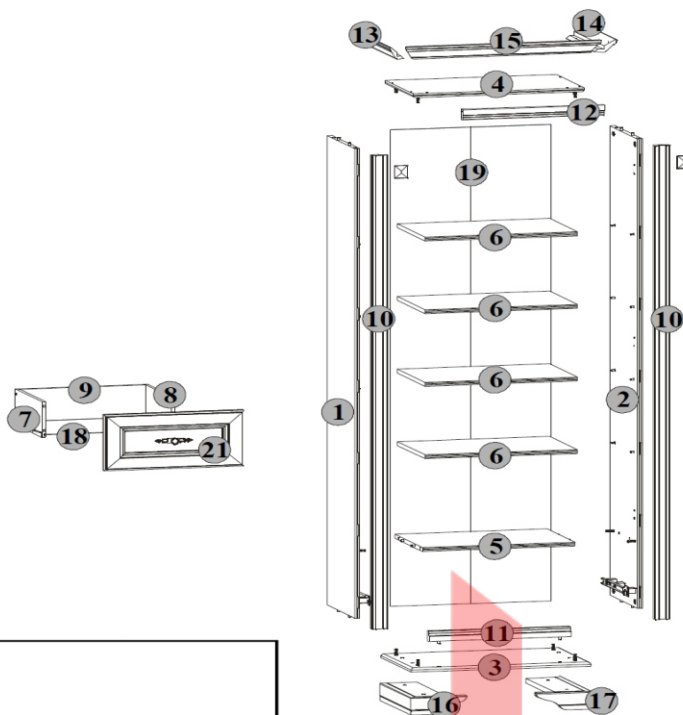


STYLIUS

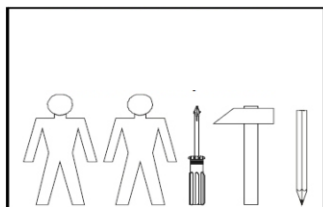
NREG 1d

NREG 1d L

NREG 1d P

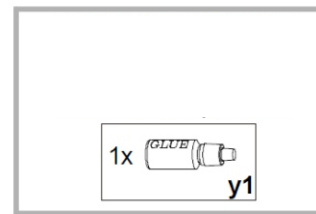
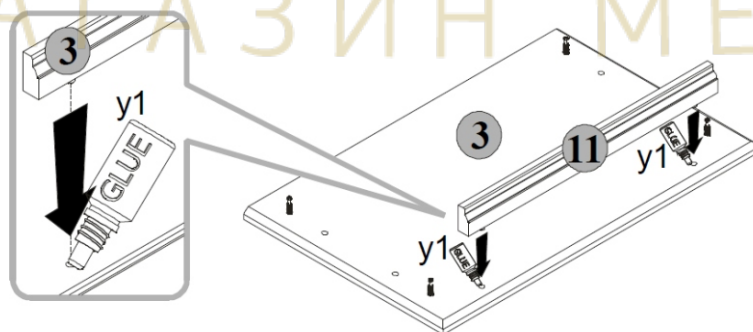


	A	B	C	D
1	1857x328	S21-104	1/6	
2	1857x328	S21-105	1/6	
3	573x361	S21-203	2/6	
4	548x328	S21-207	2/6	
5	484x328	S21-303	1/6	
6	484x327	S21-304	1/6	
7	320x140	S21-504	1/6	
8	320x140	S21-505	1/6	
9	399x140	S21-506	1/6	
10	1873x50	S21-573	3/6	
11	450x40	S21-574	3/6	
12	450x40	S21-575	3/6	
13	387x79	S21-1571	3/6	
14	387x79	S21-1572	3/6	
15	623x79	S21-1573	3/6	
16	180x365	S21-2575	4/6	
17	180x365	S21-2576	4/6	
18	410x318	S21-904	1/6	
19	1884x511	S21-905	1/6	
20	1564x446	S21-010	5/6	
21	446x221	S21-012	6/6	

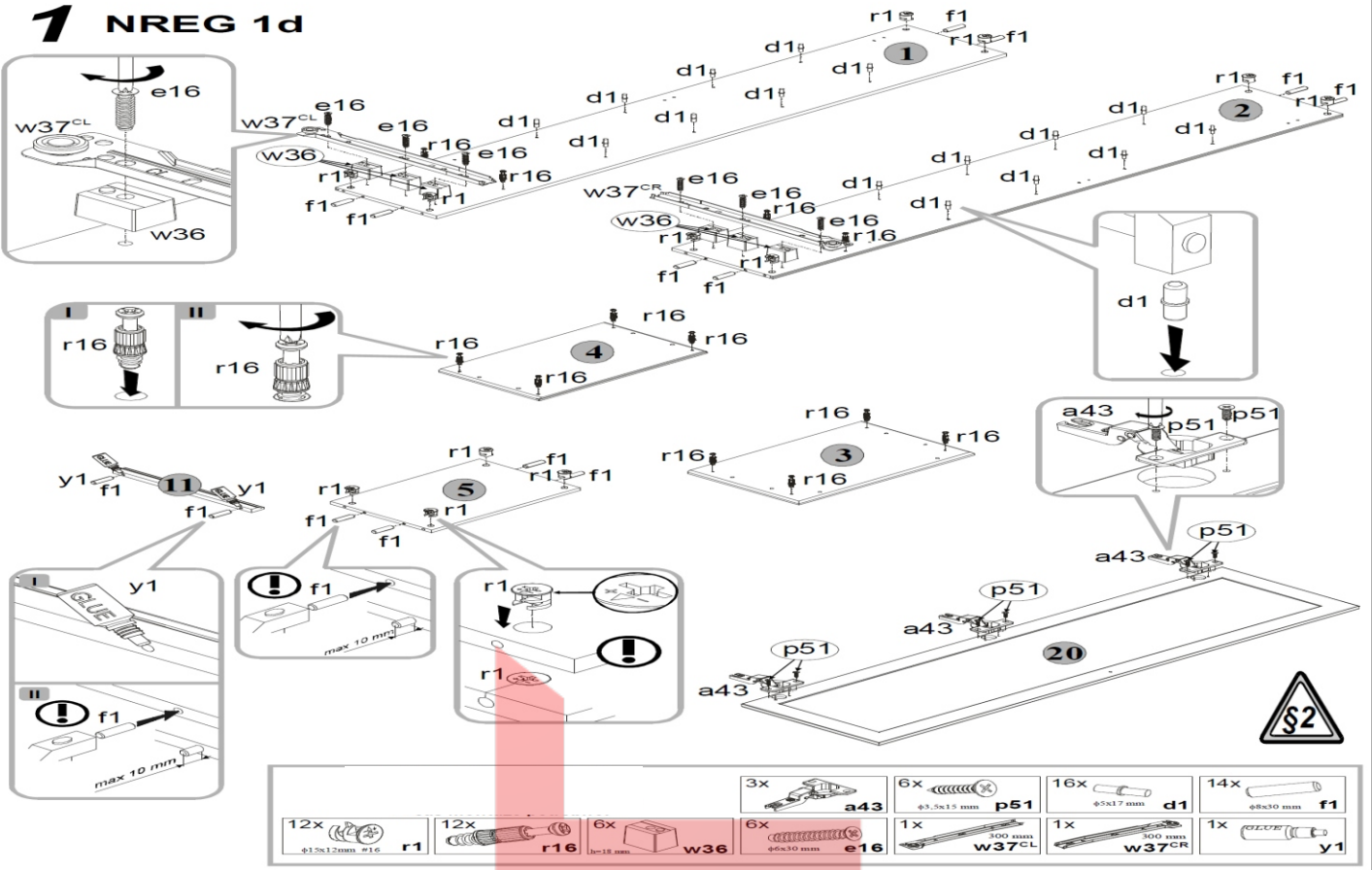


1x y1	1x z1	3x a43	3x b18	2x c84 ¹	2x c84 ²
16x d1 φ5x17 mm	6x e2 φ6.3x13 mm	6x e16 φ6x30 mm	4x e19 φ5x9 mm	4x e22 φ7x28 mm	14x f1 φ8x30 mm
16x f11 46x18/4 mm	4x f25 φ6.5x40 mm	1x j6 M4x30 mm	1x j29 M4x14 mm	55x l1	2x l21 42x50x7 mm
2x n40 26x26x16/1 - 125°	2x n54 50x12x13.5/1.5 mm	4x p20 φ3.5x20 mm	2x p35 φ3.5x10 mm	2x p38 φ3.5x16 mm	4x p46 φ3x7 mm
6x p51 φ3.5x15 mm	12x r1 φ15x12mm #16	4x r15 φ12x10.5mm #12	16x r16	4x s2 ø16	1x w37DR 300 mm
1x w37DL 300 mm	1x w37CR 300 mm	1x w37CL 300 mm	6x w36 h=18 mm		

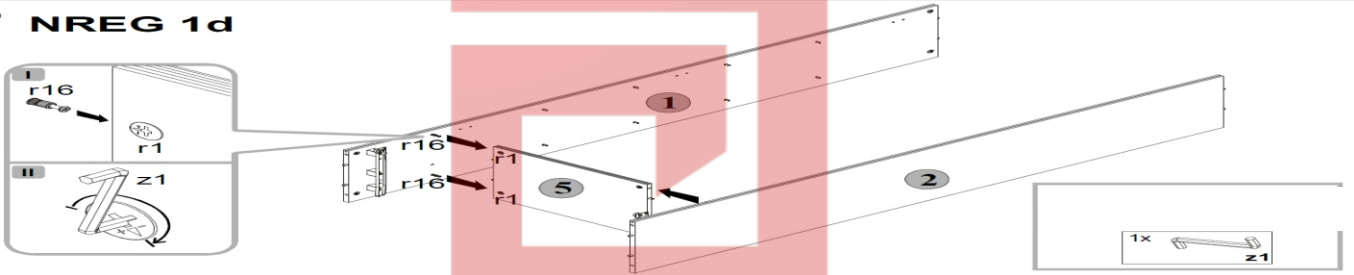
2 NREG 1d



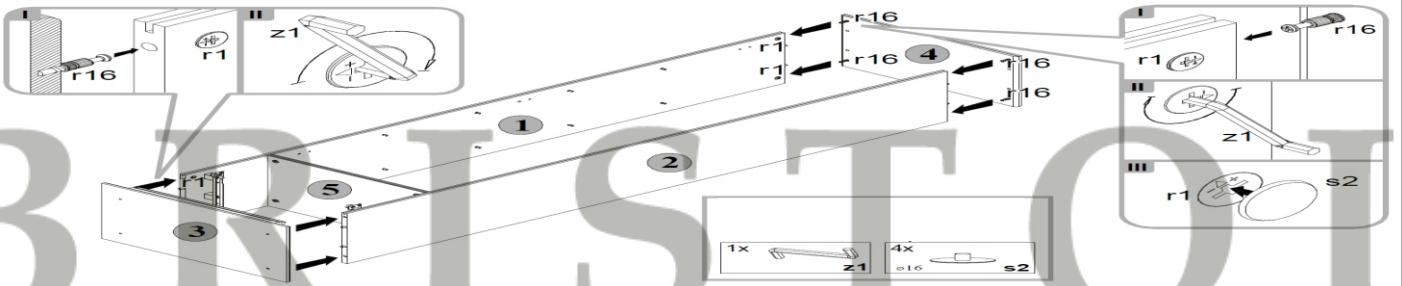
1 NREG 1d



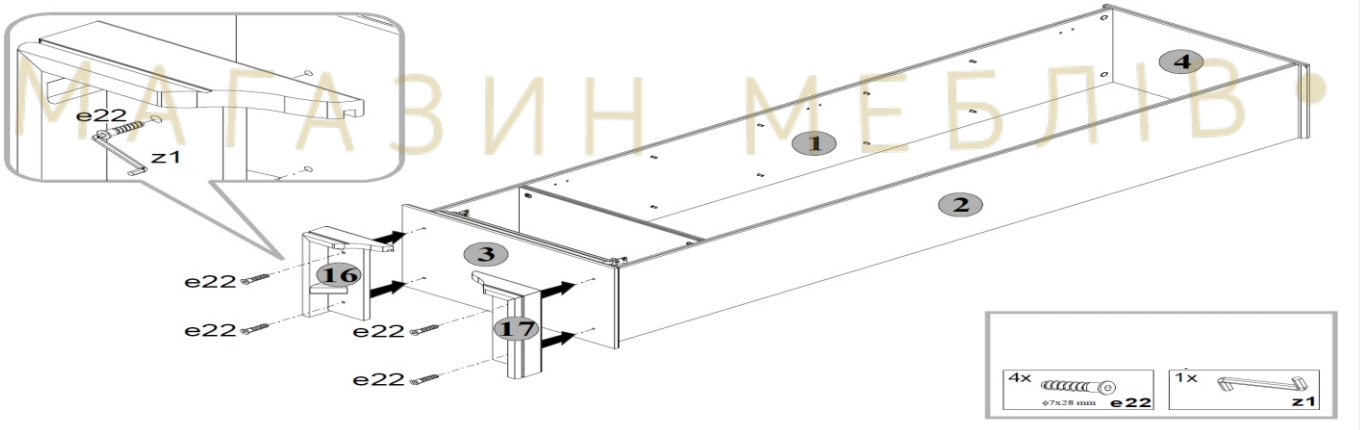
3 NREG 1d



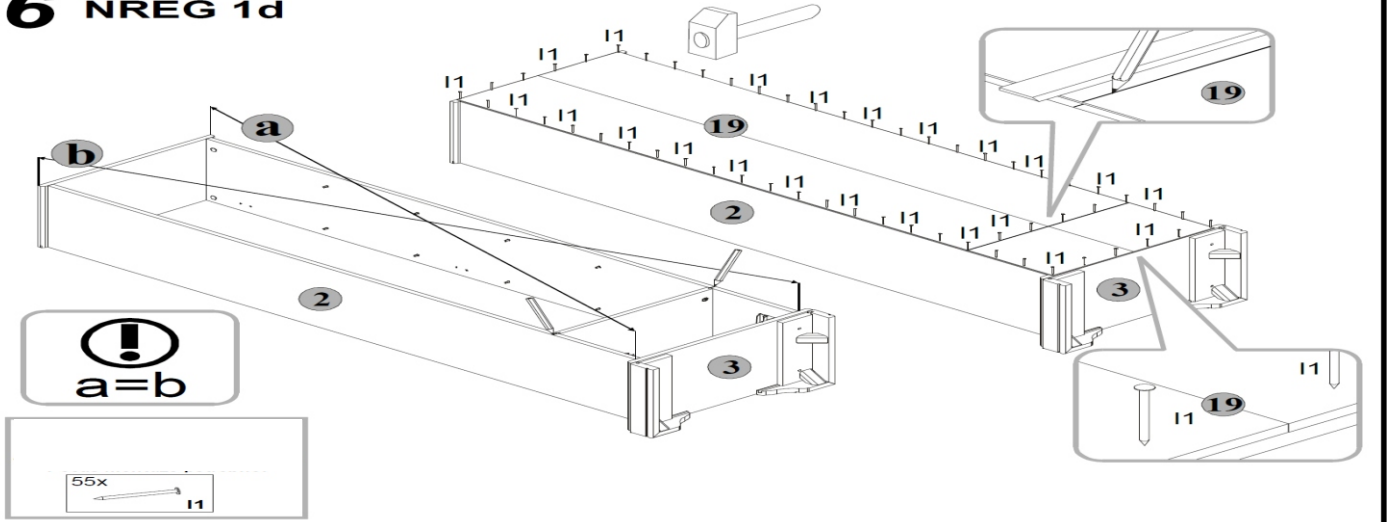
4 NREG 1d



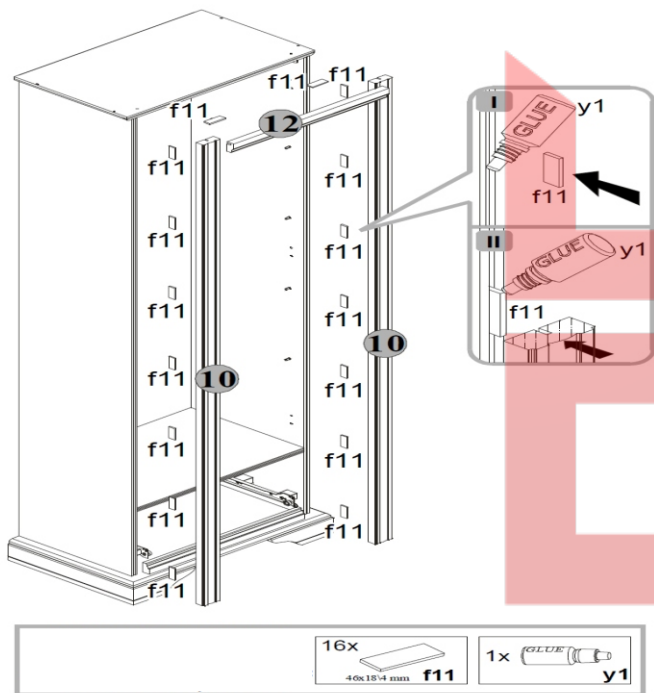
5 NREG 1d



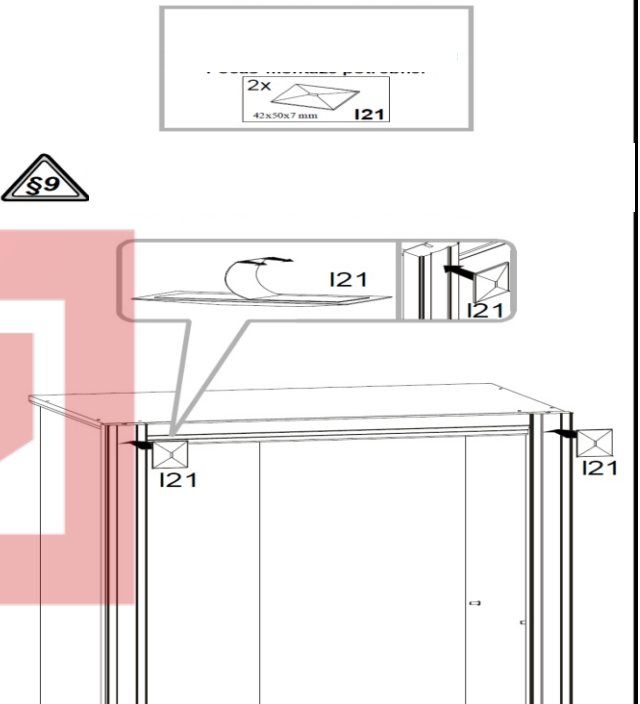
6 NREG 1d



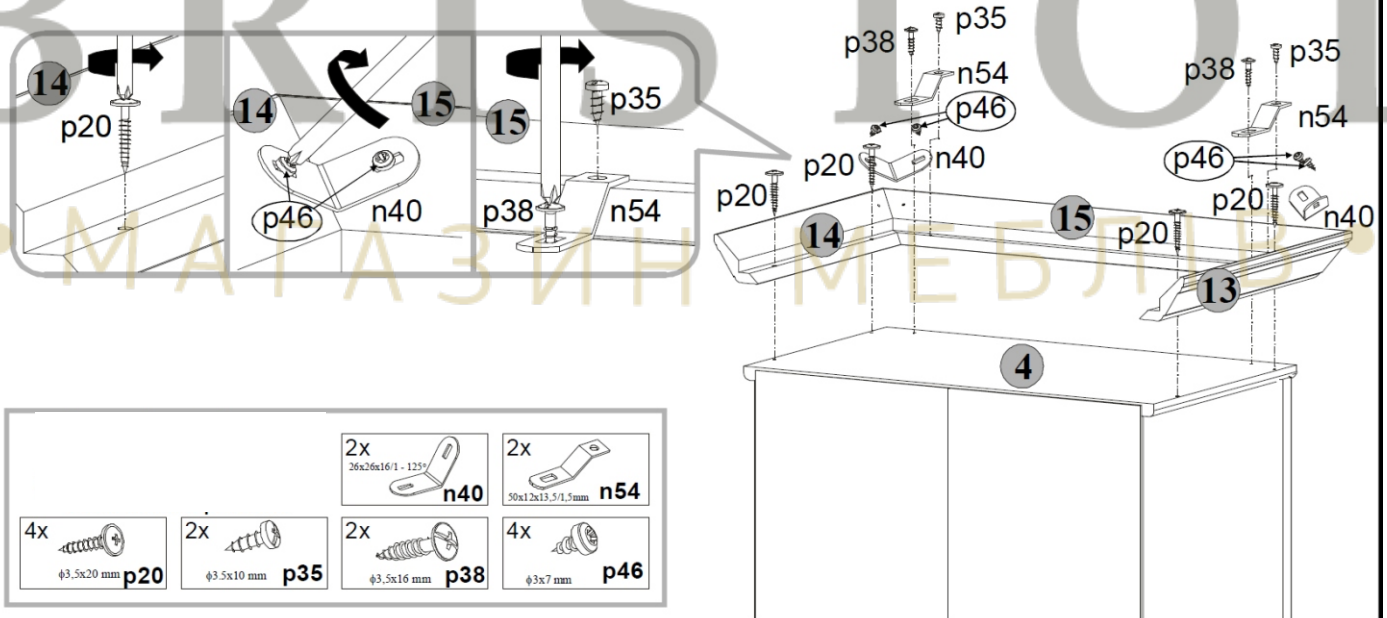
7 NREG 1d



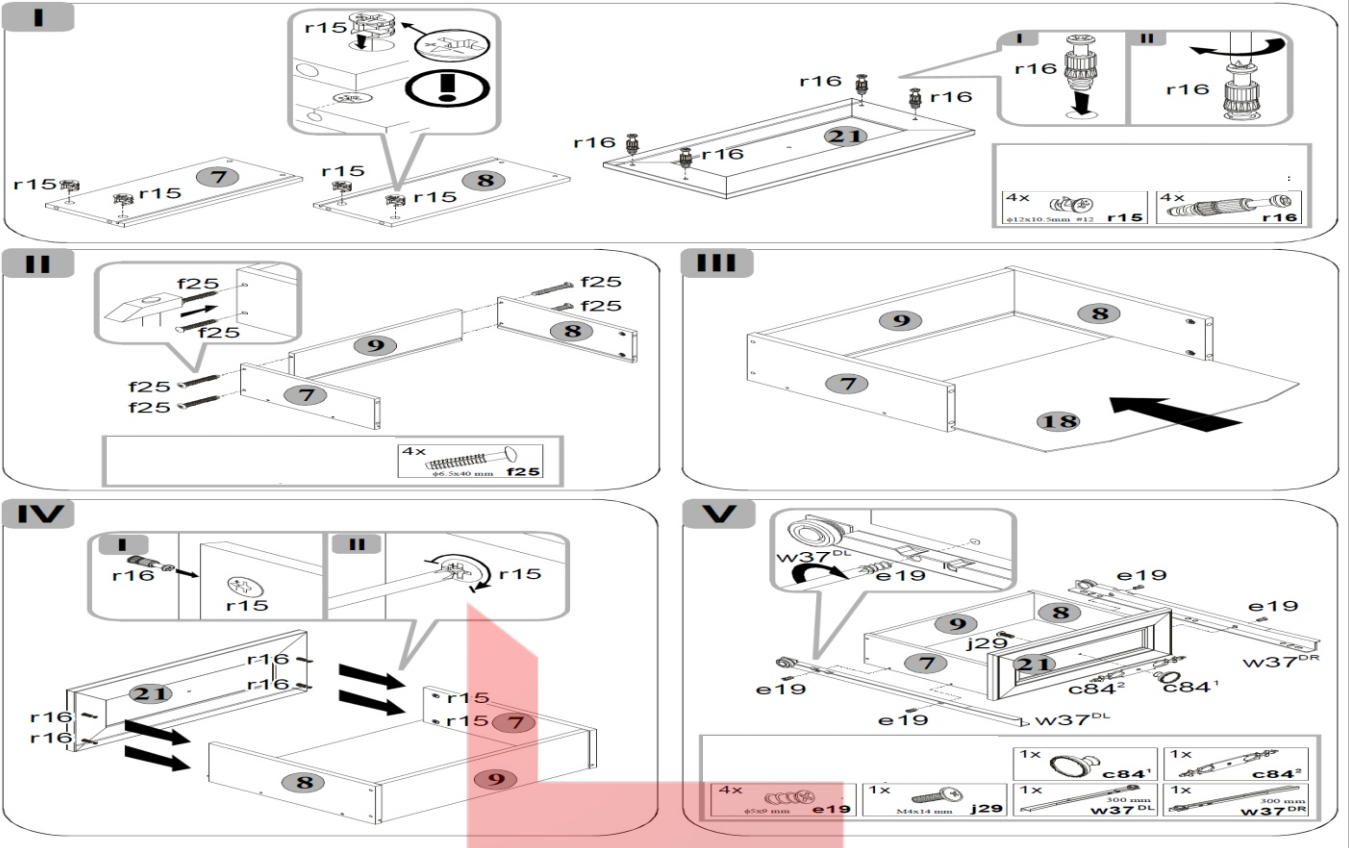
8 NREG 1d



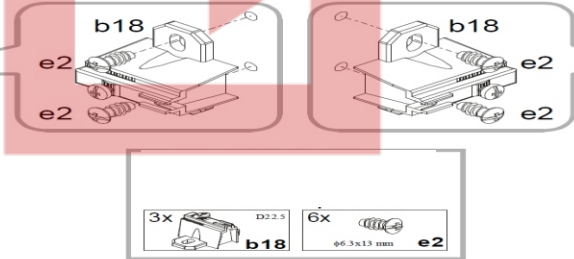
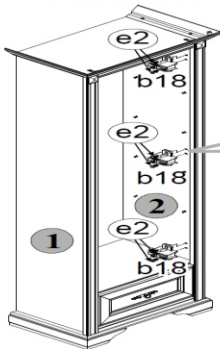
9 NREG 1d



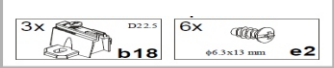
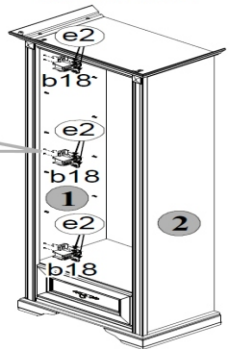
10 NREG 1d



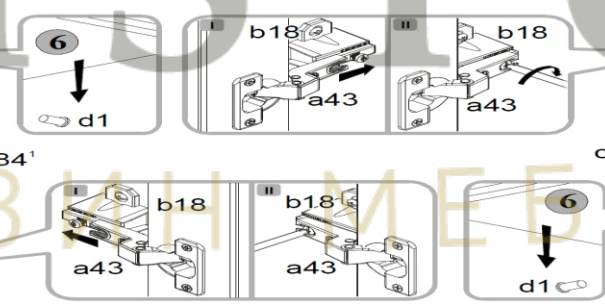
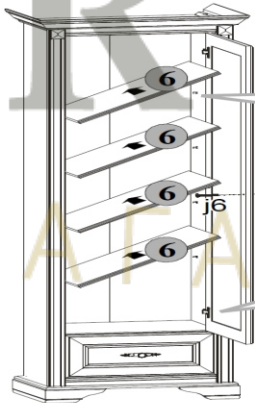
11 NREG 1d P



NREG 1d L



12 NREG 1d P



NREG 1d L

