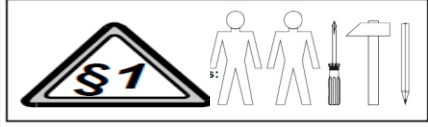
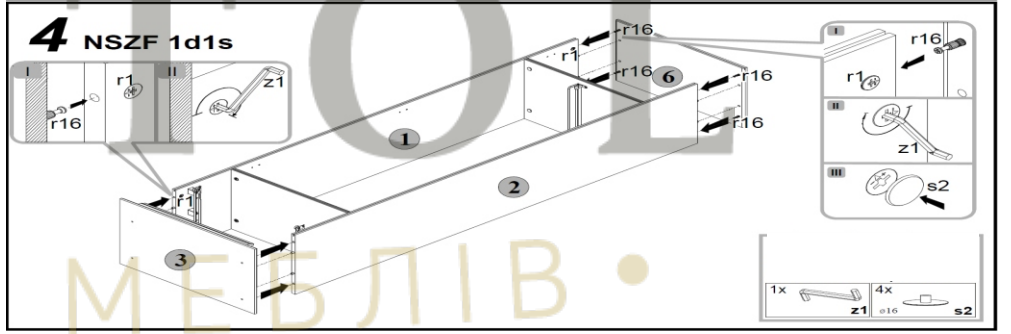
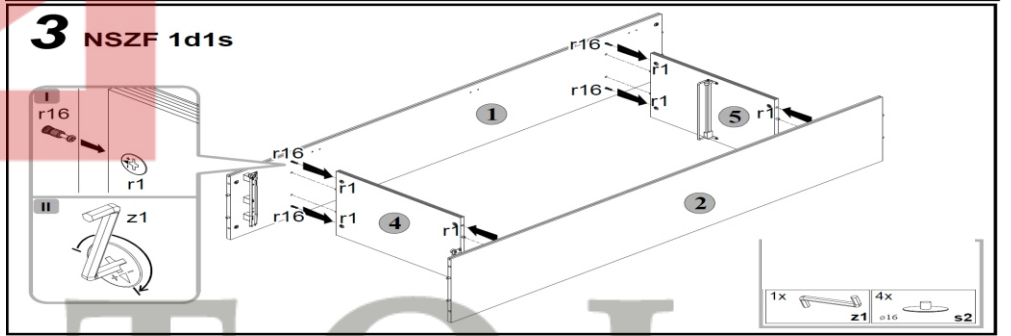
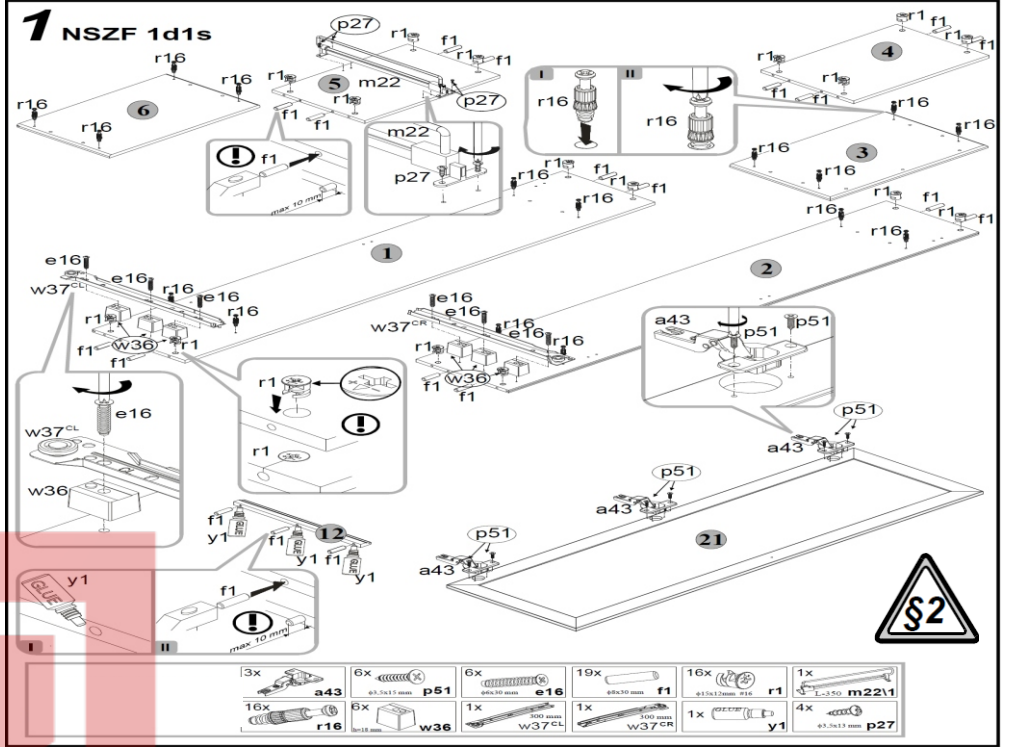
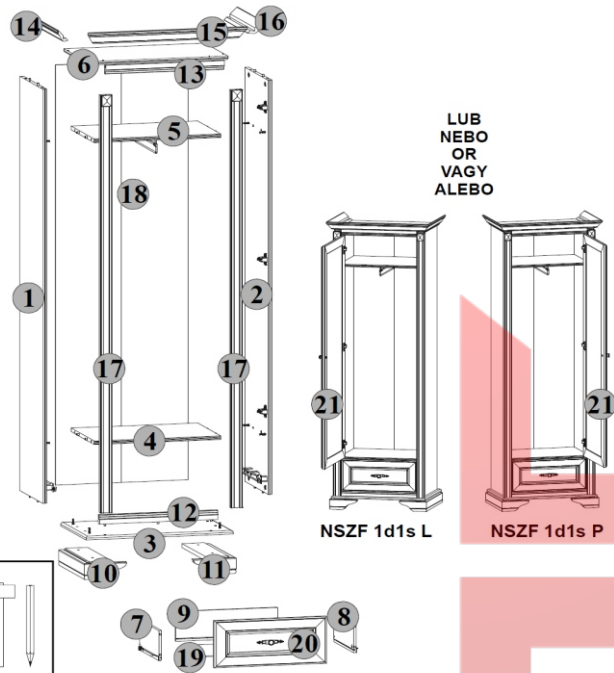


STYLIOUS NSZF 1d1s

A	B	C	D
1	1857x365	S21-110	1/6
2	1857x365	S21-111	1/6
3	623x398	S21-216	2/6
4	534x365	S21-310	1/6
5	534x365	S21-311/A	1/6
6	598x365	S21-217	2/6
7	320x140	S21-504	1/6
8	320x140	S21-505	1/6
9	449x140	S21-509	1/6
10	180x402	S21-2581	4/6
11	180x402	S21-2582	4/6
12	500x40	S21-579	3/6
13	500x40	S21-578	3/6
14	424x79	S21-1578	3/6
15	673x79	S21-1574	3/6
16	424x79	S21-1579	3/6
17	1873x50	S21-573	3/6
18	1884x561	S21-908	1/6
19	460x318	S21-909	1/6
20	496x221	S21-011	6/6
21	1564x496	S21-017	5/6



- 3x a43
- 3x b18 D22.5
- 2x c84¹
- 2x c84²
- 6x e2 $\phi 6.3 \times 13$ mm
- 6x e16 $\phi 6 \times 30$ mm
- 4x e19 $\phi 5 \times 9$ mm
- 4x e22 $\phi 7 \times 28$ mm
- 19x f1 $\phi 8 \times 30$ mm
- 14x f11 46x18x4 mm
- 4x f25 $\phi 6.5 \times 40$ mm
- 1x j6 M4x30 mm
- 1x j29 M4x14 mm
- 55x l1
- 2x l21 42x50x7 mm
- 1x m22v1 L=350
- 2x n40 36x26x161 - 125
- 2x n54 30x12x13.5/1.5 mm
- 4x p20 $\phi 3.5 \times 20$ mm
- 4x p27 $\phi 3.5 \times 13$ mm
- 2x p35 $\phi 3.5 \times 10$ mm
- 2x p38 $\phi 3.5 \times 16$ mm
- 4x p46 $\phi 3 \times 7$ mm
- 6x p51 $\phi 3.5 \times 15$ mm
- 16x r1 $\phi 15 \times 12$ mm #16
- 4x r15 $\phi 12 \times 10.5$ mm #12
- 20x r16
- 8x s2 $\phi 16$
- 6x w36 h=18 mm
- 1x w37 DR 300 mm
- 1x w37 DL 300 mm
- 1x w37 CR 300 mm
- 1x w37 CL 300 mm
- 1x y1 GLUE
- 1x z1

