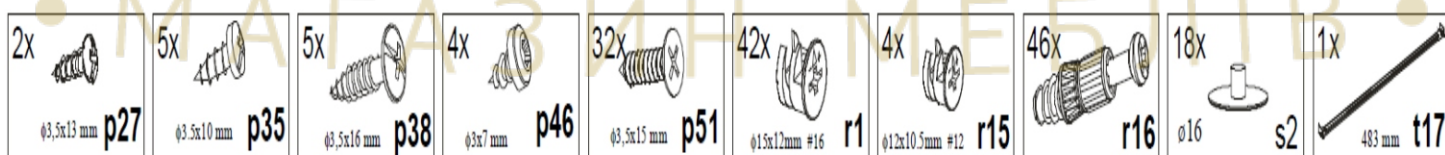
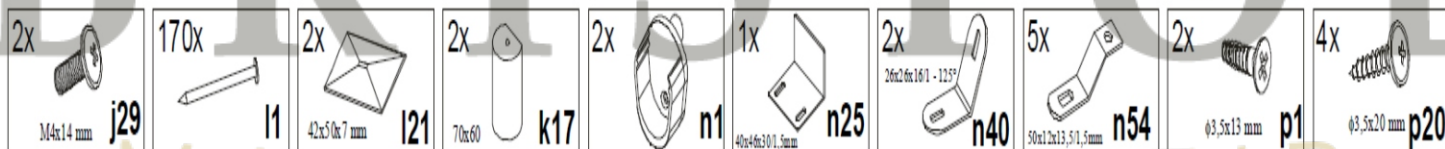
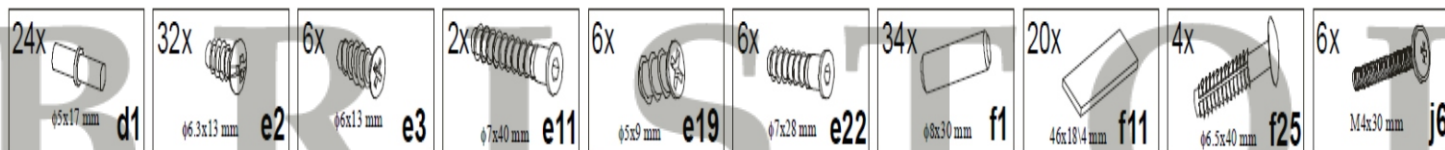
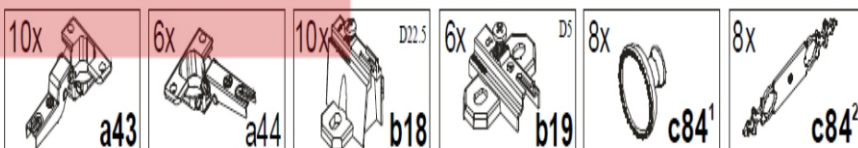
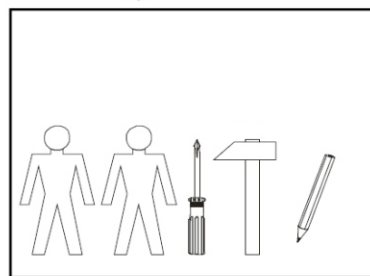
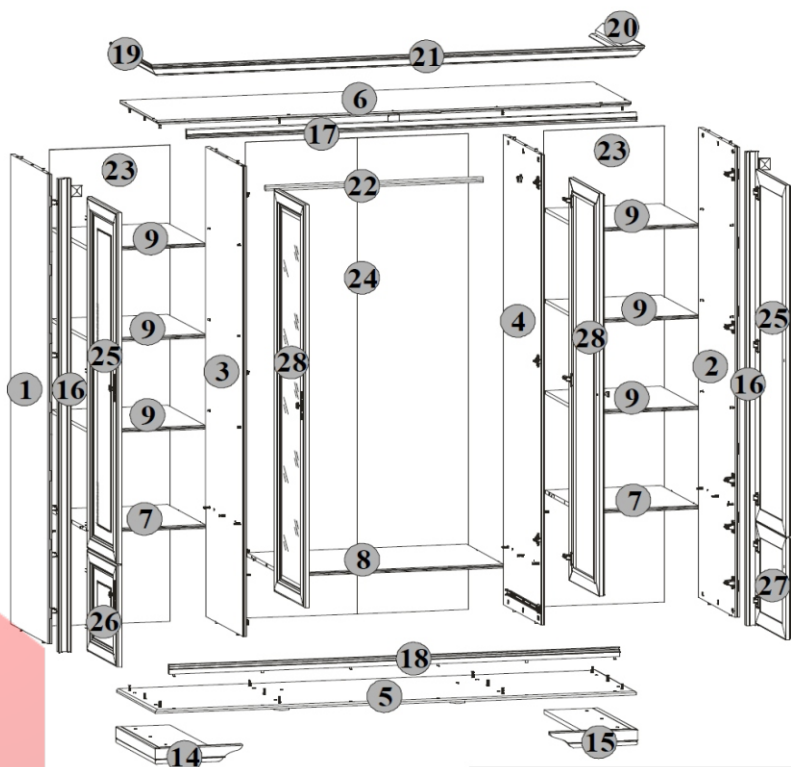


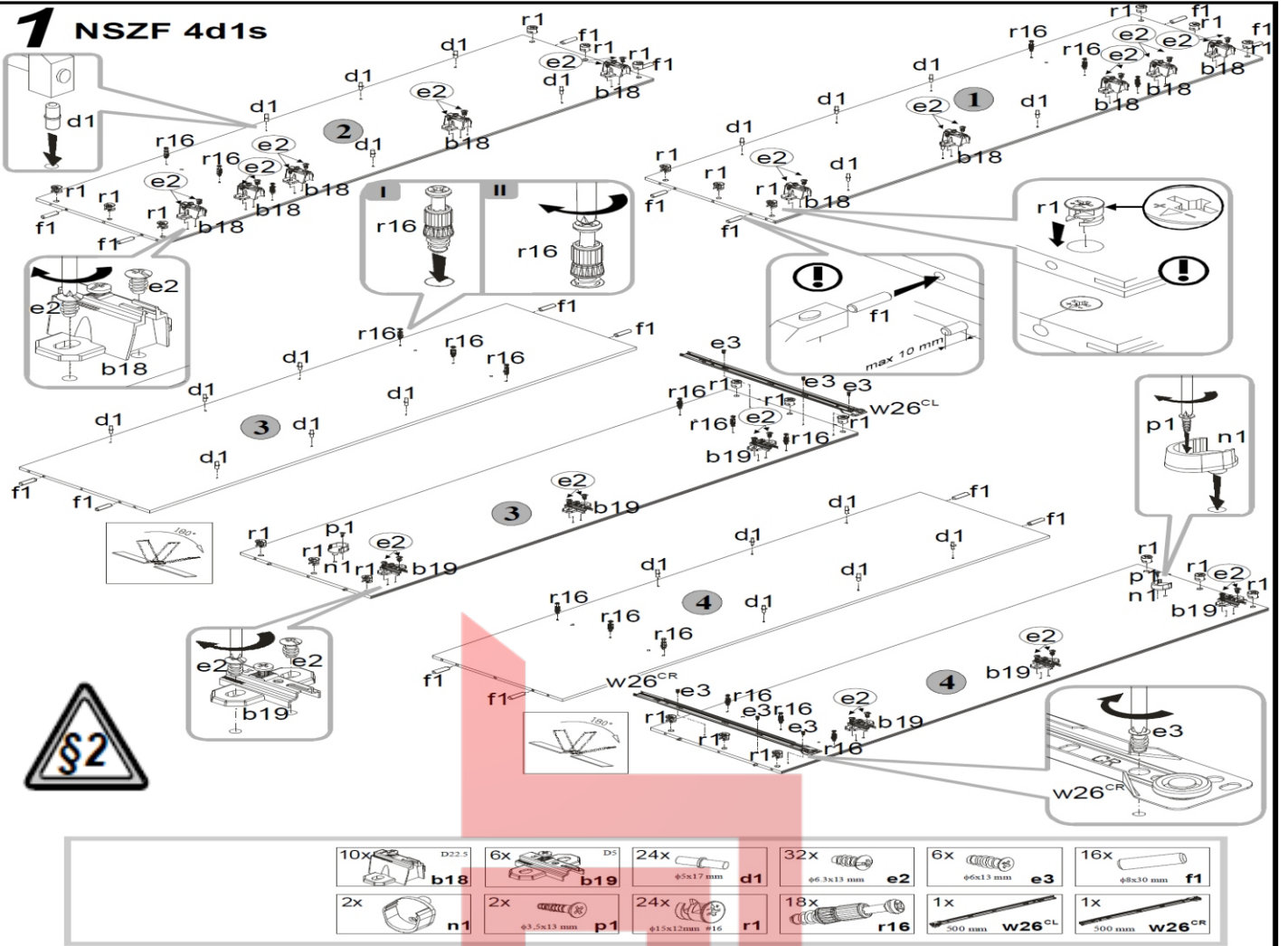
STYLIUS

NSZF 4d1s

A	B	C	D
1	2053x550	S21-127	1/9
2	2053x550	S21-128	1/9
3	2053x550	S21-129	1/9
4	2053x550	S21-130	1/9
5	1920x583	S21-225	3/9
6	1892x550	S21-226	3/9
7	461x550	S21-321	2/9
8	874x550	S21-323	2/9
9	461x549	S21-322	2/9
10	500x140	S21-511	2/9
11	500x140	S21-512	2/9
12	825x140	S21-515	2/9
13	836x498	S21-924	2/9
14	350x587	S21-2587	5/9
15	350x587	S21-2588	5/9
16	2069x50	S21-588	4/9
17	1794x40	S21-587	4/9
18	1794x40	S21-586	4/9
19	609x79	S21-1576	4/9
20	609x79	S21-1577	4/9
21	1967x79	S21-1584	4/9
22	869x30	dr-869	2/9
23	2080x482	S21-925	1/9
24	2080x889	S21-926	1/9
25	1536x446	S21-030	9/9
26	445x446	S21-028	8/9
27	445x446	S21-029	8/9
28	1760x446	S21-027	7/9
29	894x221	S21-026	6/9

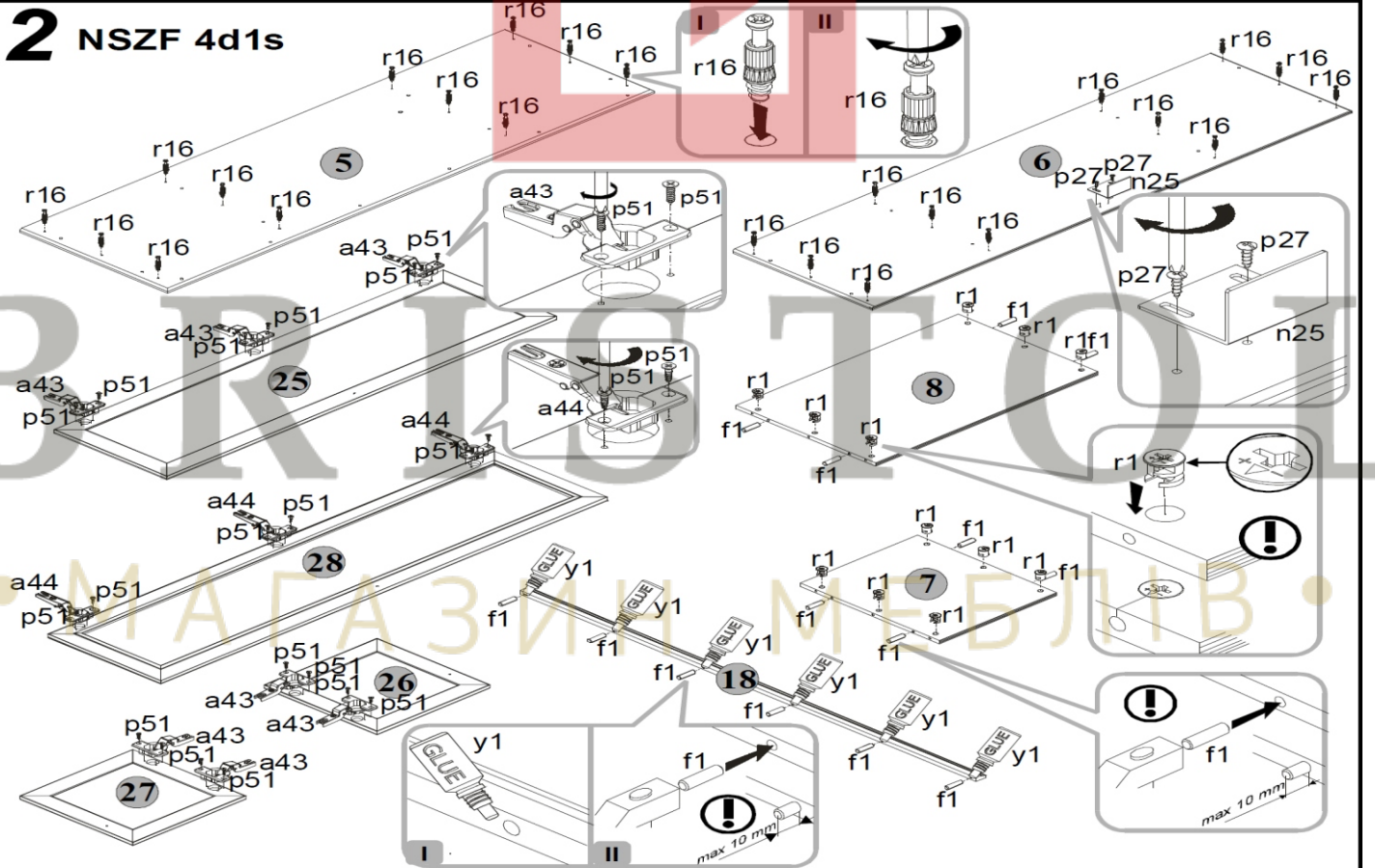


1 NSZF 4d1s

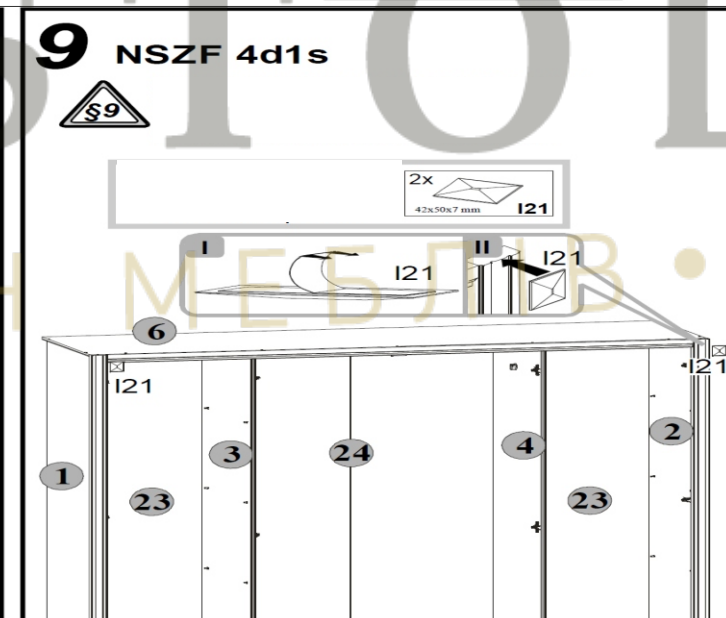
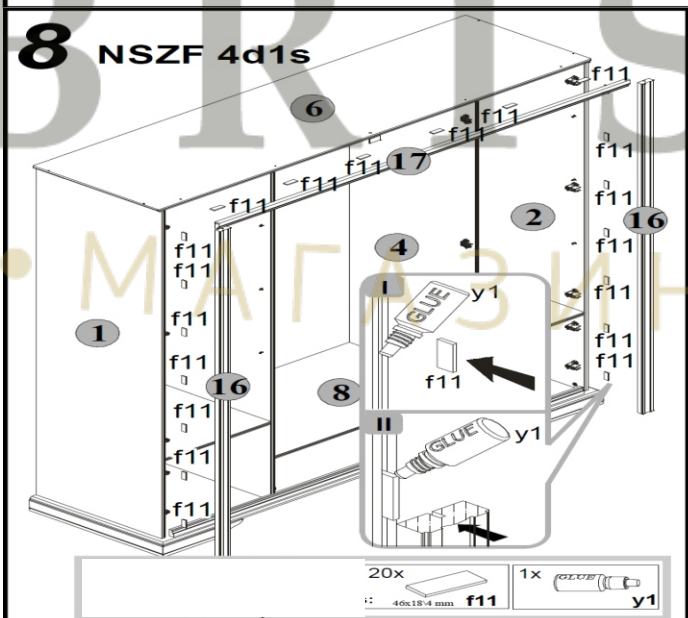
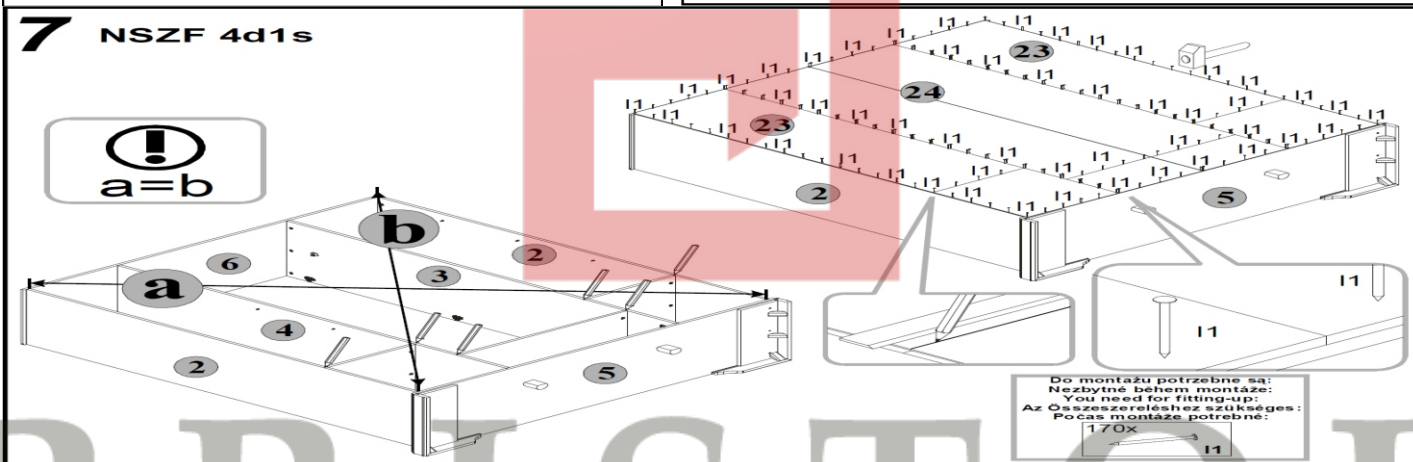
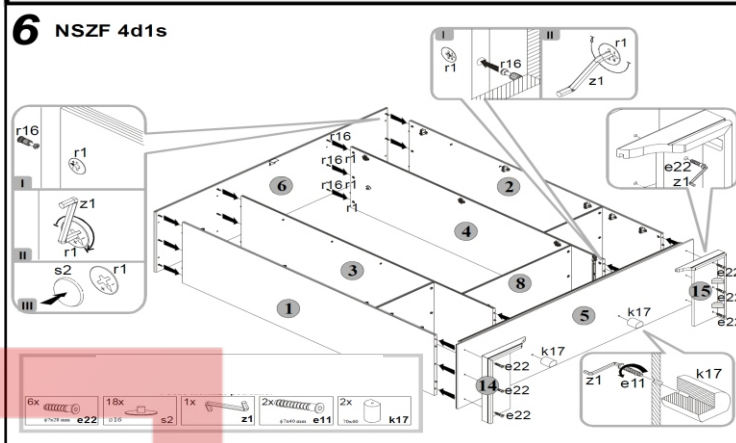
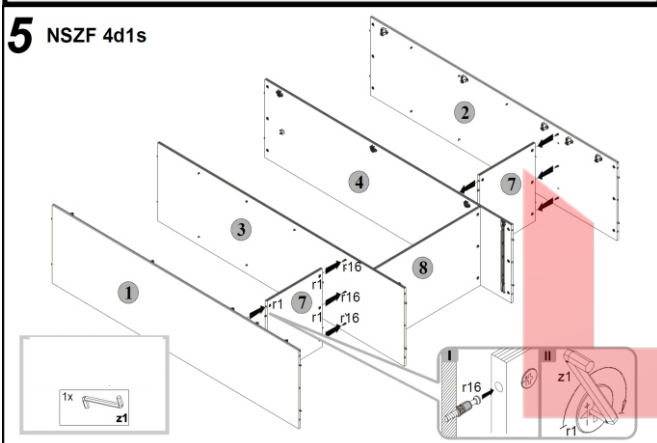
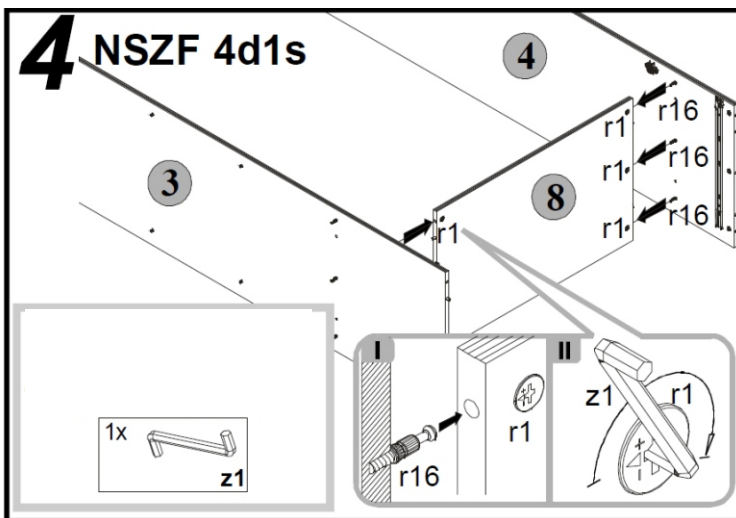
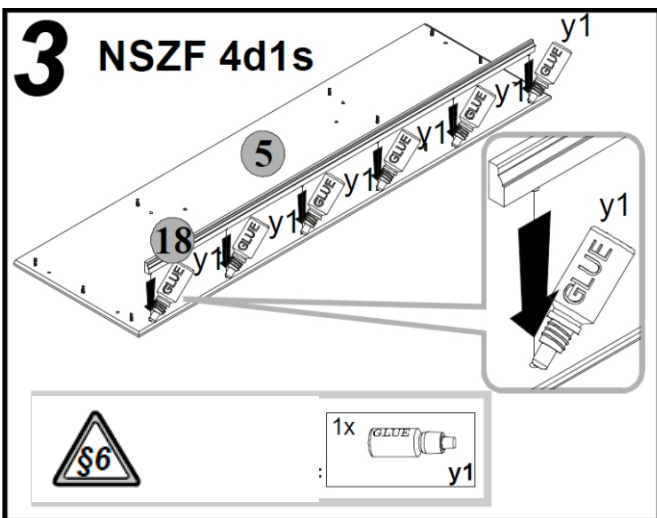


10x D22.5	6x D5	24x φ5x17 mm	32x φ6.3x13 mm	6x φ6x13 mm	16x φ8x30 mm
2x	2x φ3.5x13 mm	24x φ15x12mm #16	18x	1x 500 mm w26 ^{CL}	1x 500 mm w26 ^{CR}

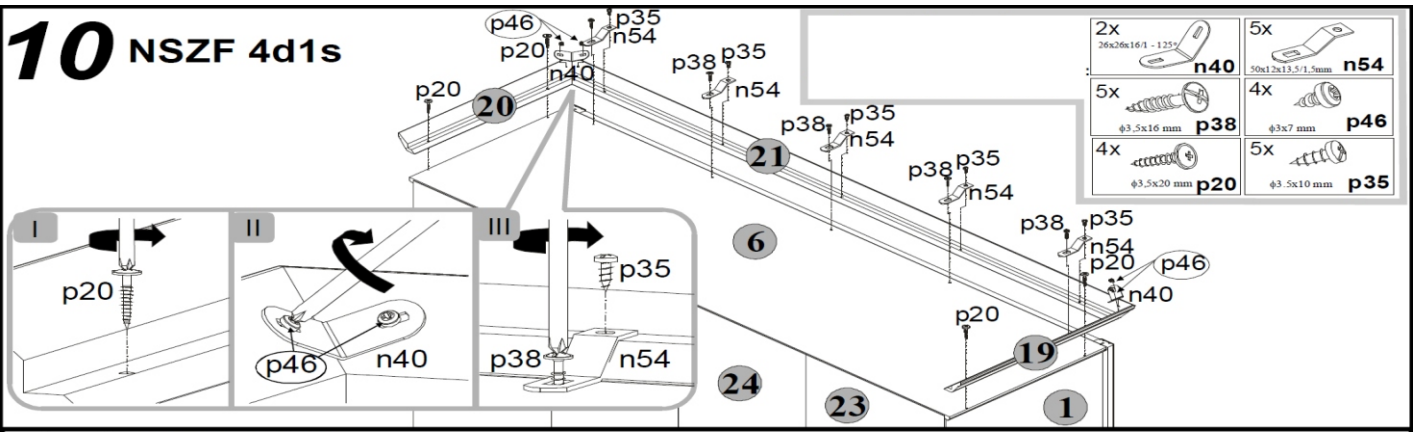
2 NSZF 4d1s



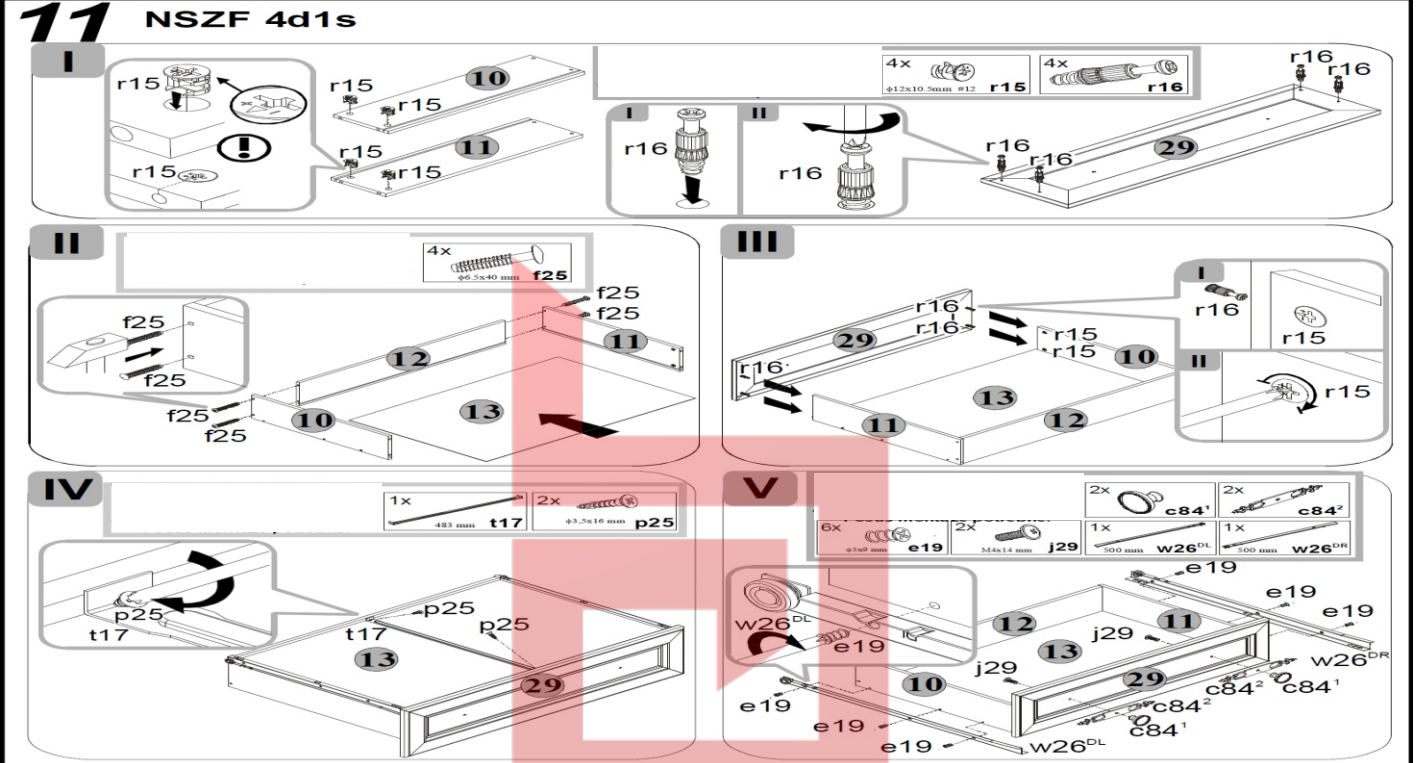
10x	6x	18x φ8x30 mm	1x	2x φ3.5x13 mm	32x φ3.5x15 mm	18x φ15x12mm #16	24x	1x
-----	----	---------------	----	----------------	-----------------	-------------------	-----	----



10 NSZF 4d1s



11 NSZF 4d1s



12 NSZF 4d1s

