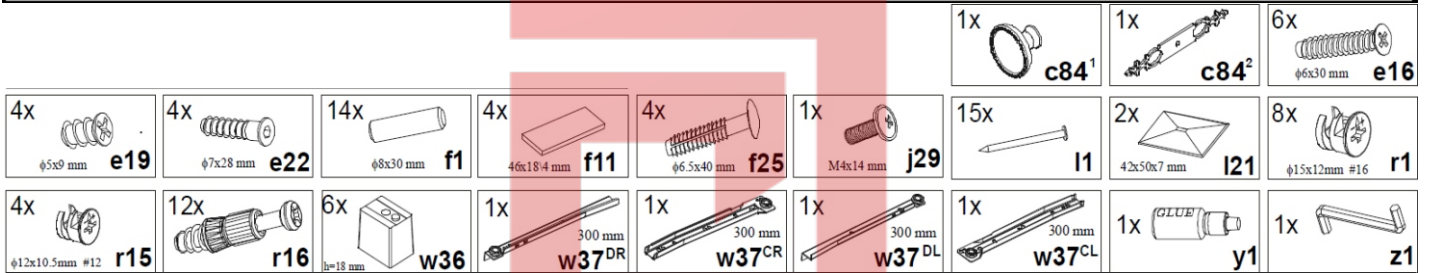
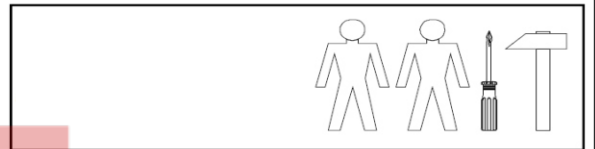
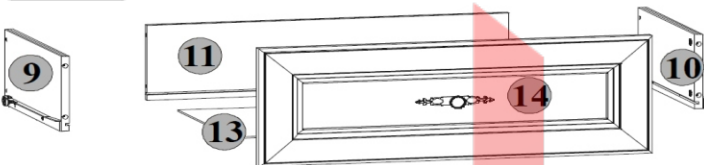
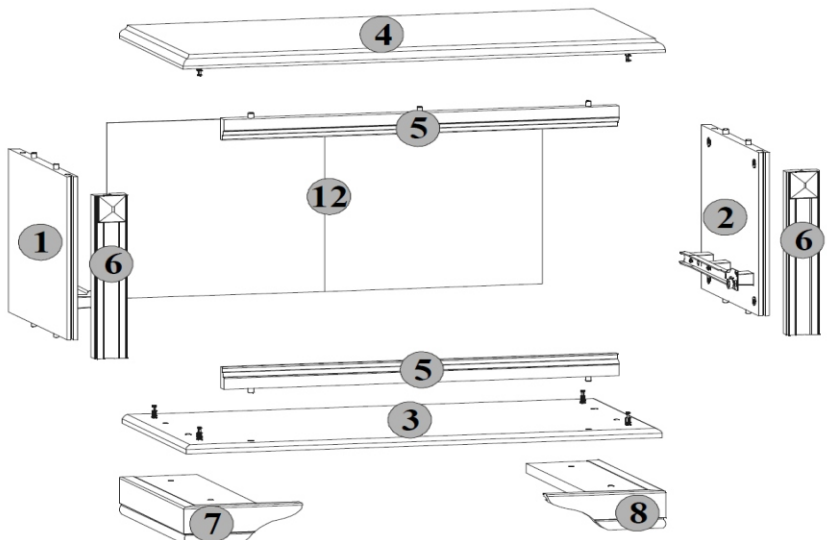


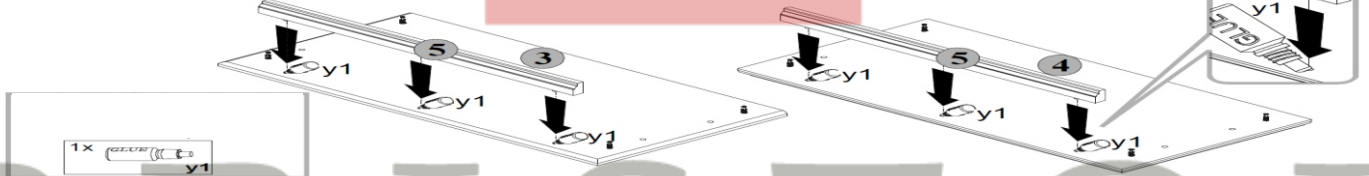
STYLIUS

NKOM 1s

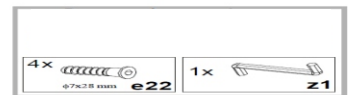
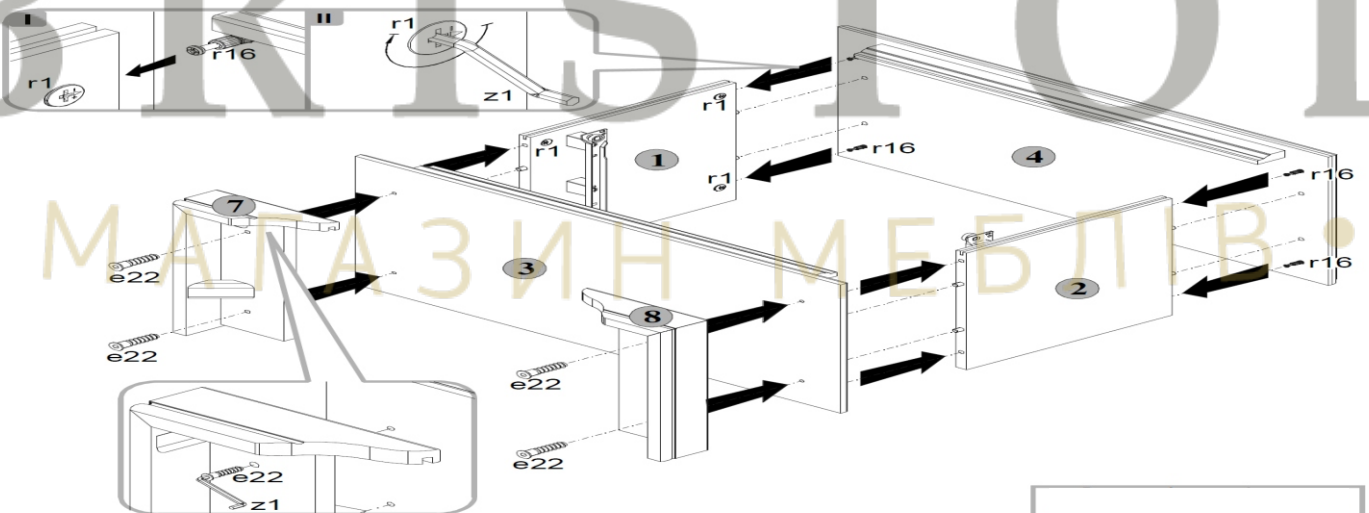
A	B	C	D
1	306x328	S21-142	1/5
2	306x328	S21-143	1/5
3	723x361	S21-236	2/5
4	731x361	S21-237	2/5
5	600x40	S21-593	3/5
6	306x50	S21-592	3/5
7	180x365	S21-2575	4/5
8	180x365	S21-2576	4/5
9	320x140	S21-504	1/5
10	320x140	S21-505	1/5
11	549x140	S21-517	1/5
12	330x661	S21-932	1/5
13	560x318	S21-933	1/5
14	596x221	S21-037	5/5



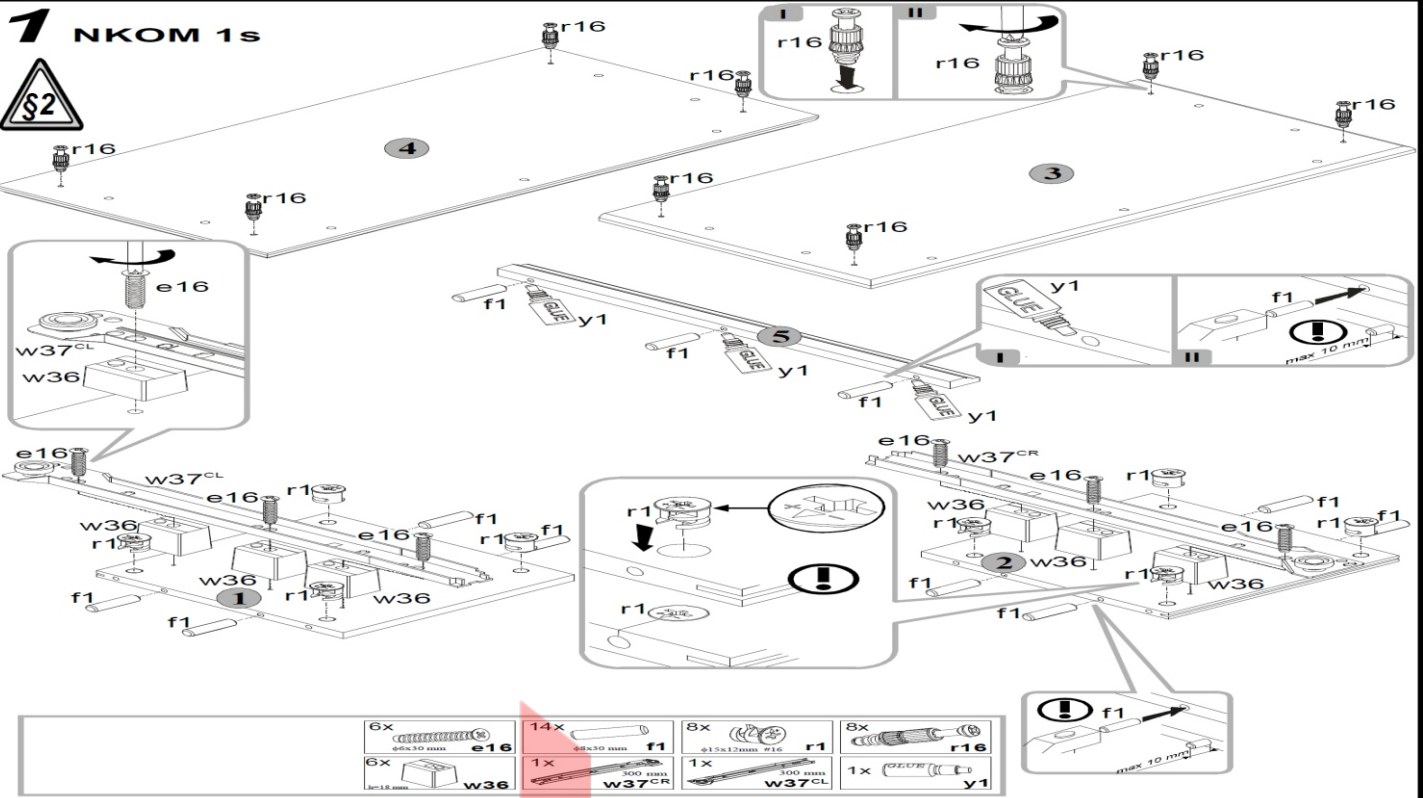
2 NKOM 1s



3 NKOM 1s



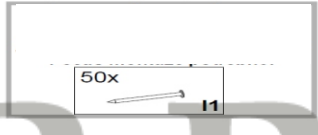
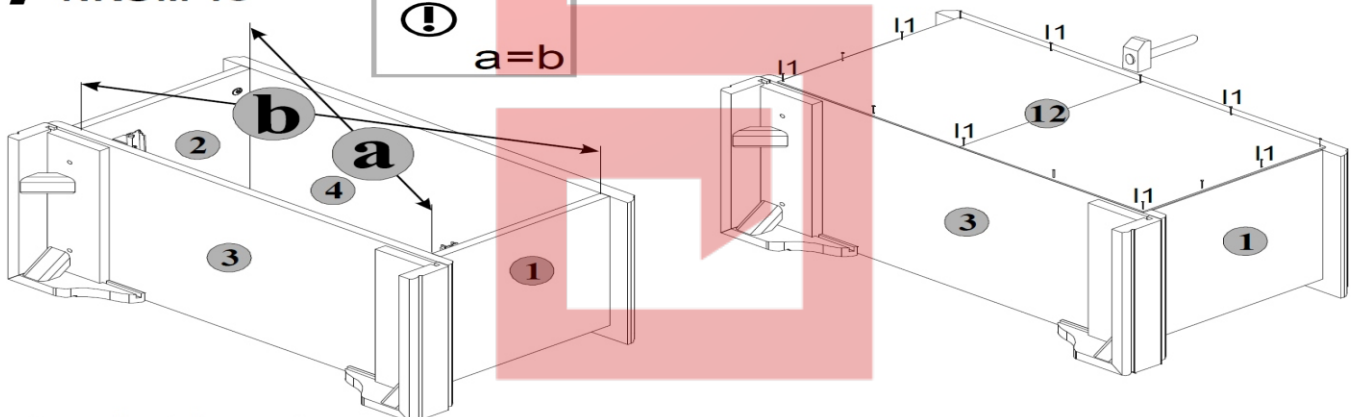
1 NKOM 1s



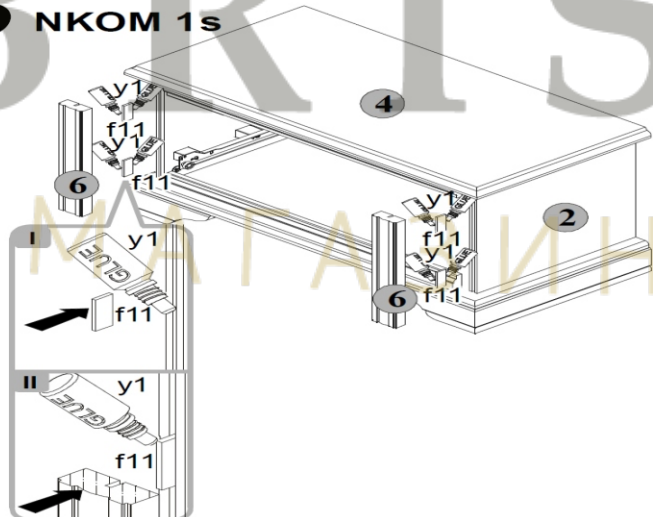
6x e16	14x f1	8x r1	8x r16
6x w36	1x w37CR	1x w37CL	1x y1

4 NKOM 1s

⚠ a=b

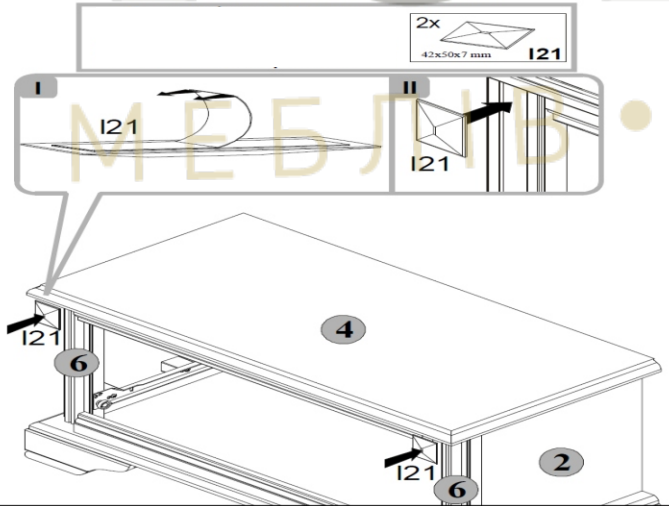


5 NKOM 1s



4x f11	1x y1
---------	--------

6 NKOM 1s



2x l21
