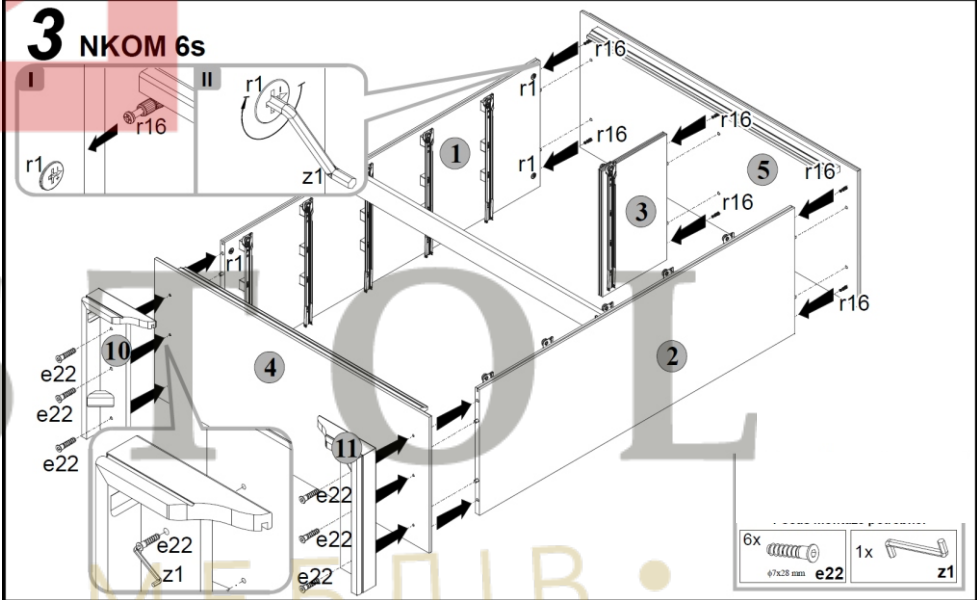
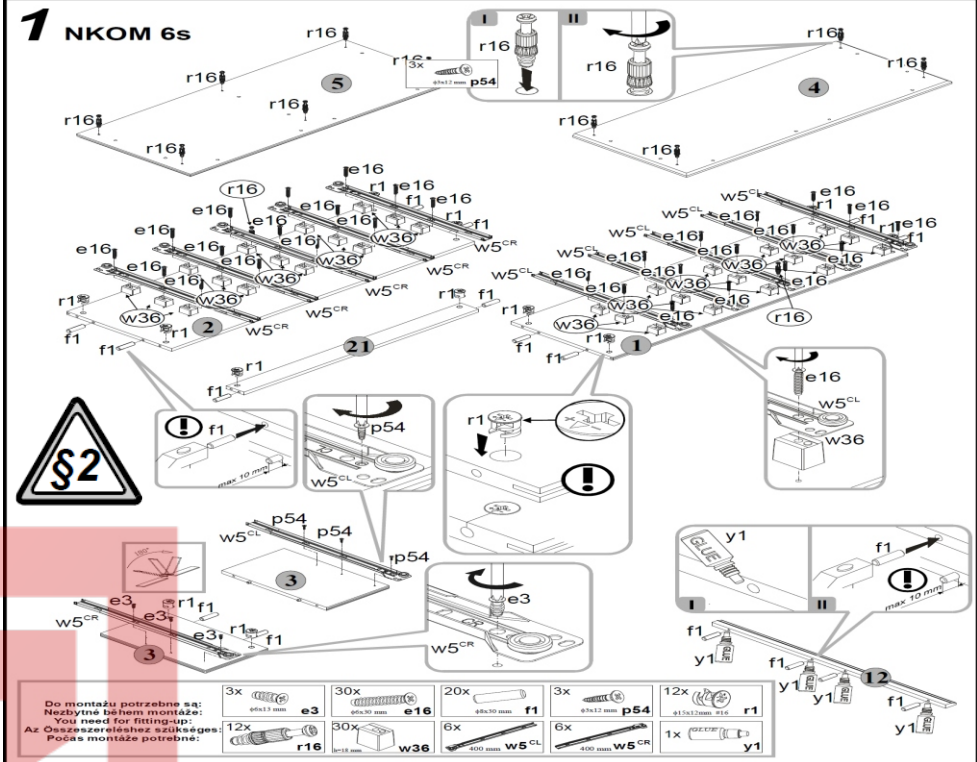
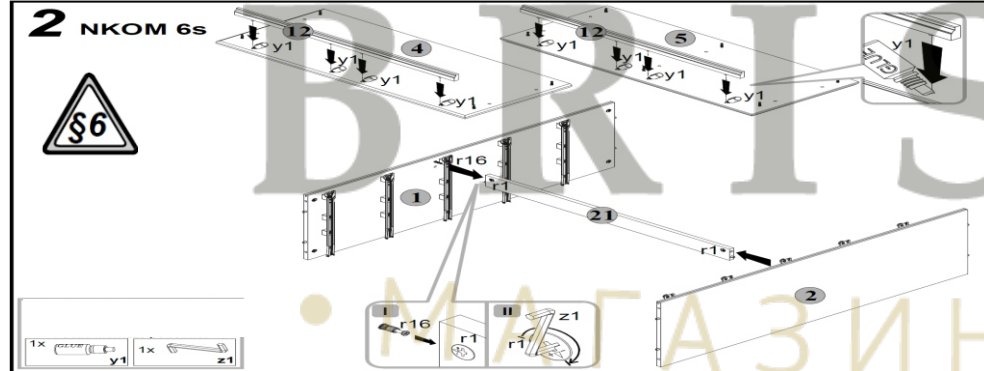
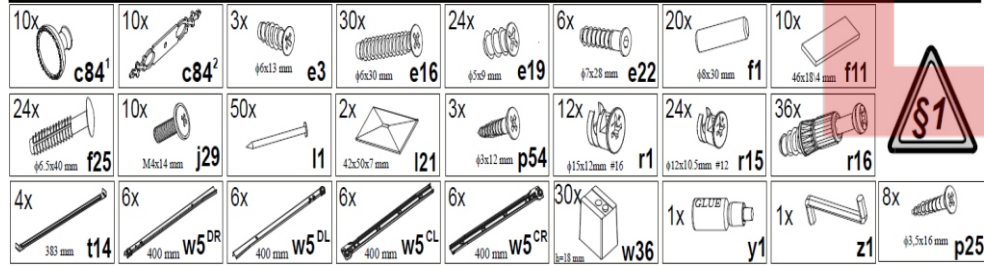
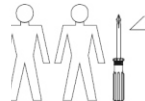
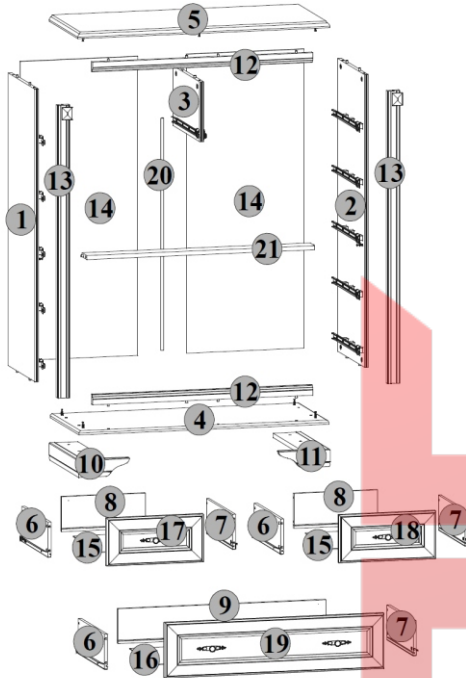
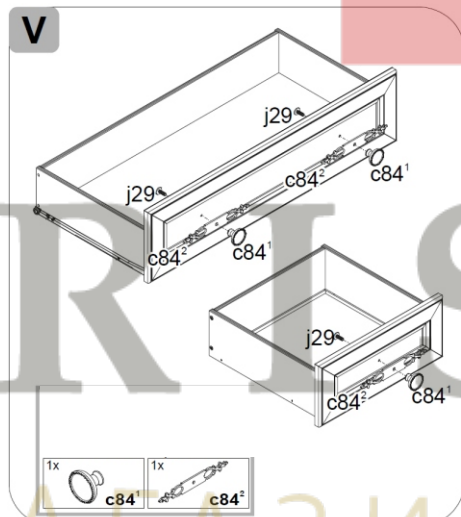
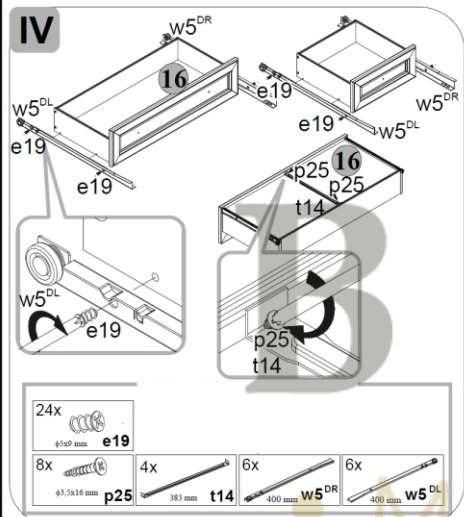
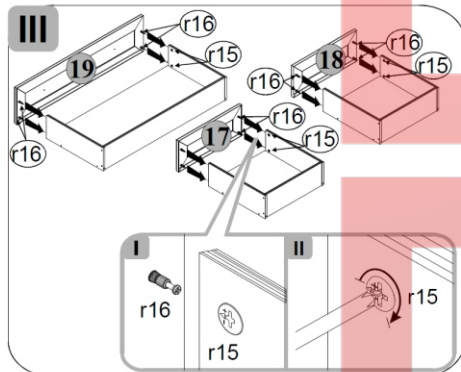
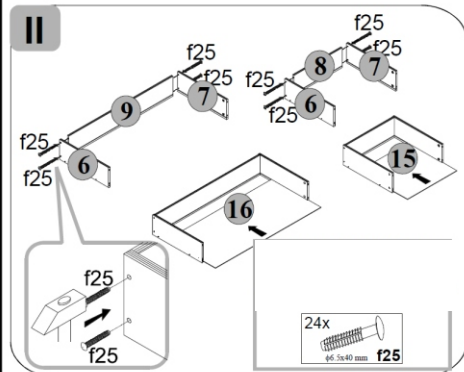
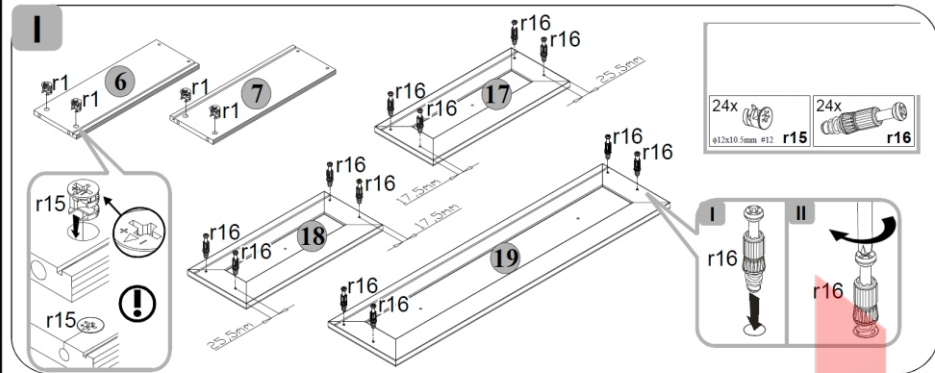


STYLIUS NKOM 6s

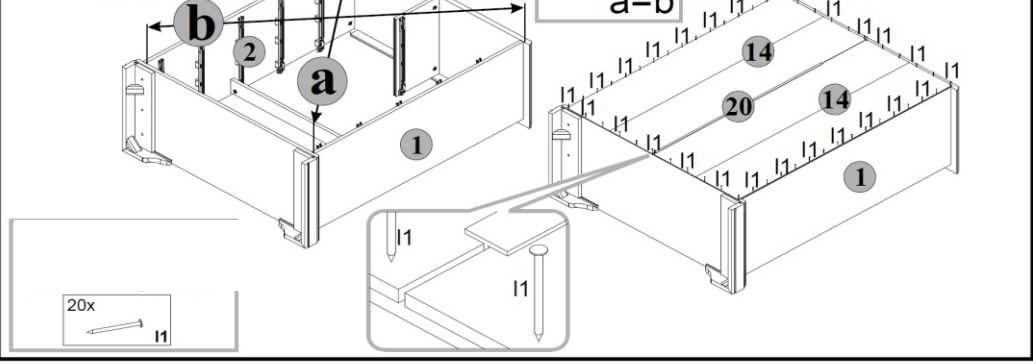
A	B	C	D
1	1172x405	S21-106 A	1/5
2	1172x405	S21-107 A	1/5
3	240x403	S21-158	1/5
4	1022x438	S21-205	2/5
5	1030x438	S21-206	2/5
6	400x140	S21-501	1/5
7	400x140	S21-502	1/5
8	391x140	S21-507	1/5
9	847x140	S21-508	1/5
10	210x442	S21-2573	4/5
11	210x442	S21-2574	4/5
12	898x40	S21-576	3/5
13	1172x50	S21-577	3/5
14	1198x479	S21-903	1/5
15	402x398	S21-906	1/5
16	858x398	S21-907	1/5
17	446x191	S21-007	5/5
18	446x191	S21-008	5/5
19	894x221	S21-009	5/5
20	930x14	LH-930	1/5
21	932x70	S21-417	1/5



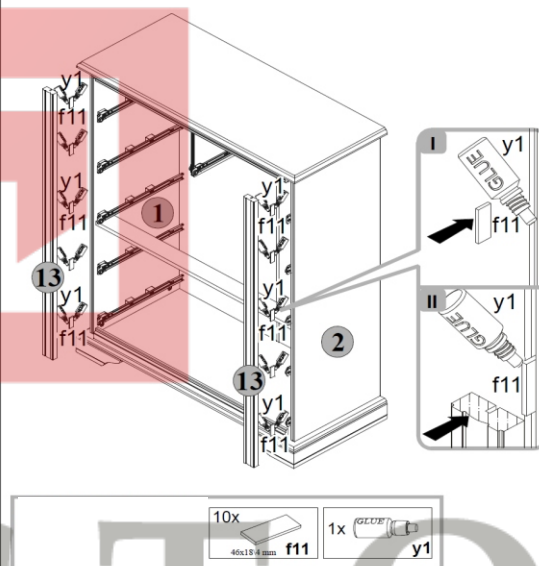
4 NKOM 6s



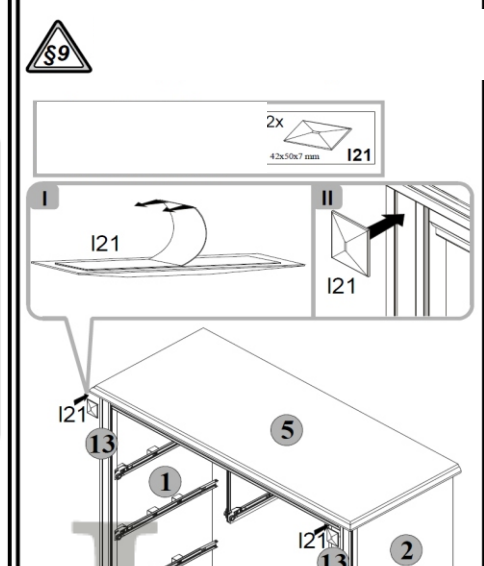
5 NKOM 6s



6 NKOM 6s



7 NKOM 6s



8 NKOM 6s

