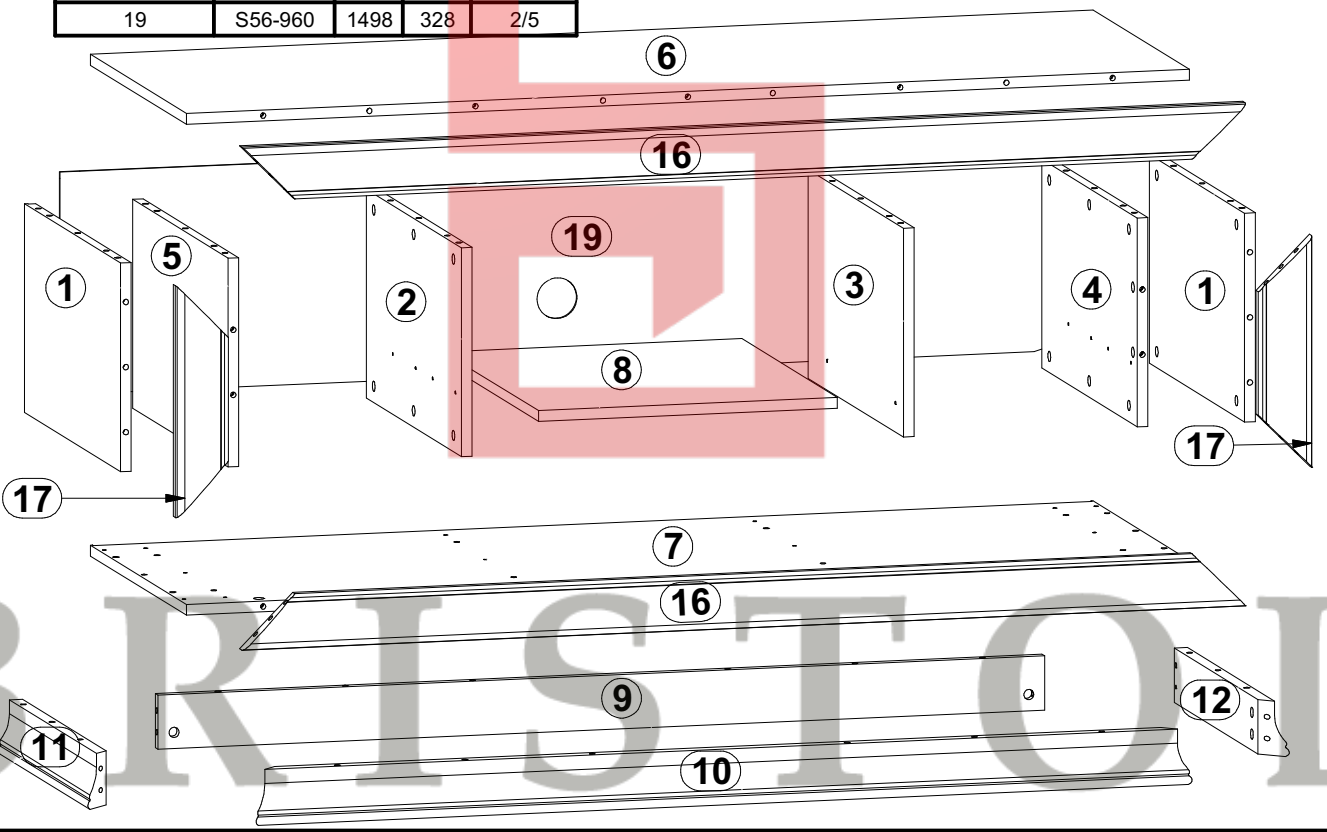
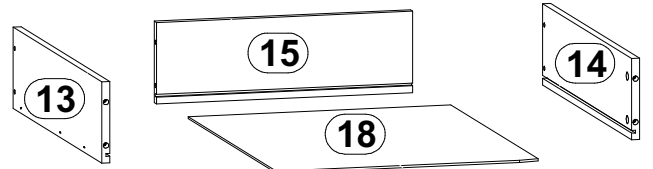
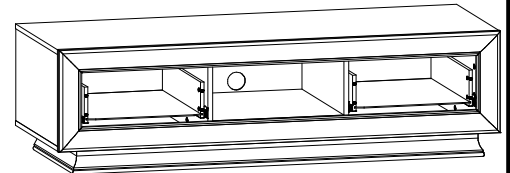


LARGO Classic

RTV2S/4/15

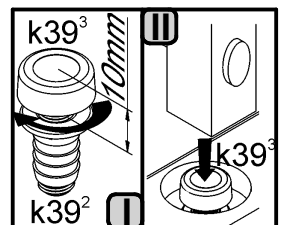
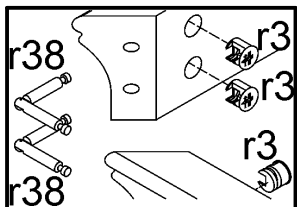
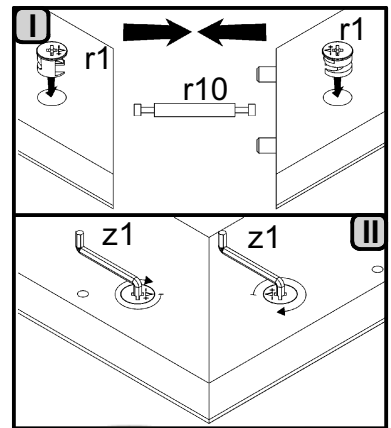
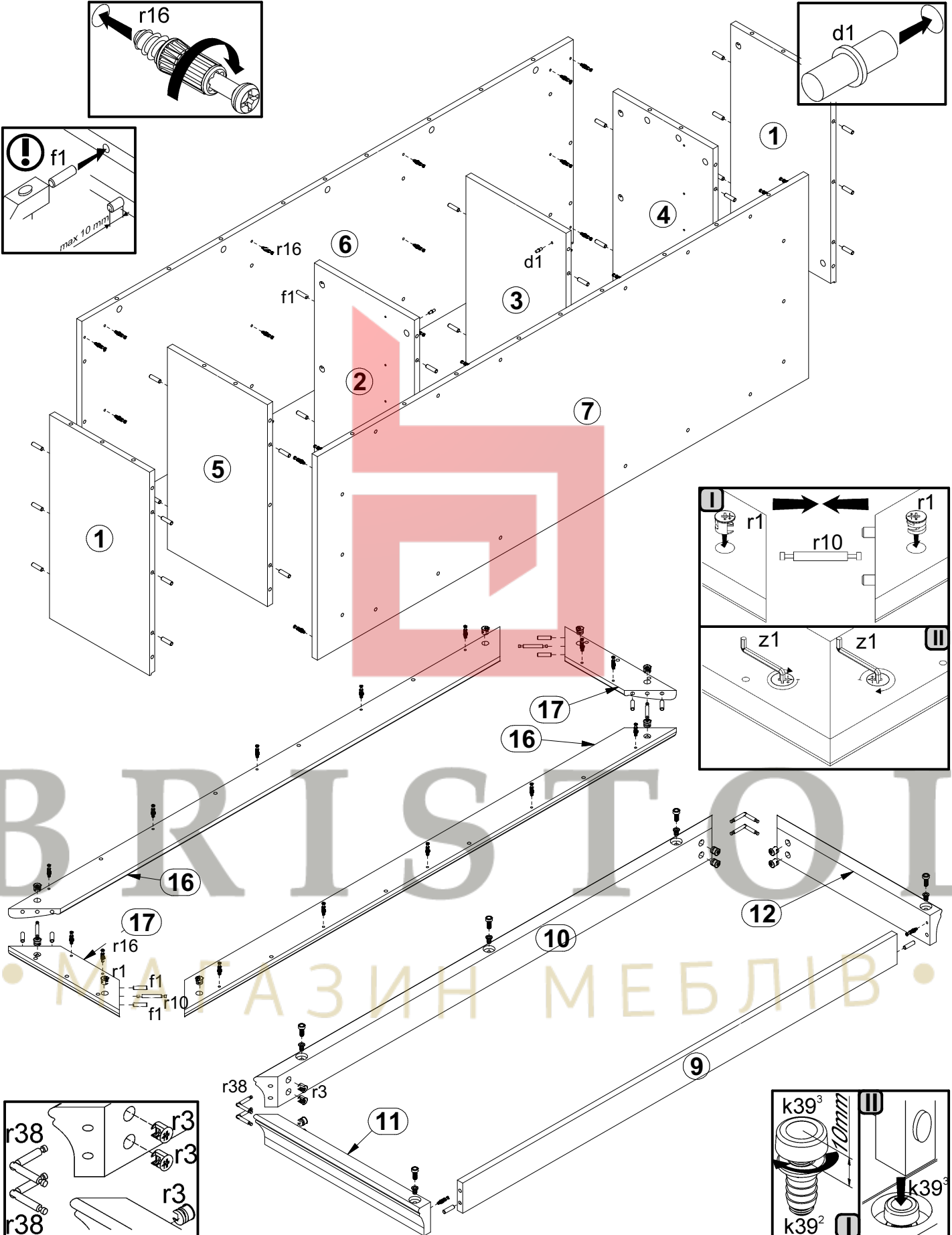
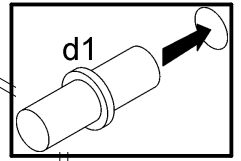
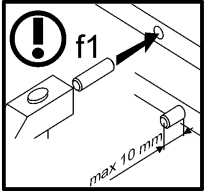
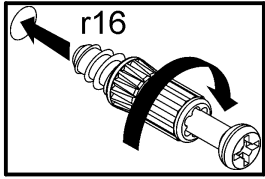


A	B	C	D	
1	S56-1121	308	536	1/5
2	S56-123	308	536	1/5
3	S56-124	308	536	1/5
4	S56-125	308	536	1/5
5	S56-126	308	536	2/5
6	S56-2217	1511	536	2/5
7	S56-2218	1511	536	2/5
8	S56-312	450	536	1/5
9	S56-403	1336	80	2/5
10	S56-455	1410	80	4/5
11	S56-459	507	80	4/5
12	S56-460	507	80	4/5
13	S56-506	500	120	2/5
14	S56-507	500	120	2/5
15	S56-508	386	120	2/5
16	S56-573	1512	80	3/5
17	S56-580	342	80	3/5
18	S56-918	498	396	2/5
19	S56-960	1498	328	2/5

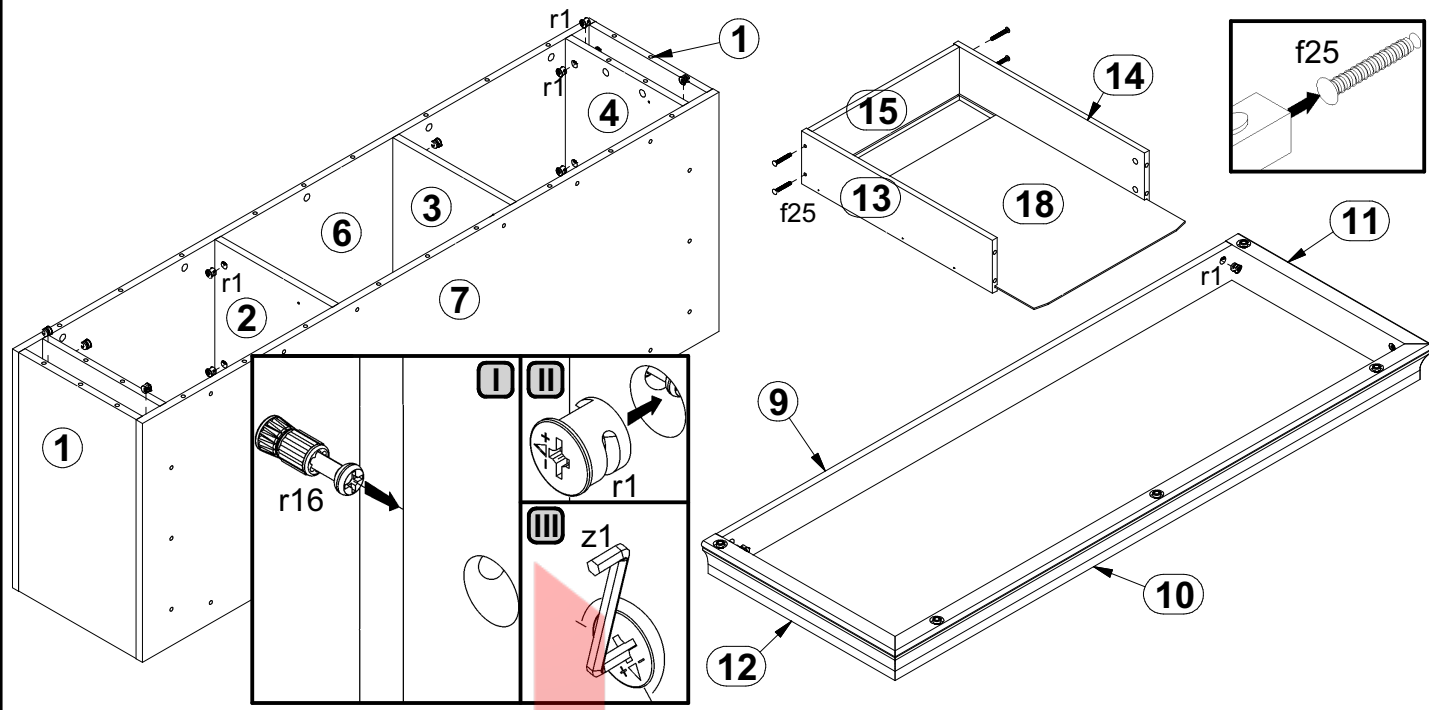


4x φ5x17 mm d1	16x φ6x13 mm e3	70x φ8x30 mm f1	8x φ6.5x40 mm f25	5x M6/φ9x14 mm k39 ²	5x M6/22mm k39 ³	44x l1	12x φ3x12 mm p54	56x φ1.5x12mm #16 r1
8x φ1.5x15mm #22 r3	4x r10	8x φ1.2x10.5mm #12 r15	56x r16	4x r38	2x 500 mm w26 ^{CL}	2x 500 mm w26 ^{CR}	2x 500 mm w26 ^{DL}	2x 500 mm w26 ^{DR}
1x GLUE y1	1x z1	1x n26 ¹	1x φ3.5x16 mm p38					

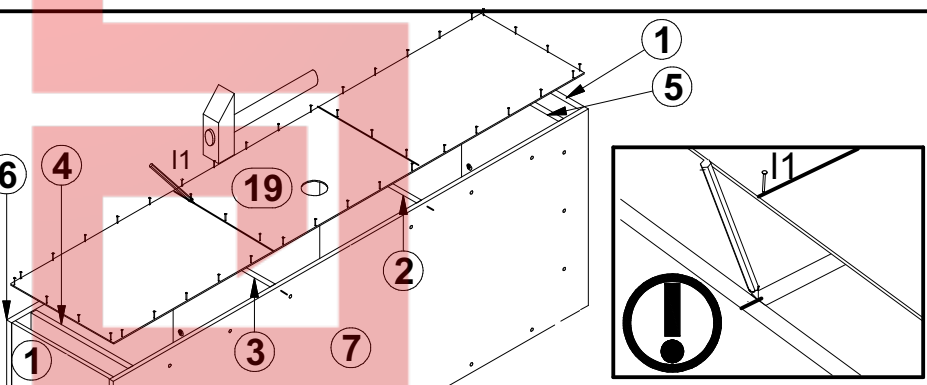
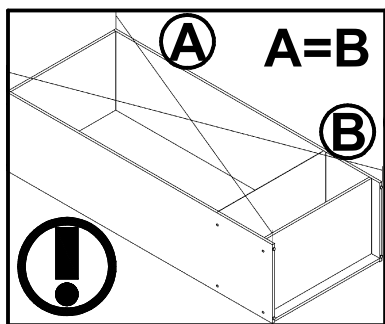
1



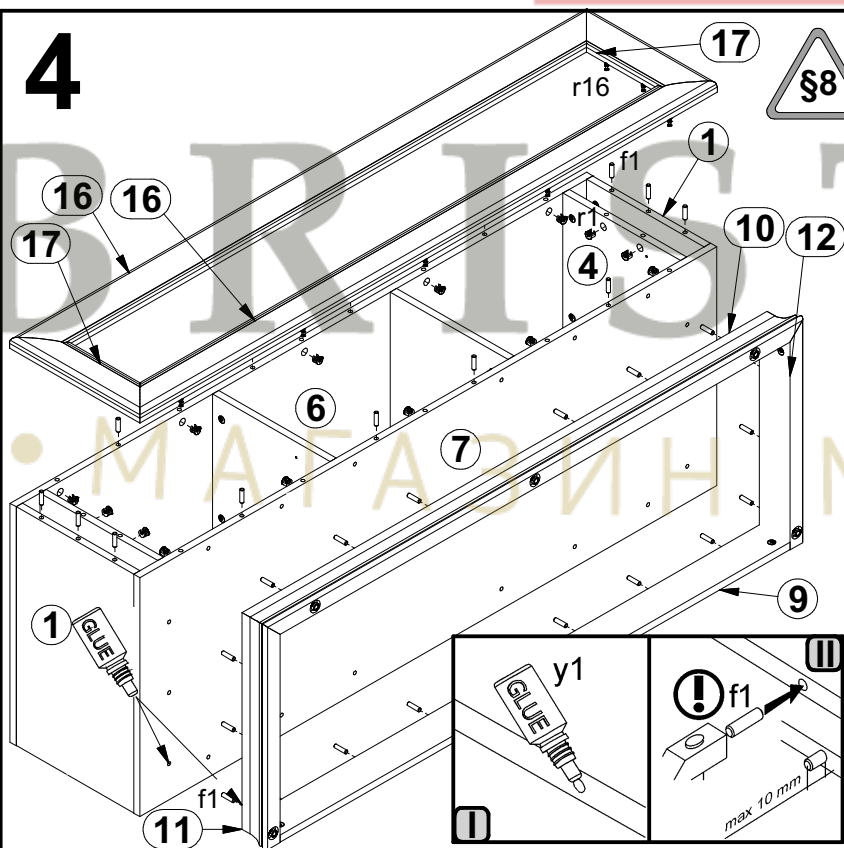
2



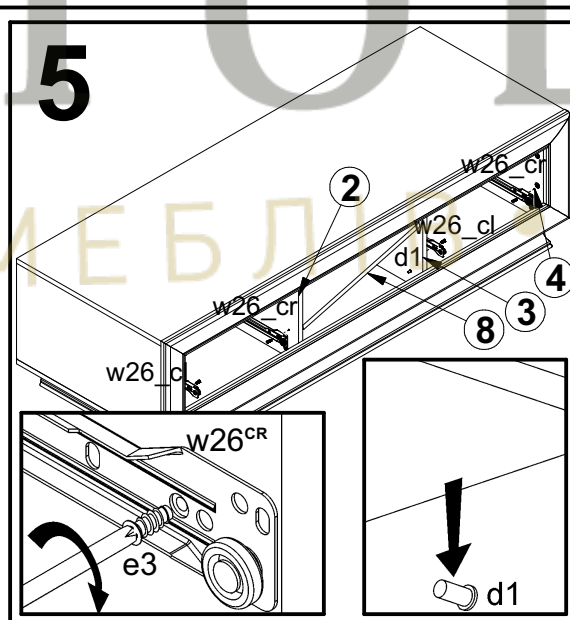
3



4

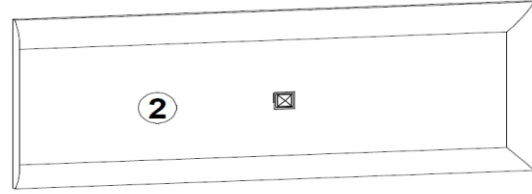
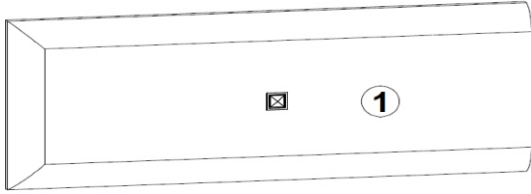
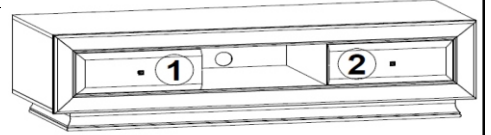
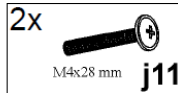
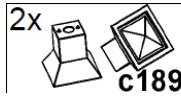


5

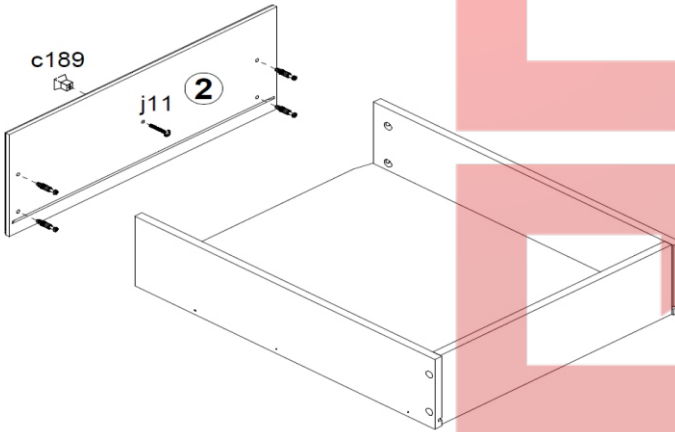
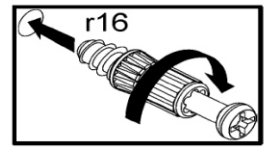
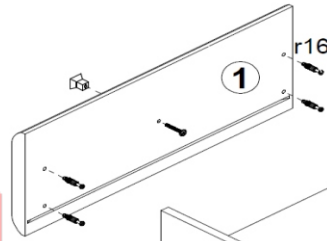
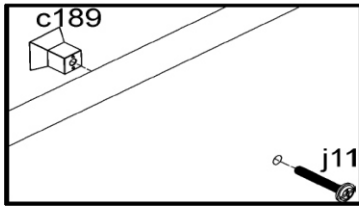


LARGO Classic RTV2S/4/15 - FRN1

A	B	C	D	
1	S56-008	446	176	5/5
2	S56-009	446	176	5/5



1



2

