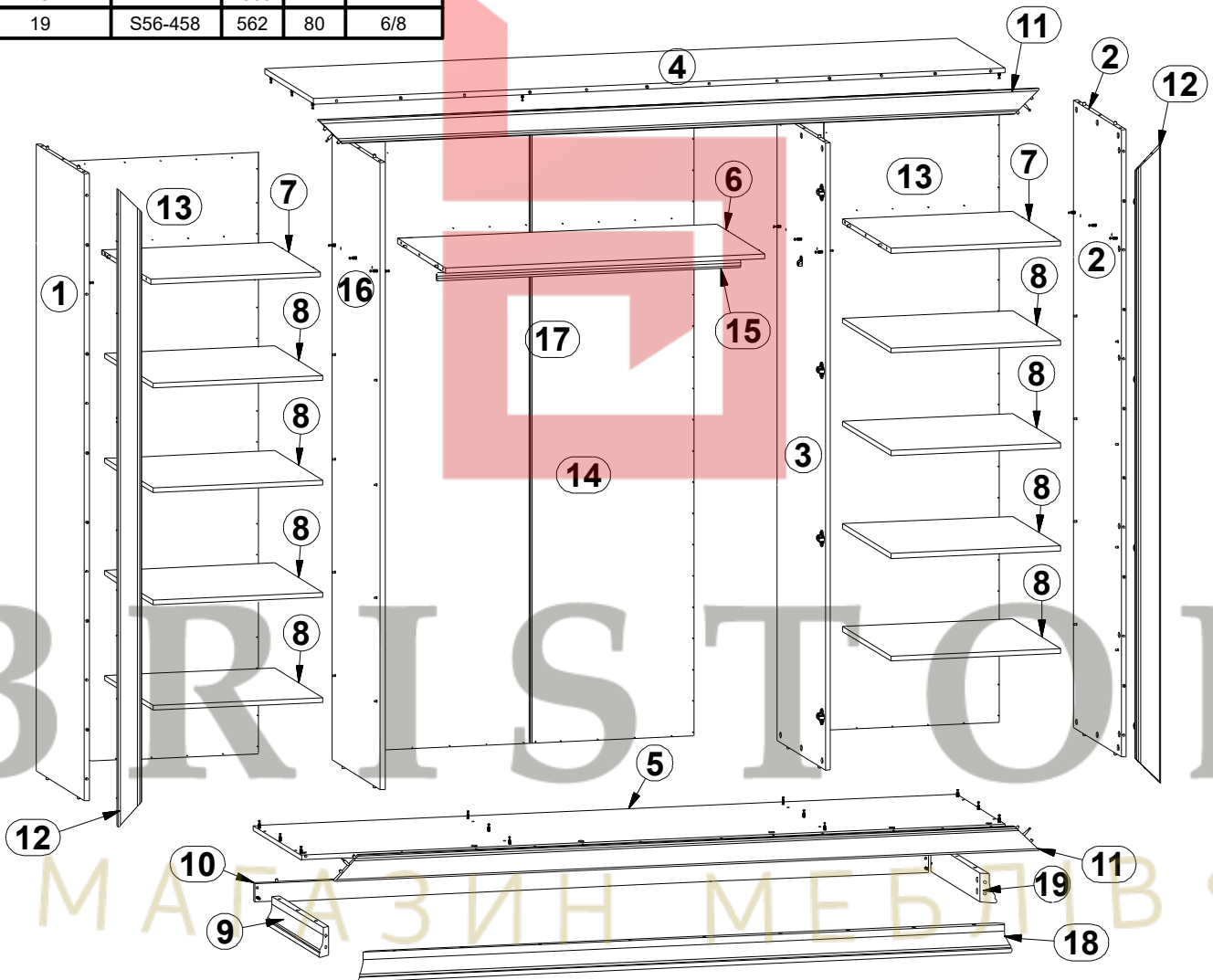
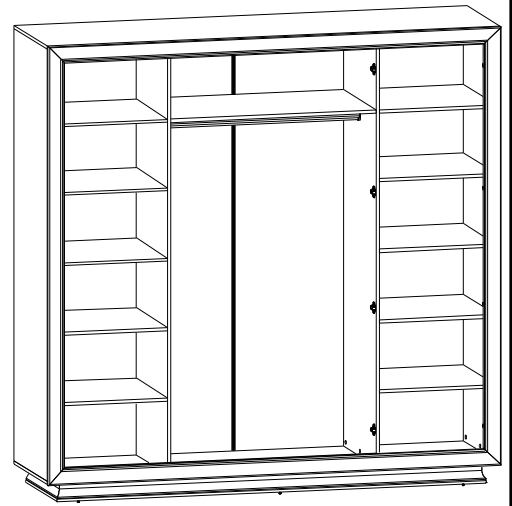


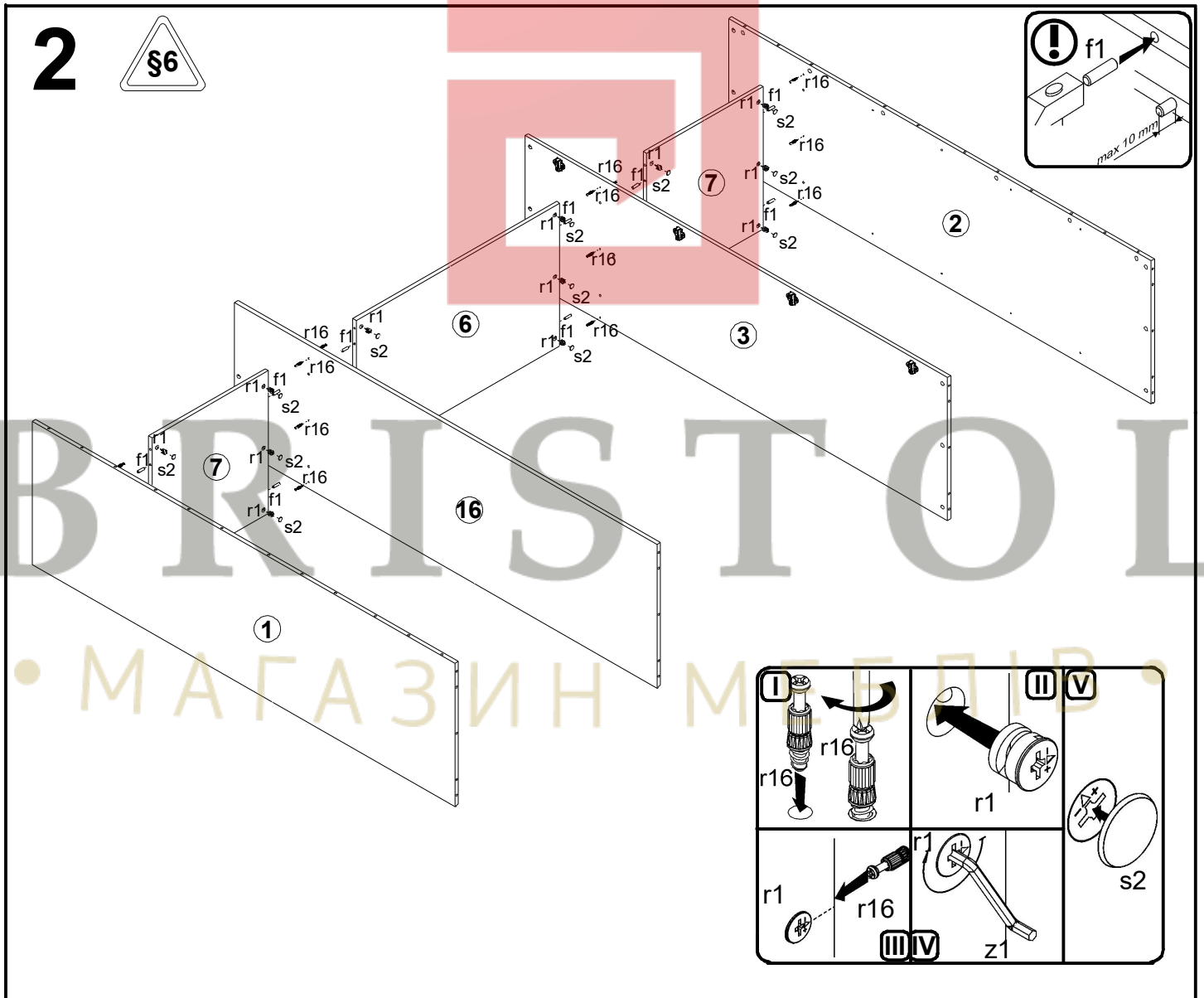
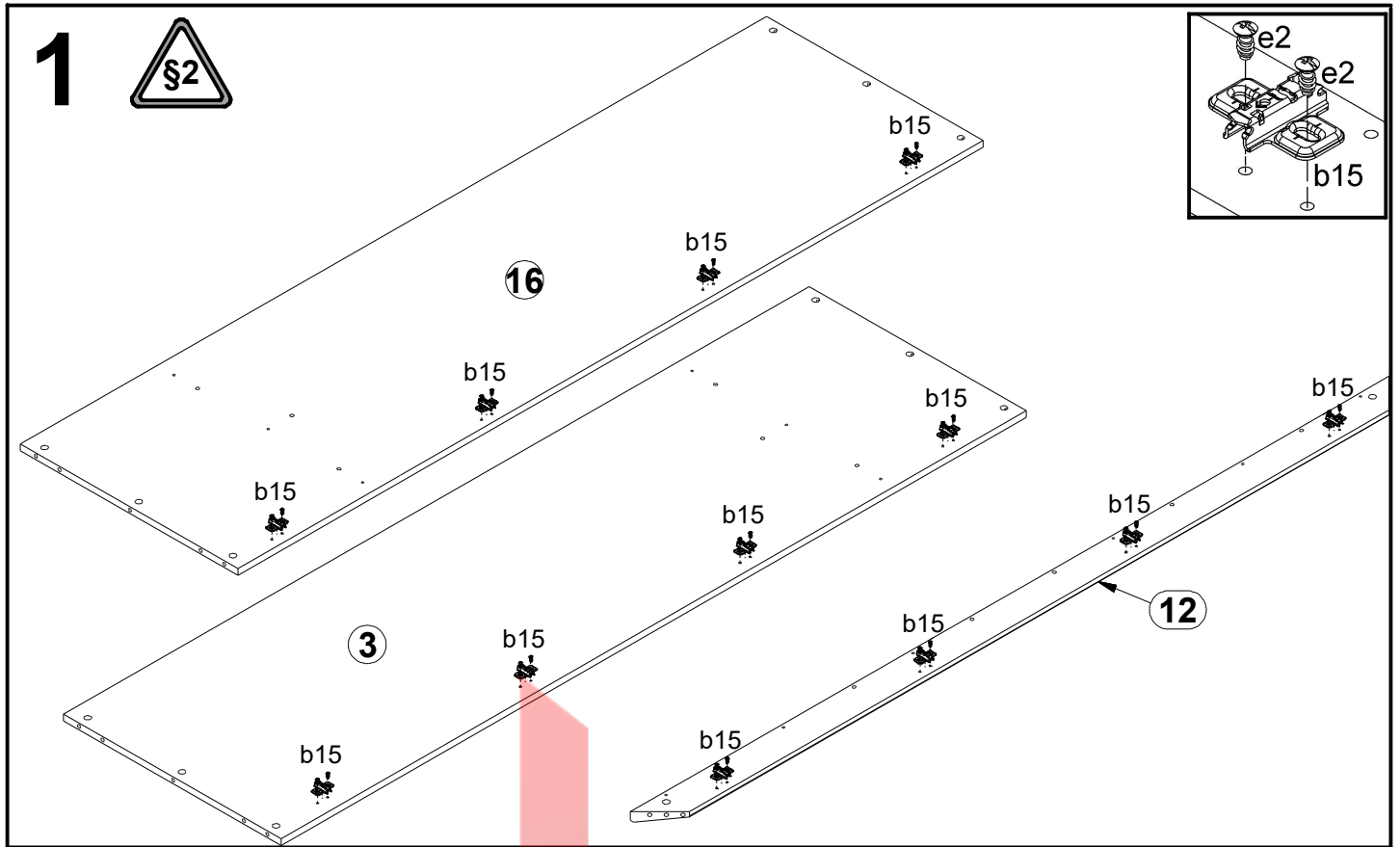
LARGO CLASSIC

SZF4D/21/20

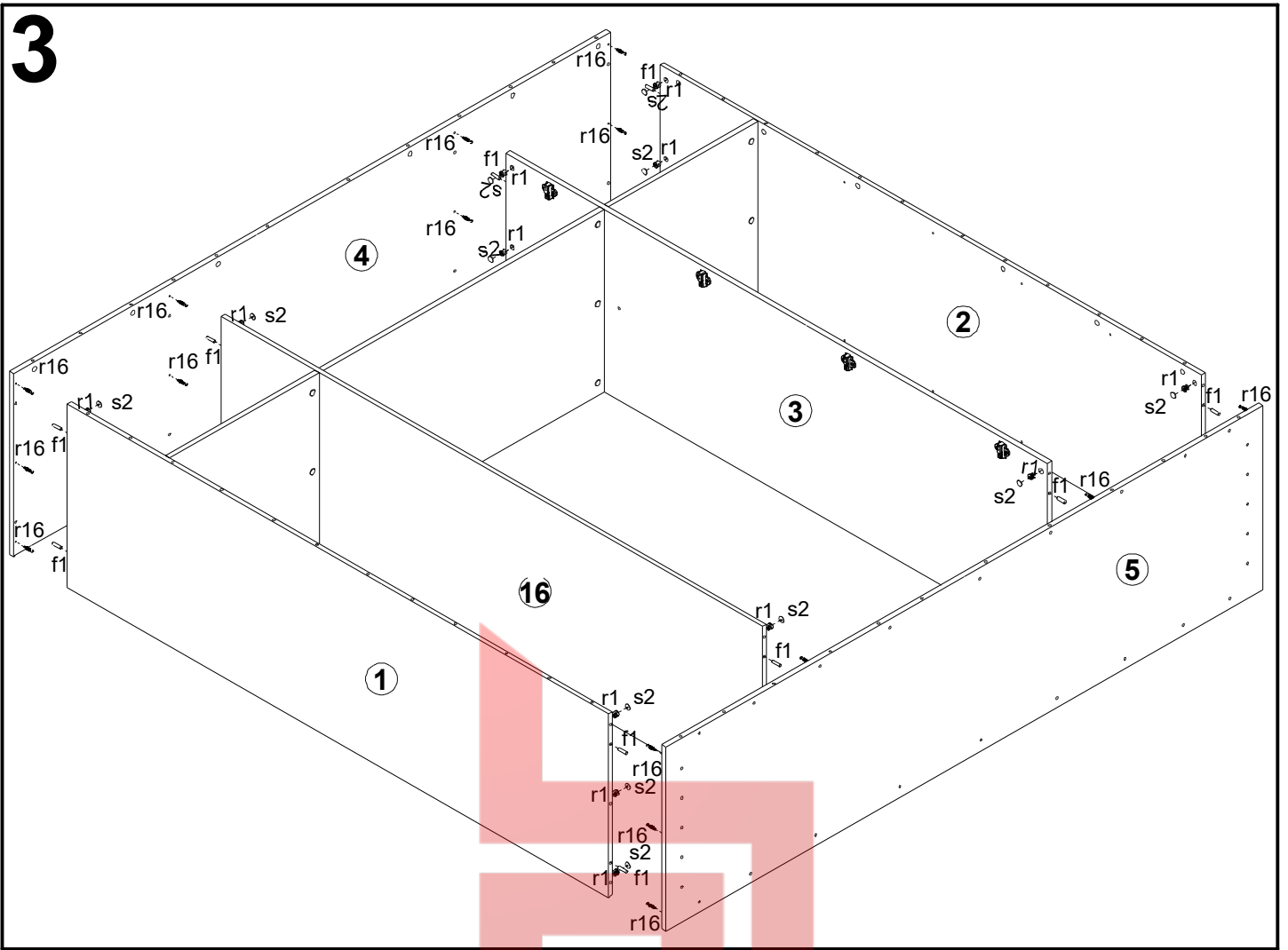
A	B	C	D	
1	S56-151	2028	591	1/8
2	S56-1119	2028	591	1/8
3	S56-120	2028	591	2/8
4	S56-240	2061	591	3/8
5	S56-241	2061	591	3/8
6	S56-330	876	591	3/8
7	S56-310	560	591	3/8
8	S56-311	560	591	4/8
9	S56-457	562	80	6/8
10	S56-480	1886	80	3/8
11	S56-579	2062	80	5/8
12	S56-579	2062	80	5/8
13	S56-9916	2048	578	1/8
14	S56-940	2048	445	1/8
15	dr-871	871	30	3/8
16	S56-150	2028	591	2/8
17	LH-2018	2018	14	1/8
18	S56-481	1960	80	6/8
19	S56-458	562	80	6/8



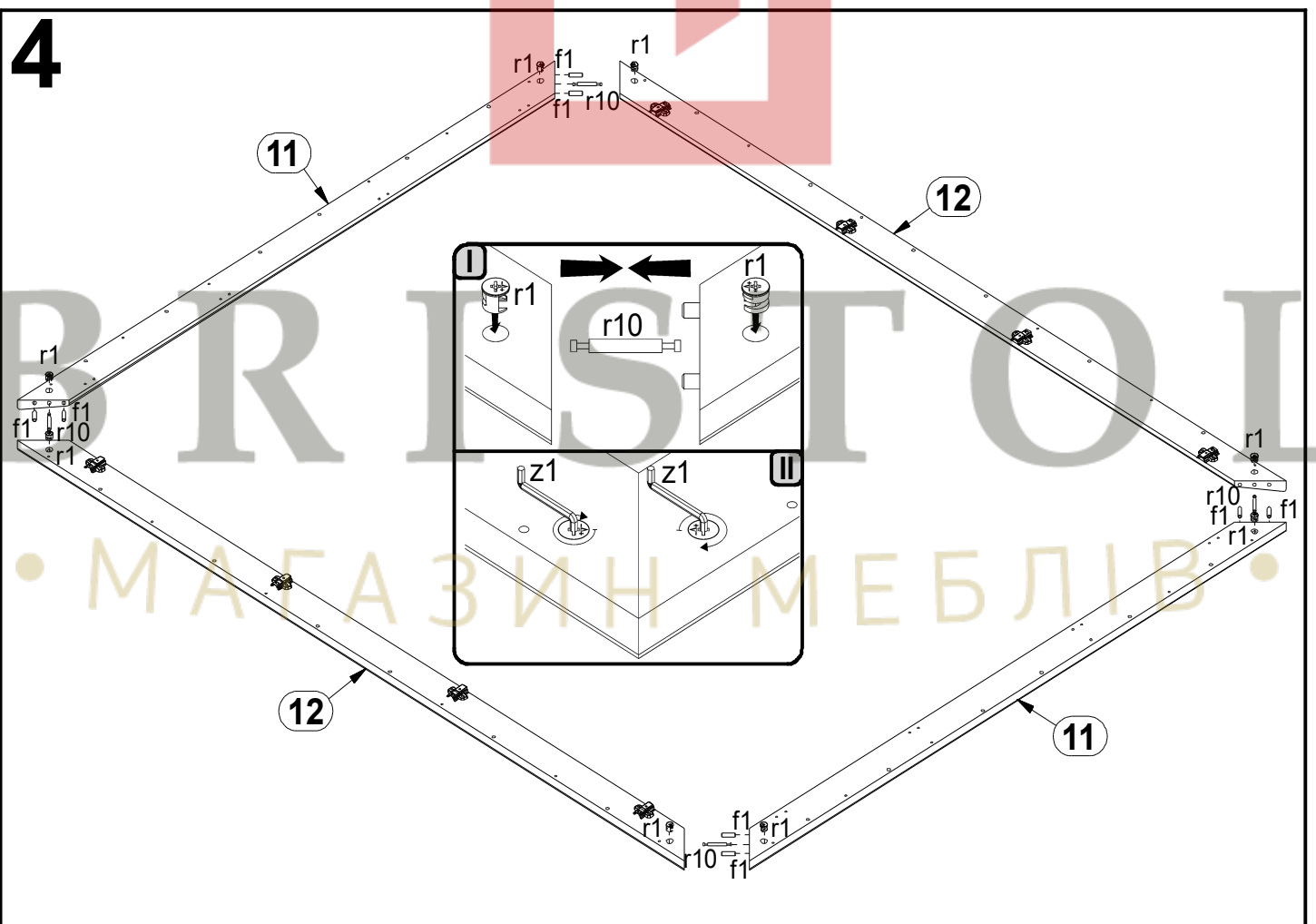
8x a28	8x a64	16x b15	32x $\phi 5 \times 17$ mm d1	32x $\phi 6,3 \times 13$ mm e2	86x $\phi 8 \times 30$ mm f1	5x M6 $\phi 8 \times 14$ mm k39 ²	5x M6 $\phi 22$ mm k39 ³	150x l1
2x n1	2x $\phi 3,5 \times 13$ mm p1	76x $\phi 1,5 \times 12$ mm #16 r1	8x $\phi 1,5 \times 15$ mm #22 r3	4x r10	68x r16	4x r38	42x $\phi 16$ s2	1x GLUE y1
1x z1	1x n26 ¹	1x $\phi 3,5 \times 16$ mm p38						

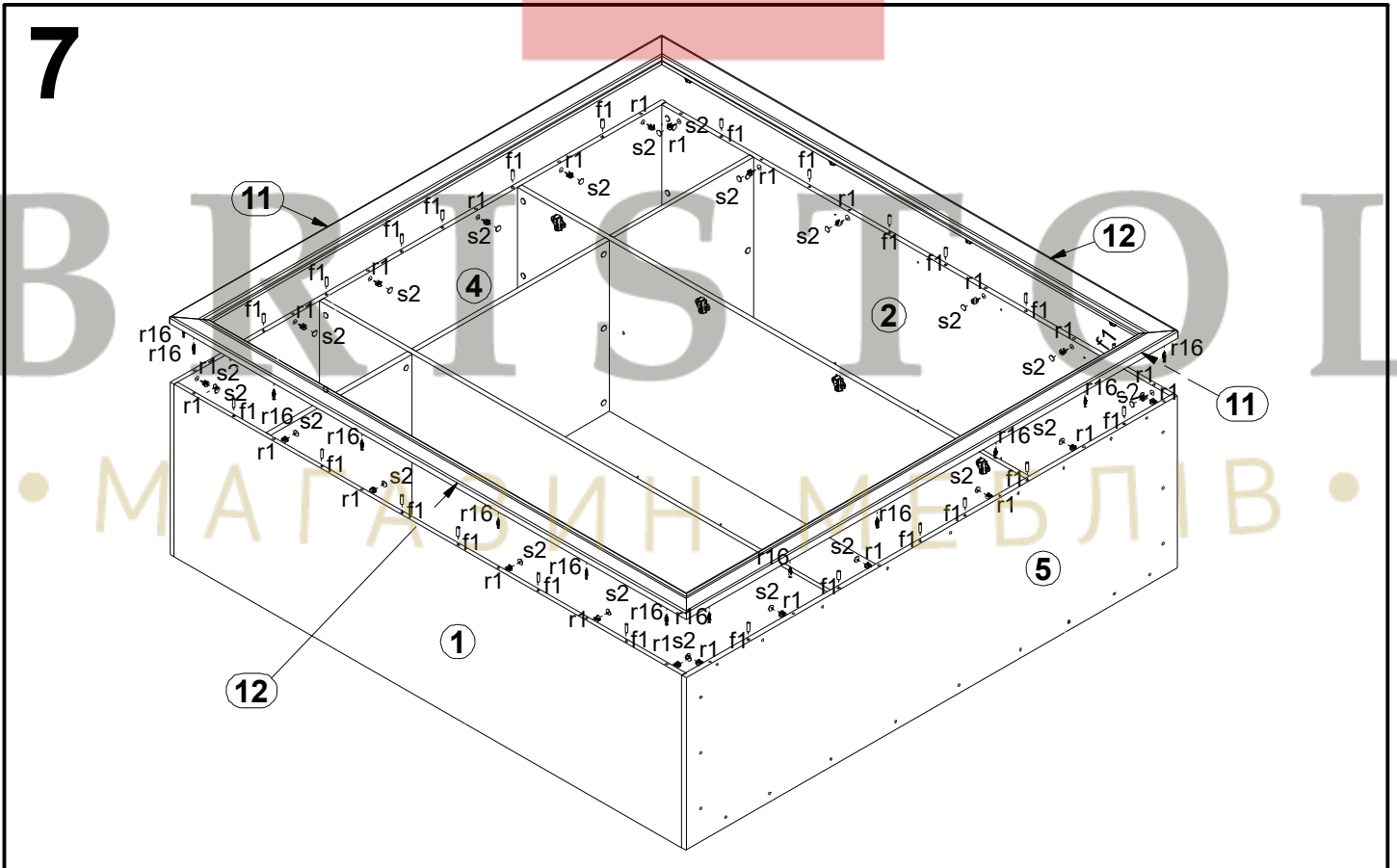
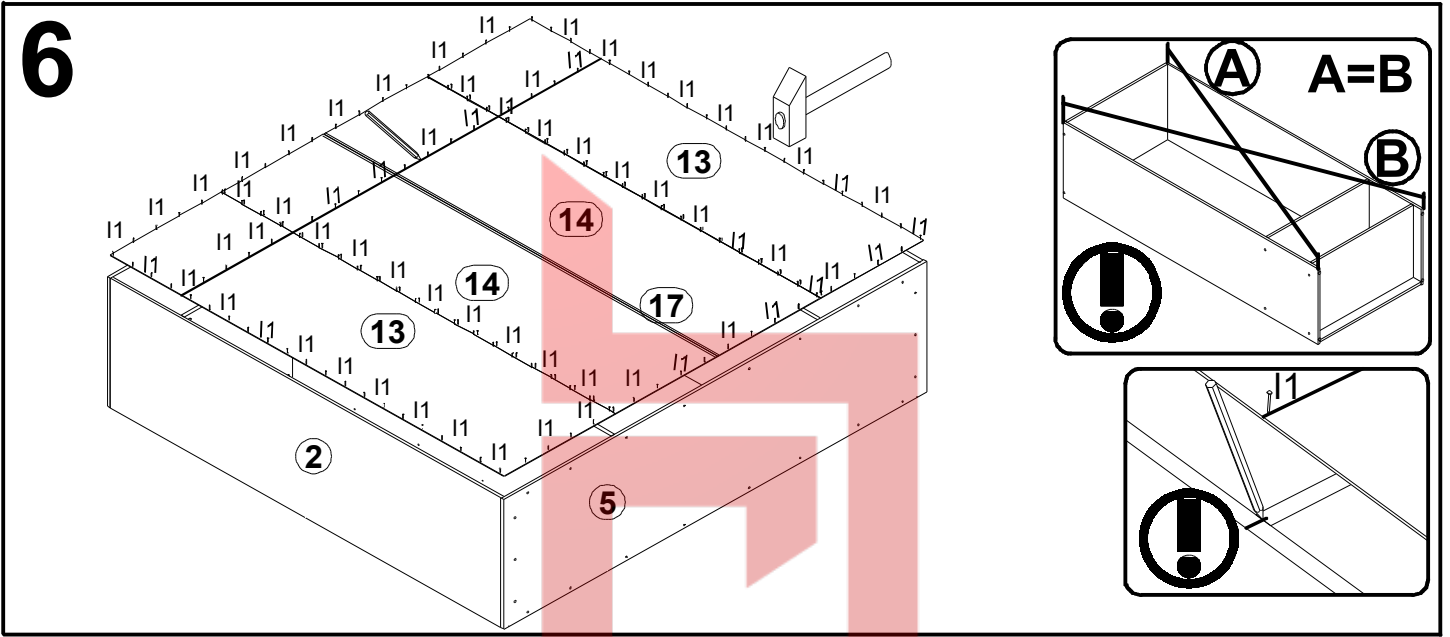
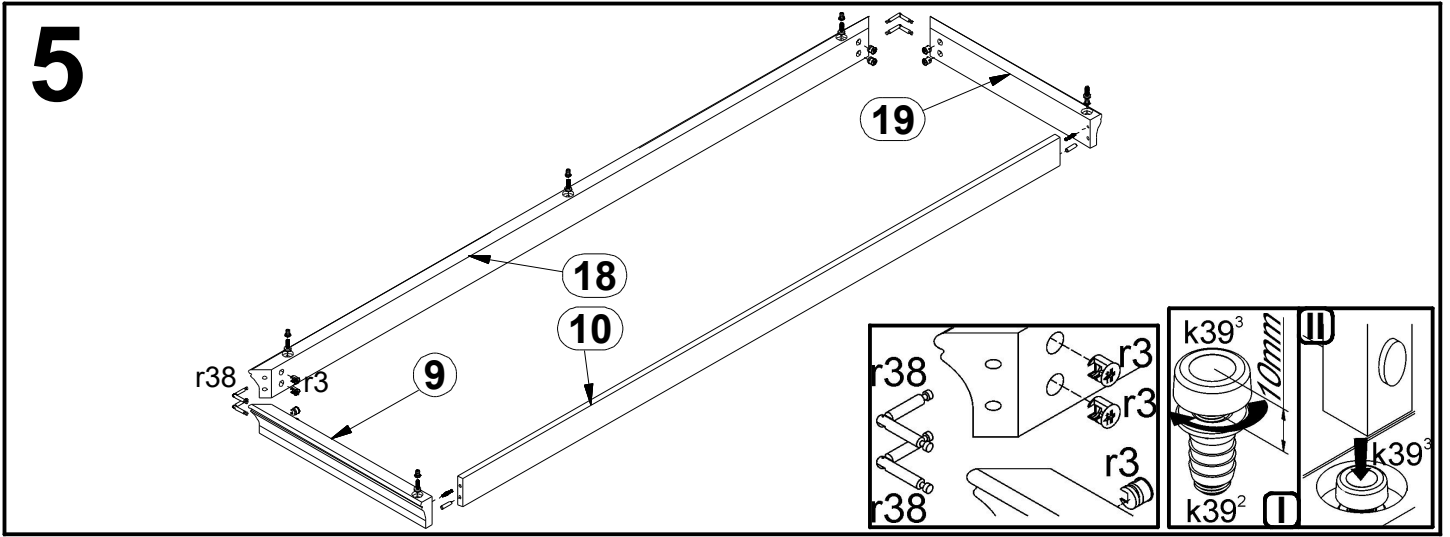


3

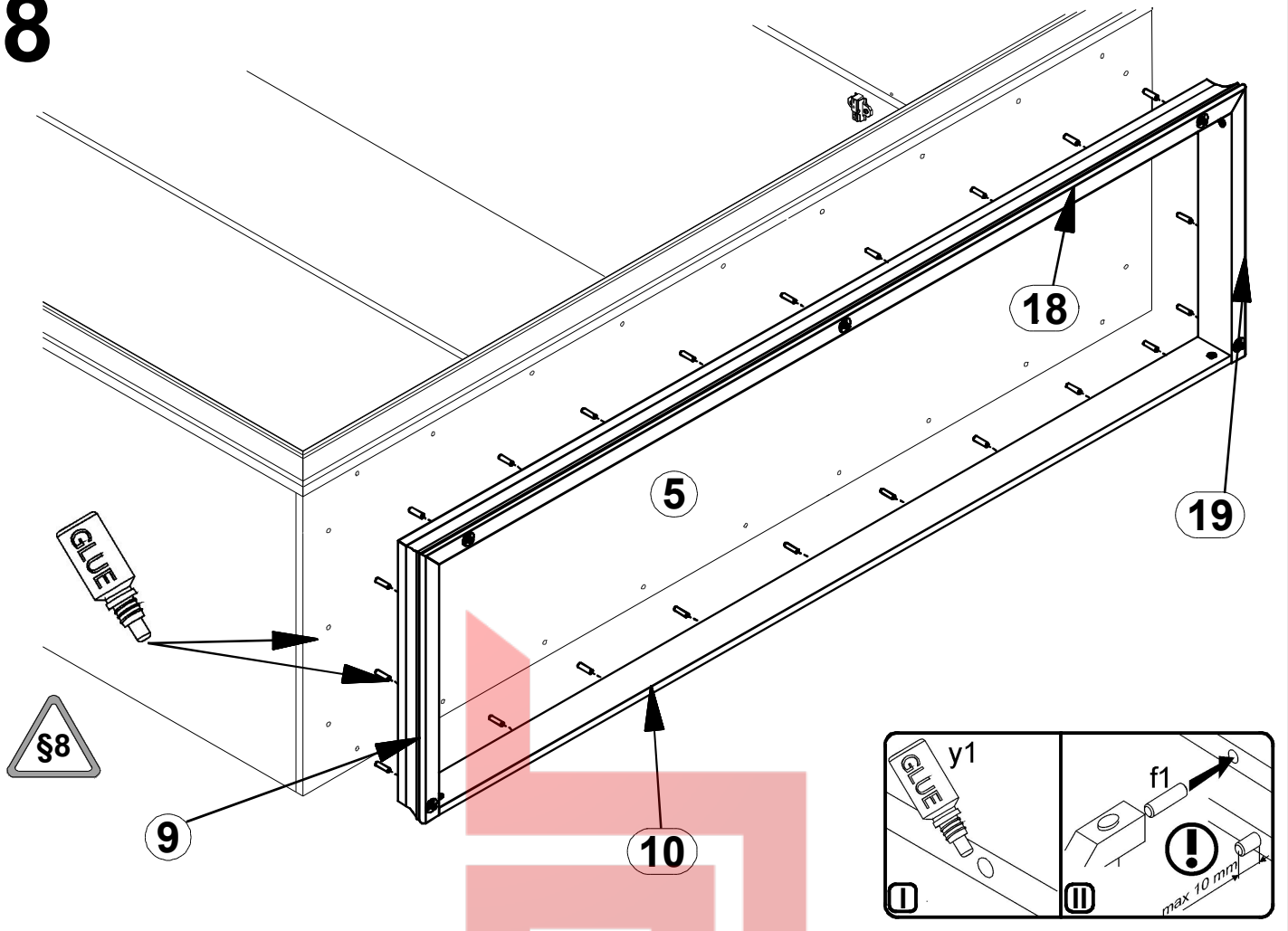


4

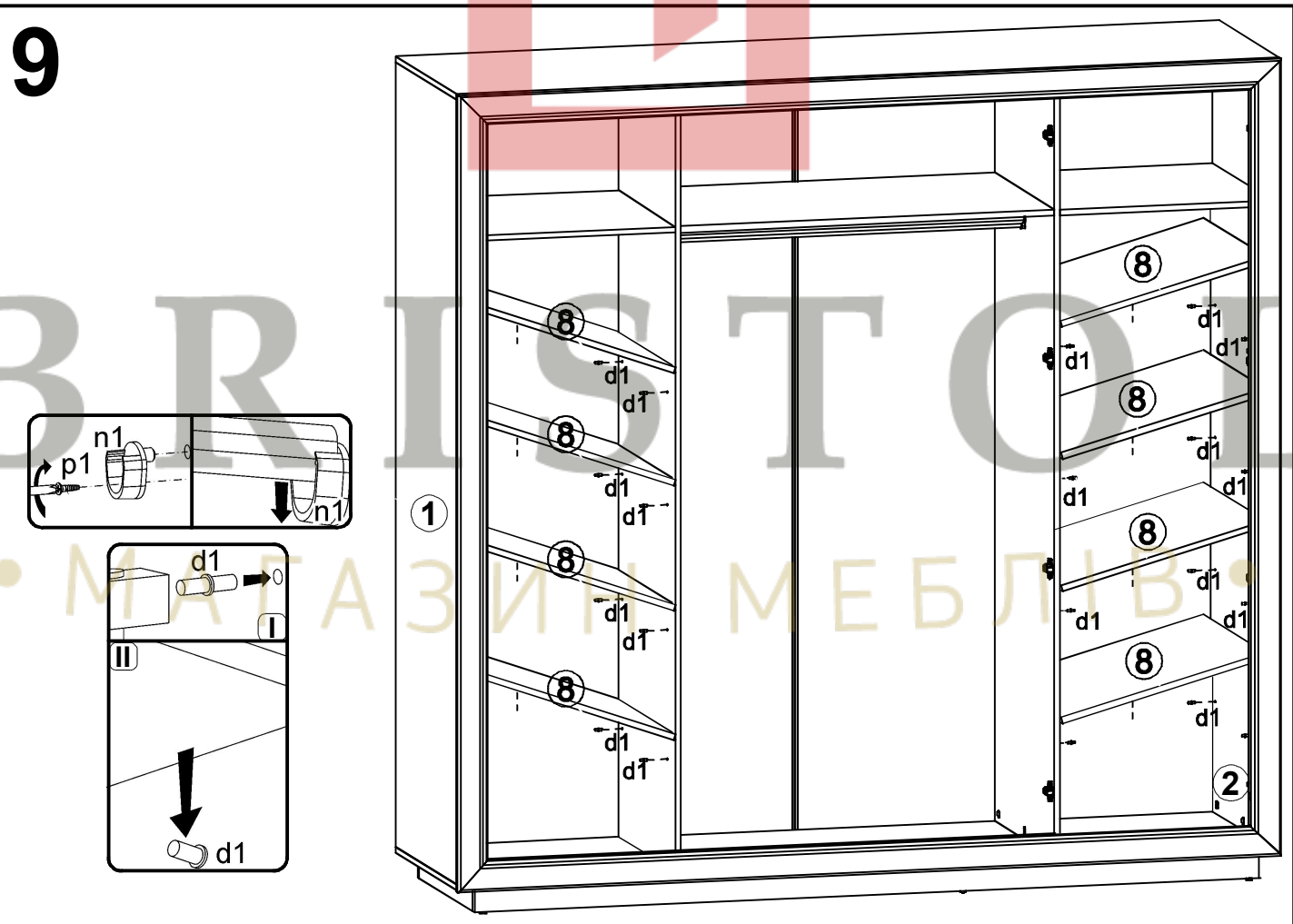




8



9



LARGO CLASSIC

SZF4D/21/20

A	B	C	D
1	S56-019	496	1896
2	S56-060	446	1896

