

INDIANA

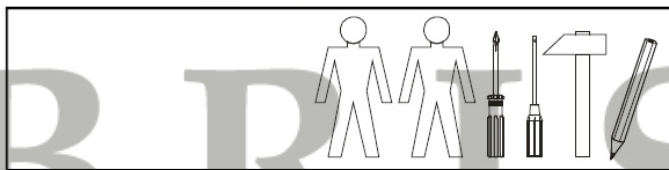
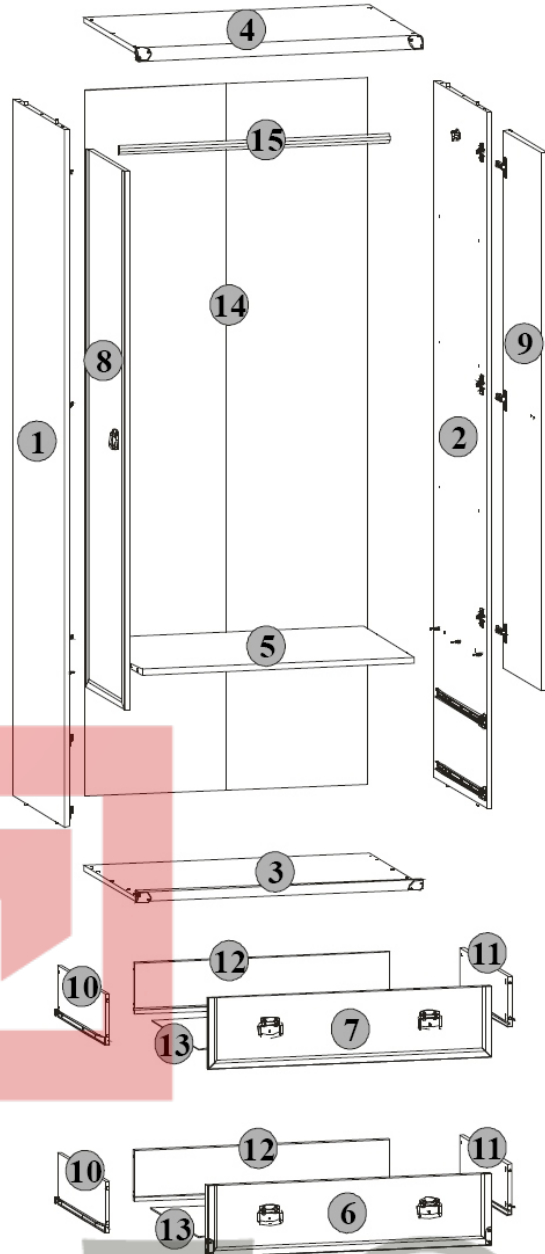
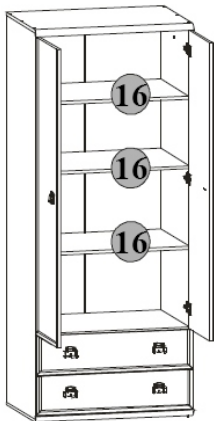
JSZF 2d2s



A	C	B	D
1	1916x540	S31-101	1/4
2	1916x540	S31-102	1/4
3	800x565	S31-201	2/4
4	800x565	S31-202	2/4
5	767x540	S31-301	1/4
6	796x196	S31-002	4/4
7	796x196	S31-006	4/4
8	1480x396	S31-004	4/4
9	1480x396	S31-005	4/4
10	500x140	S31-501	1/4
11	500x140	S31-502	1/4
12	718x140	S31-503	1/4
13	729x498	S31-904	1/4
14	1942x793	S31-901	1/4
15	760x24	dr-760	1/4



A	C	B	D
16	767x535	S31-302	1/1

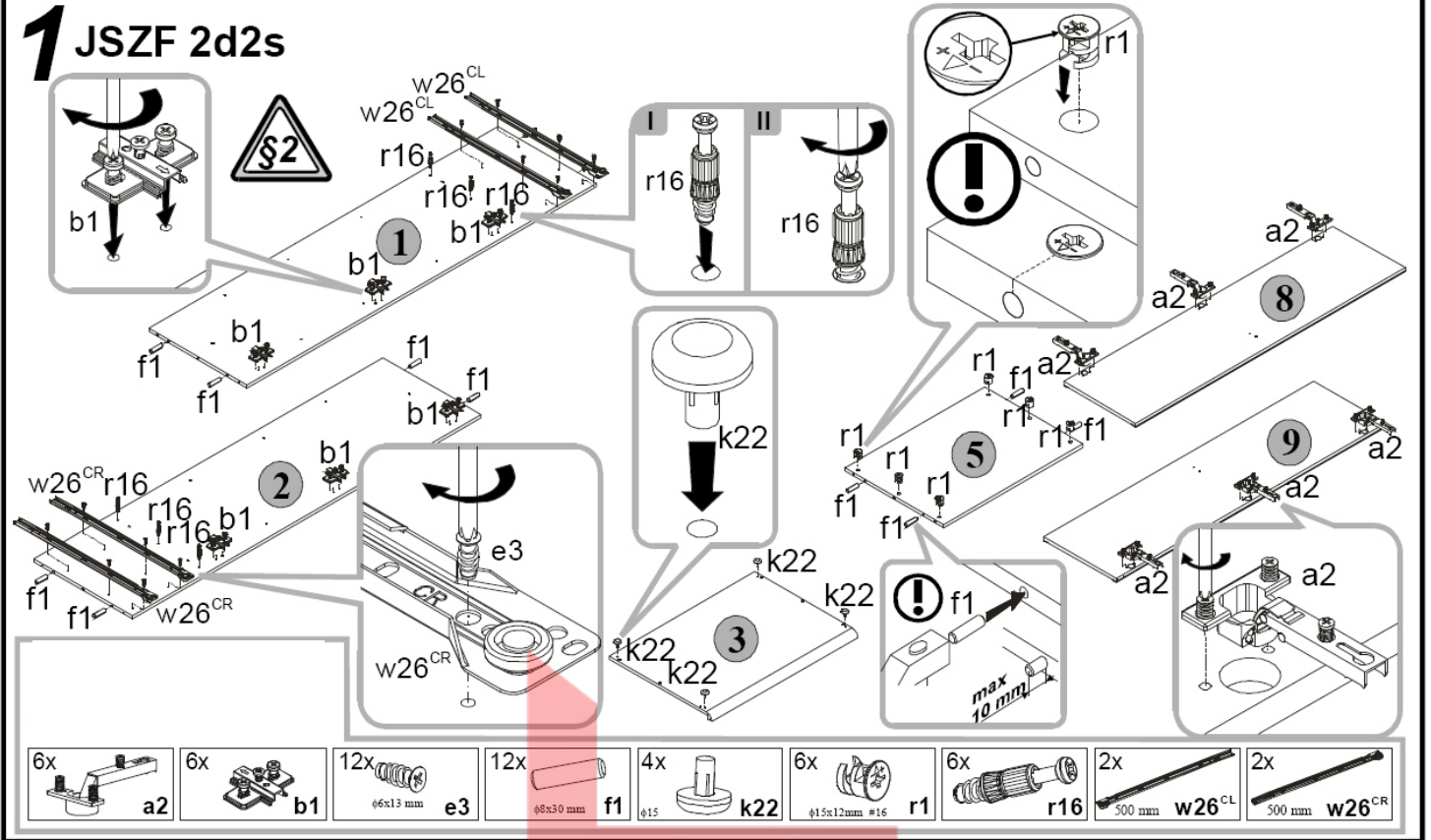


6x a2	6x b1	6x c158	12x e1 φ7x50 mm
12x e3 φ6x13 mm	12x e19 φ5x9 mm	12x f1 φ6x30 mm	8x f25 φ5.5x40 mm
12x j30 M4x22 mm	4x k22 φ15	65x l1	
4x i27	2x i28 ^L	2x i28 ^P	2x n1
2x p1 φ3.5x13 mm	4x p25 φ3.5x16 mm	16x p83 φ3x12 mm	
6x r1 φ15x12mm #16	8x r15 φ12x10.5mm #12	14x r16	2x t17 483 mm
2x w26 ^{CL} 500 mm	2x w26 ^{CR} 500 mm	2x w26 ^{DL} 500 mm	2x w26 ^{DR} 500 mm
2x z1	1x z1		

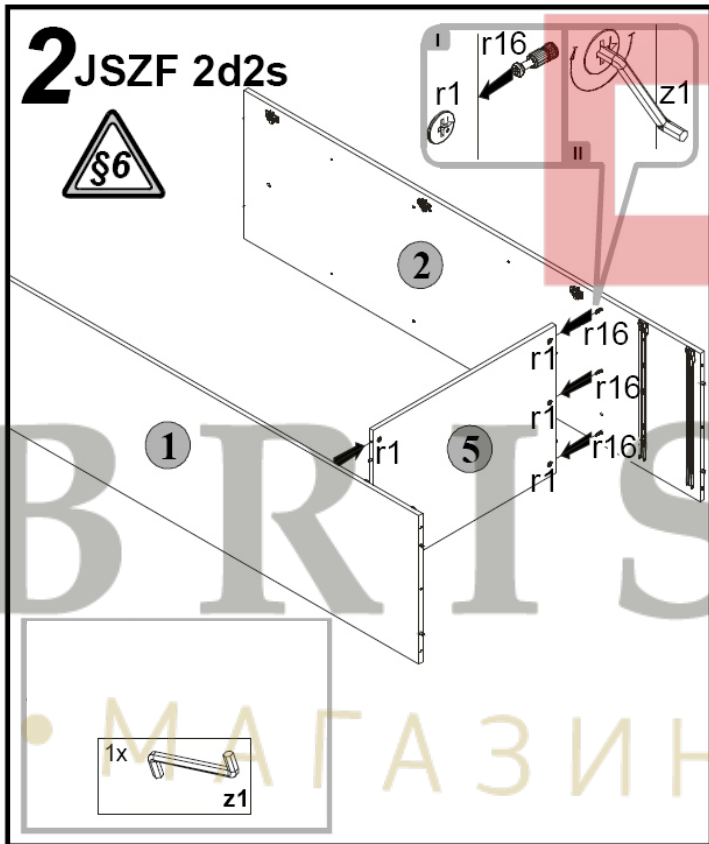


12x d1
φ5x17 mm

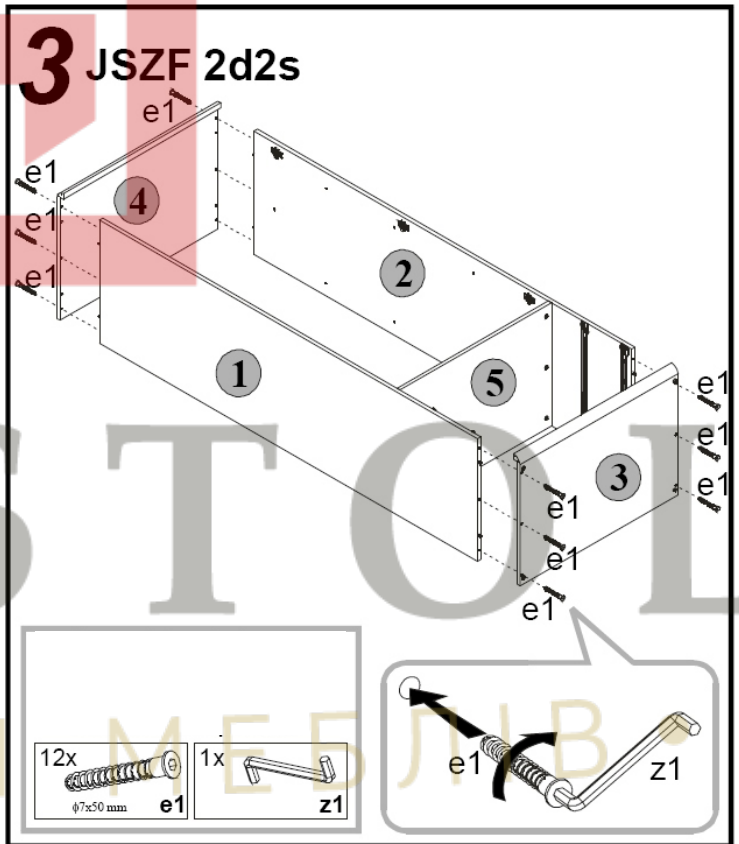
1 JSZF 2d2s



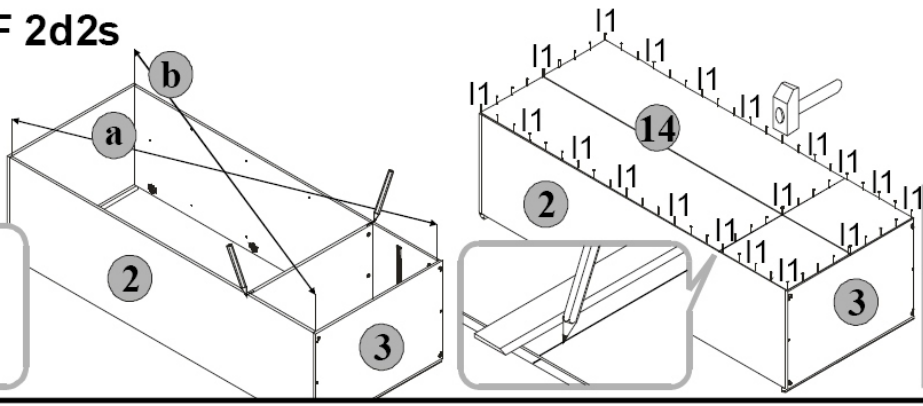
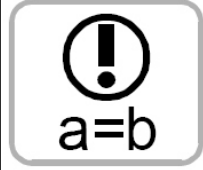
2 JSZF 2d2s



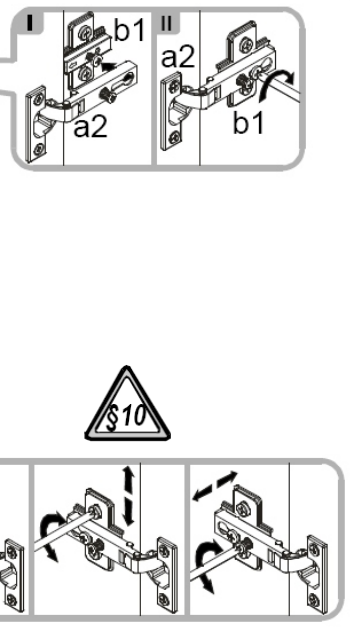
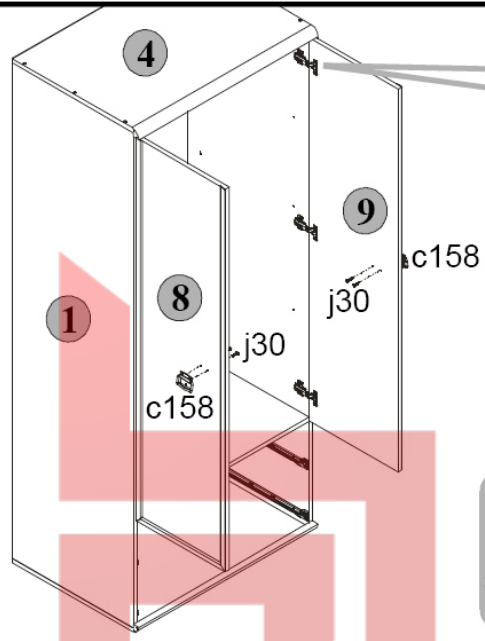
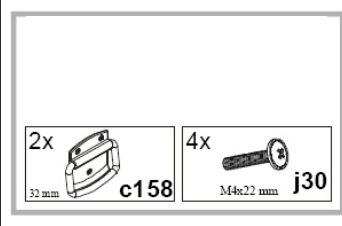
3 JSZF 2d2s



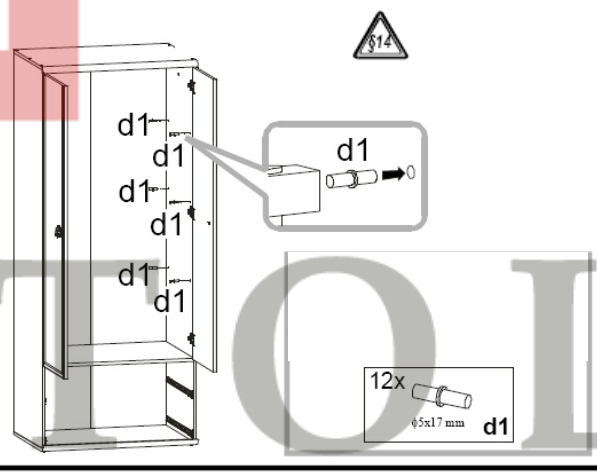
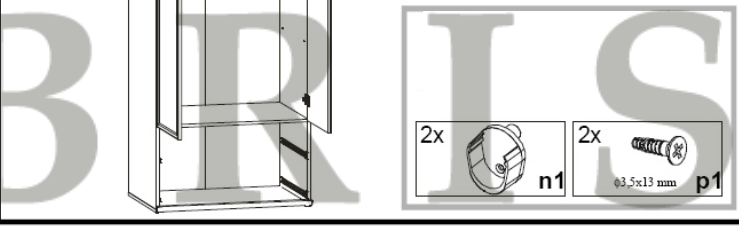
4 JSZF 2d2s



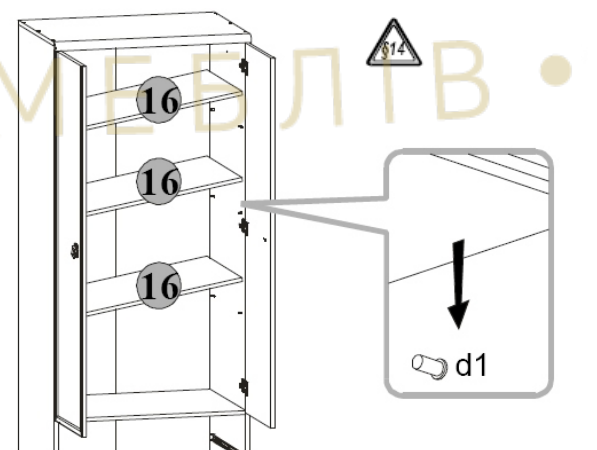
5 JSZF 2d2s



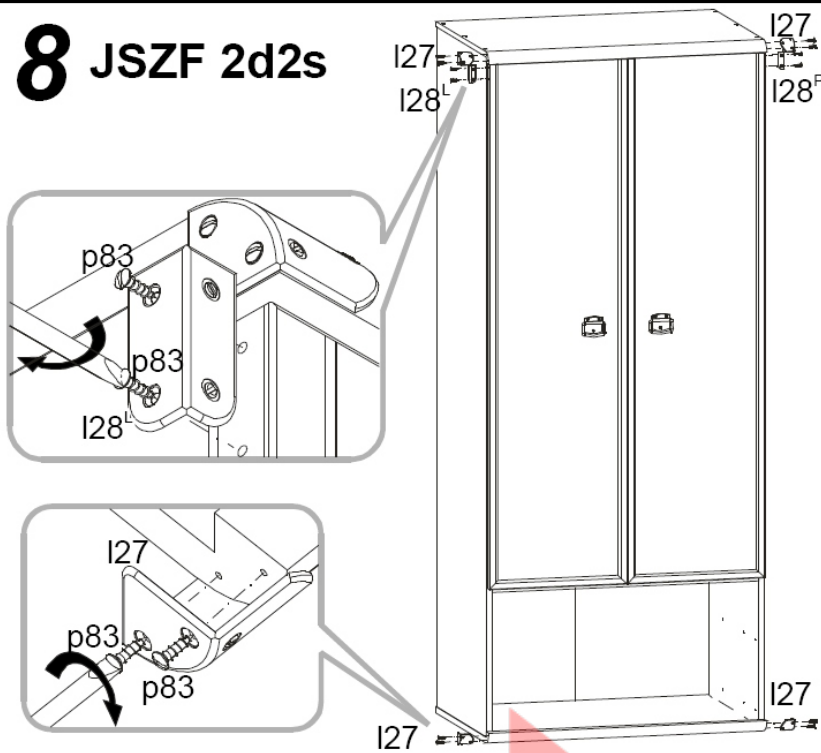
6 JSZF 2d2s



7 JSZF 2d2s

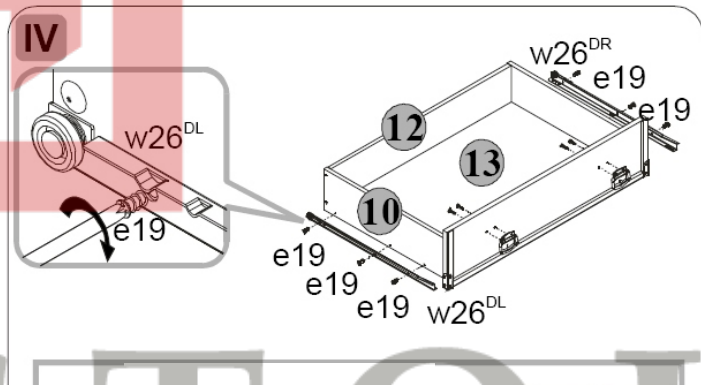
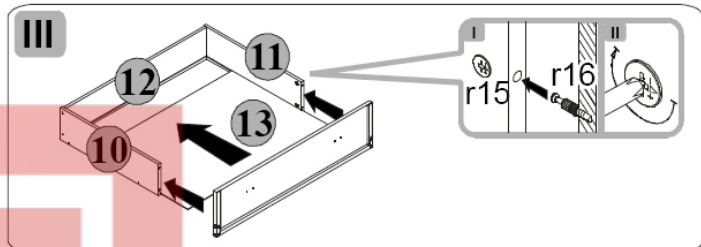
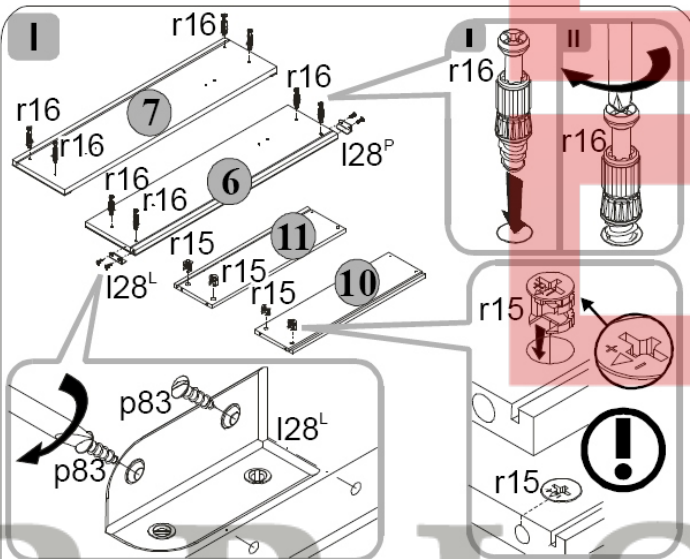


8 JSZF 2d2s



4x		I27	1x		I28 ^L
1x		I28 ^P	12x		p83

9 JSZF 2d2s



1x		I28 ^L	8x		r15
1x		I28 ^P	8x		r16
4x		p83			

12x		e19	4x		c158
8x		j30	2x		w26 ^{DL}
			2x		w26 ^{DR}

