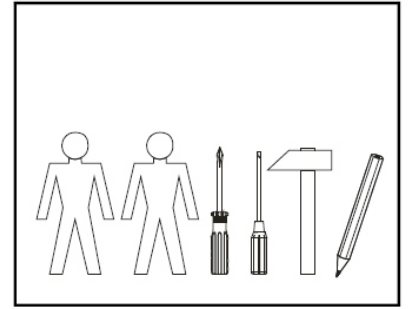
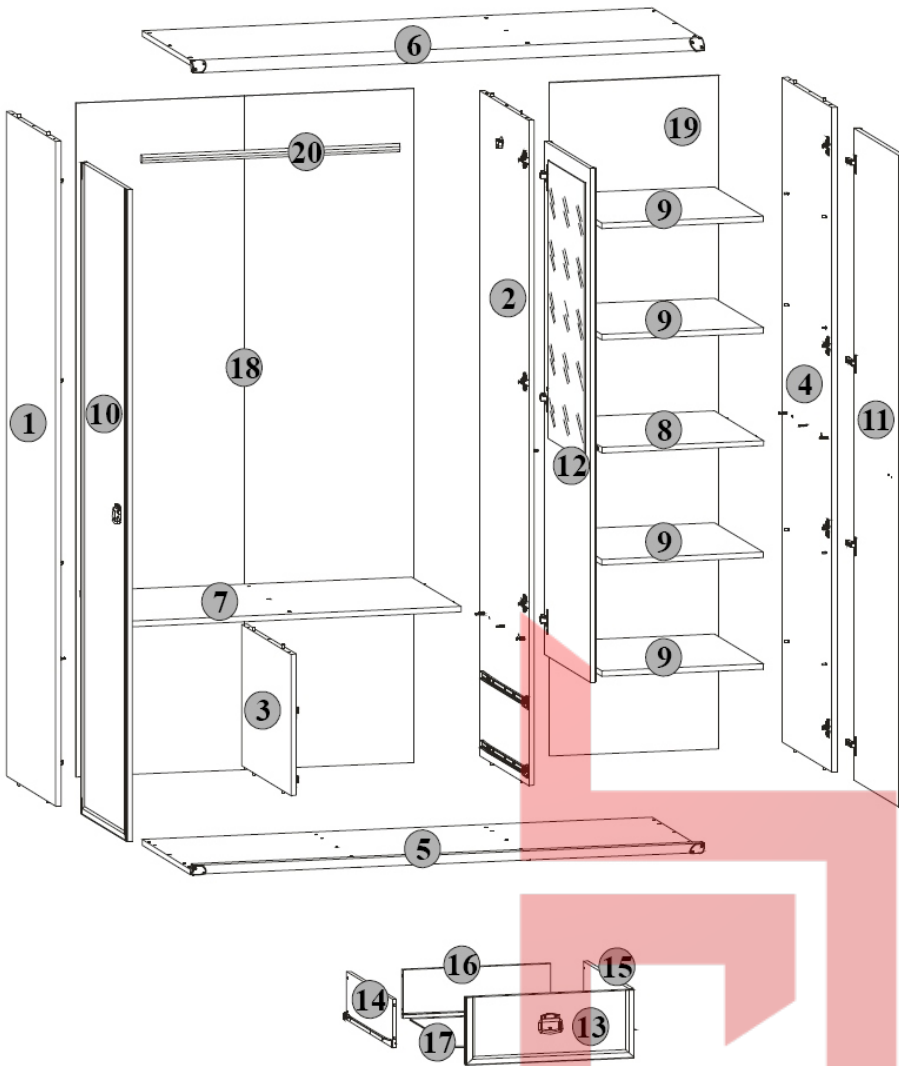
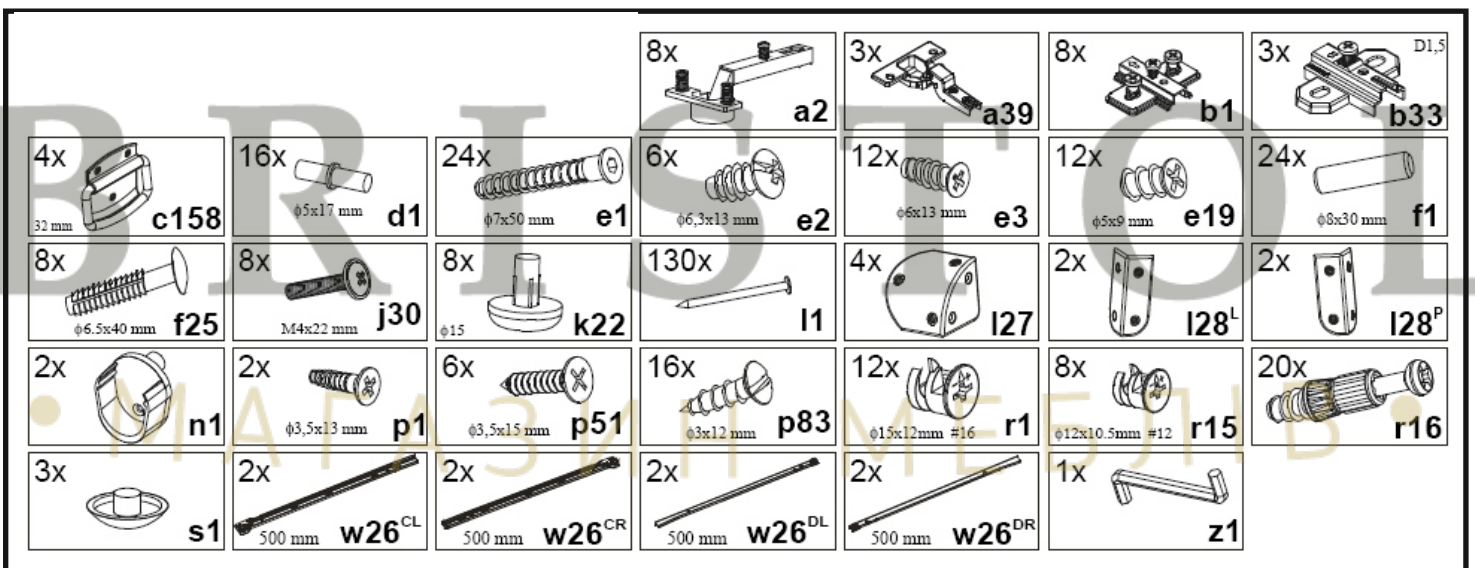


INDIANA

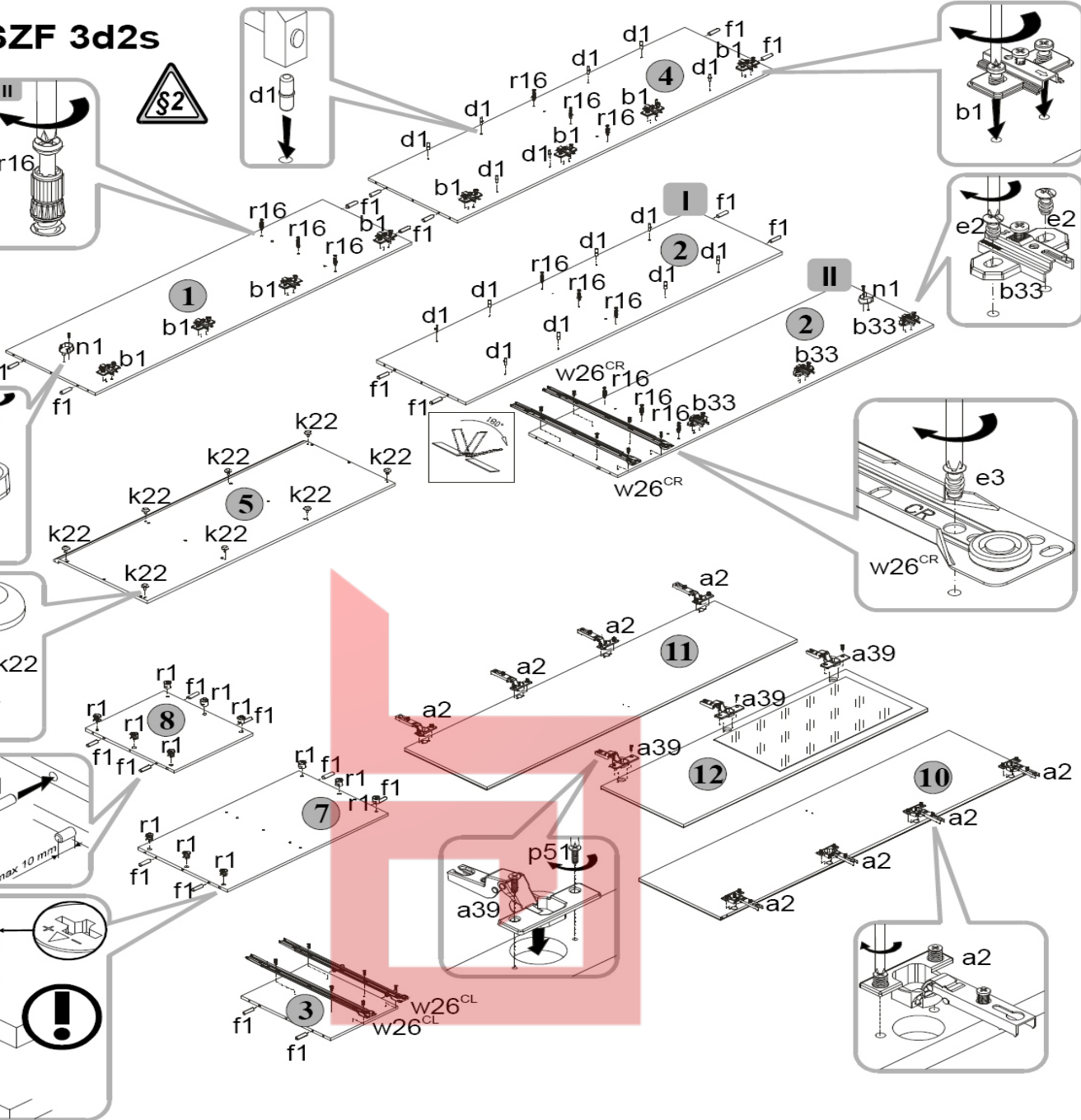
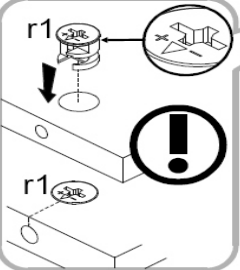
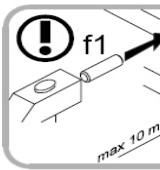
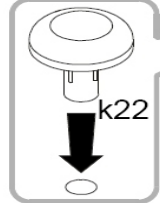
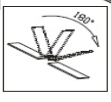
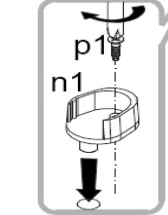
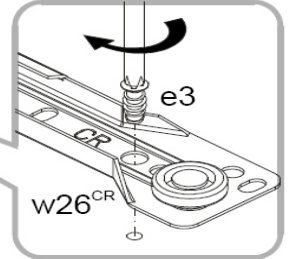
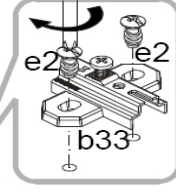
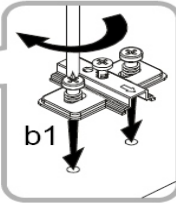
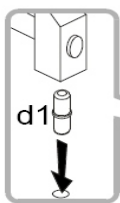
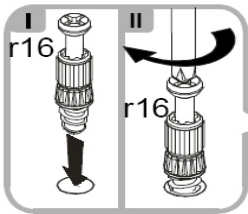
JSZF 3d2s



A	C	B	D
1	1916x540	S31-121	1/6
2	1916x540	S31-122	1/6
3	408x540	S31-123	2/6
4	1916x540	S31-124	1/6
5	1500x565	S31-218	3/6
6	1500x565	S31-219	3/6
7	975x540	S31-313	1/6
8	475x540	S31-314	2/6
9	475x535	S31-315	2/6
10	1878x496	S31-019	5/6
11	1878x496	S31-020	5/6
12	1480x496	S31-021	6/6
13	496x196	S31-018	4/6
14	500x140	S31-501	1/6
15	500x140	S31-502	1/6
16	435x140	S31-511	1/6
17	446x498	S31-915	1/6
18	1942x995	S31-916	1/6
19	1942x496	S31-917	1/6
20	967x24	dr-967	1/6

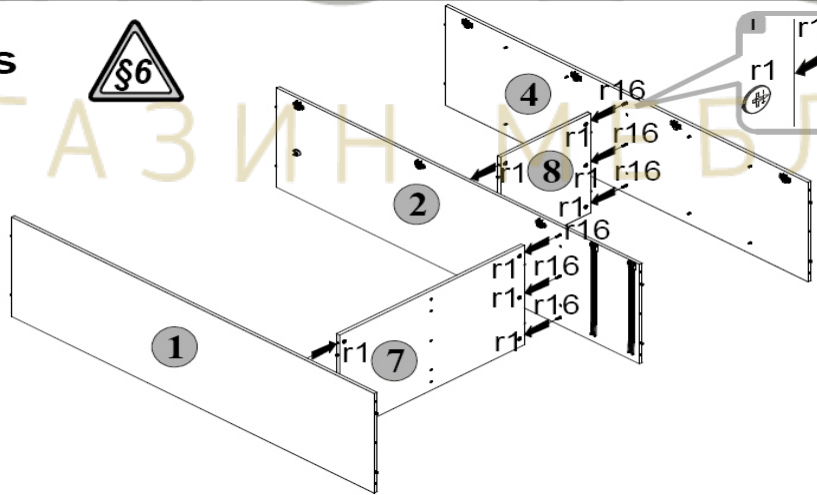
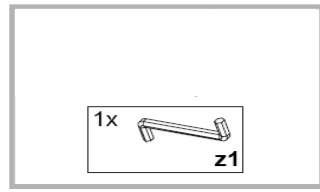
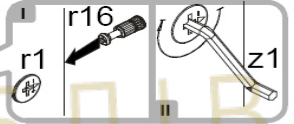


1 JSZF 3d2s

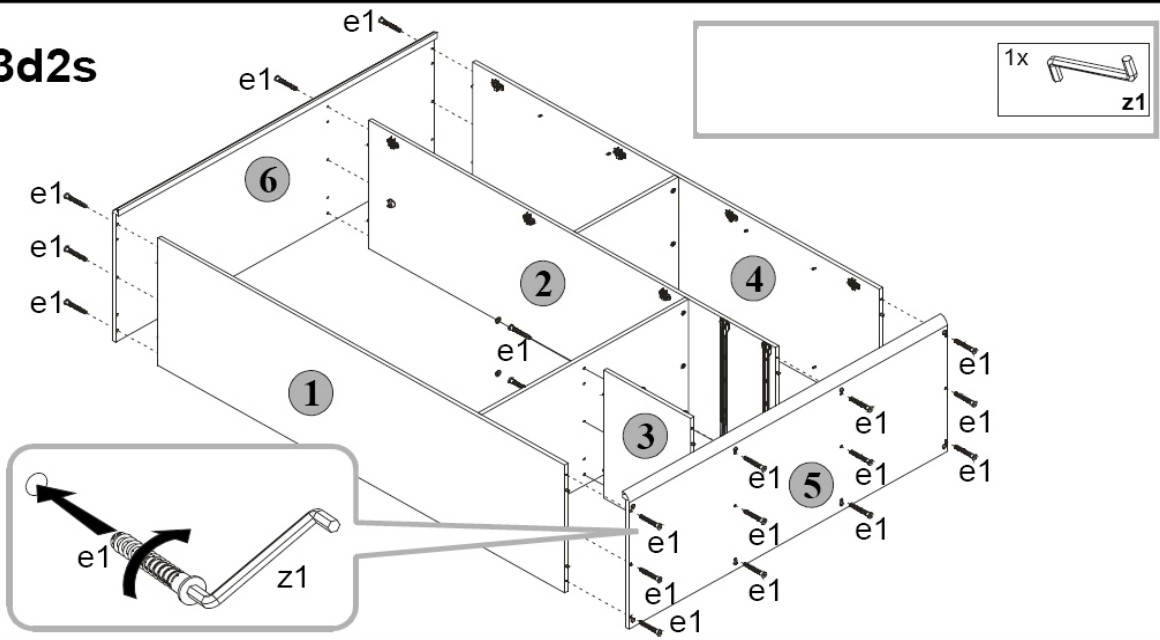


8x	3x	8x	3x	16x	6x	12x
24x	8x	2x	2x	6x	12x	12x
					2x	2x

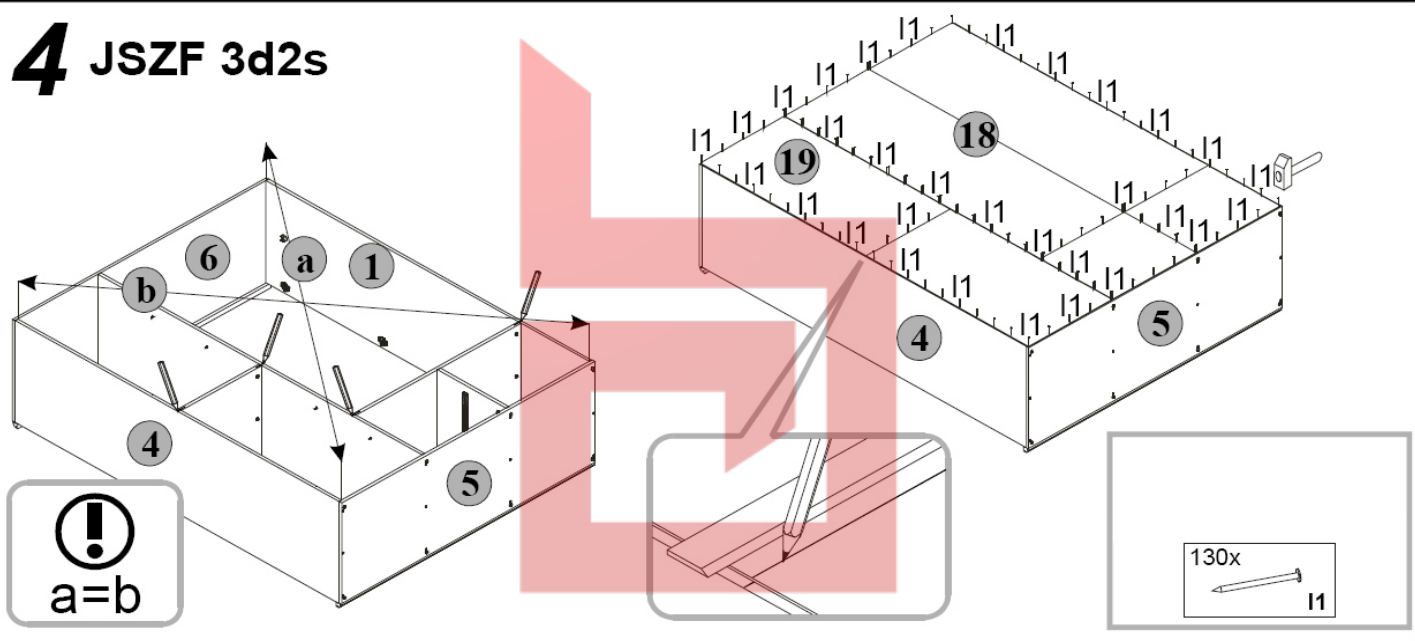
2 JSZF 3d2s



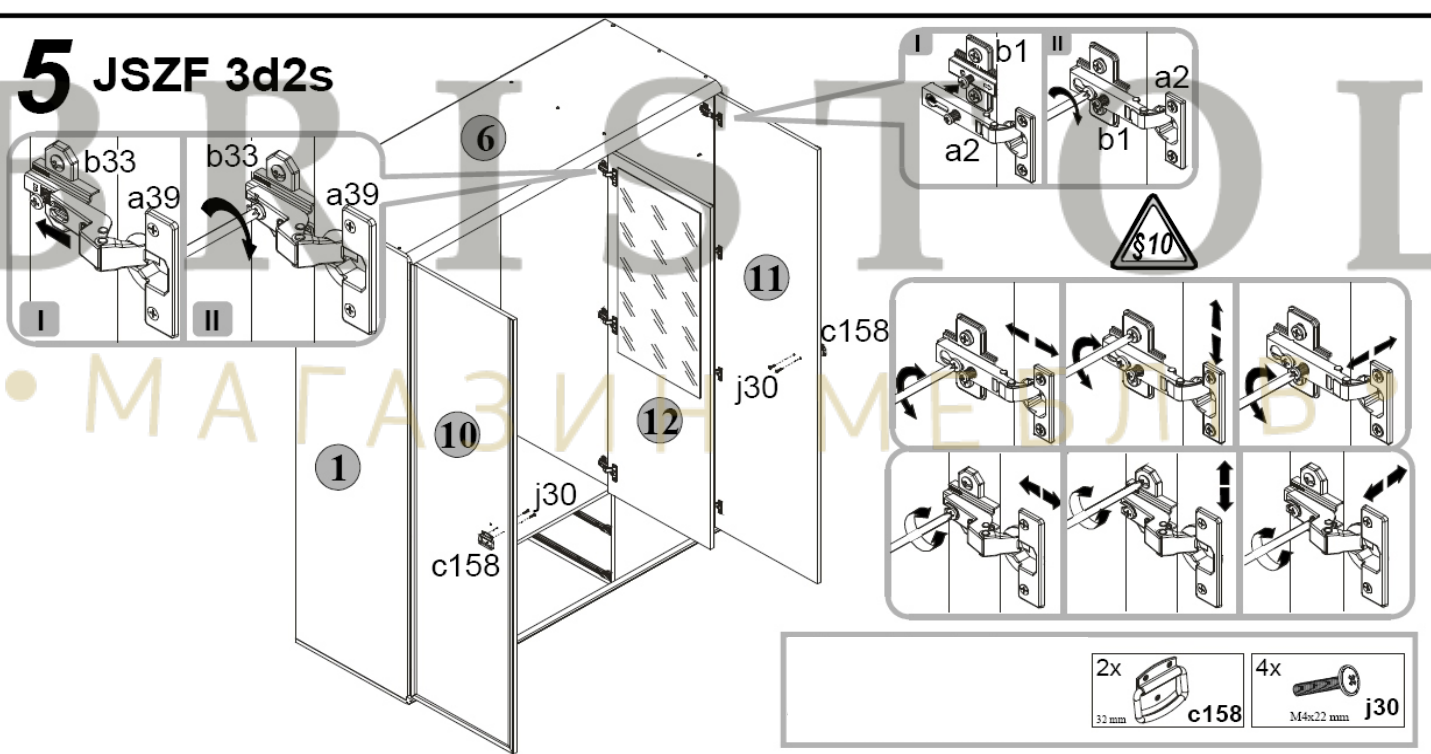
3 JSZF 3d2s



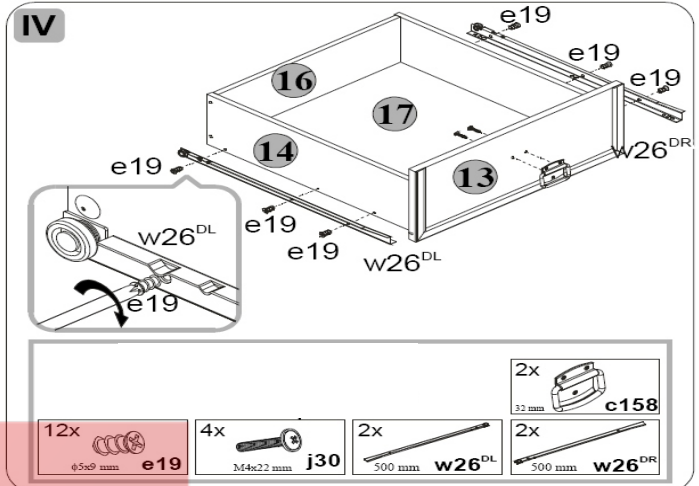
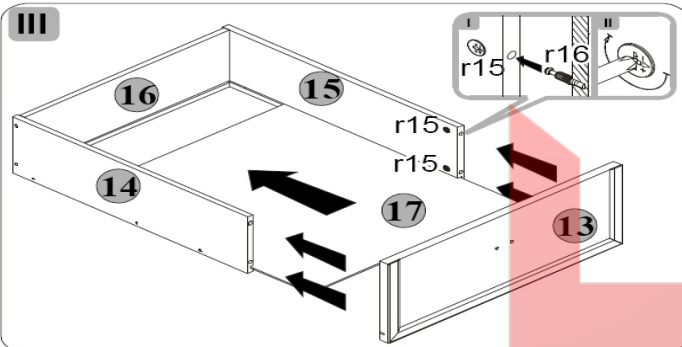
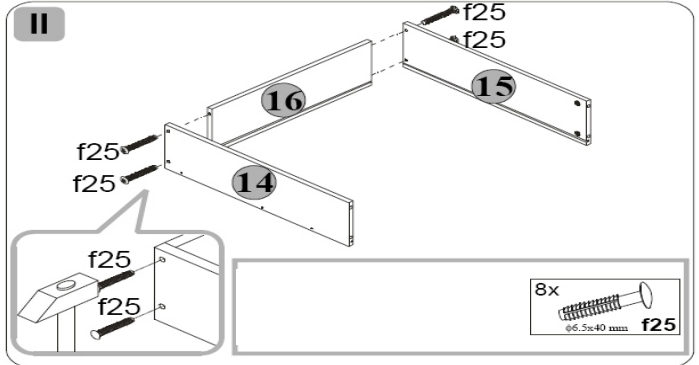
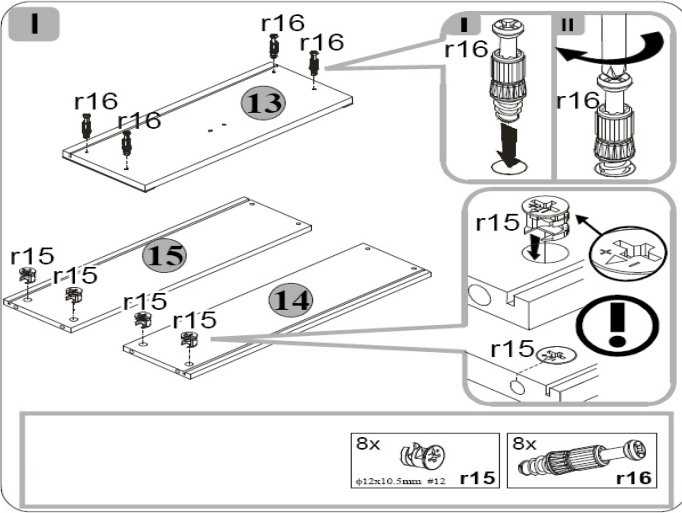
4 JSZF 3d2s



5 JSZF 3d2s



6 JSZF 3d2s



7 JSZF 3d2s

