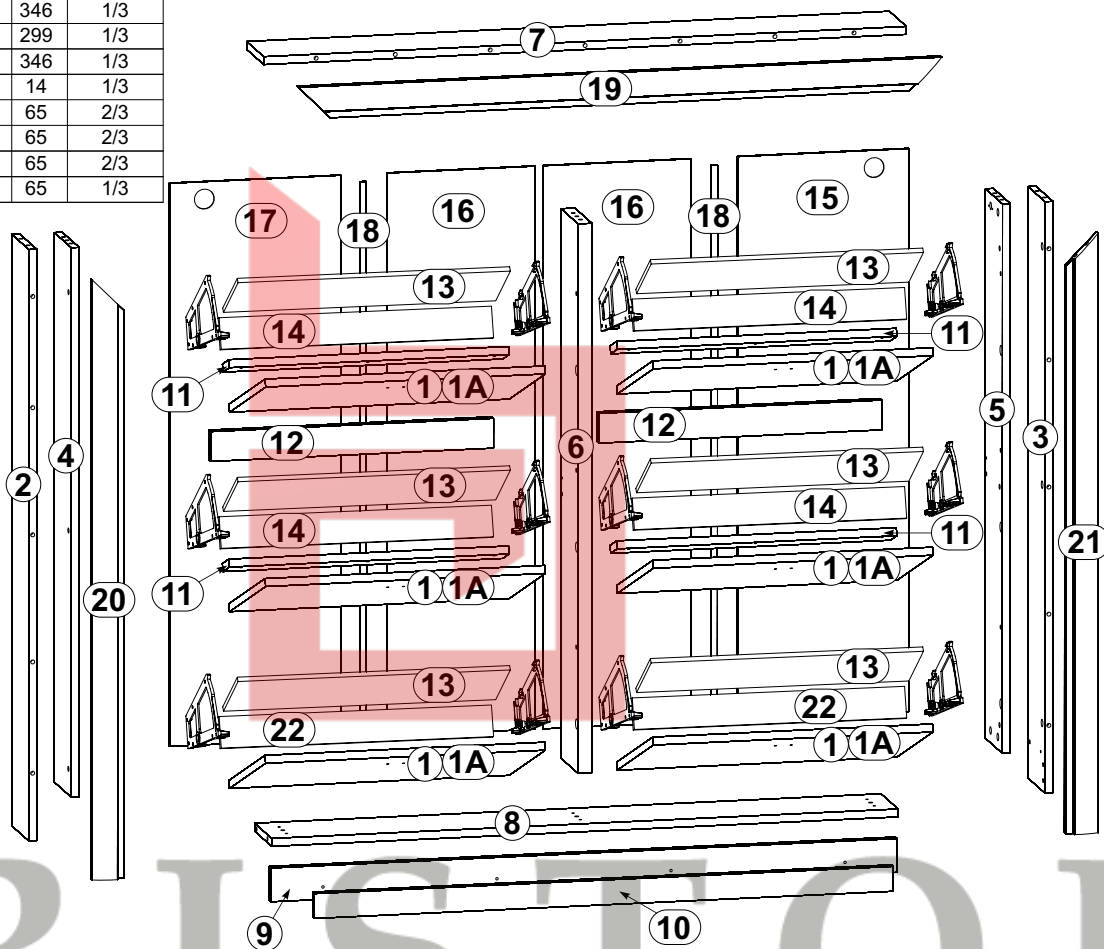
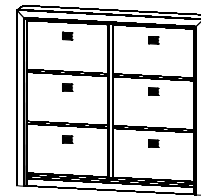
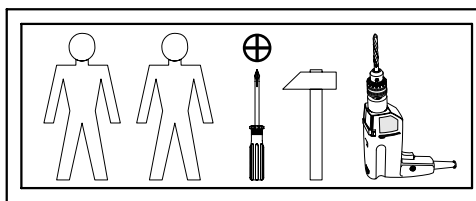


# КОЕН

Тумба для взуття / Тумба для обуви\_6D

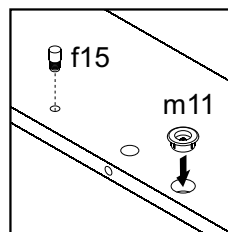
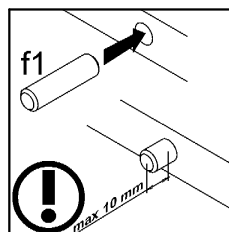
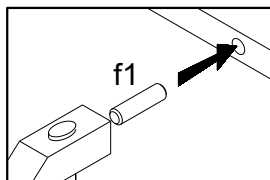
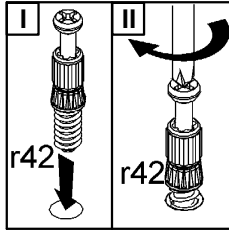
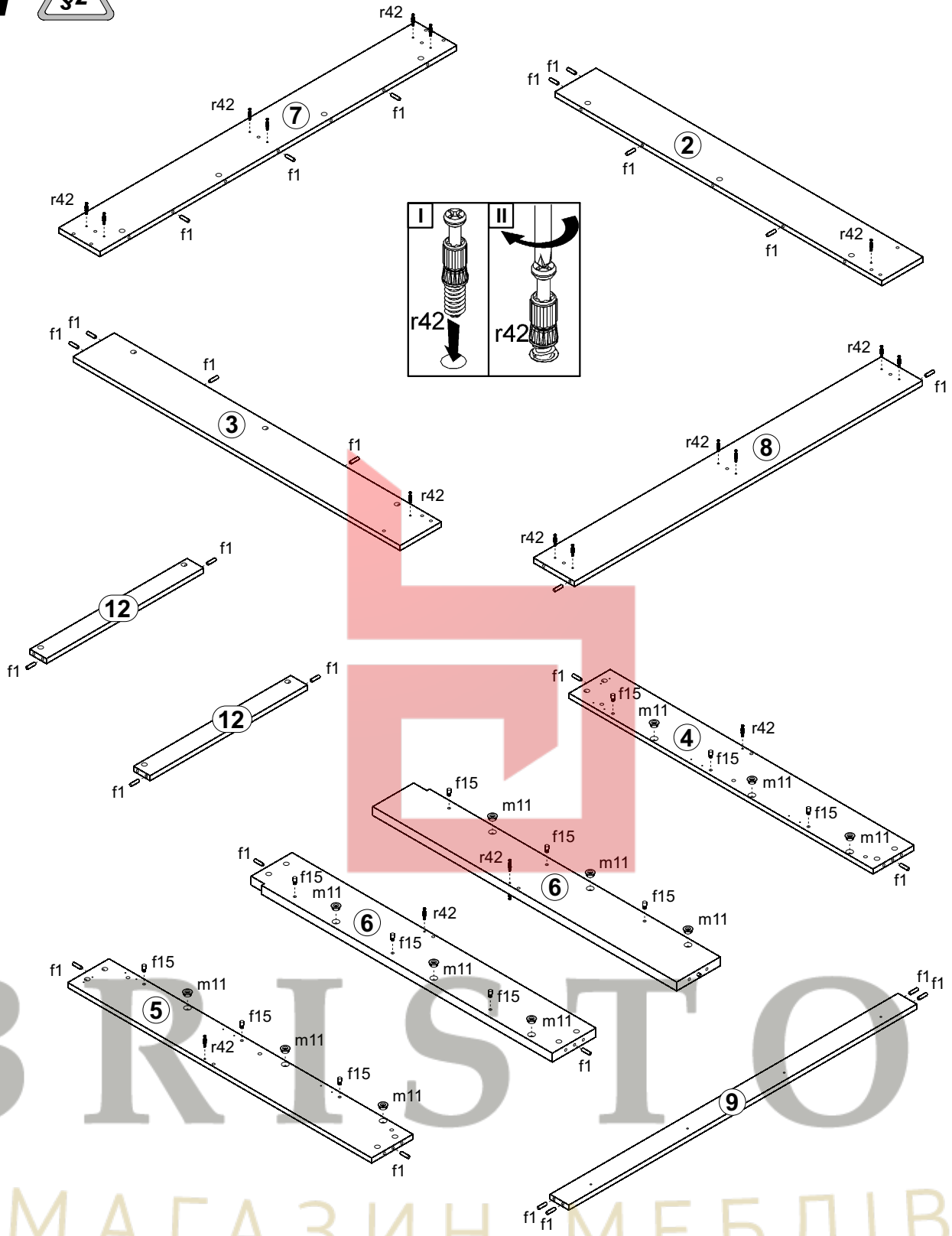
| A  | B         | C      | D   |     |
|----|-----------|--------|-----|-----|
| 1  | S136-042  | 338    | 566 | 3/3 |
| 1A | S136-042A | 338    | 566 | 3/3 |
| 2  | S136-190  | 1191   | 150 | 1/3 |
| 3  | S136-191  | 1191   | 150 | 1/3 |
| 4  | S136-192  | 1106,5 | 150 | 1/3 |
| 5  | S136-193  | 1106,5 | 150 | 1/3 |
| 6  | S136-194  | 1106,5 | 150 | 1/3 |
| 7  | S136-230  | 1300   | 150 | 1/3 |
| 8  | S136-348  | 1267   | 150 | 1/3 |
| 9  | S136-459  | 1267   | 68  | 1/3 |
| 10 | S136-460  | 1171   | 50  | 1/3 |
| 11 | S136-457  | 566    | 60  | 1/3 |
| 12 | S136-458  | 572    | 60  | 1/3 |
| 13 | S136-520  | 559    | 140 | 1/3 |
| 14 | S136-522  | 559    | 55  | 1/3 |
| 15 | S136-931  | 1134   | 346 | 1/3 |
| 16 | S136-933  | 1134   | 299 | 1/3 |
| 17 | S136-932  | 1134   | 346 | 1/3 |
| 18 | LH-1106   | 1106   | 14  | 1/3 |
| 19 | S136-565  | 1301   | 65  | 2/3 |
| 20 | S136-563  | 1208   | 65  | 2/3 |
| 21 | S136-564  | 1208   | 65  | 2/3 |
| 22 | S136-521  | 559    | 65  | 1/3 |

→ Фасад ДСП  
→ Фасад МДФ

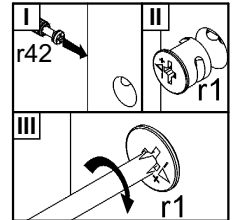
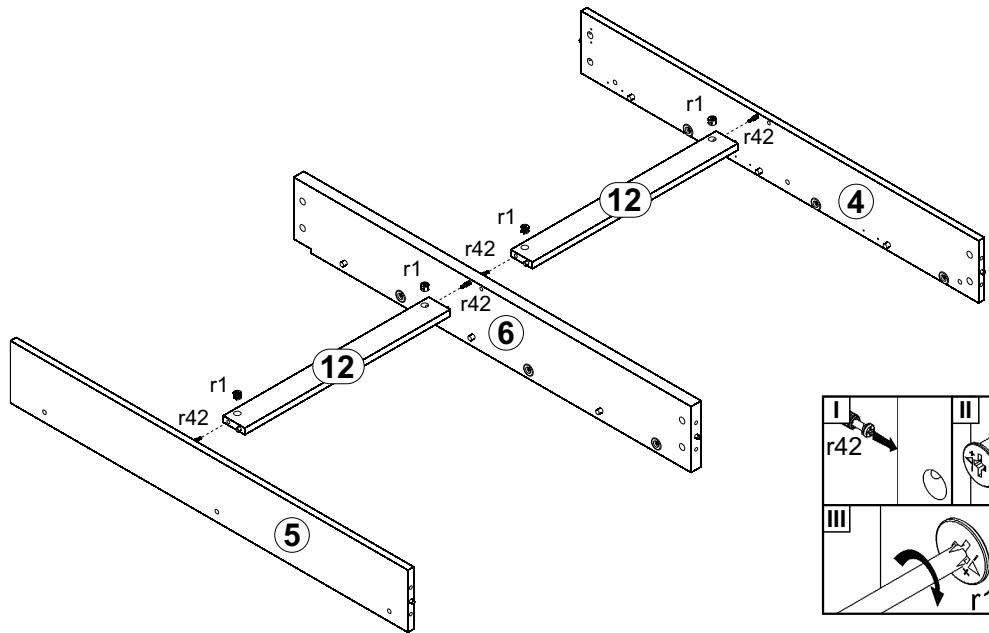
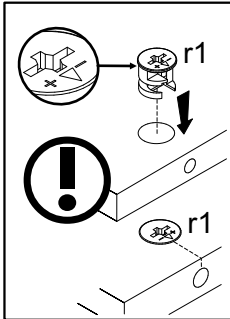


|                                |                              |                              |                           |                            |                              |                              |
|--------------------------------|------------------------------|------------------------------|---------------------------|----------------------------|------------------------------|------------------------------|
| 6x<br><br>c317                 | 48x<br><br>e2<br>φ6.3x13 mm  | 31x<br><br>f1<br>Ø8x30 mm    | 12x<br><br>f15            | 2x<br><br>f35<br>φ10x50 mm | 12x<br><br>j30<br>M4x22 mm   | 5x<br><br>k1                 |
| 55x<br><br>l1                  | 12x<br><br>m10               | 12x<br><br>m11               | 6x<br><br>n2              | 6x<br><br>n3               | 2x<br><br>n122/1             | 12x<br><br>p27<br>φ3,5x13 mm |
| 6x<br><br>m18 <sup>t</sup>     | 6x<br><br>m18 <sup>p</sup>   | 48x<br><br>p15<br>Ø2,5x13 mm | 4x<br><br>p21<br>Ø4x30 mm | 2x<br><br>p75<br>φ6x60 mm  | 12x<br><br>p79<br>Ø3,5x20 mm | 4x<br><br>p94<br>φ4x28 mm    |
| 28x<br><br>r1<br>Ø15x12 mm #16 | 4x<br><br>r9<br>φ15x19mm #28 | 2x<br><br>r10                | 28x<br><br>r42<br>20/11   | 10x<br><br>s2<br>Ø16       | 12x<br><br>p100<br>Ø3x10 mm  |                              |

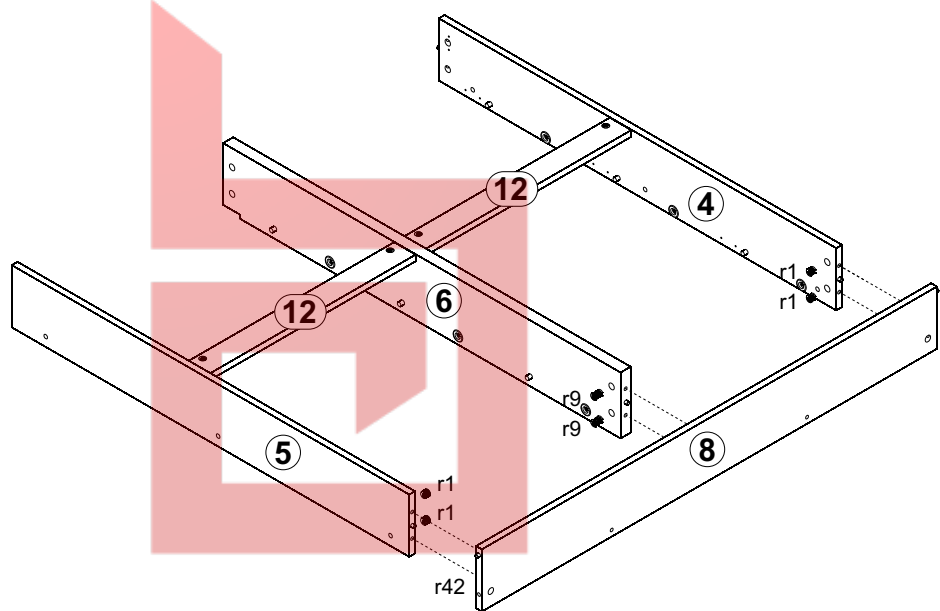
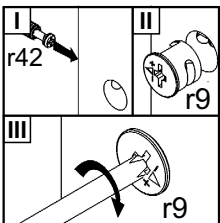
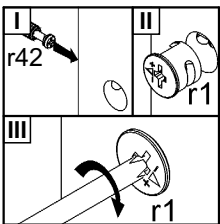
1



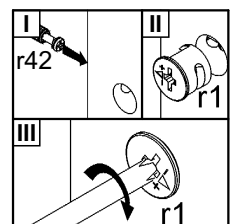
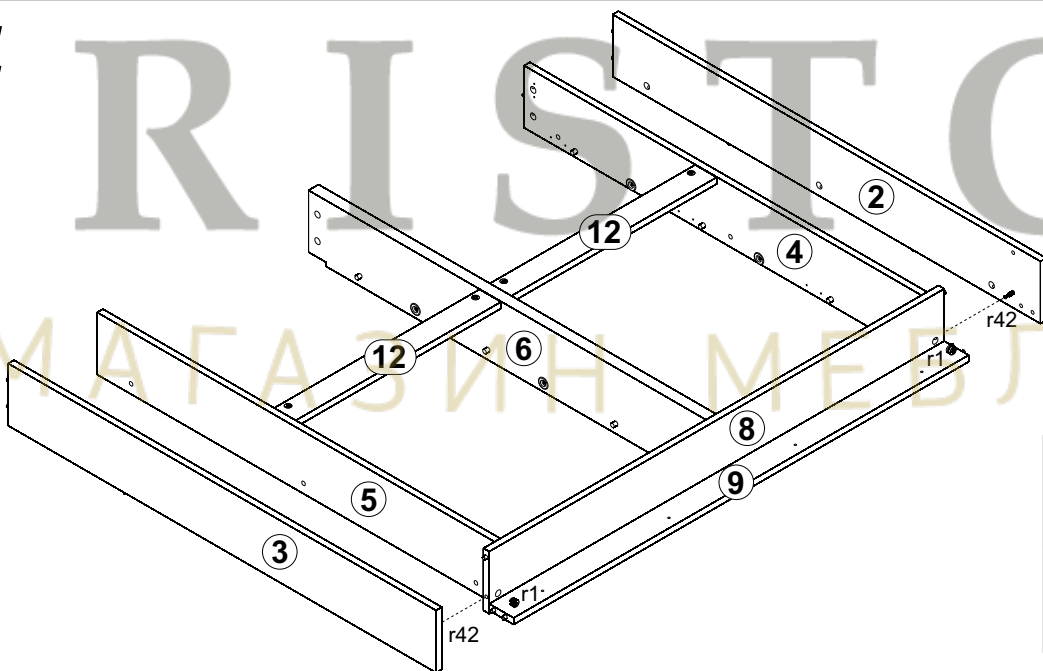
2 



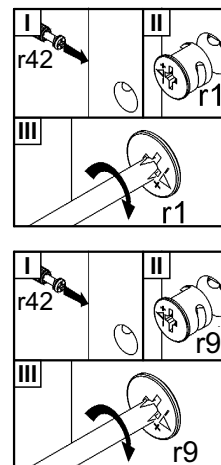
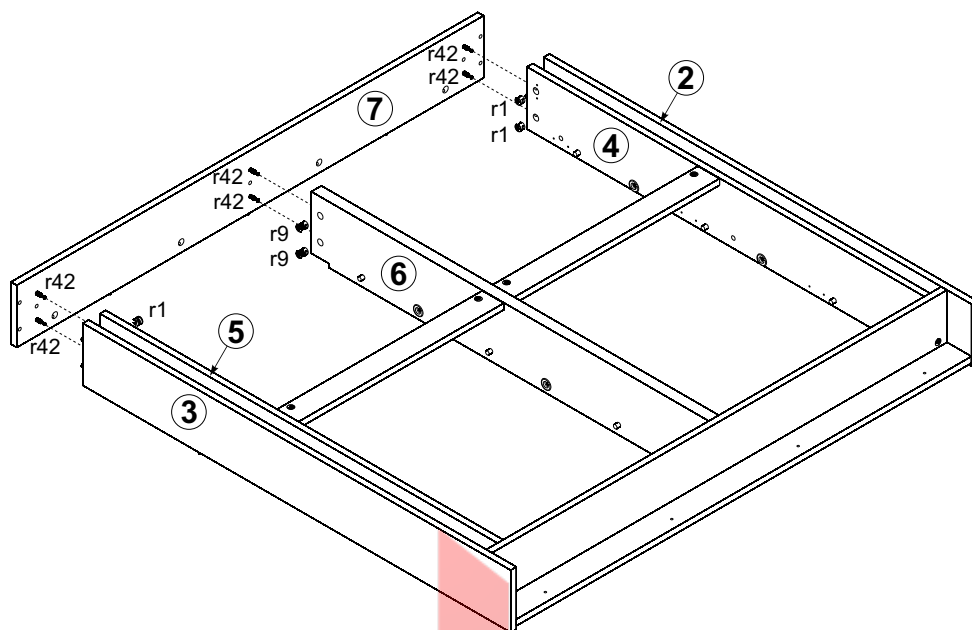
3



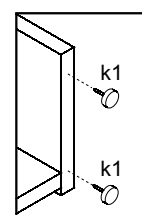
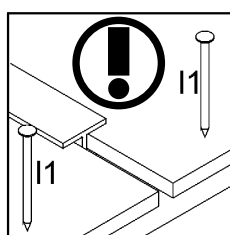
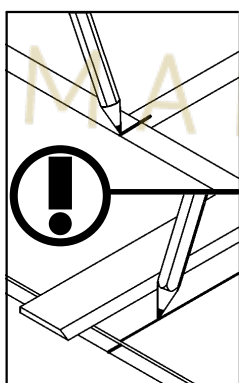
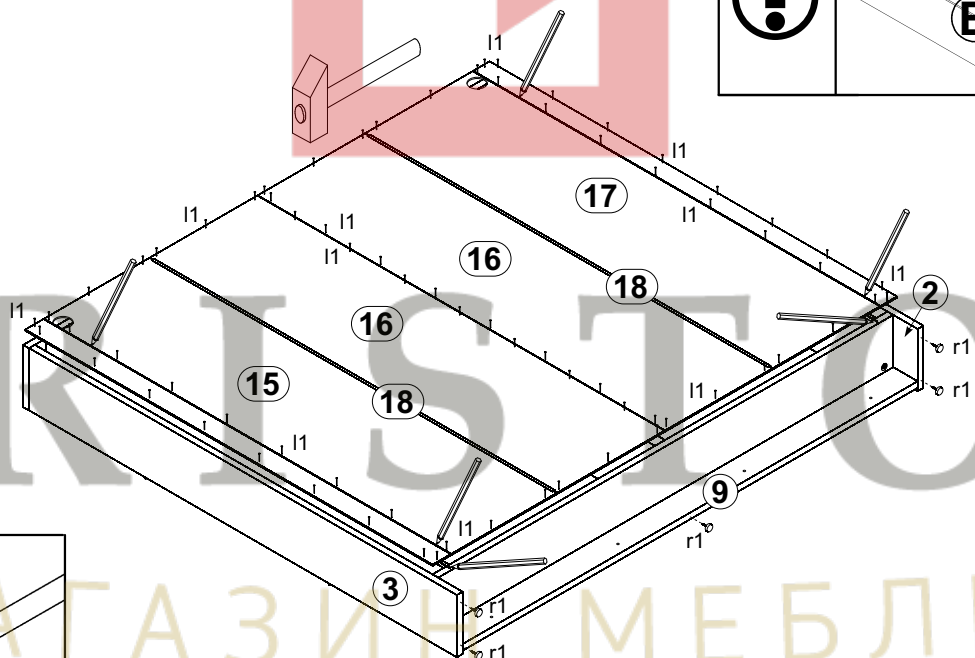
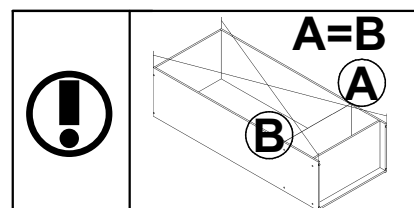
4



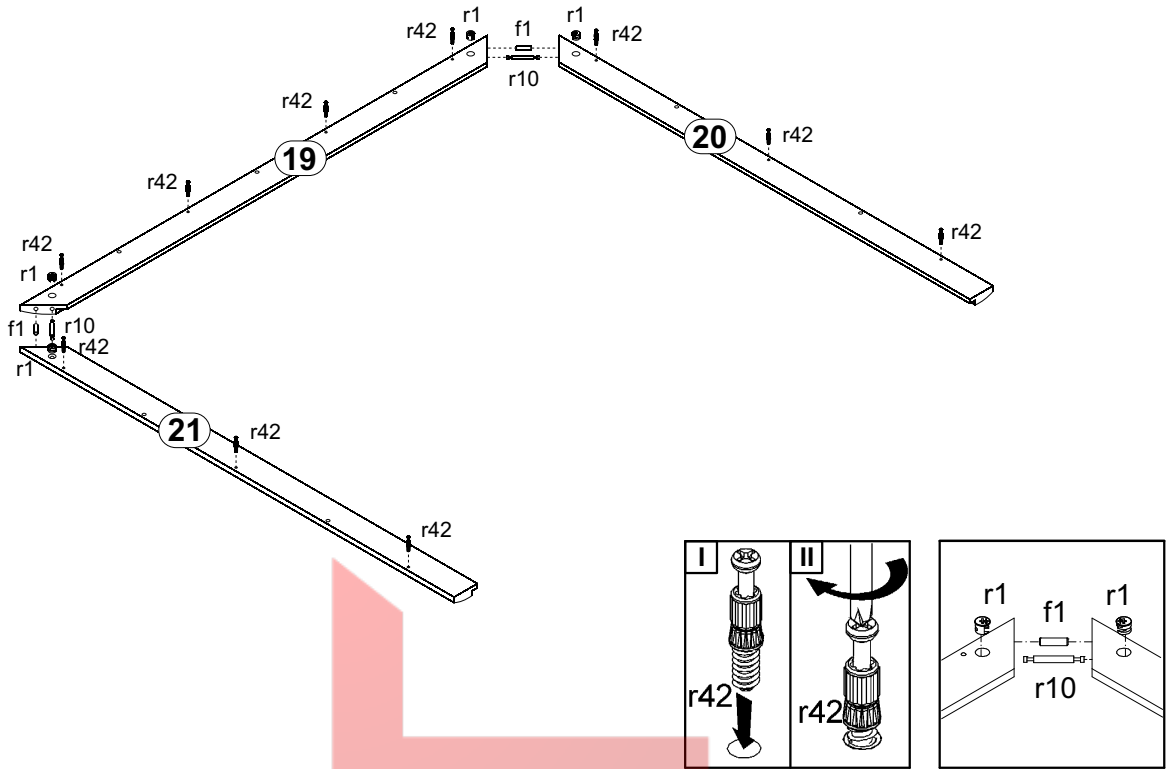
# 5



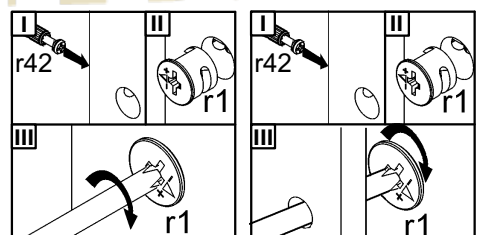
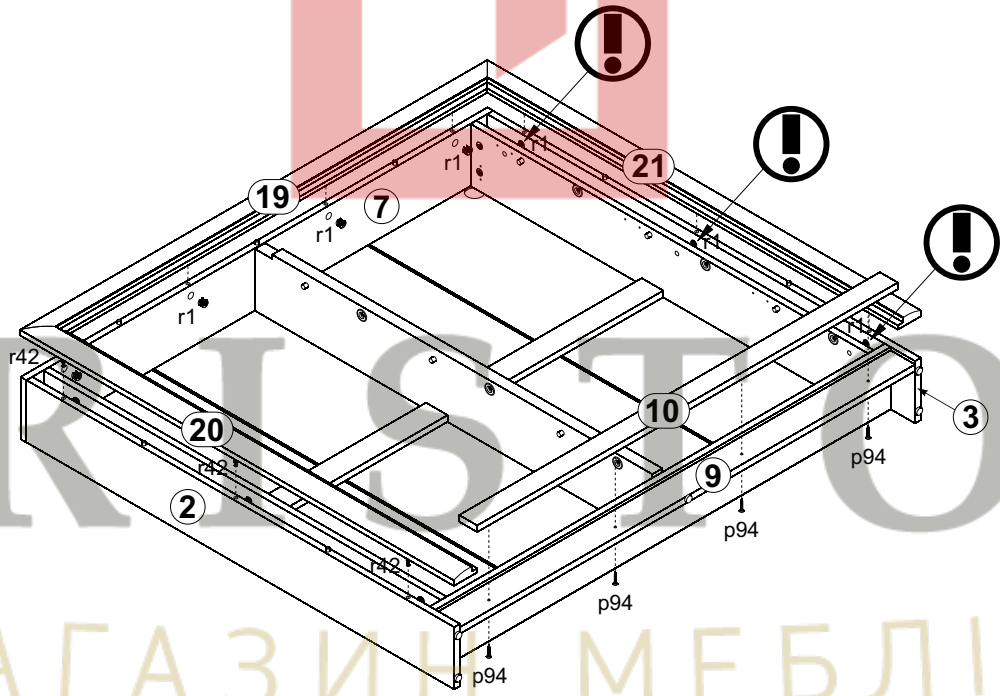
# 6



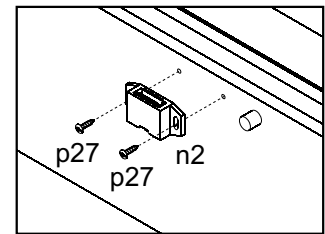
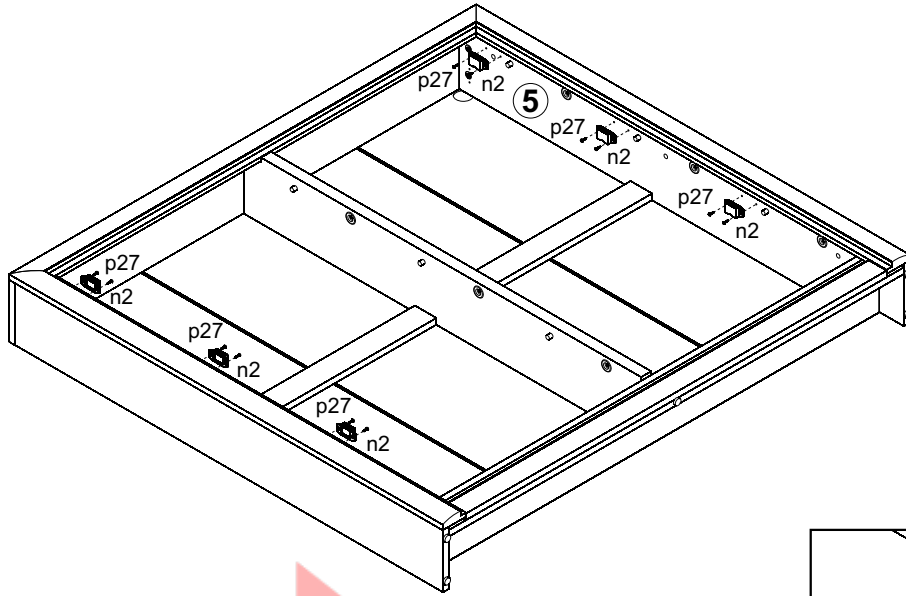
# 7



# 8



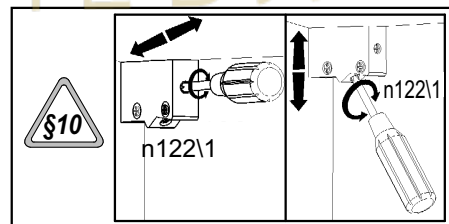
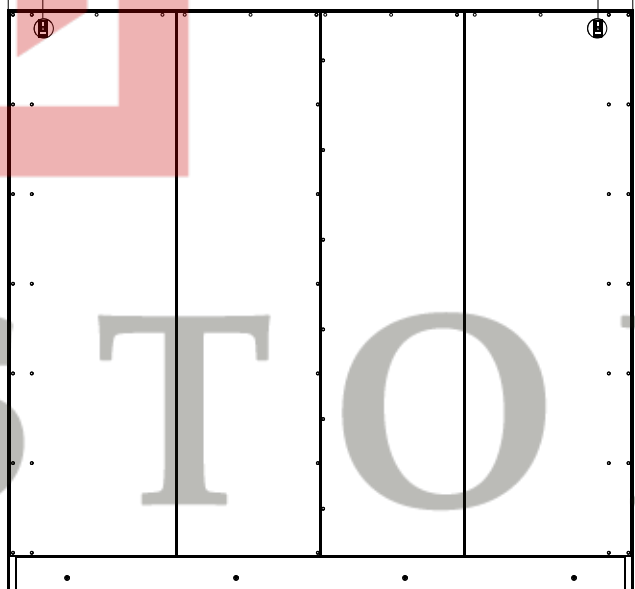
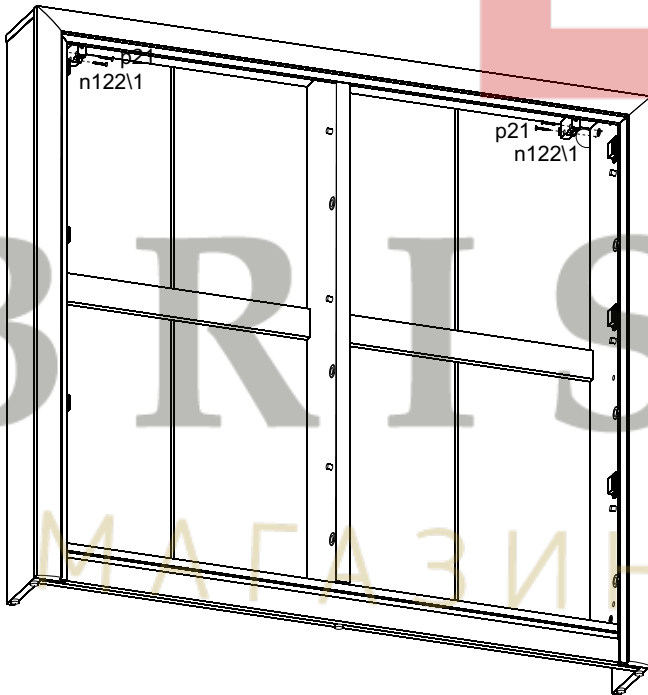
9



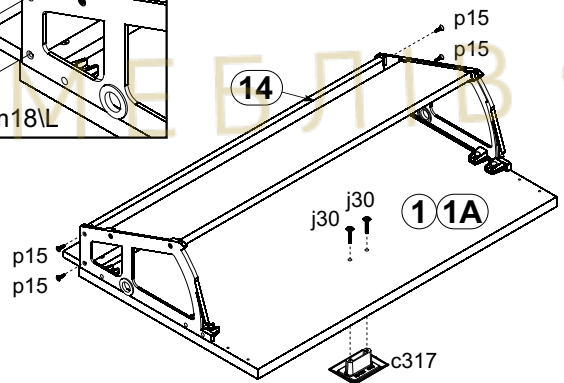
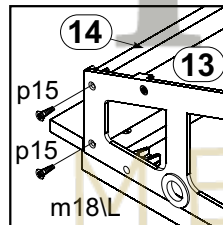
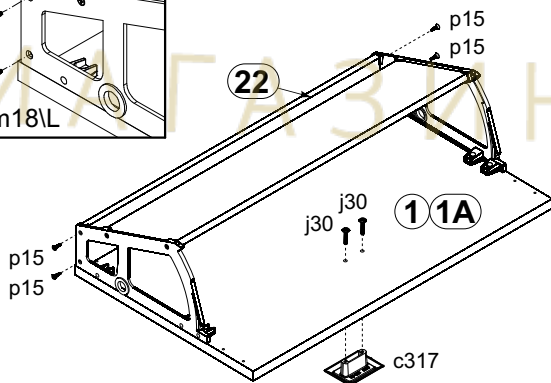
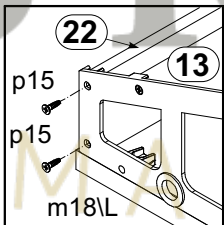
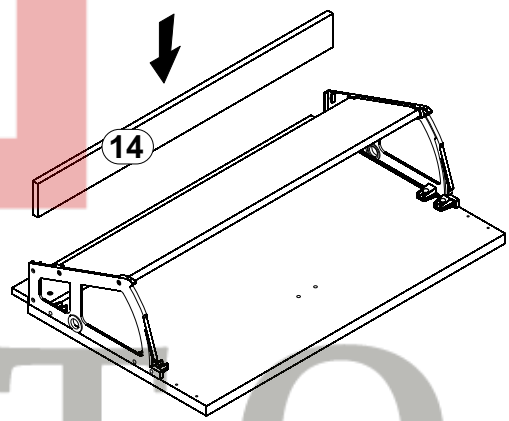
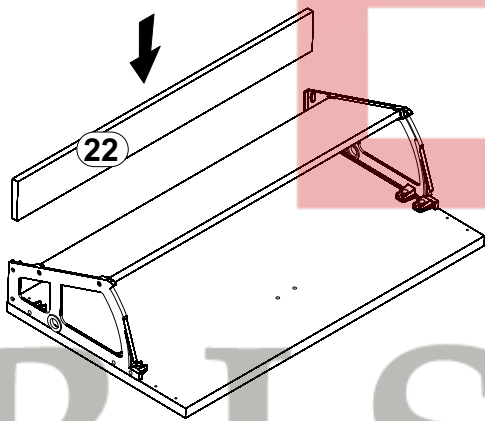
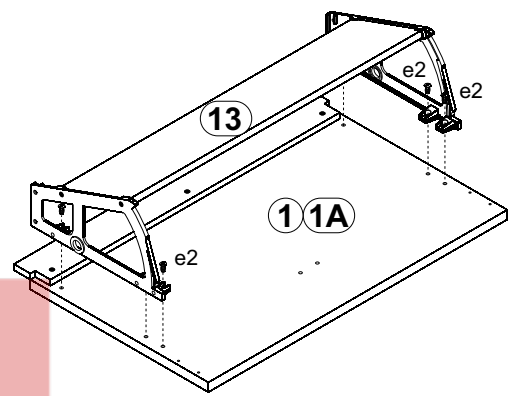
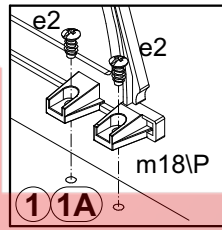
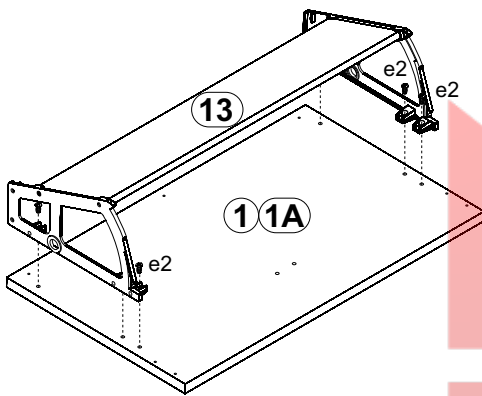
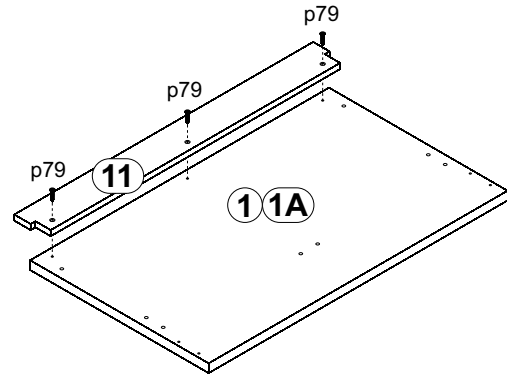
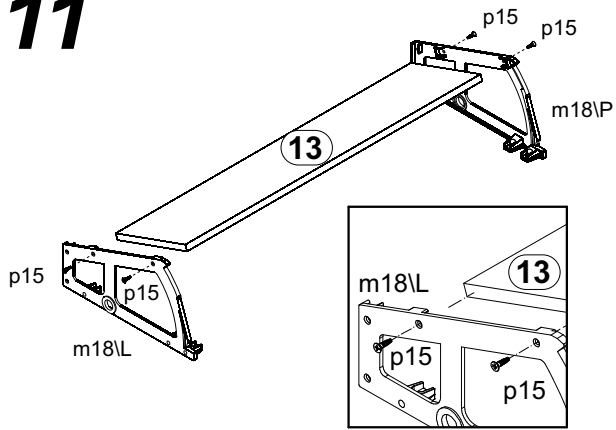
10



93 536 mm 93



# 11



12

