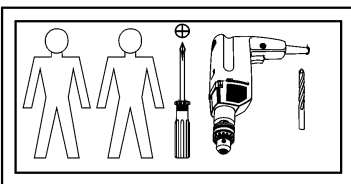
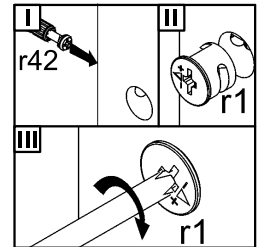
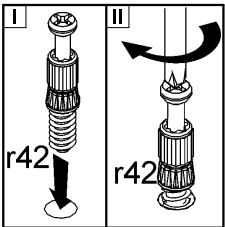
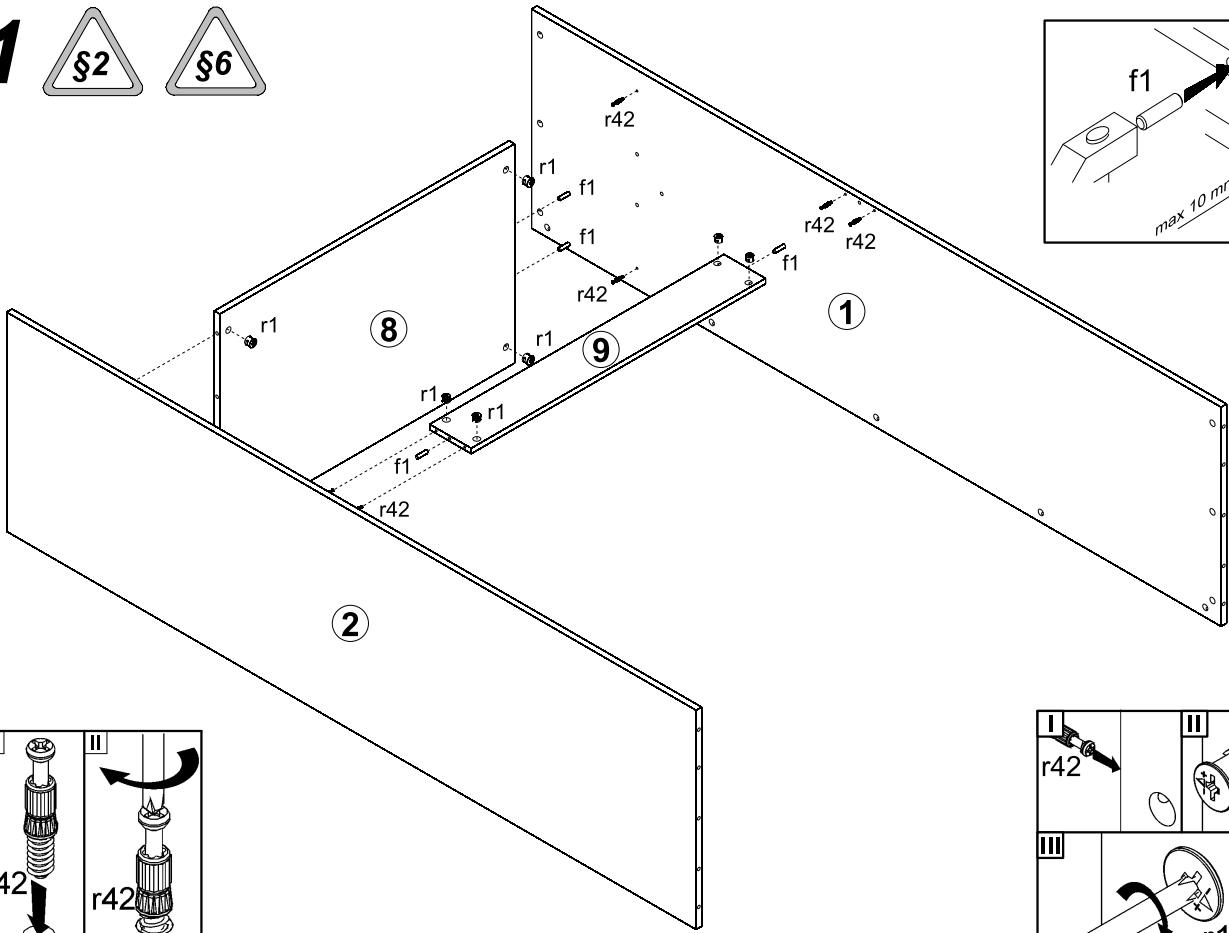


A	B	C		D
1	NT1-129	2012	554	1/5
2	NT1-106	2012	554	1/5
3	NT1-505	2012	68	1/5
4	NT1-901	2046	566	1/5
5	LH-2011	2011	14	1/5
6	NT1-205	1180	588	2/5
7	NT1-206	1145	576	2/5
8	NT1-305	1111	554	2/5
9	NT1-408	1111	170	2/5
10	DR-1106	1106	24	2/5
11	NT1-503	631	102	3/5
12	NT1-504	631	102	3/5
13	NT1-507	1259	102	3/5
14	NT1-583	594	260	4/5
15	NT1-584	594	260	4/5
16	NT1-001	2006	500	5/5

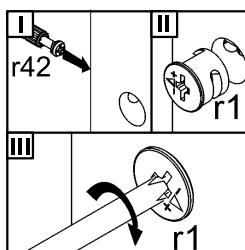
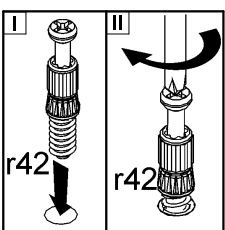
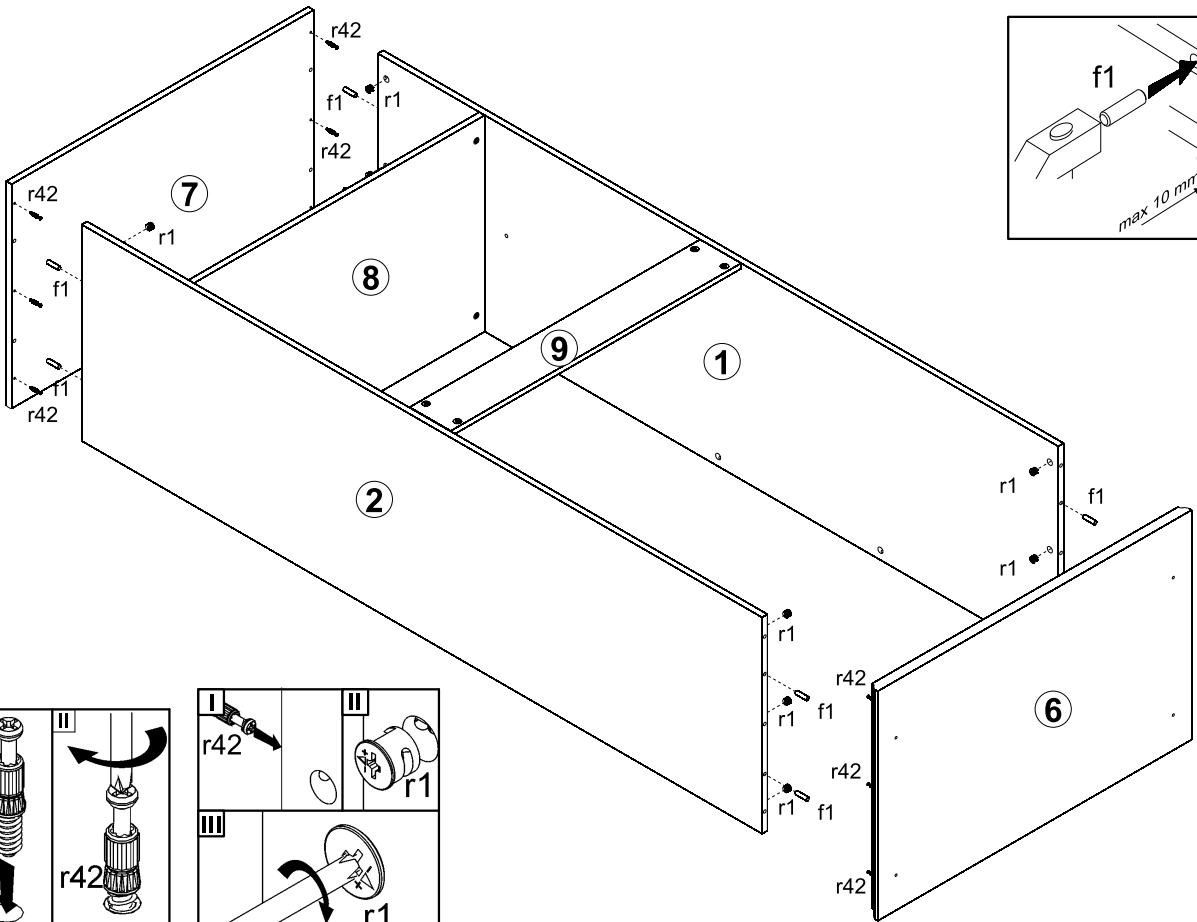


8x a99	8x b43	2x c409	16x φ6,3x13 mm e2	4x ∅7x28mm e22	22x φ8x30 mm f1	2x M4x30 mm j6	6x k1	65x l1
2x n1	1x n26'	2x n40	8x 42x22 mm n900	2x ∅3,5x13 mm p1	16x φ3,5x13 mm p5	7x φ3,5x16 mm p38	7x ∅4x20 mm p39	4x ∅3x7 mm p46
16x φ3,5x15 mm p51	30x φ15x12mm #16 r1	30x 20/11 r42	26x ∅16 s2	1x z1				

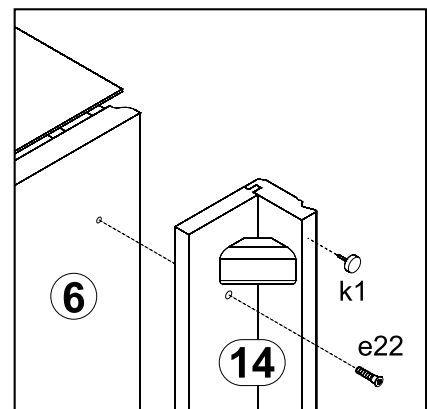
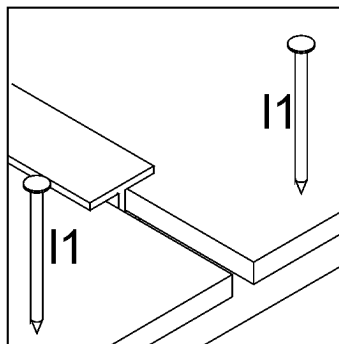
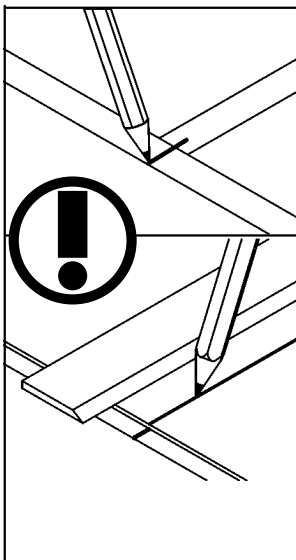
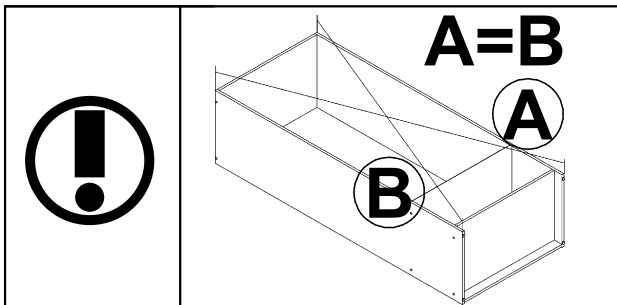
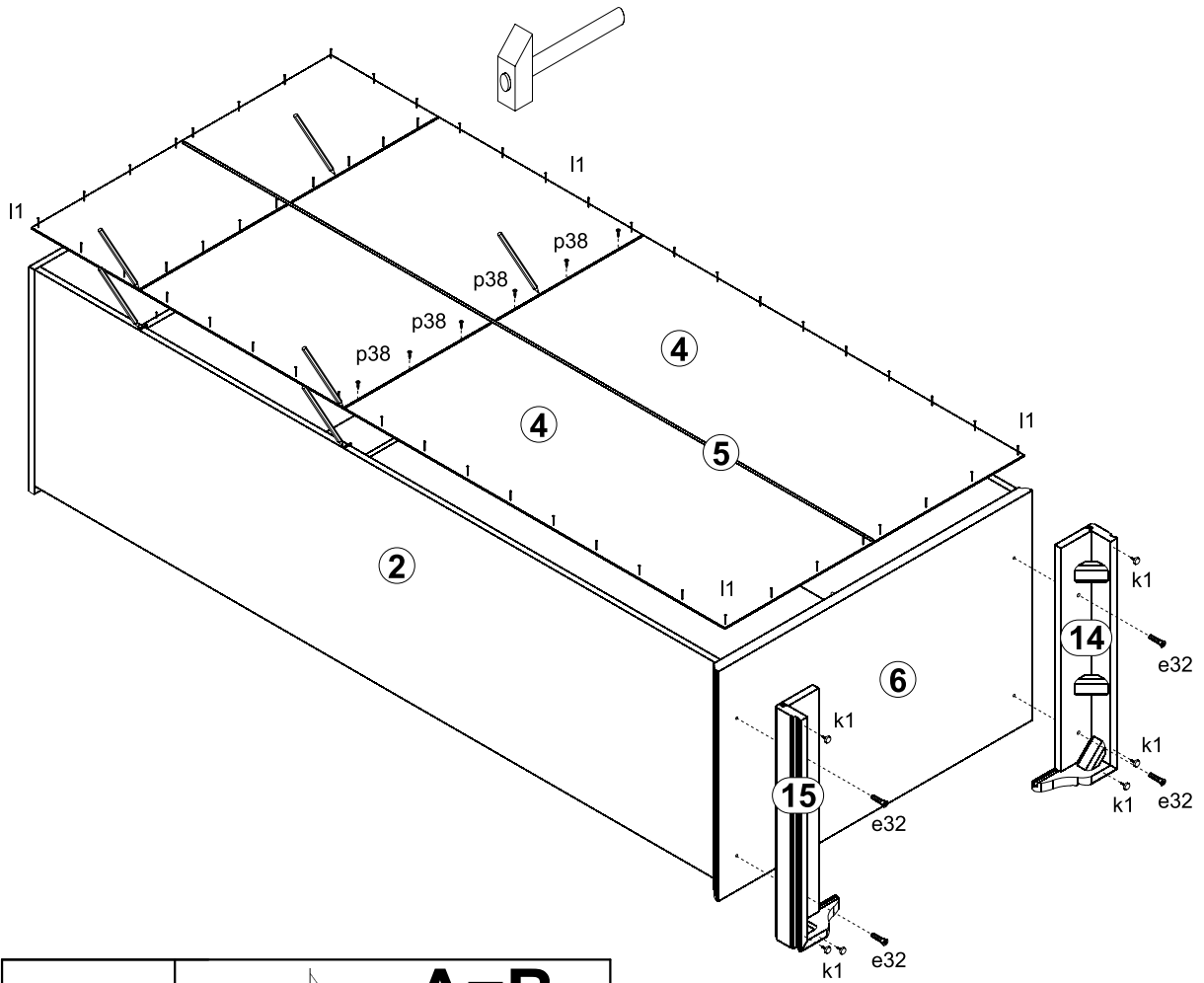
1



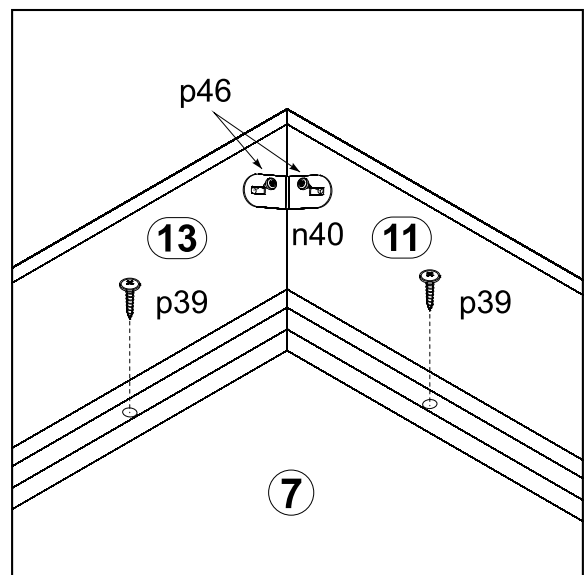
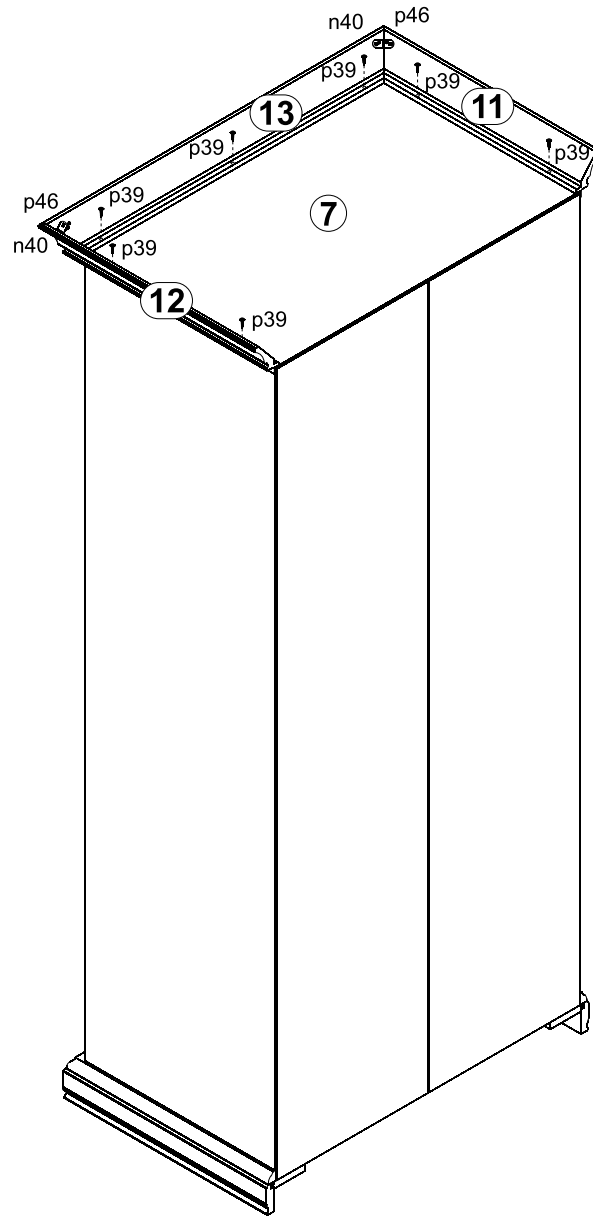
2



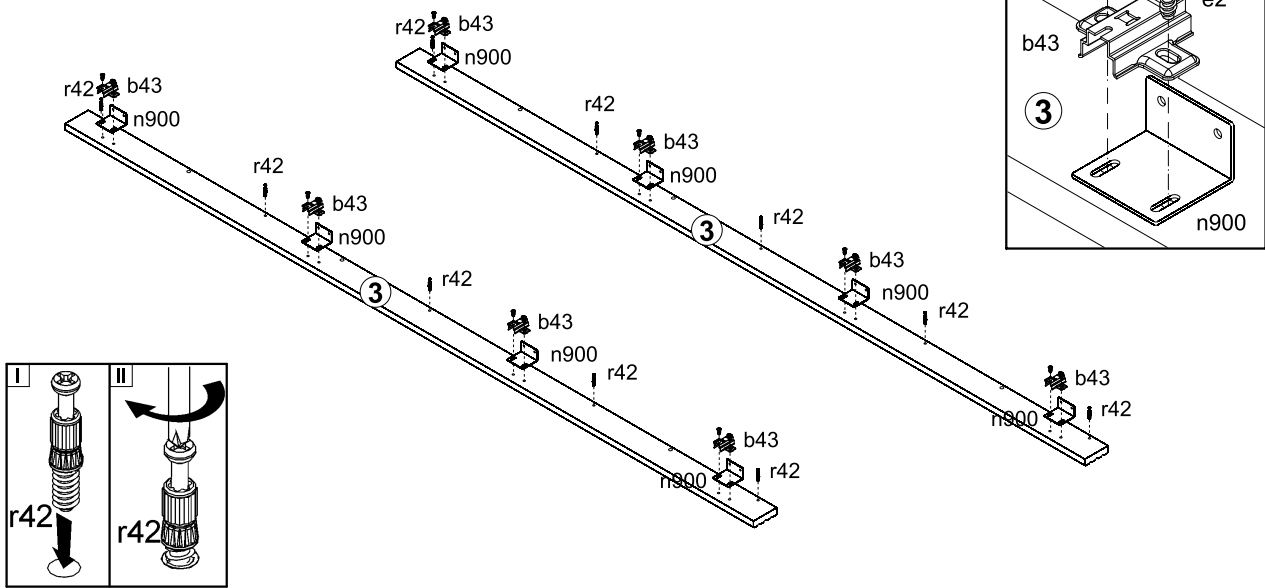
3



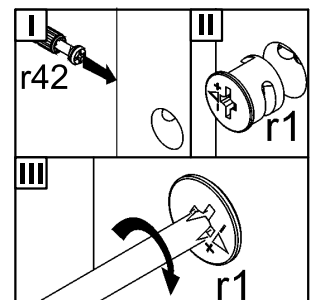
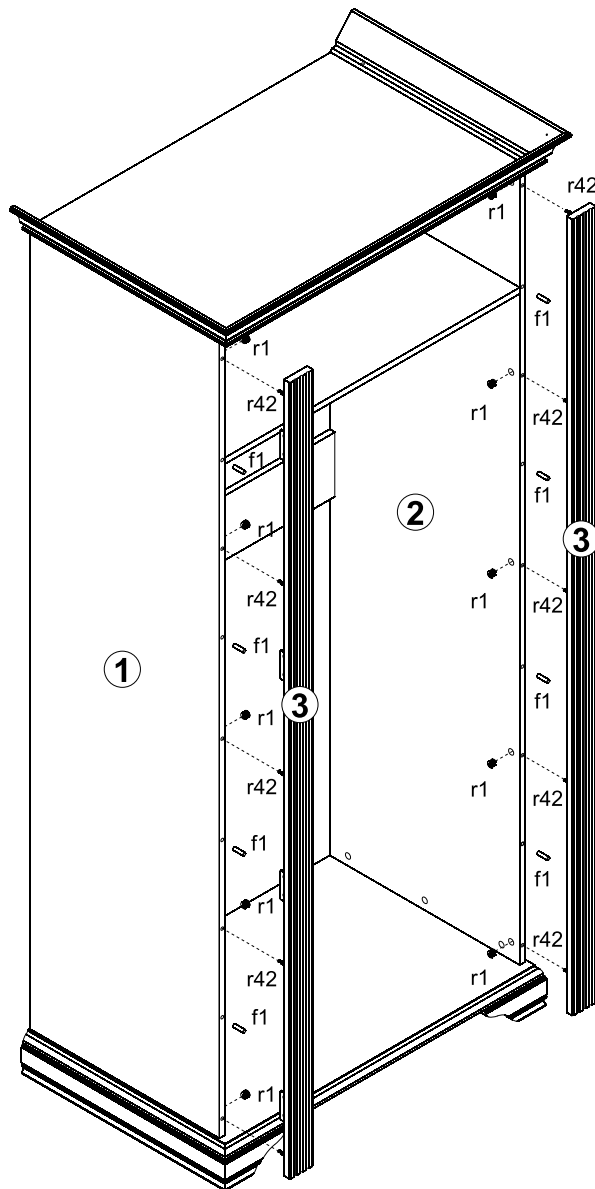
4



5



6



7

