

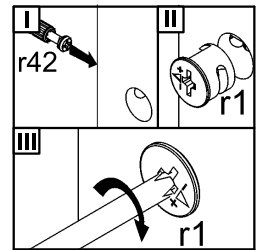
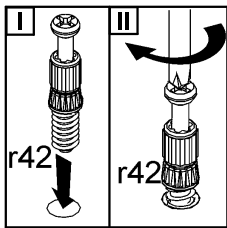
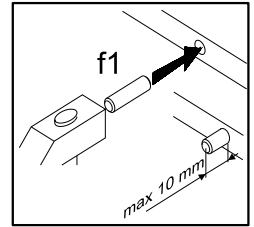
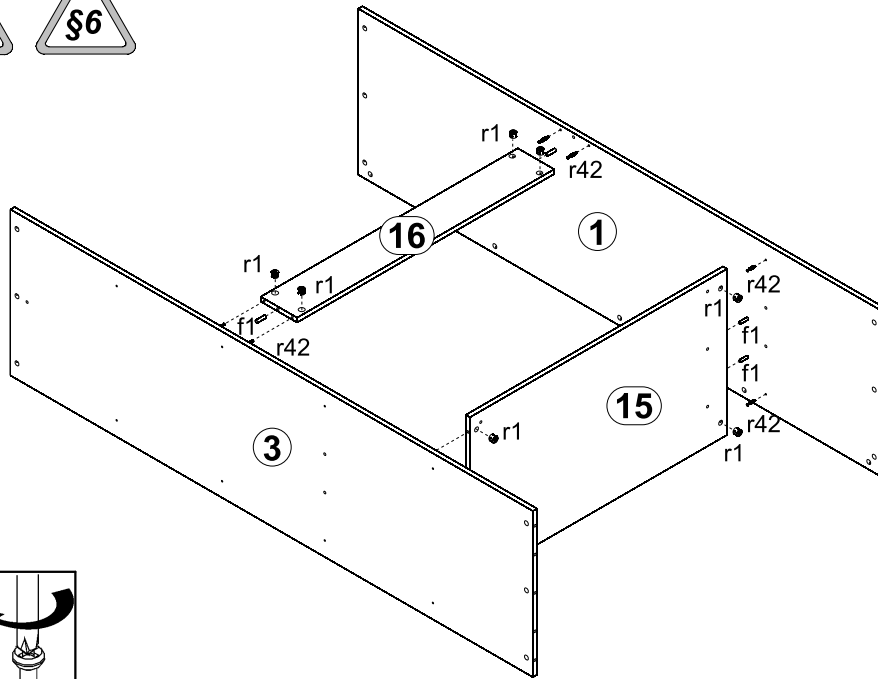
A	B	C		D
1	NT1-105	2012	554	1/6
2	NT1-102	2012	554	1/6
3	NT1-104	2012	554	1/6
4	NT1-505	2012	68	1/6
5	NT1-901	2046	566	1/6
6	NT1-902	2046	501	1/6
7	LH-2011	2011	14	1/6
8	NT1-203	1682	588	2/6
9	NT1-204	1647	576	2/6
10	NT1-016	885	185	3/6
11	NT1-127	434	458	3/6

A	B	C		D
12	NT1-128	434	458	3/6
13	NT1-301	547	550	3/6
14	NT1-302	547	550	3/6
15	NT1-304	1050	554	3/6
16	NT1-407	1050	170	3/6
17	NT1-409	434	50	3/6
18	NT1-410	434	110	3/6
19	NT1-559	450	150	3/6
20	NT1-560	450	150	3/6
21	NT1-561	834	150	3/6
22	NT1-916	849	449	3/6

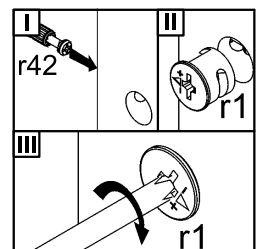
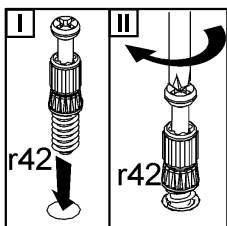
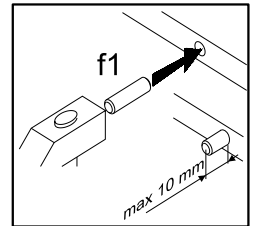
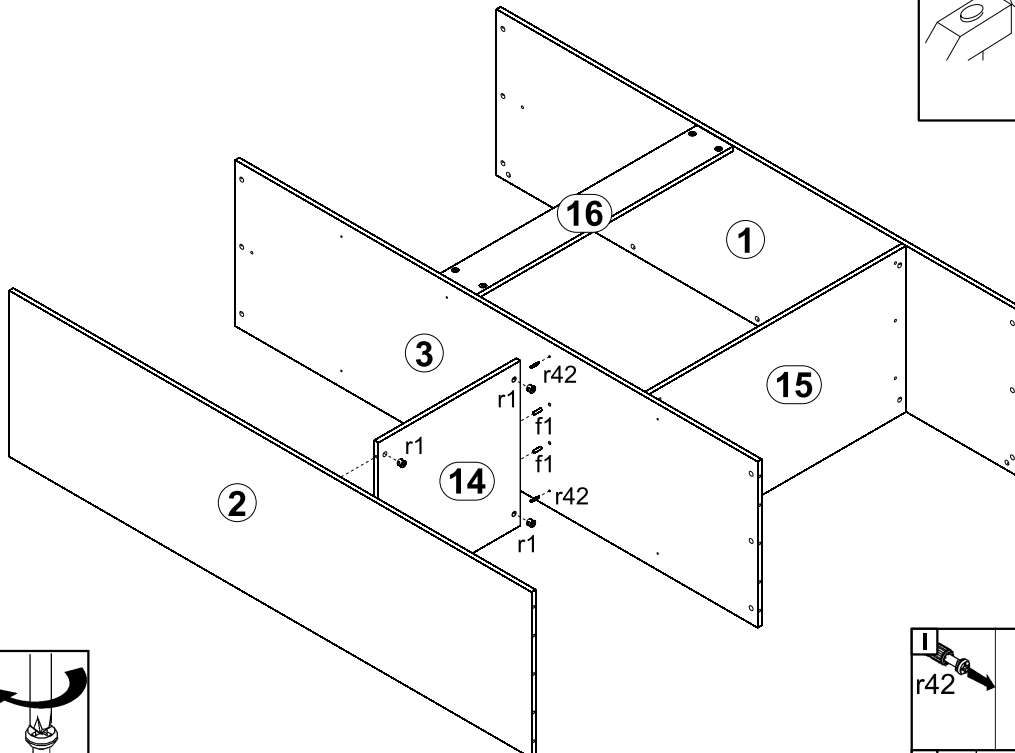
A	B	C		D
23	DR-1045	1045	24	3/6
24	DR-542	542	24	3/6
25	NT1-503	631	102	4/6
26	NT1-504	631	102	4/6
27	NT1-506	1761	102	4/6
28	NT1-577	594	350	5/6
29	NT1-578	594	350	5/6
30	NT1-590	80	50	5/6
31	NT1-001	2006	500	6/6
32	NT1-002	2006	500	6/6

4x a68	8x a99	4x b33	8x b43	3x c409	12x d1	16x e2	12x e3	1x e8
4x e22	8x e32	44x f1	3x j6	6x k1	120x l1	4x n1	1x n26	2x n40
8x n900	4x p1	16x p5	4x p25	7x p38	8x p39	4x p46	24x p51	8x p54
52x r1	52x r42	40x s2	2x t37	2x w24 ^{DR}	2x w24 ^{CR}	2x w24 ^{DL}	2x w24 ^{CL}	1x z1

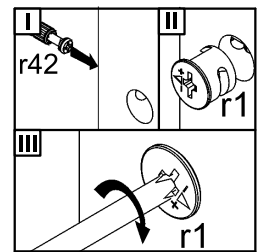
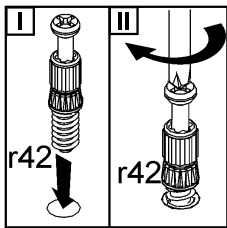
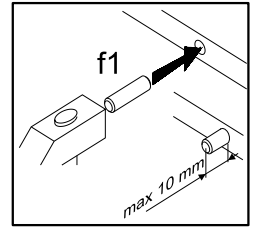
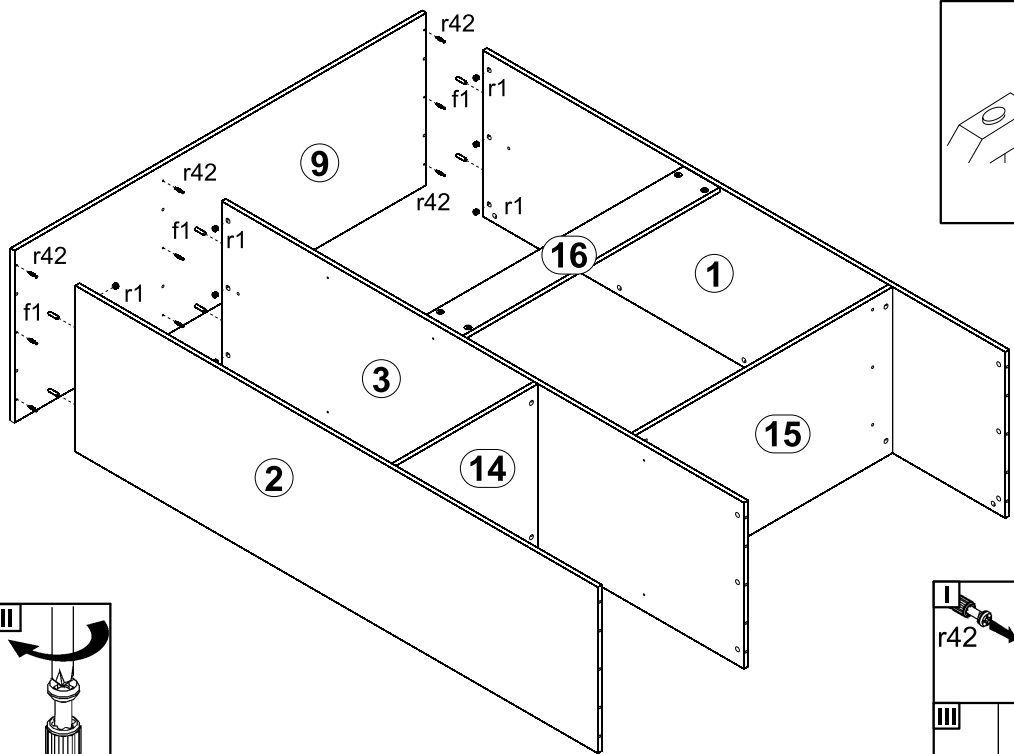
1



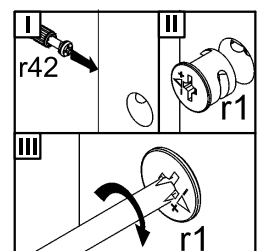
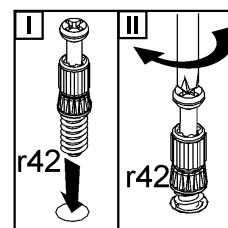
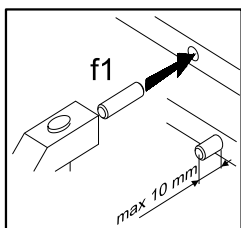
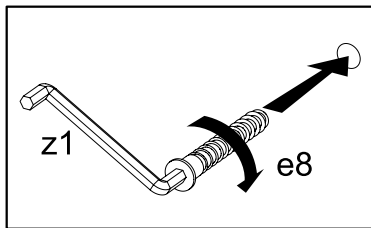
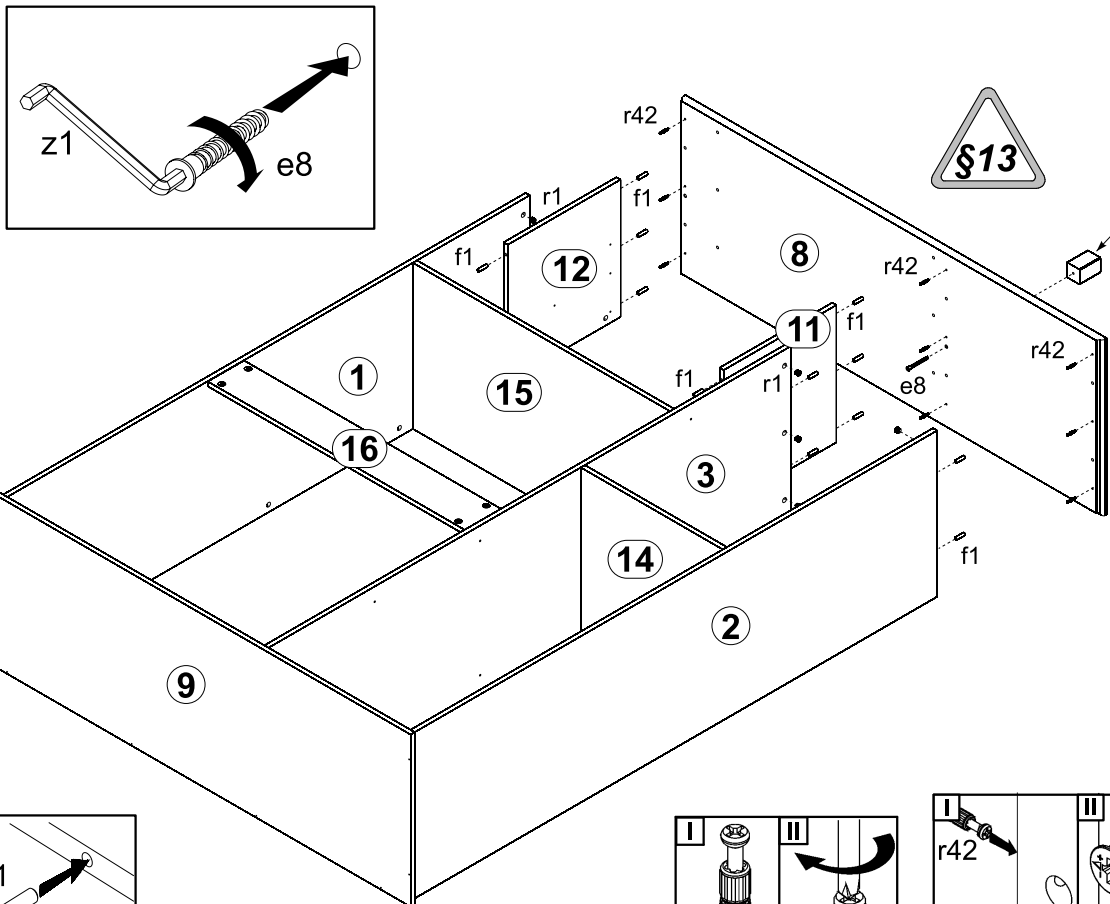
2

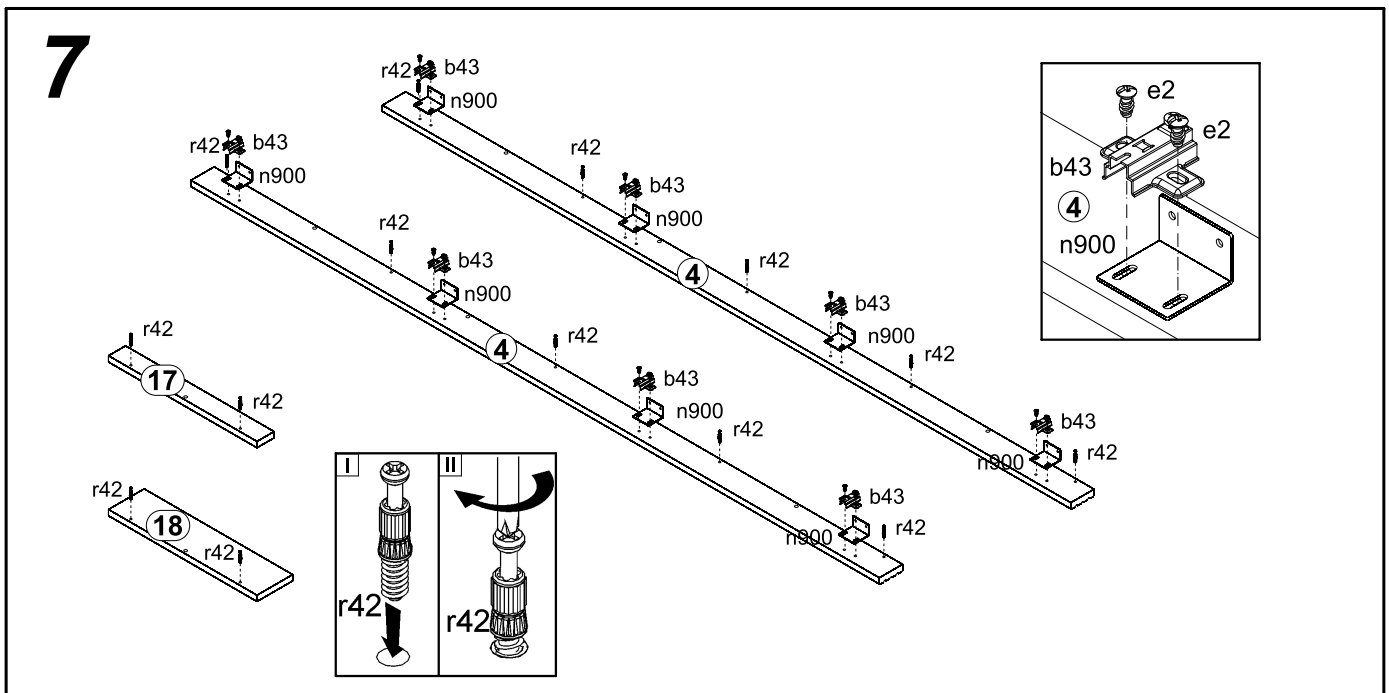
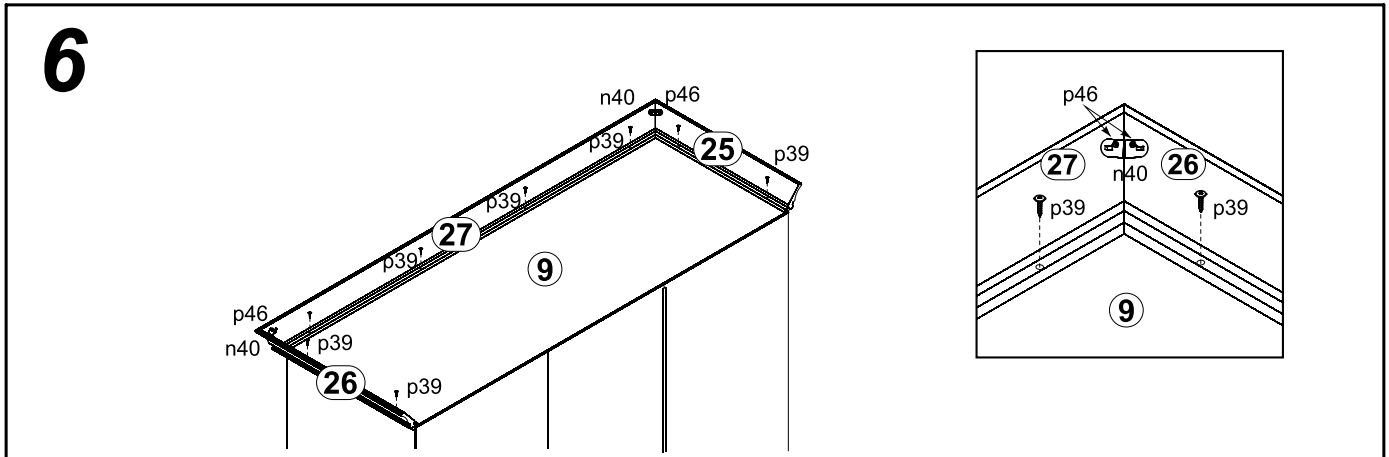
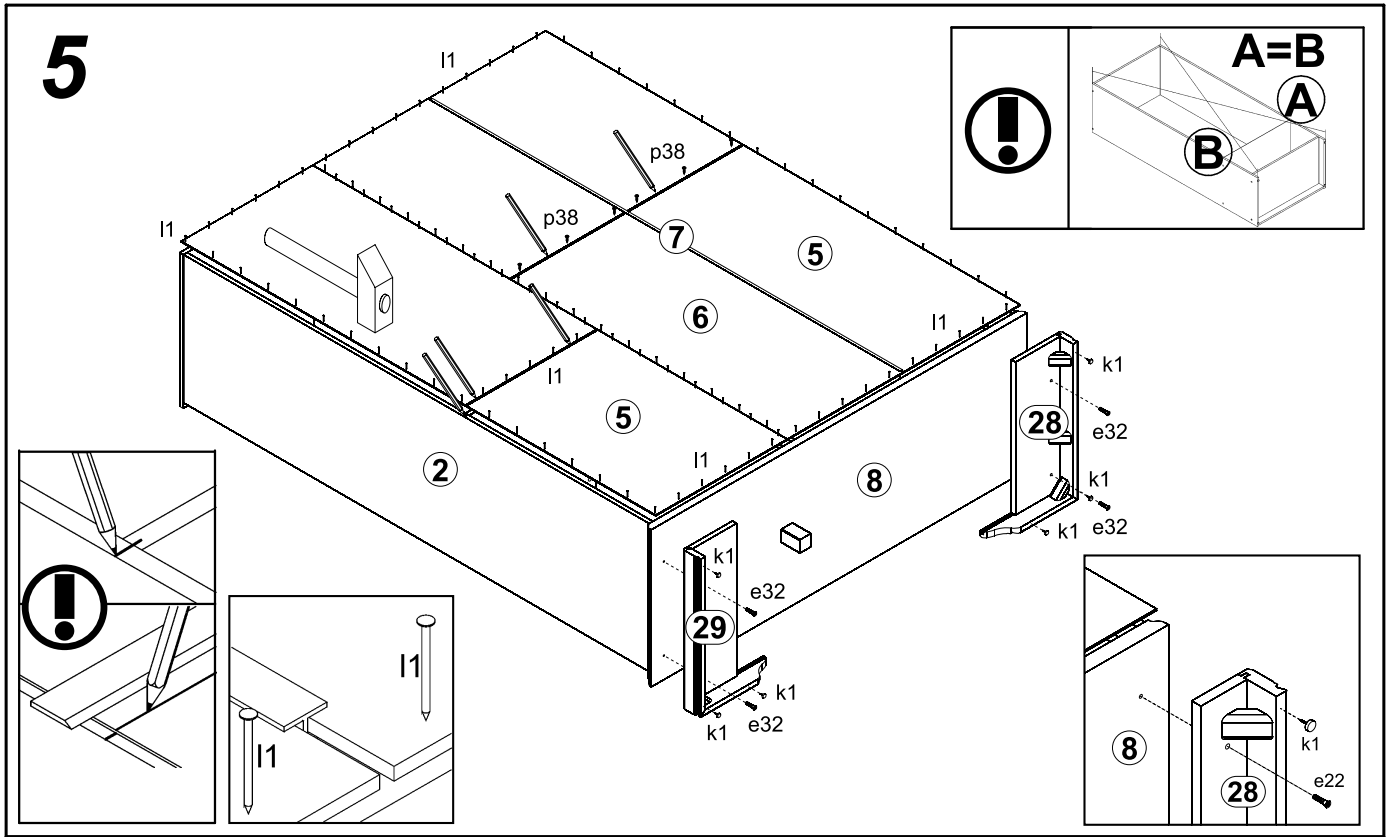


3

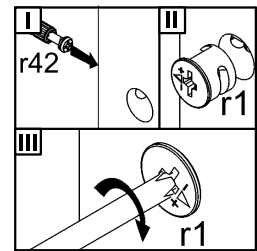
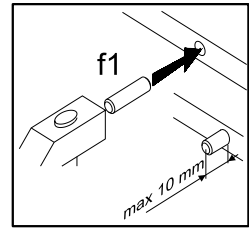
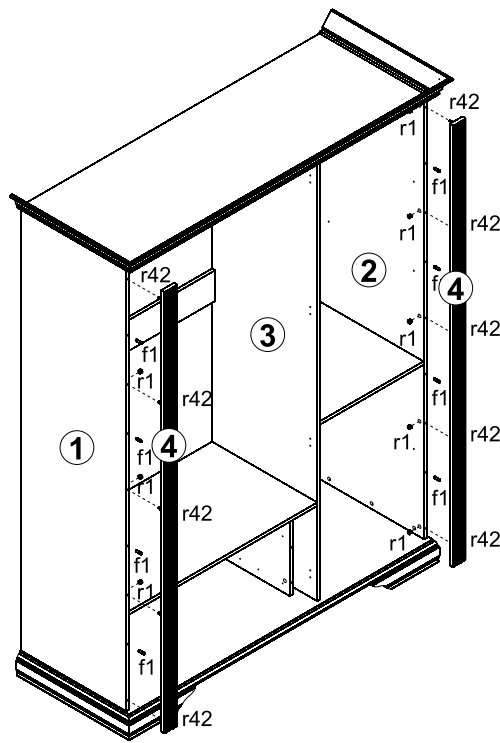


4

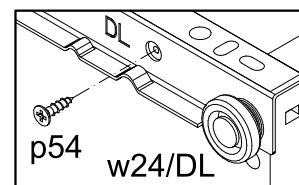
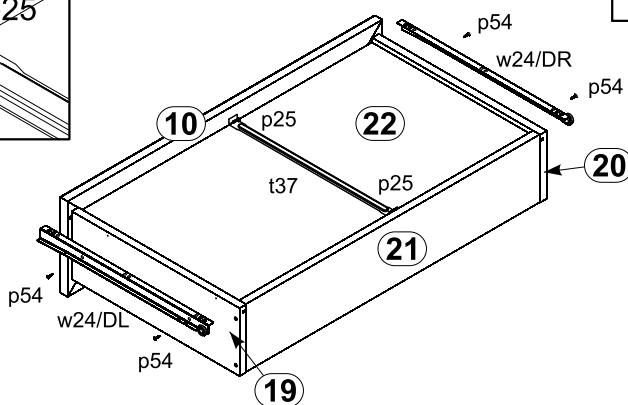
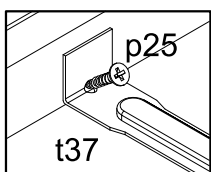
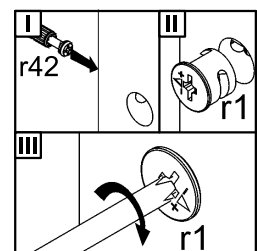
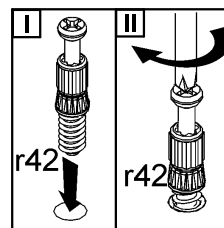
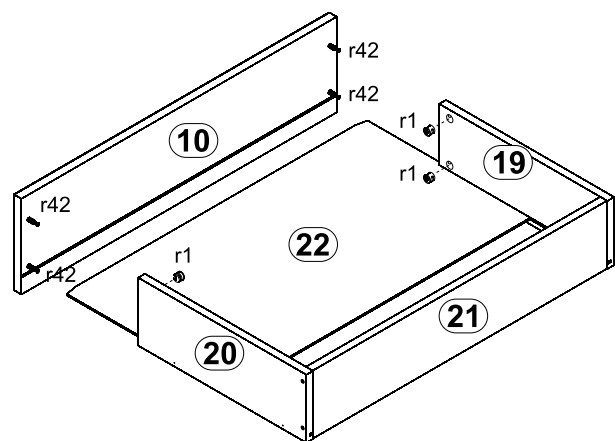
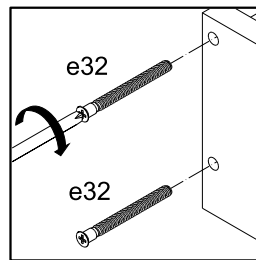
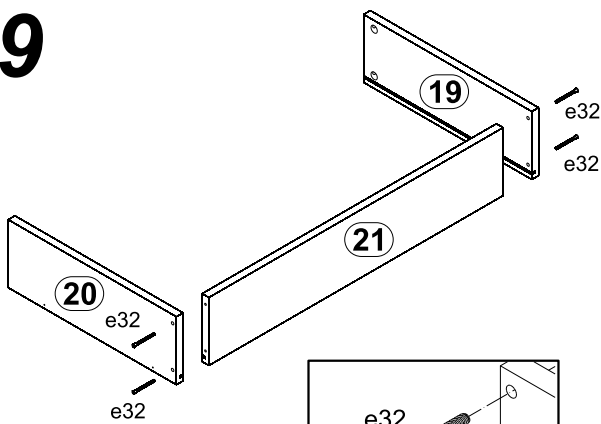




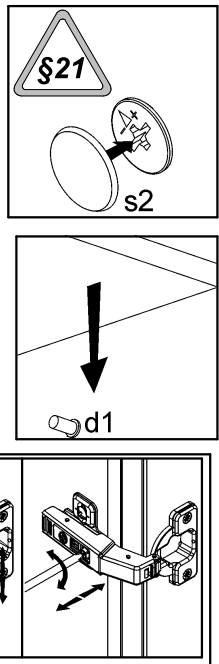
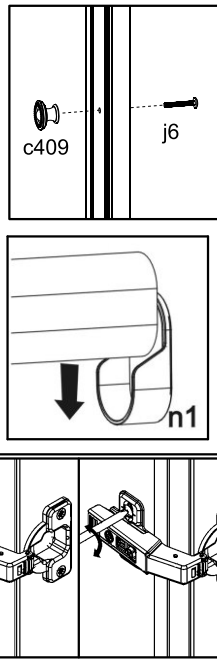
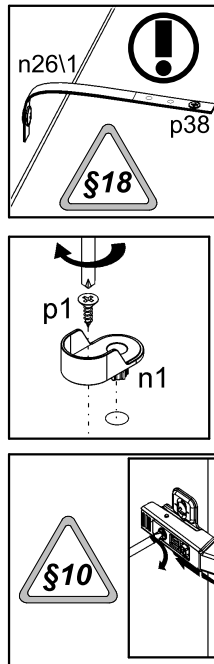
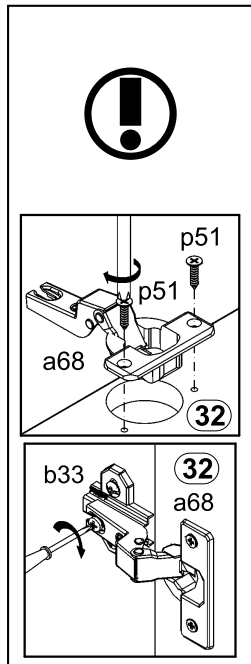
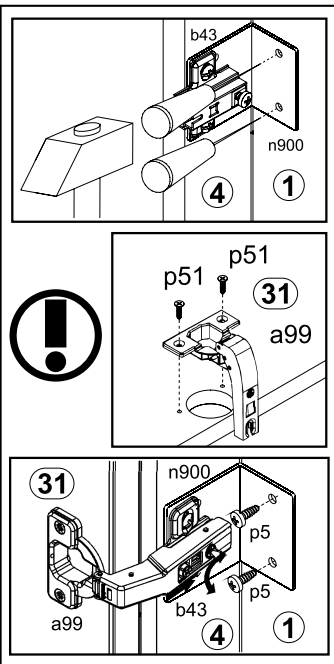
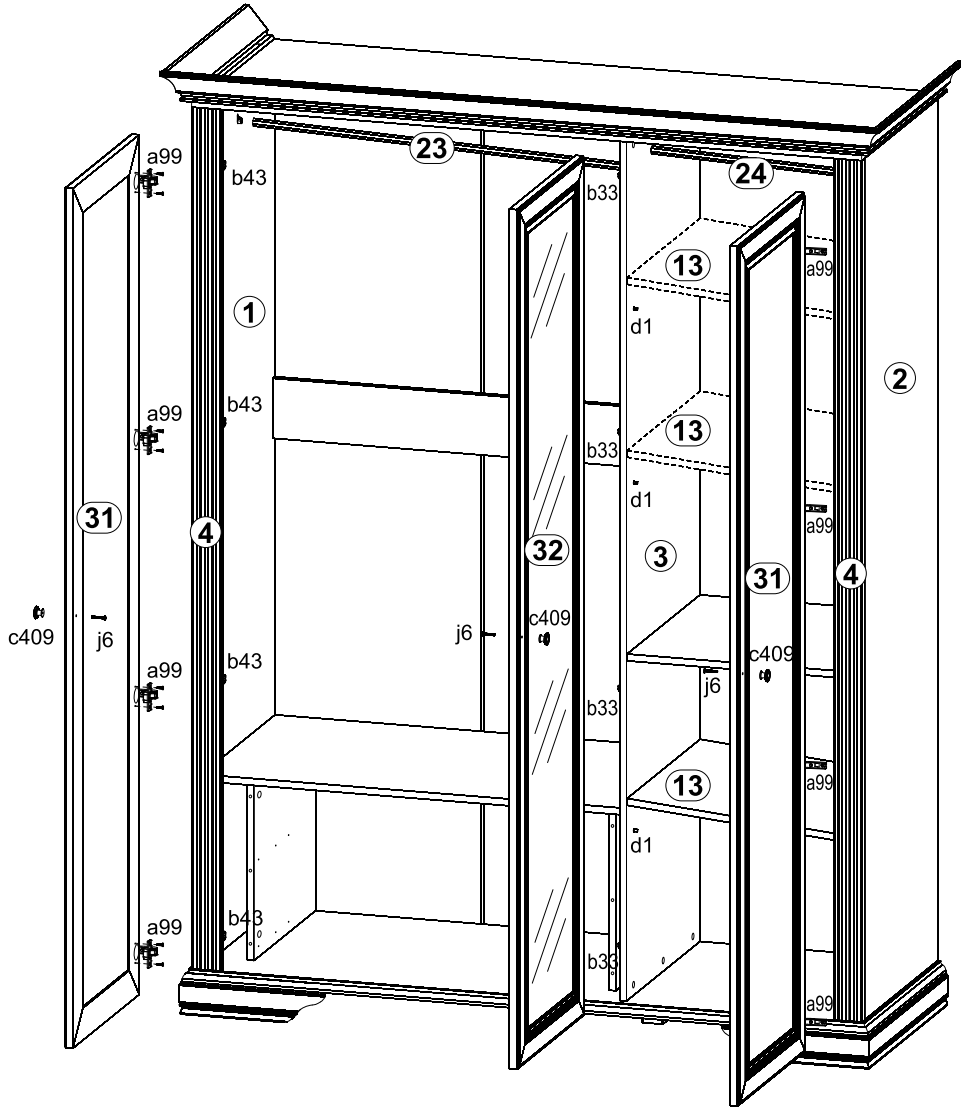
8



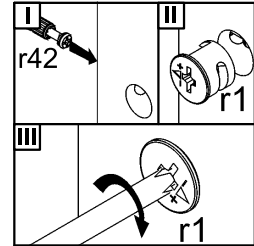
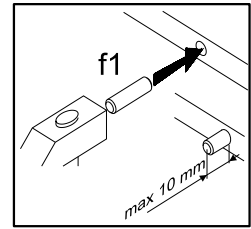
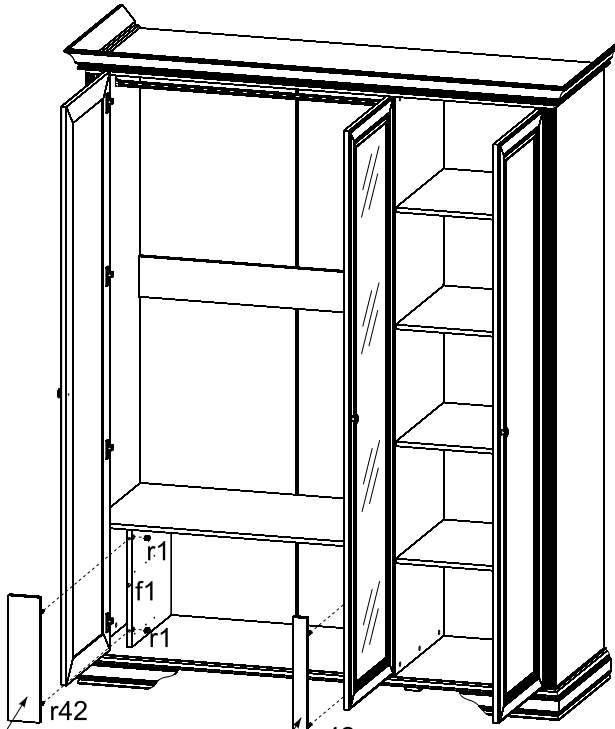
9



10



11



18

17

12

