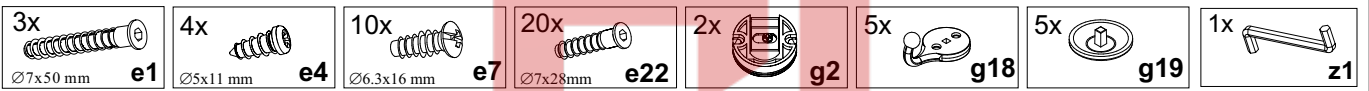
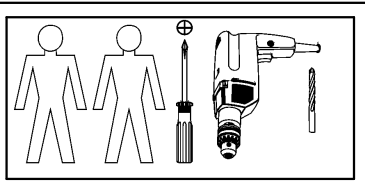
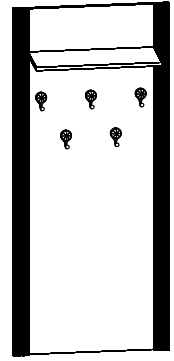
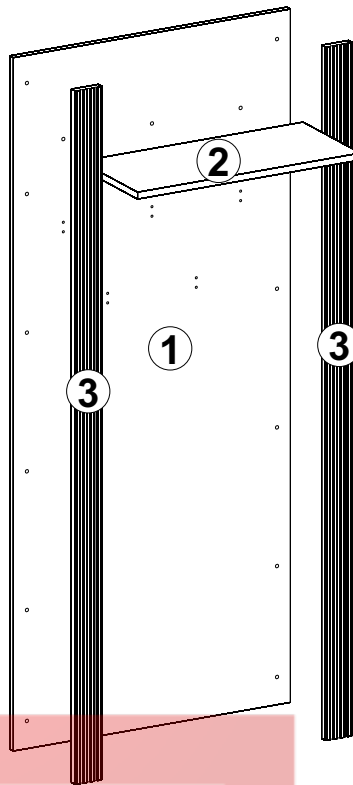
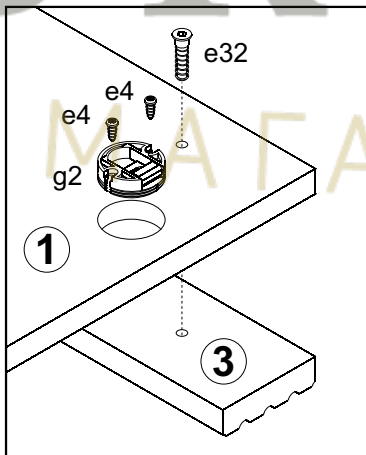
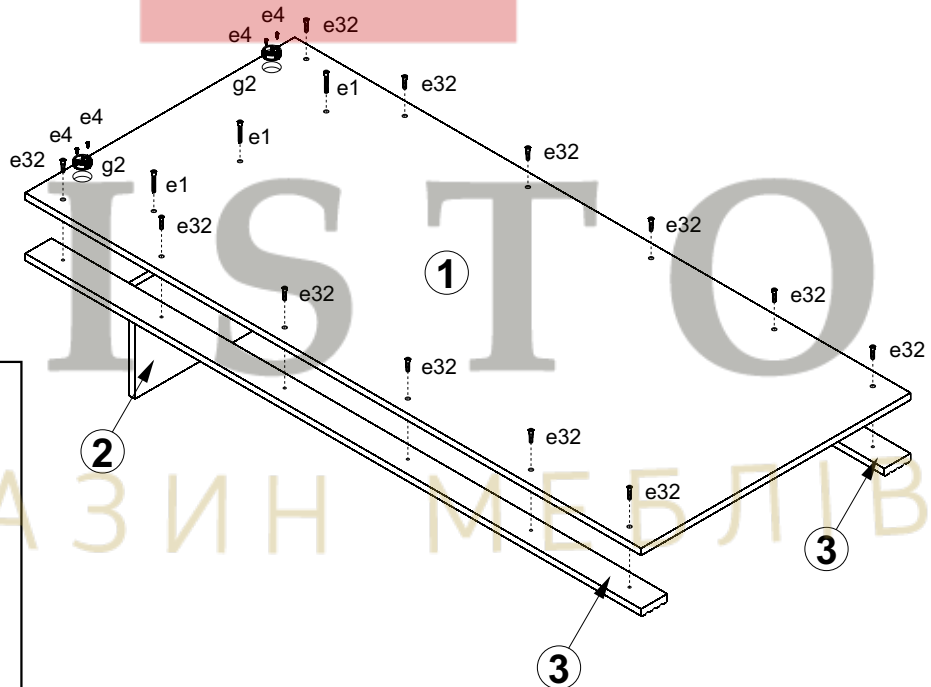




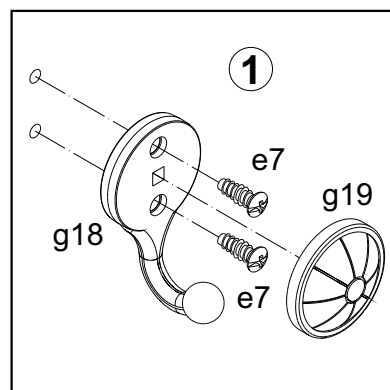
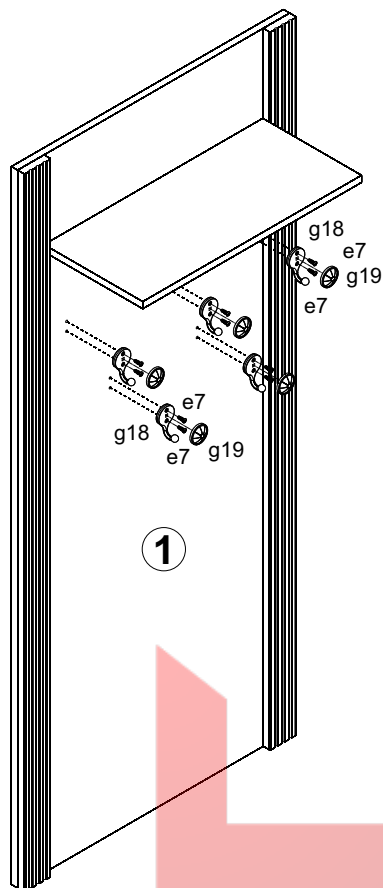
A	B	C		D
1	NT1-419	1600	700	1/2
2	NT1-318	563	254	1/2
3	NT1-562	1600	68	1/2



1



2



3

