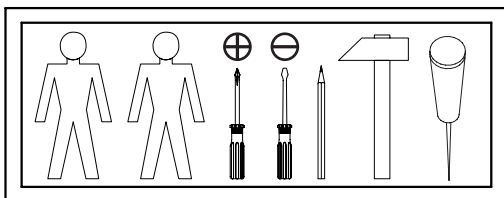
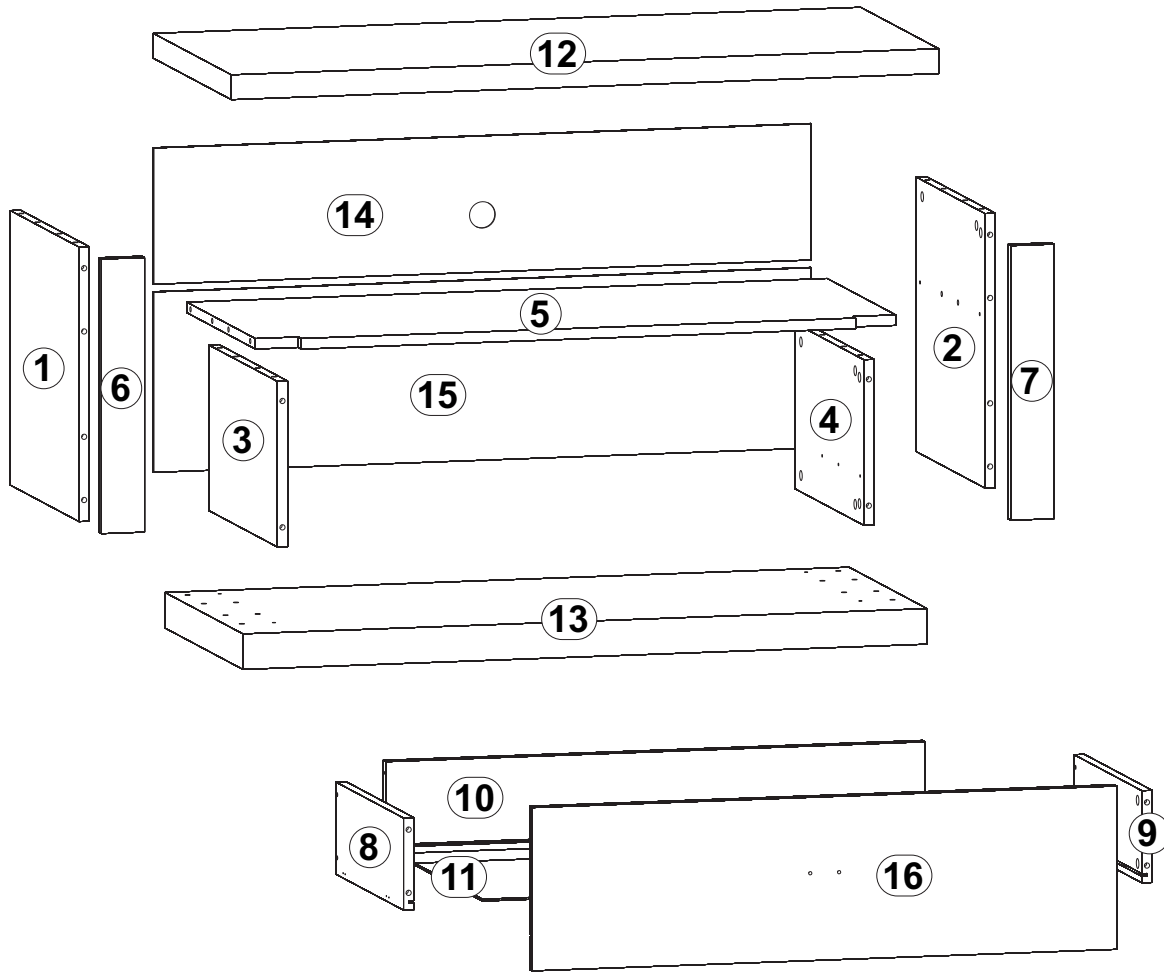
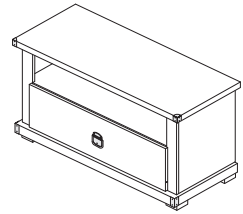


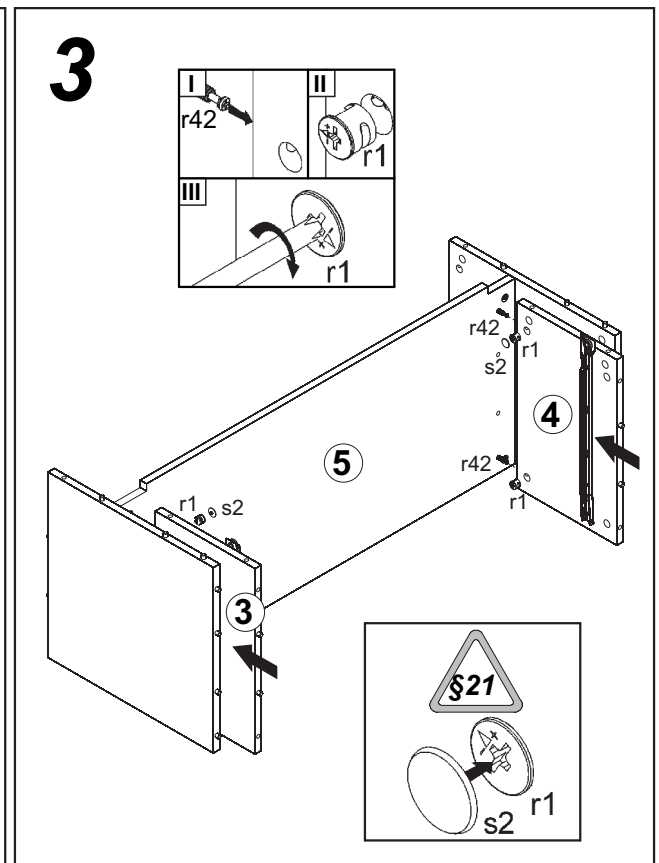
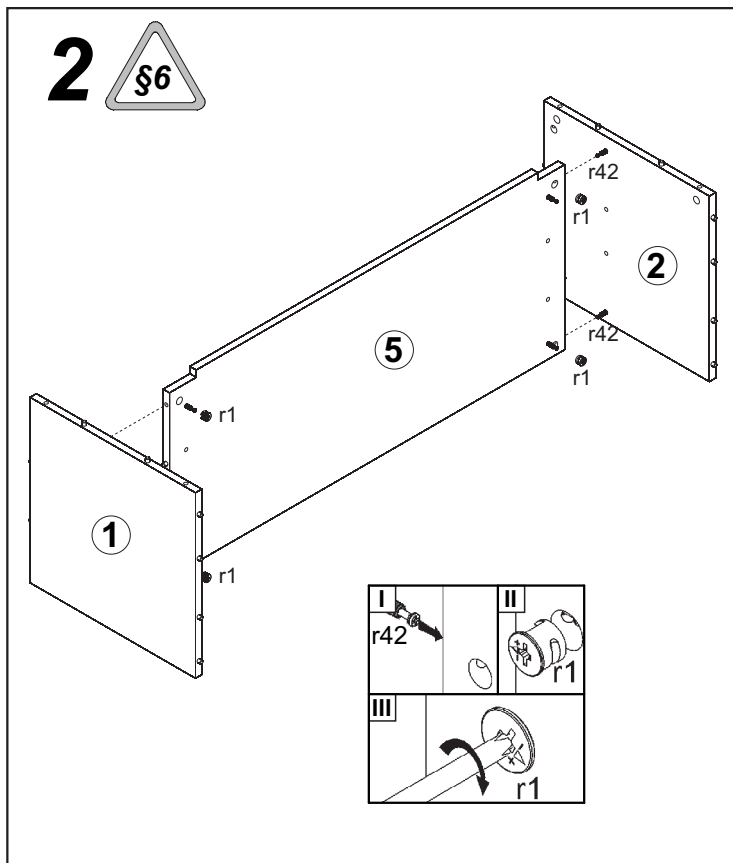
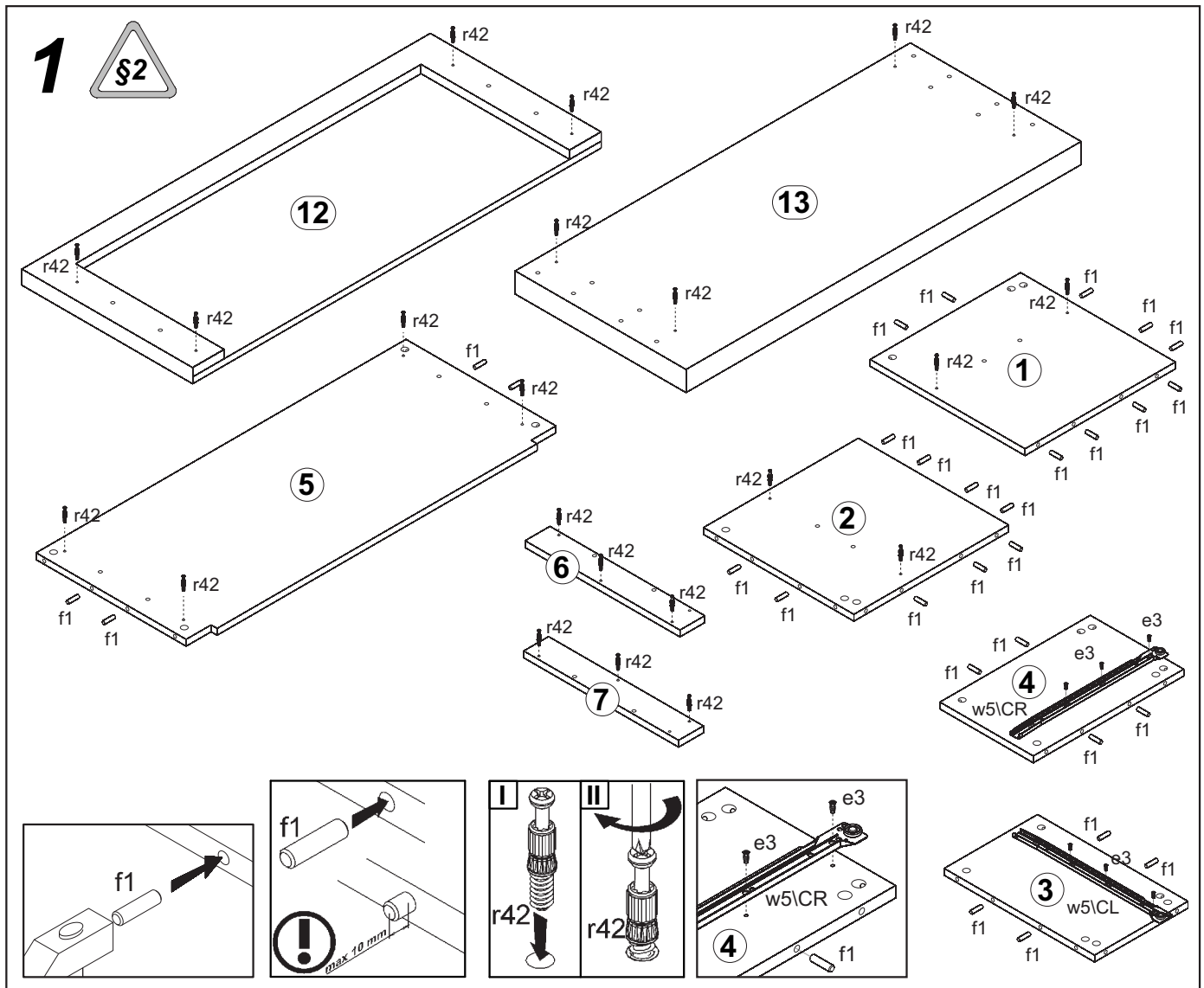
ЛОРД

Тумба РТВ_110

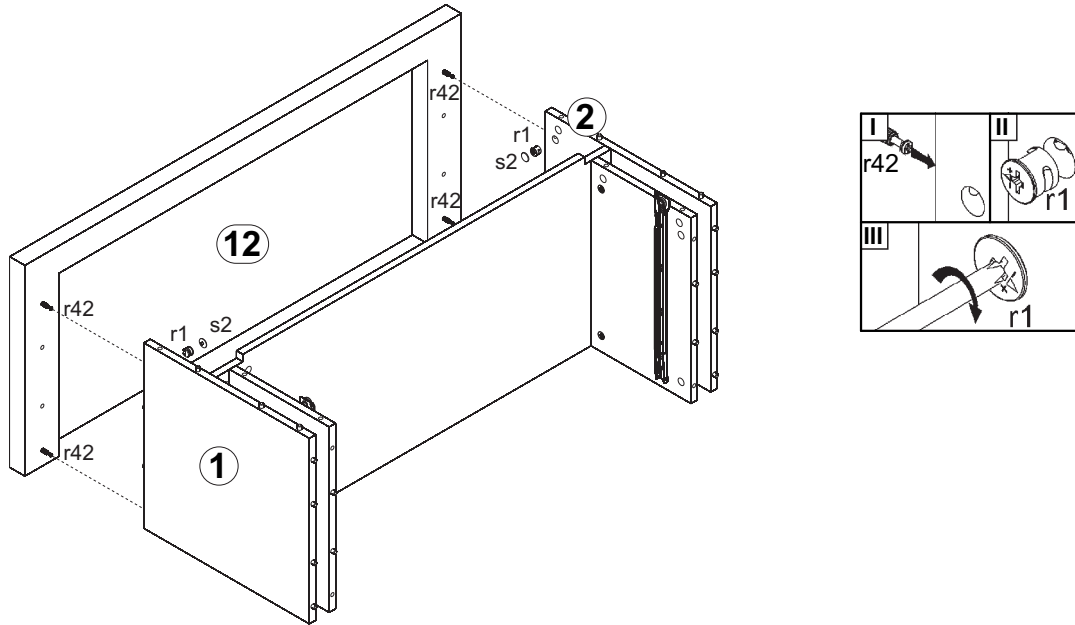
A	B	C	D	A	B	C	D		
1	LR1-114	443	410	1/3	9	LR1-503	400	140	1/3
2	LR1-113	443	410	1/3	10	LR1-509	839	140	1/3
3	LR1-117	236,5	410	1/3	11	LR1-910	854	399	1/3
4	LR1-116	236,5	410	1/3	12	LR1-216	1100	460	2/3
5	LR1-307	996	425	1/3	13	LR1-217	1064	460	2/3
6	LR1-436	443	67	1/3	14	LR1-911	1023	227	2/3
7	LR1-437	443	67	1/3	15	LR1-912	1023	259	2/3
8	LR1-502	400	140	1/3	16	LR1-015	909	245	3/3



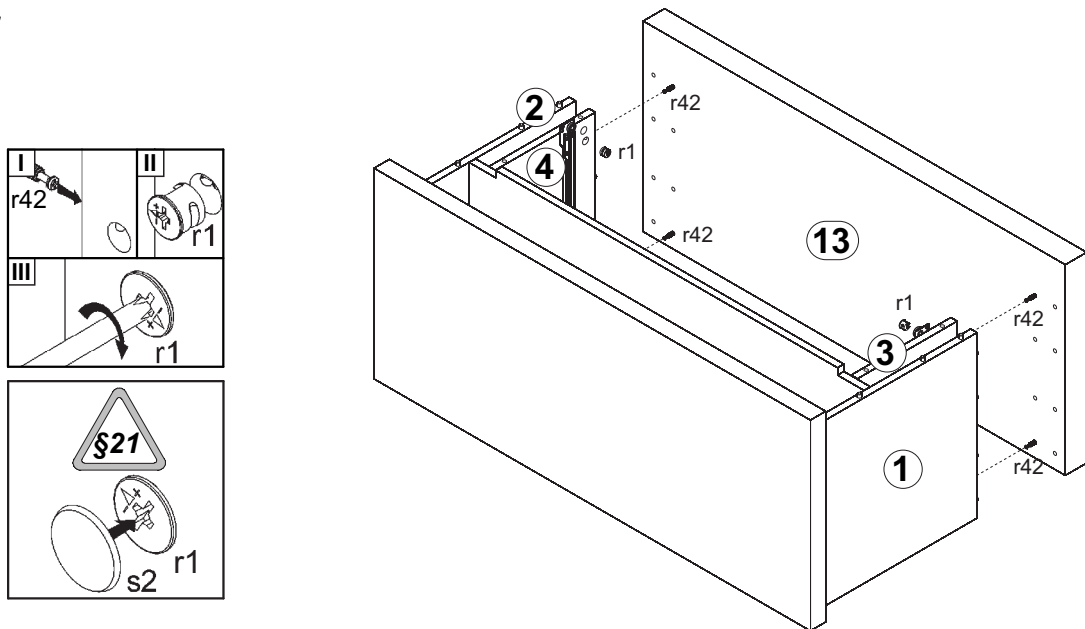
1x c411	6x φ6x13 mm e3	4x φ5x50 mm e32	30x Ø8x30 mm f1	2x M4x22 mm j30	4x k55	50x l1
2x 50x26x26 mm i57	2x 34x26x26 mm i58	8x Ø4x35 mm p6	2x φ3,5x16 mm p25	4x φ3x12 mm p54	26x Ø15x12 mm #16 r1	26x 20/11 r42
14x Ø16 s2	1x 383 mm t14	1x 400 mm w5 ^{DR}	1x 400 mm w5 ^{CR}	1x 400 mm w5 ^{DL}	1x 400 mm w5 ^{CL}	



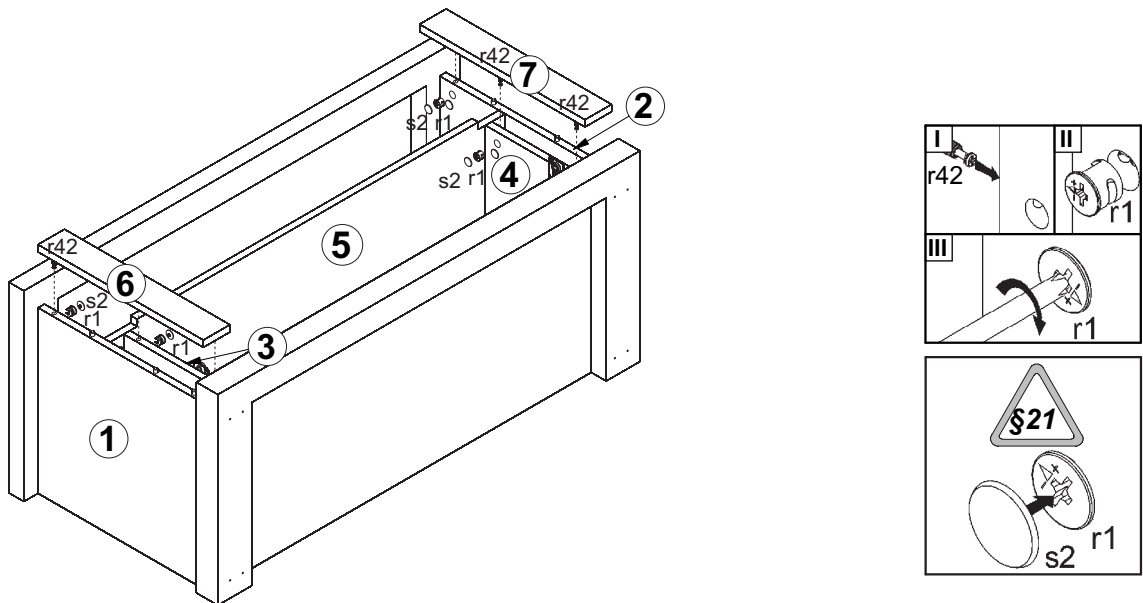
4



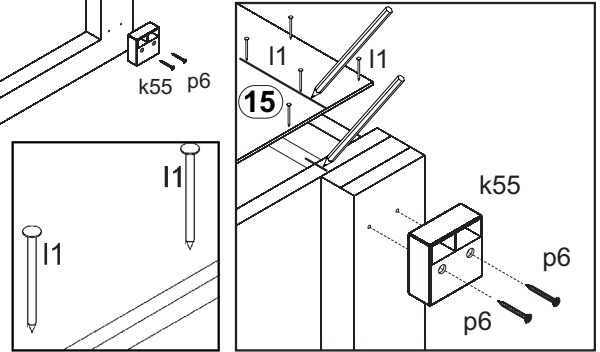
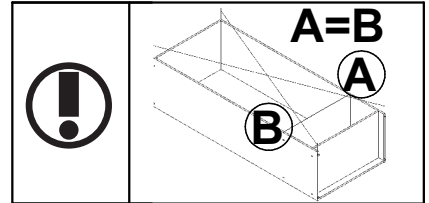
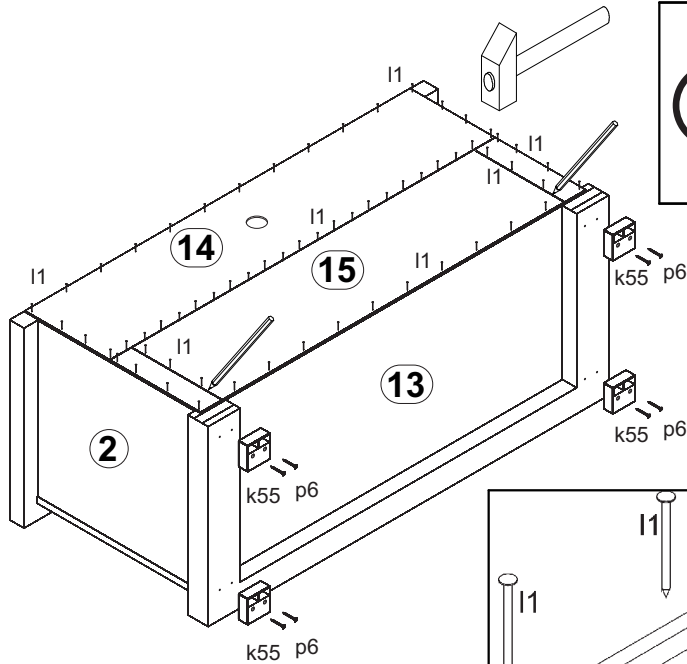
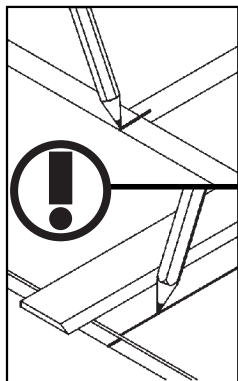
5



6



7



8

