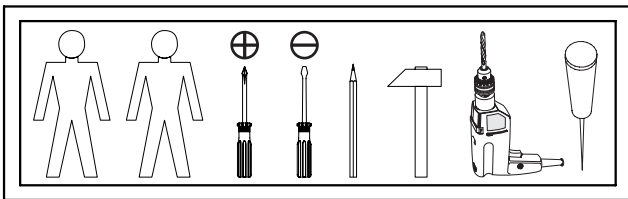
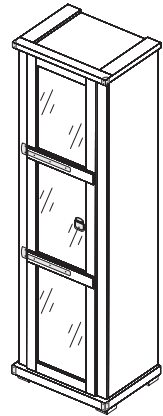
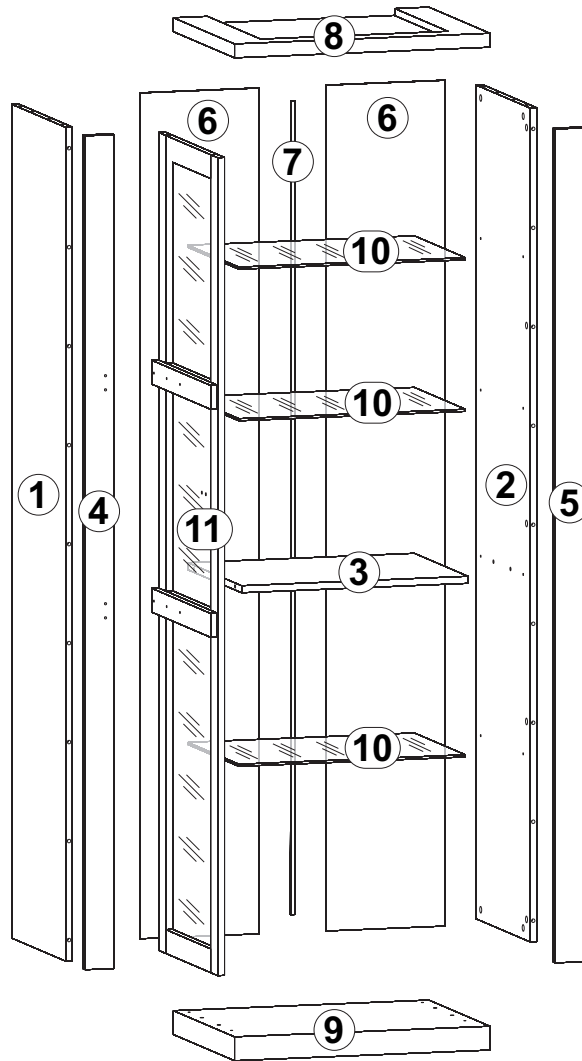
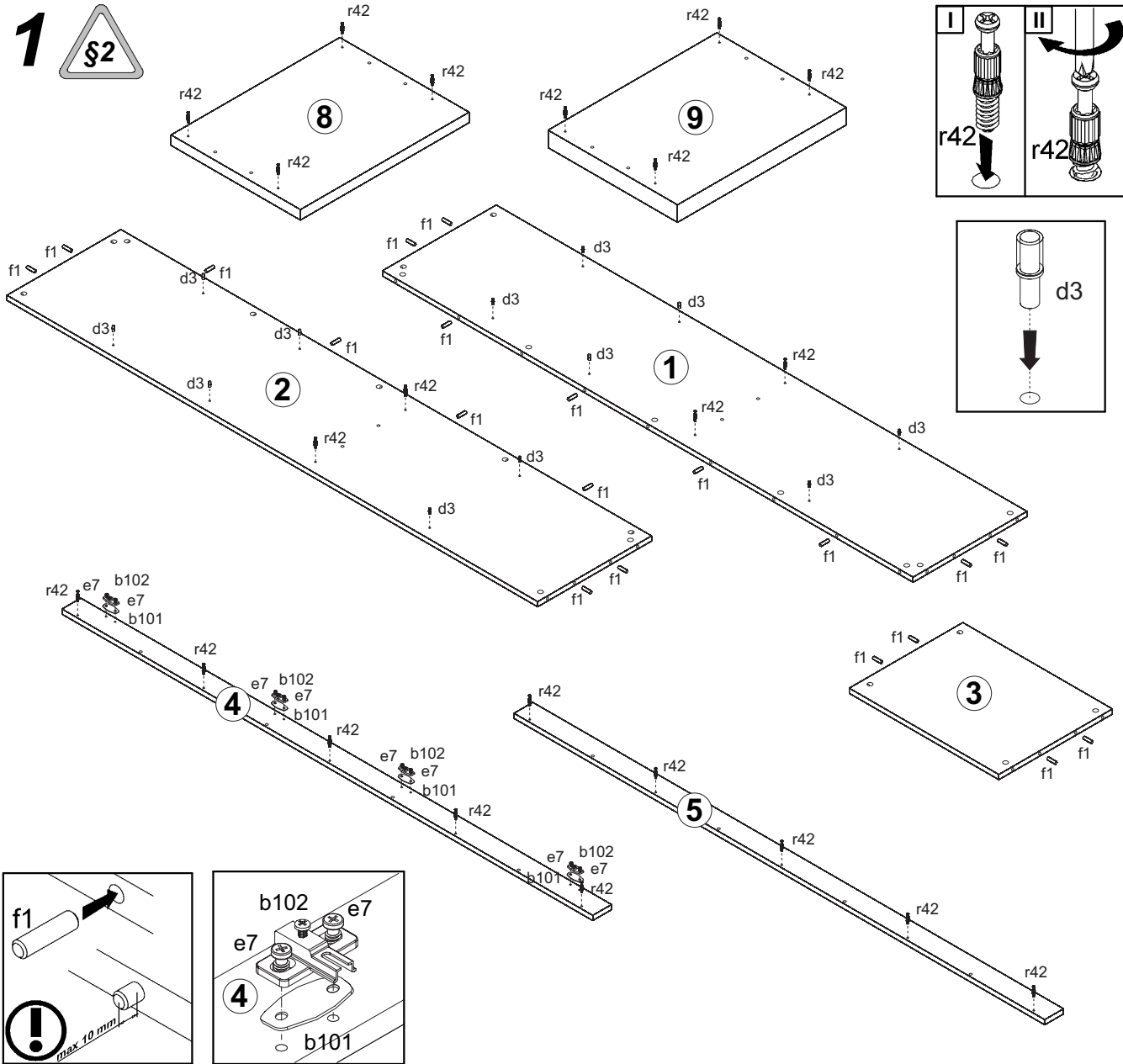
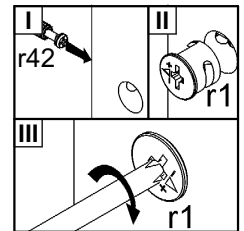
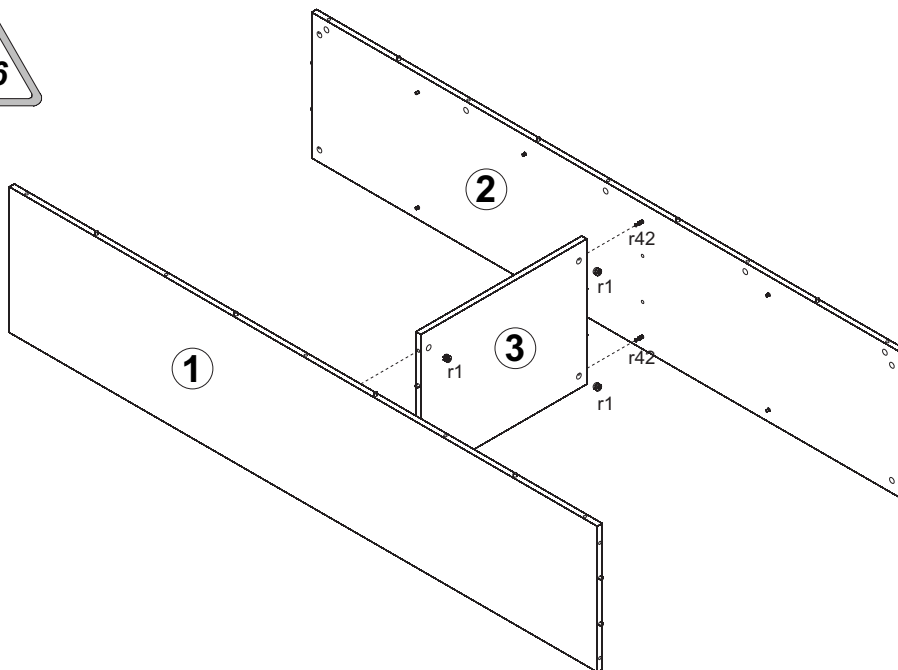


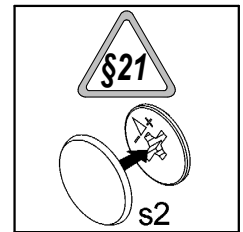
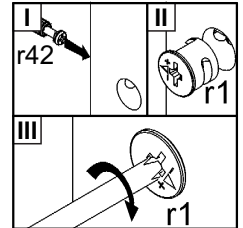
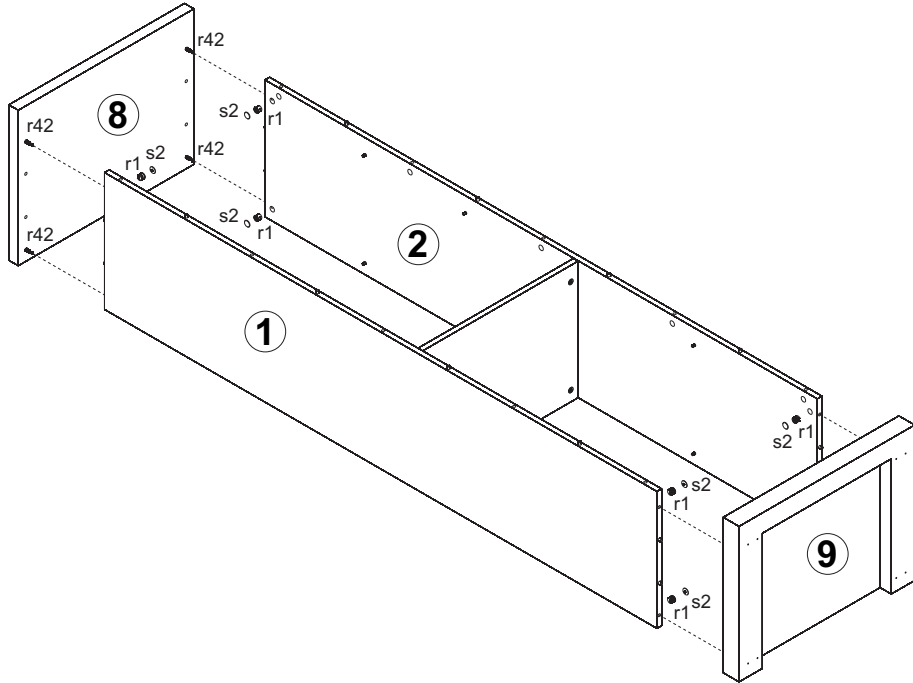
A	B	C	D
1	LR1-153	1913	410
2	LR1-154	1913	410
3	LR1-309	532	409
4	LR1-449	1913	67
5	LR1-4409	1913	67
6	LR1-913	1940	279
7	LH-1912	1912	
8	LR1-220	600	460
9	LR1-222	600	460
10	LR1-318	530	384
11	LR1-025	1907	445



4x a200/1	4x b102	4x b101	1x c411	12x φ5x17 mm d3	8x φ6,3x16 mm e7	20x Ø8x30 mm f1
2x M4x12 mm j3	4x k55	55x l1	2x 290x30x2,6 mm l54	2x 60x16x16 mm l55	2x 50x45x2,5 mm l56	2x 50x26x26 mm l57
2x 34x26x26 mm l58	1x n26\1	2x φ4,5/φ8x0,5mm o26	2x φ6,5/φ10x5,2mm o27	8x Ø4x35 mm p6	1x Ø3,5x16 mm p38	8x φ3,5x15 mm p51
22x Ø15x12 mm #16 r1	22x 20/11 r42	18x Ø16 s2				

1**2**

3



4

