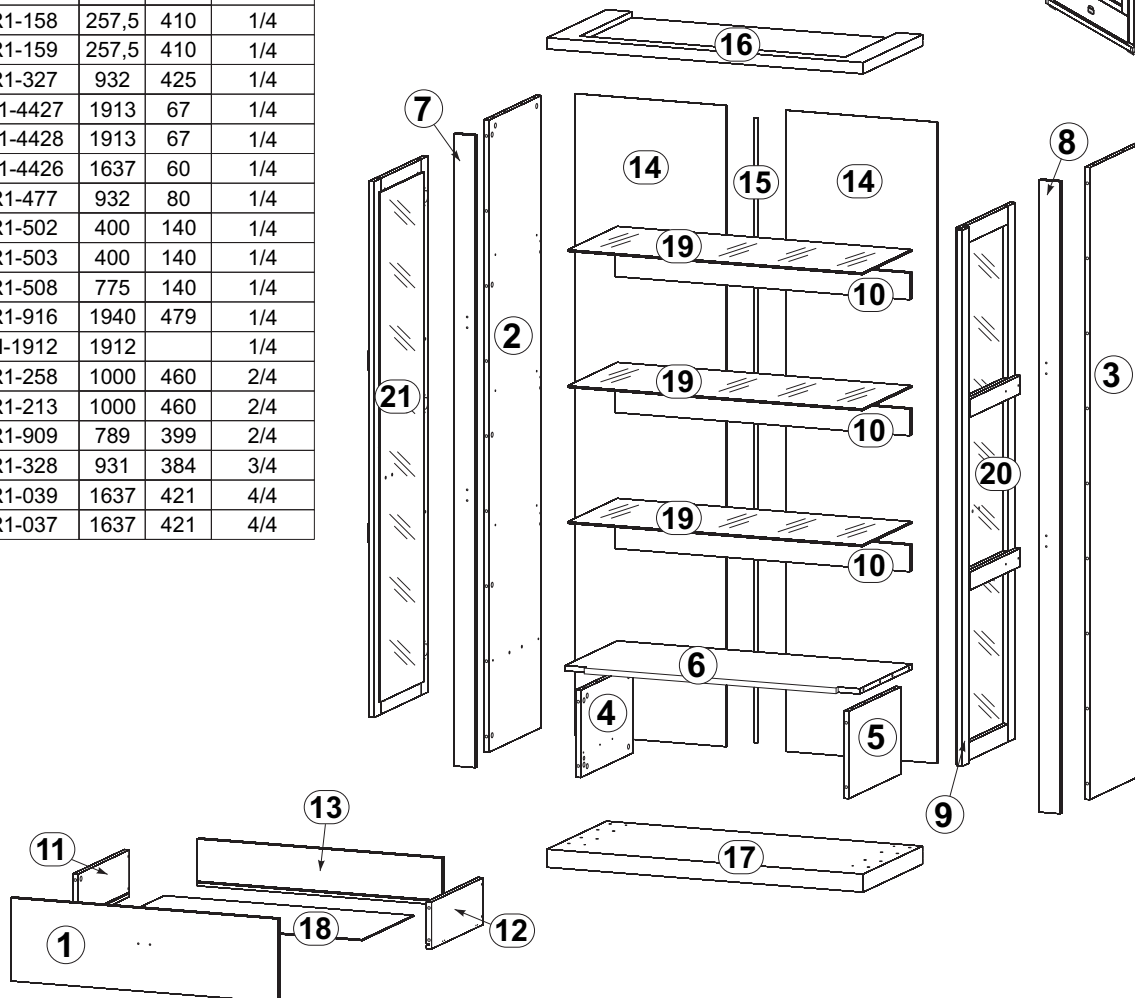
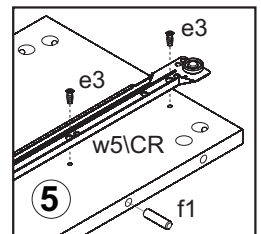
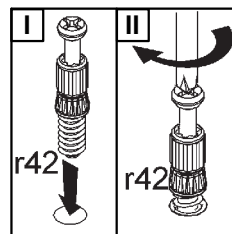
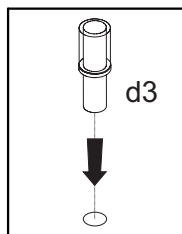
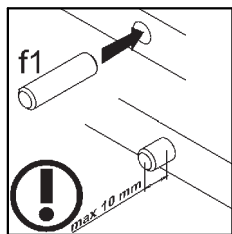
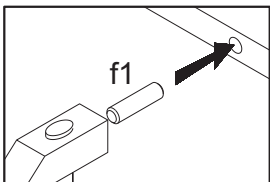
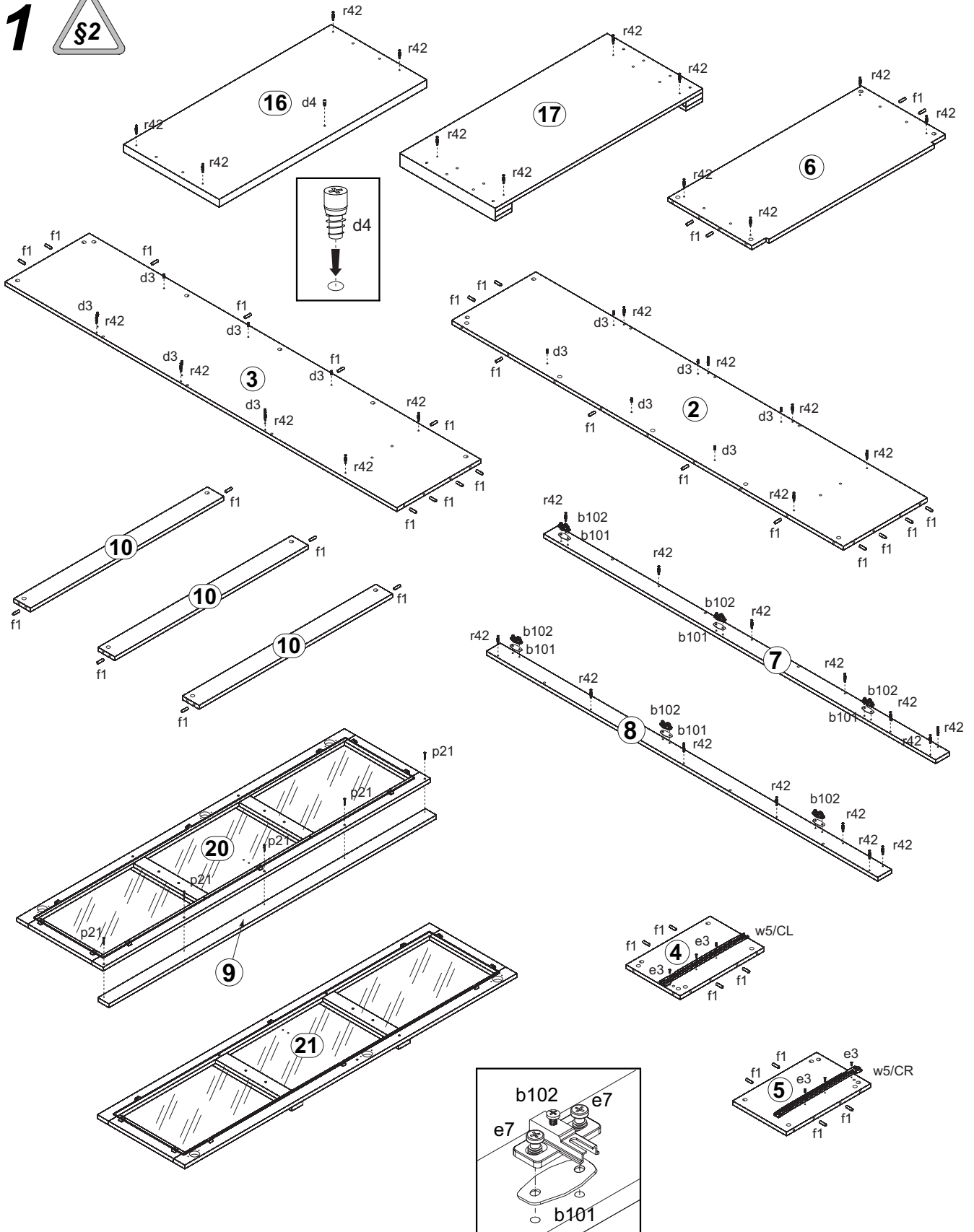


A	B	C	D	
1	LR1-014	845	267	1/4
2	LR1-156	1913	410	1/4
3	LR1-157	1913	410	1/4
4	LR1-158	257,5	410	1/4
5	LR1-159	257,5	410	1/4
6	LR1-327	932	425	1/4
7	LR1-4427	1913	67	1/4
8	LR1-4428	1913	67	1/4
9	LR1-4426	1637	60	1/4
10	LR1-477	932	80	1/4
11	LR1-502	400	140	1/4
12	LR1-503	400	140	1/4
13	LR1-508	775	140	1/4
14	LR1-916	1940	479	1/4
15	LH-1912	1912		1/4
16	LR1-258	1000	460	2/4
17	LR1-213	1000	460	2/4
18	LR1-909	789	399	2/4
19	LR1-328	931	384	3/4
20	LR1-039	1637	421	4/4
21	LR1-037	1637	421	4/4

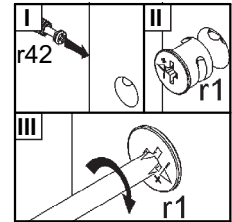
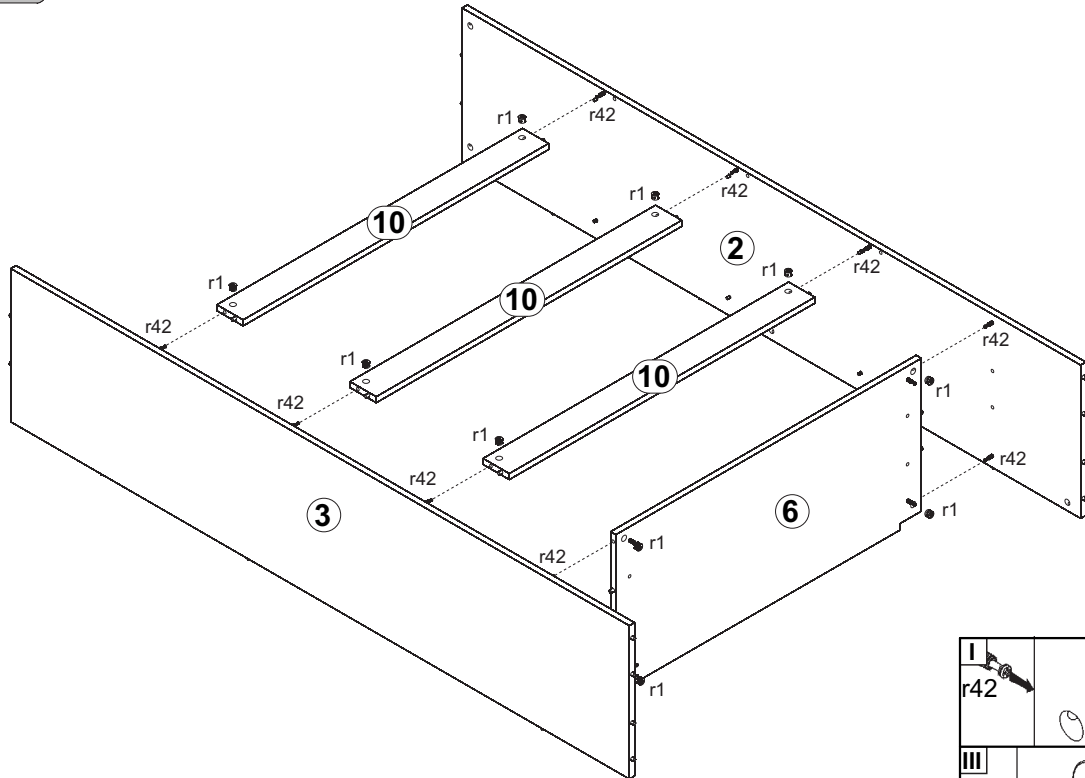


6x a200/1	6x b102	6x b101	3x c411	12x φ5x17 mm d3	1x φ6x15 mm d4	6x Ж6x13 mm e3
12x φ6,3x16 mm e7	4x φ5x50 mm e32	38x ∅8x30 mm f1	4x M4x12 mm j3	2x M4x22 mm j30	4x k55	65x l1
4x 290x30x2,6 mm l54	4x 60x16x16 mm l55	4x 50x45x2,5 mm l56	2x 50x26x26 mm l57	2x 34x26x26 mm l58	1x n26/1	4x φ4,5/φ8x0,5 mm o26
4x φ6,5/φ10x5,2 mm o27	8x ∅4x35 mm p6	5x ∅4x30 mm p21	2x φ3,5x16 mm p25	19x ∅3,5x16 mm p38	12x φ3,5x15 mm p51	4x φ3x12 mm p54
40x ∅15x12 mm #16 r1	40x 20/11 r42	24x ∅16 s2	1x 383 mm t14	1x 400 mm w5 ^{DR}	1x 400 mm w5 ^{CR}	1x 400 mm w5 ^{DL}
1x 400 mm w5 ^{CL}						

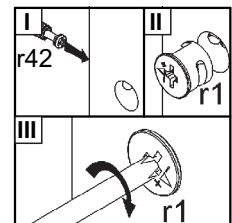
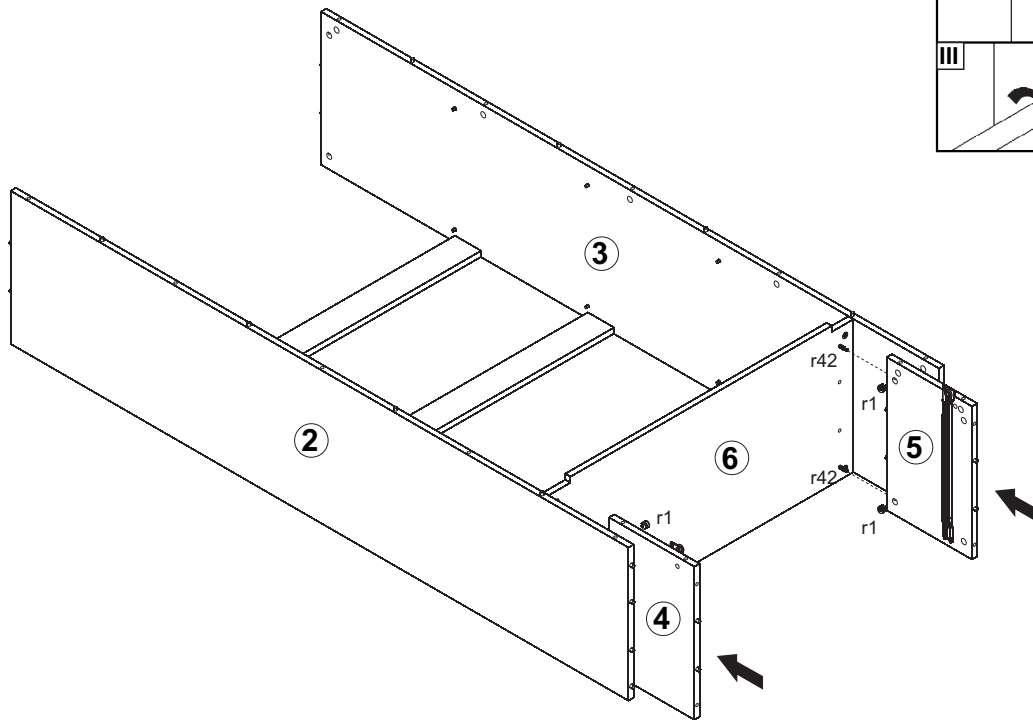
1



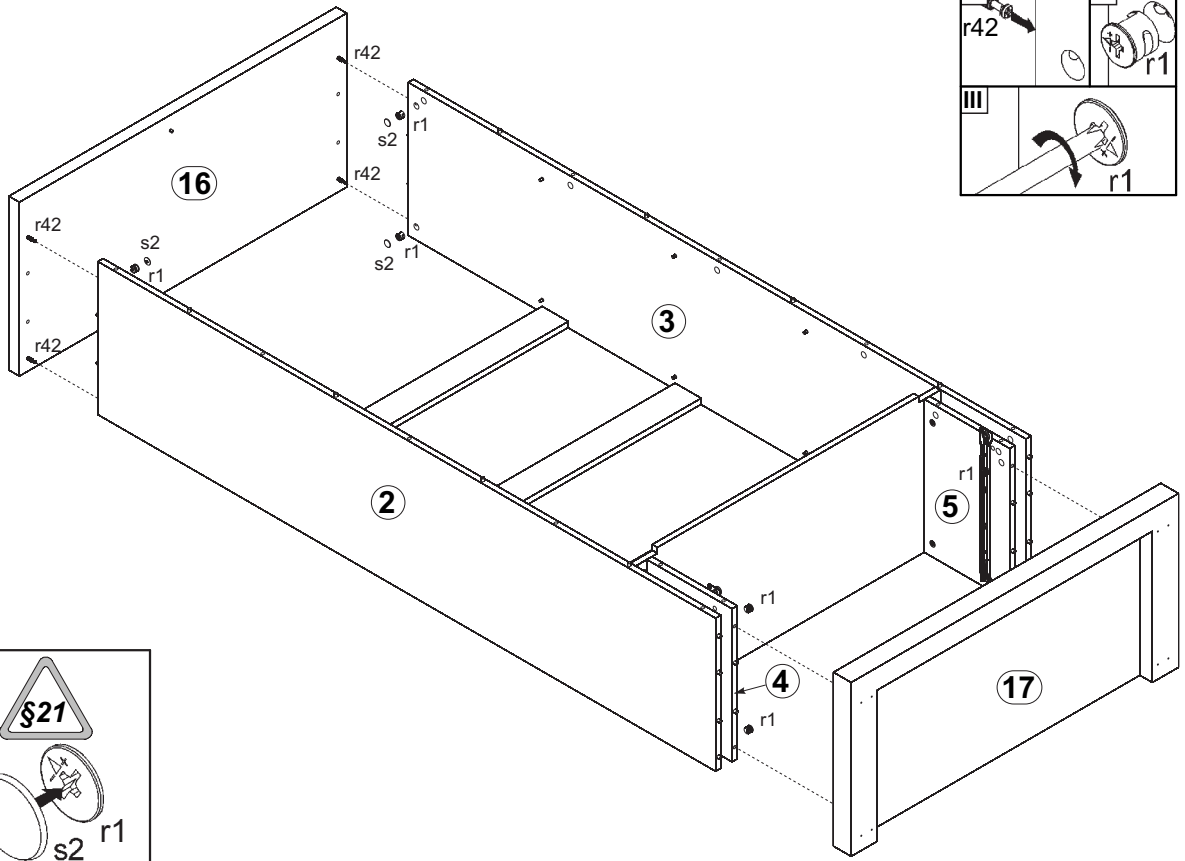
2



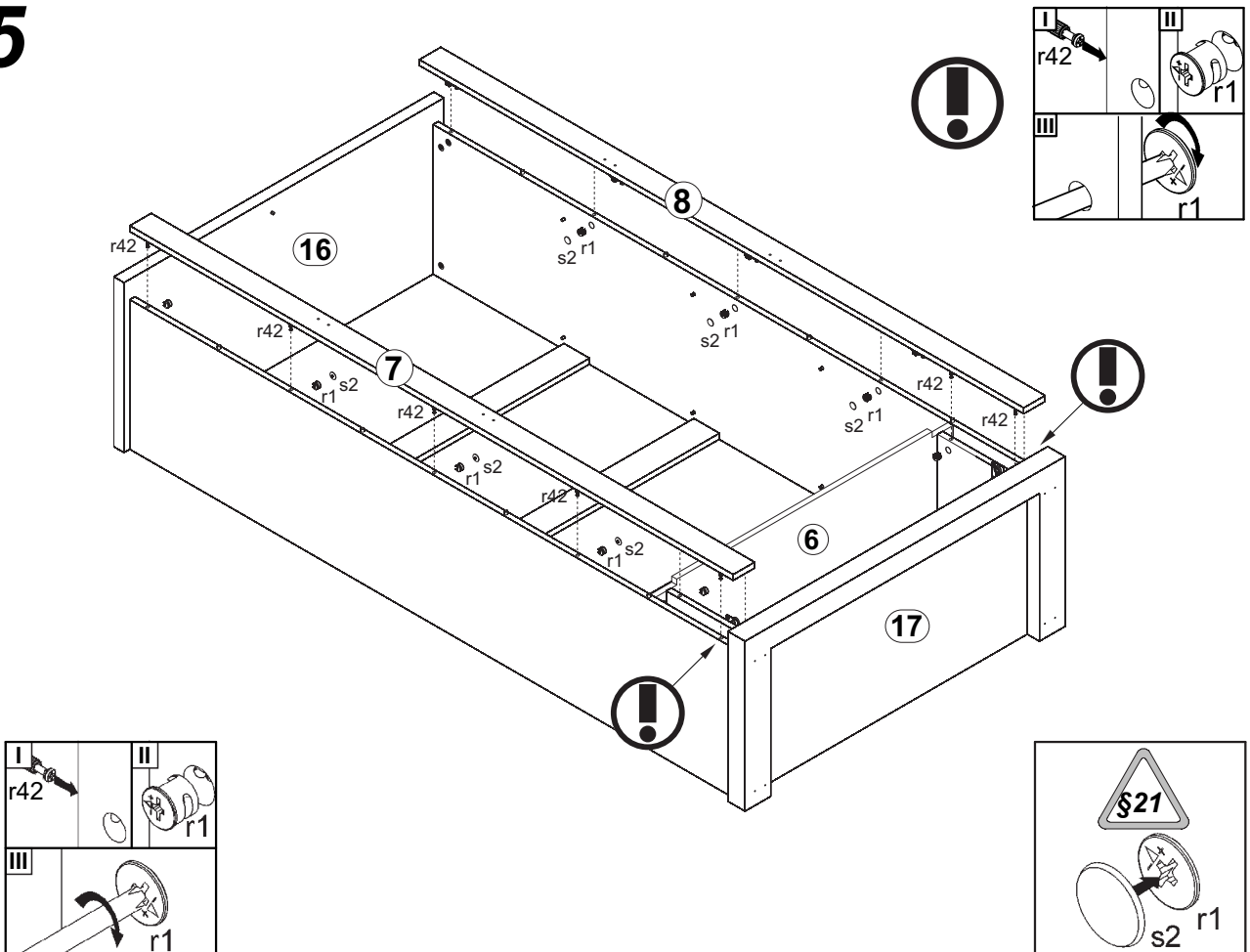
3

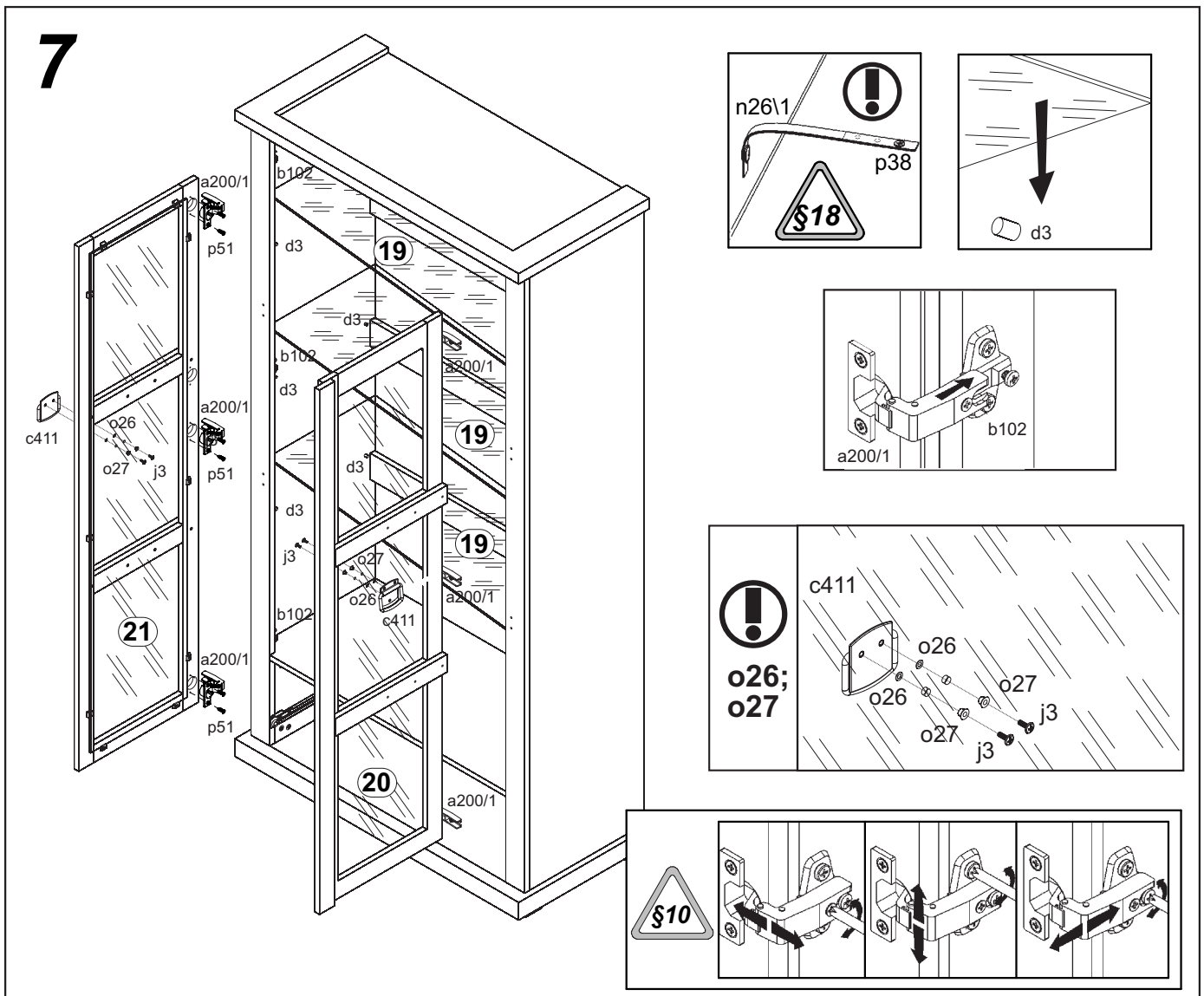
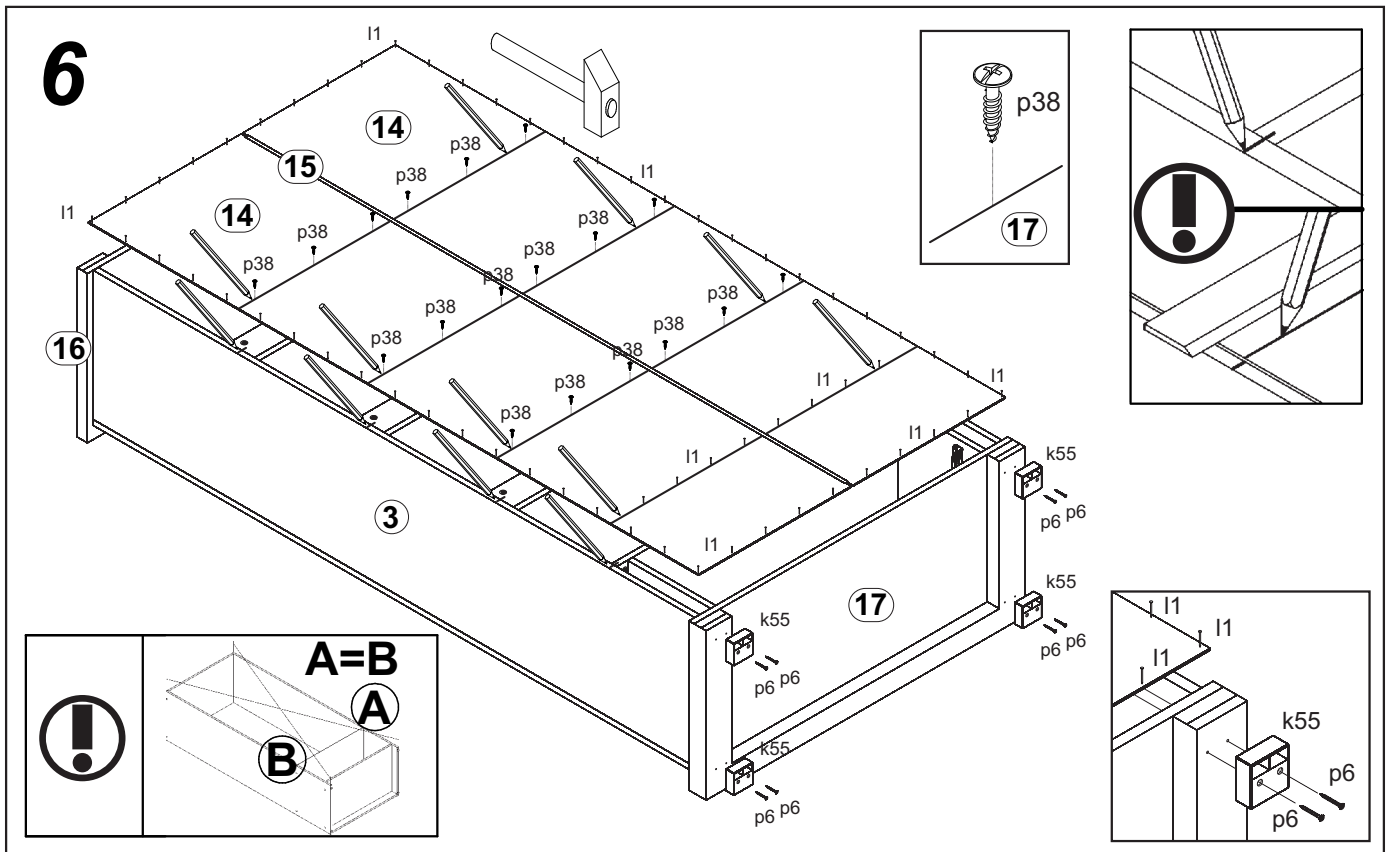


4

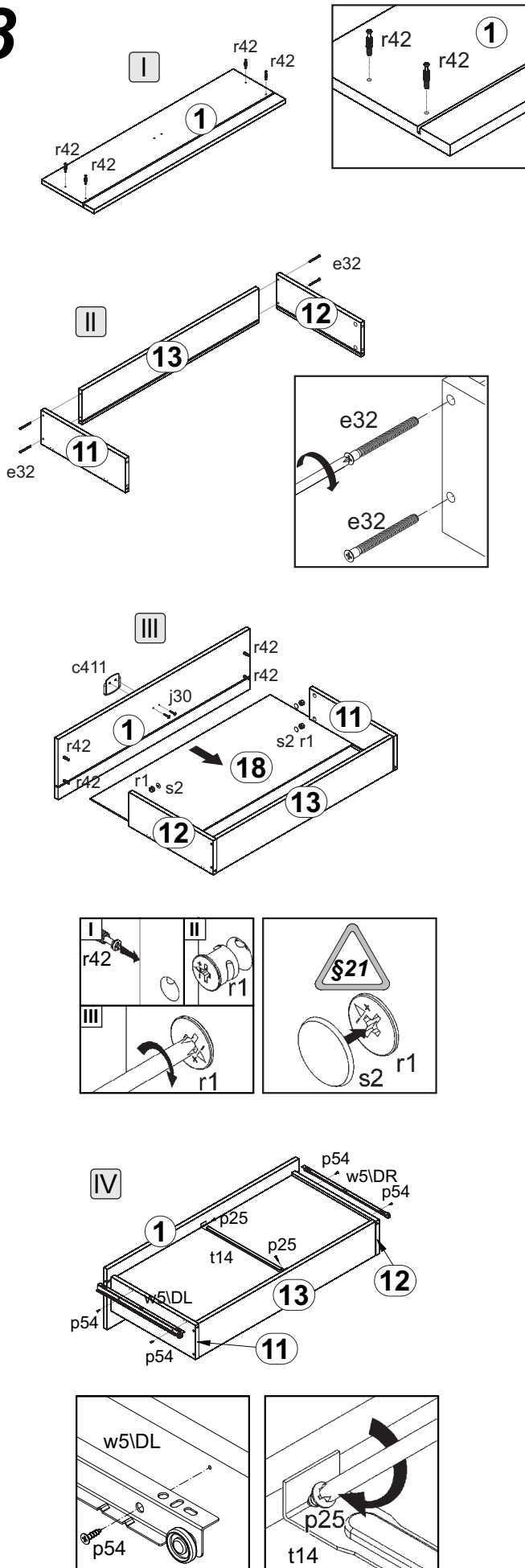


5





8



9

