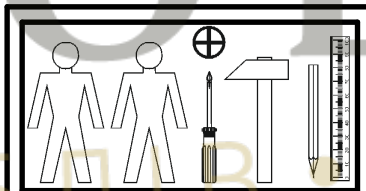
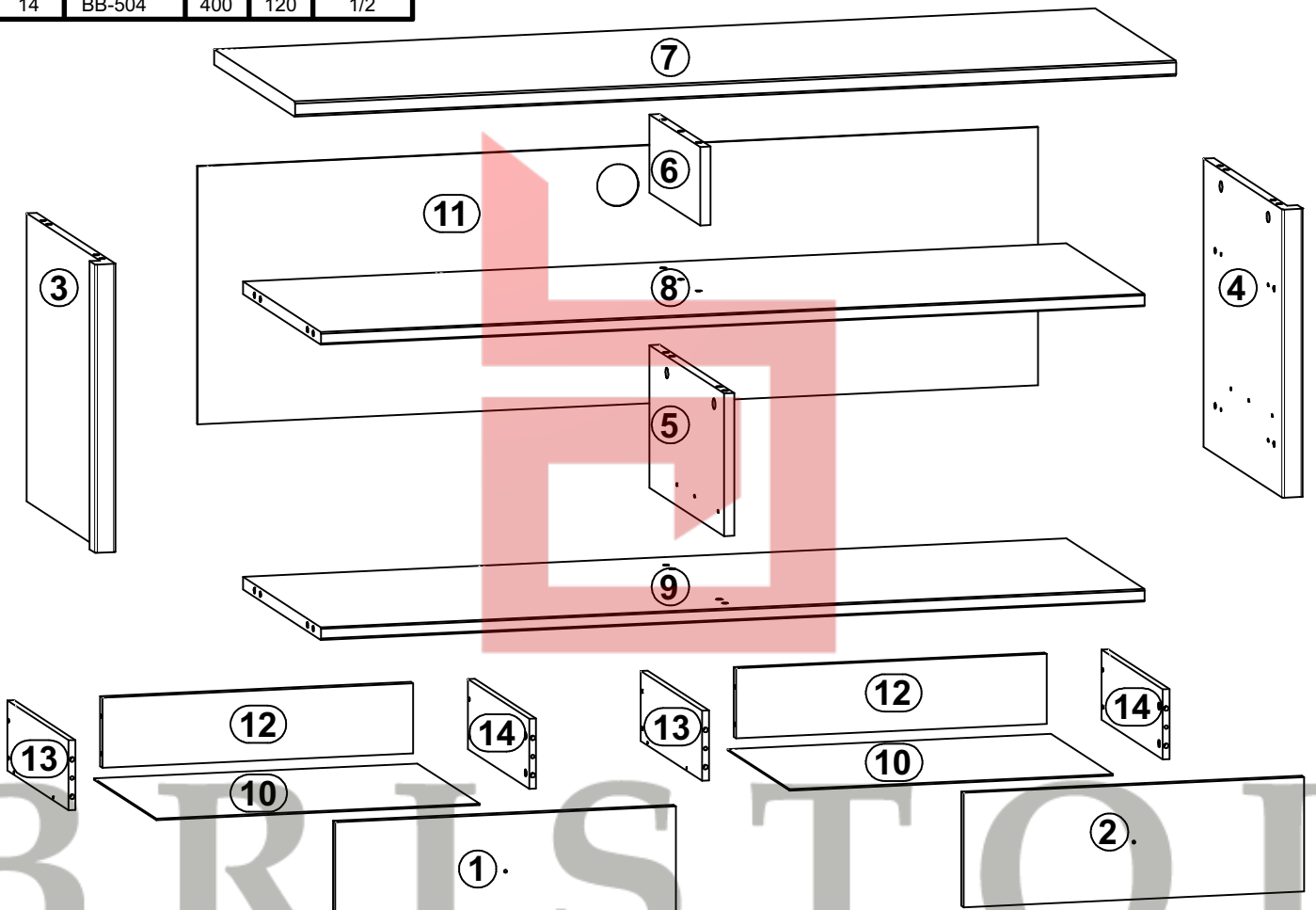
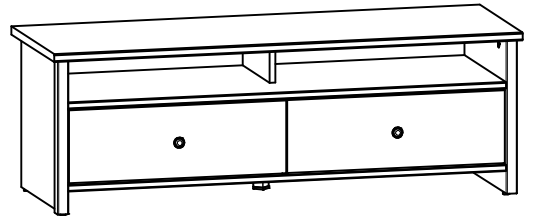
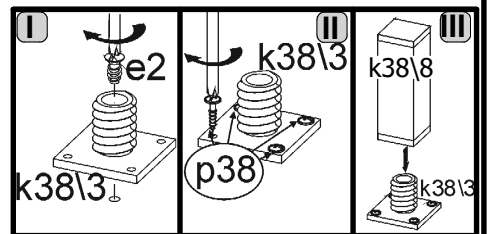
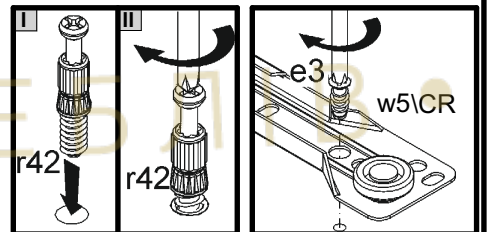
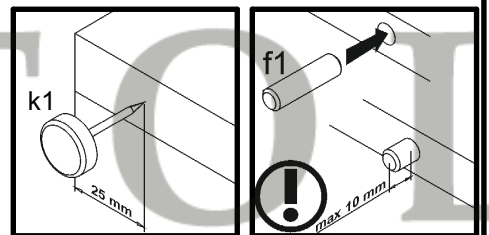
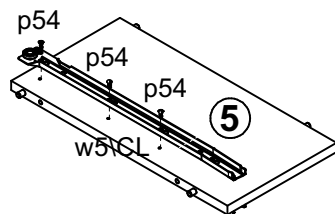
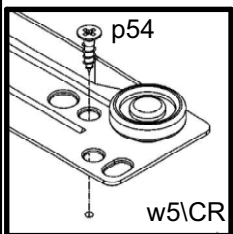
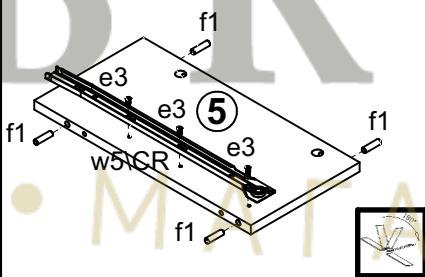
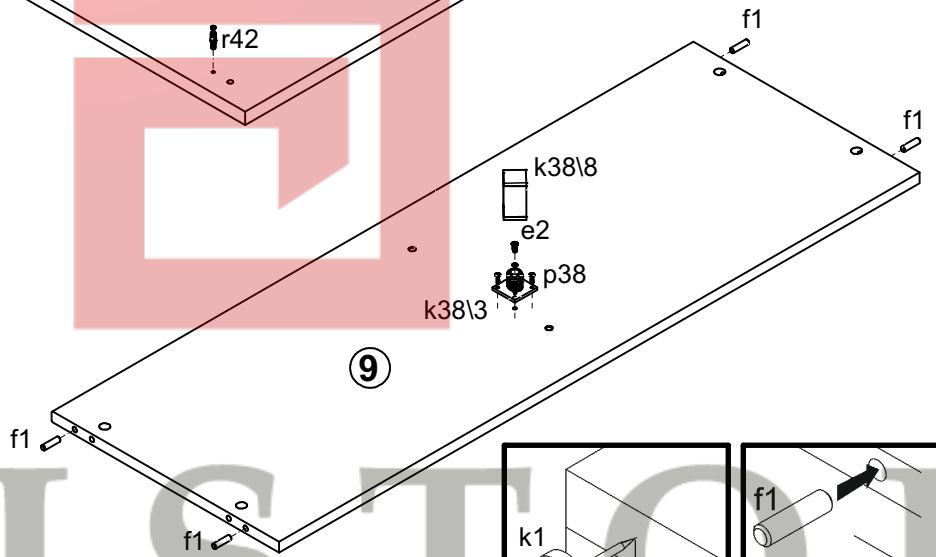
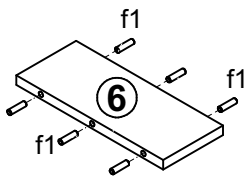
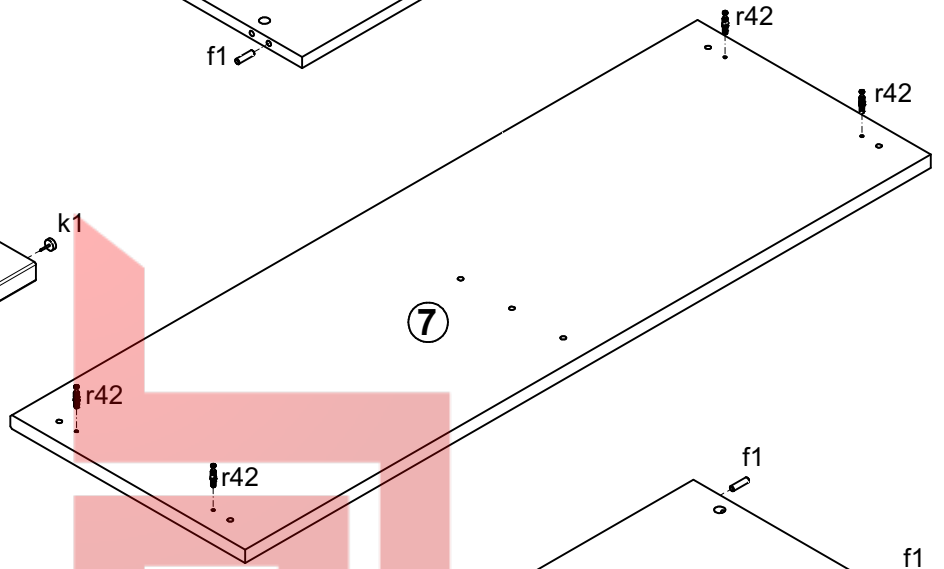
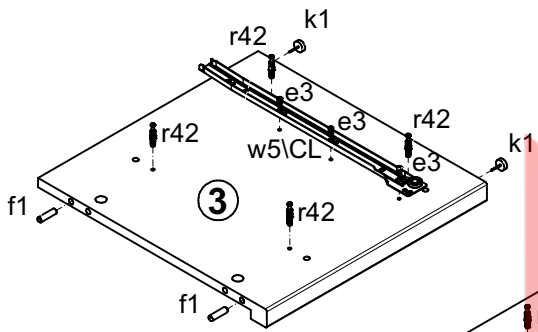
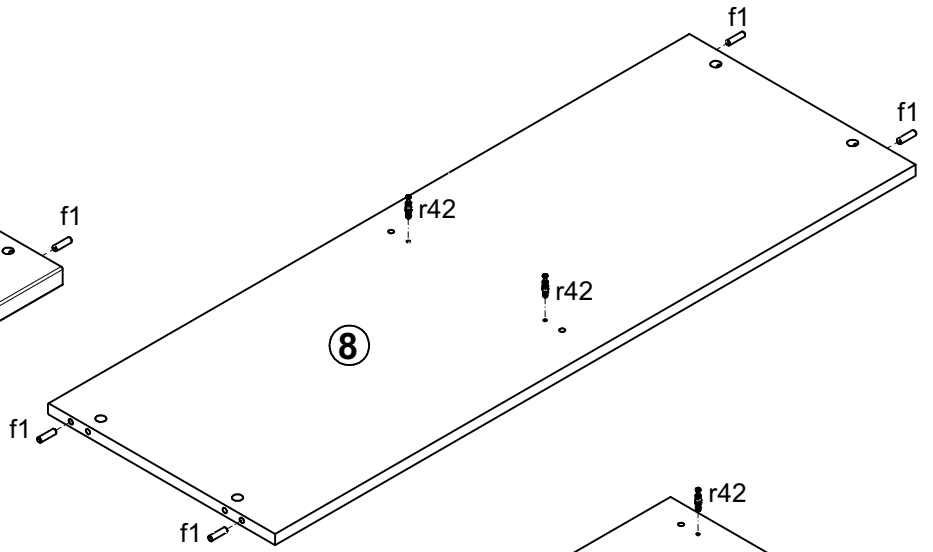
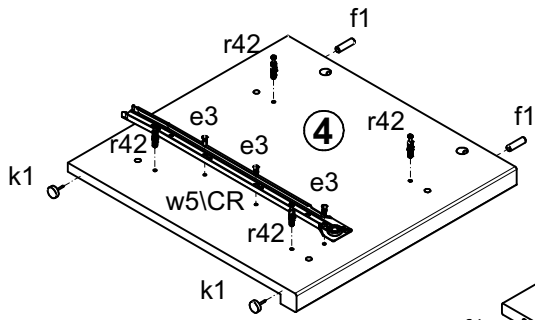


A	B	C	D	
1	S322-0005	595	196	2/2
2	S322-0006	595	196	2/2
3	S322-1105	412	428	1/2
4	S322-1106	412	428	1/2
5	S322-1107	204	405	1/2
6	S322-1108	112	275	1/2
7	S322-2203	1283	439	1/2
8	S322-3302	1199	425	1/2
9	S322-3303	1199	425	1/2
10	S322-9907	565	405	1/2
11	S322-9908	369	1226	1/2
12	ZB-5508	535	120	1/2
13	BB-503	400	120	1/2
14	BB-504	400	120	1/2

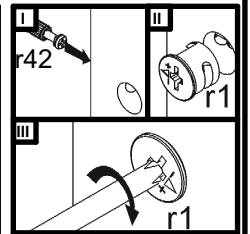
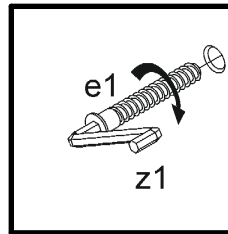
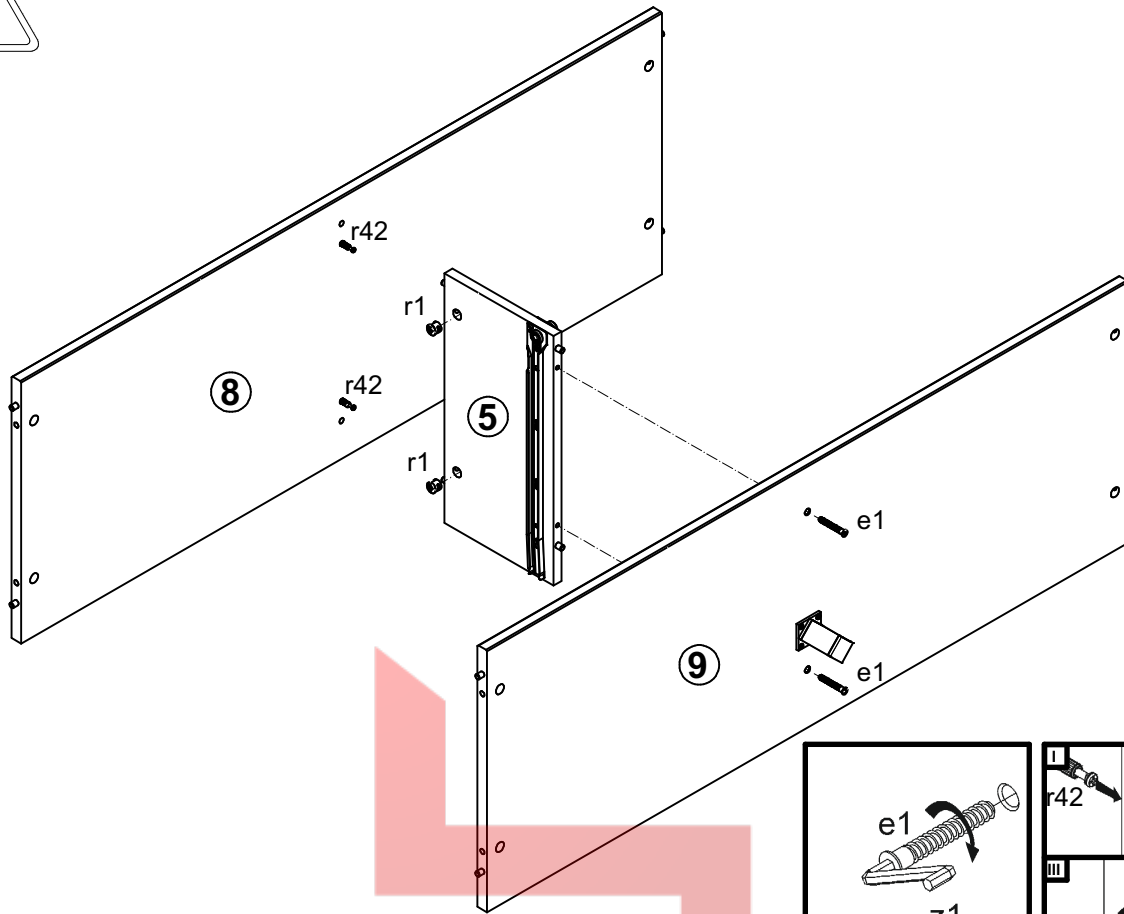


2x M4 c415	2x Ø7x50 mm e1	1x Ø6,3x13 mm e2	9x Ø6x13 mm e3	8x Ø5x9 mm e19	26x Ø8x30 mm f1	8x Ø6,5x40 mm f25	2x M4x20 mm j1	4x k1
1x 42,5x42,5x4 mm k38I3	1x 30x30x60 mm k38I8	45x l1	12x Ø3,5x16 mm p38	3x Ø3x12 mm p54	22x Ø15x12 mm #16 r1	22x 20/11 r42	2x 400 mm w5ICL	2x 400 mm w5ICR
2x 400 mm w5IDL	2x 400 mm w5IDR	1x z1	5x Ø16 s2					

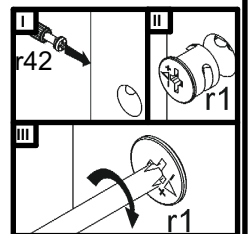
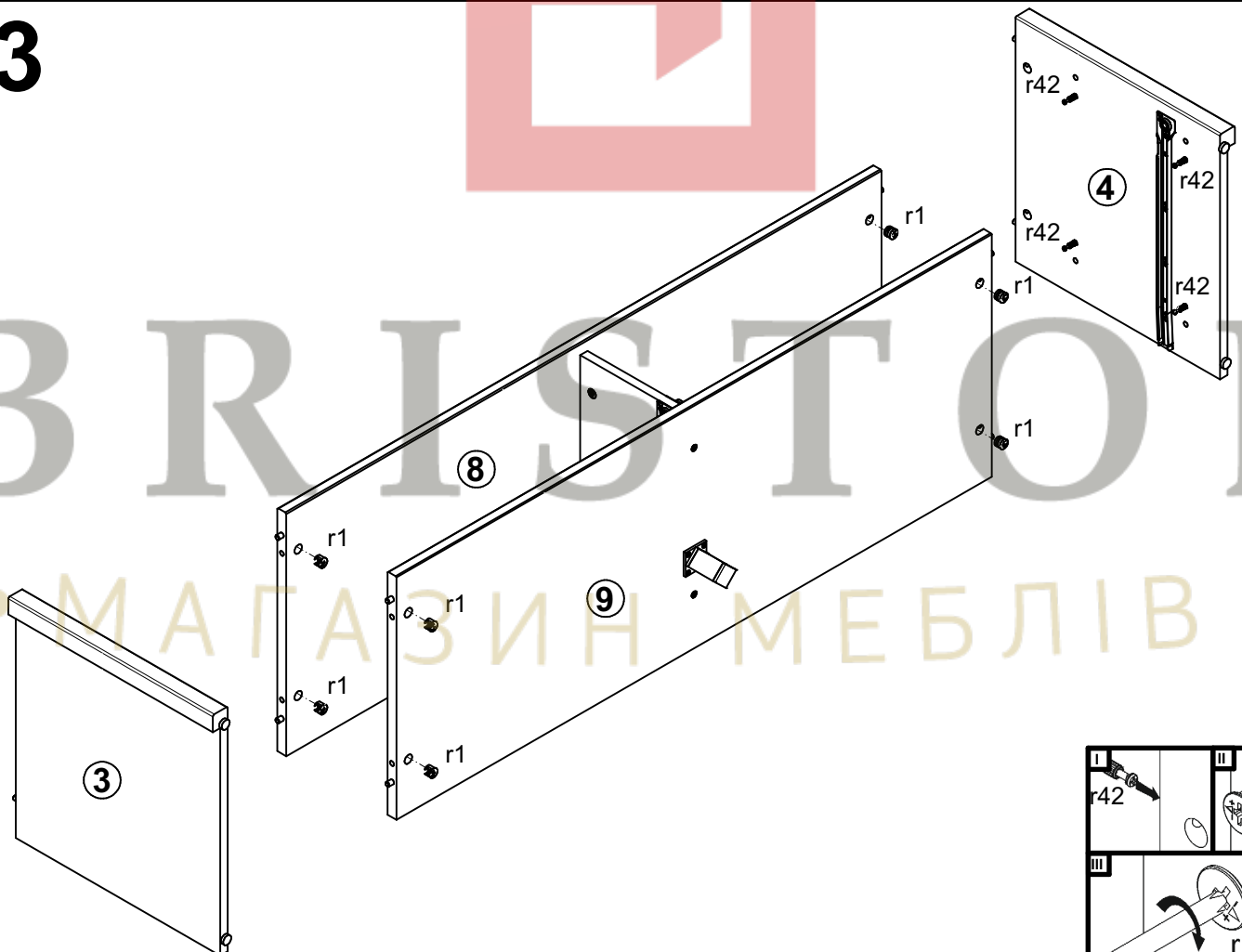
1 



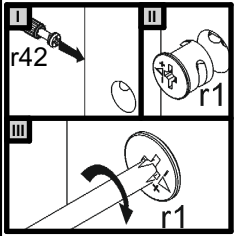
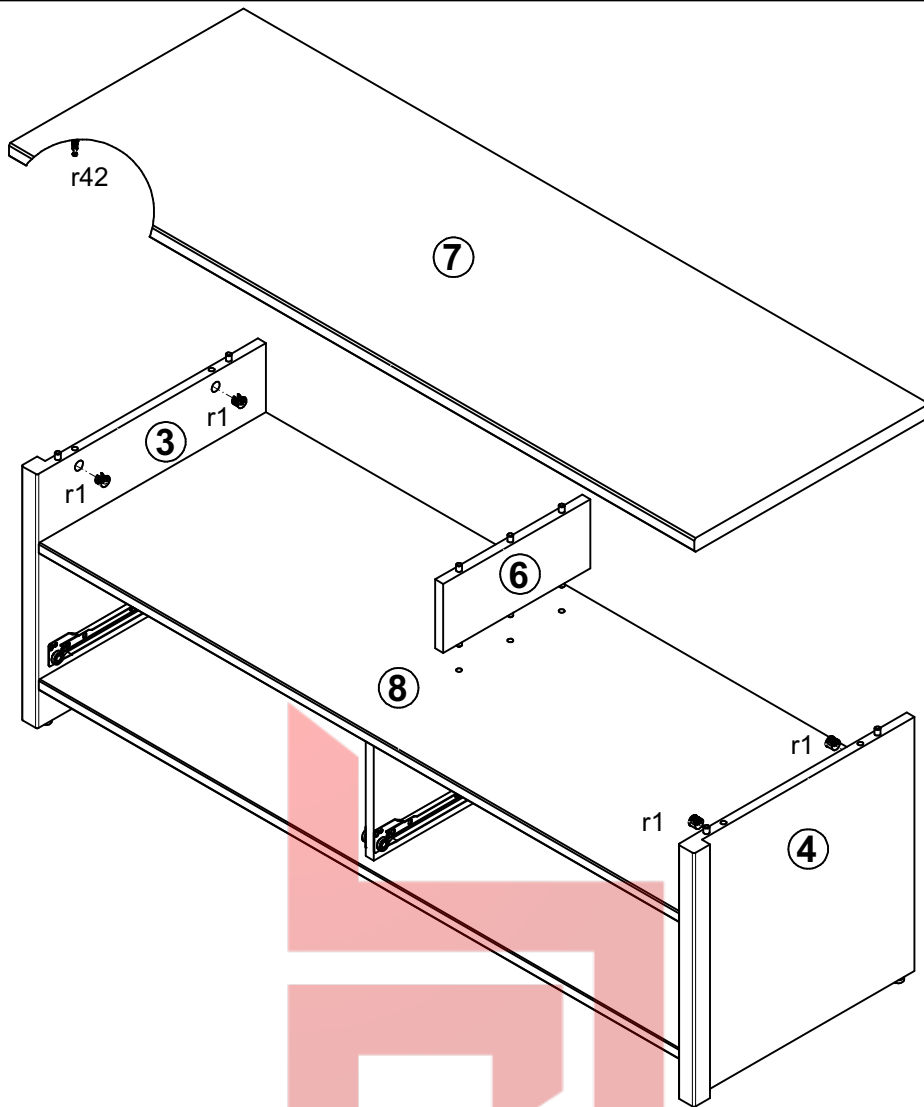
2 



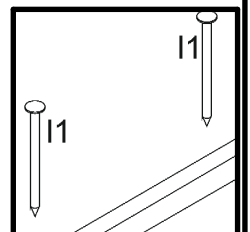
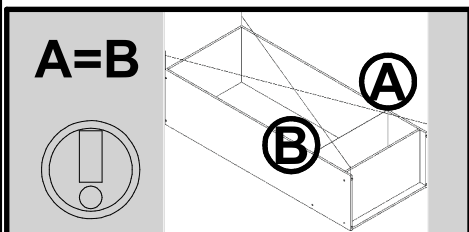
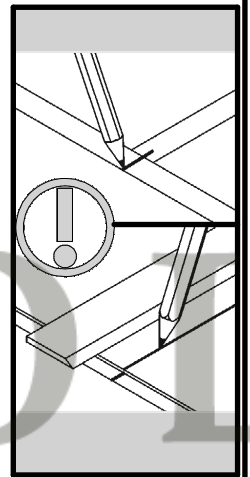
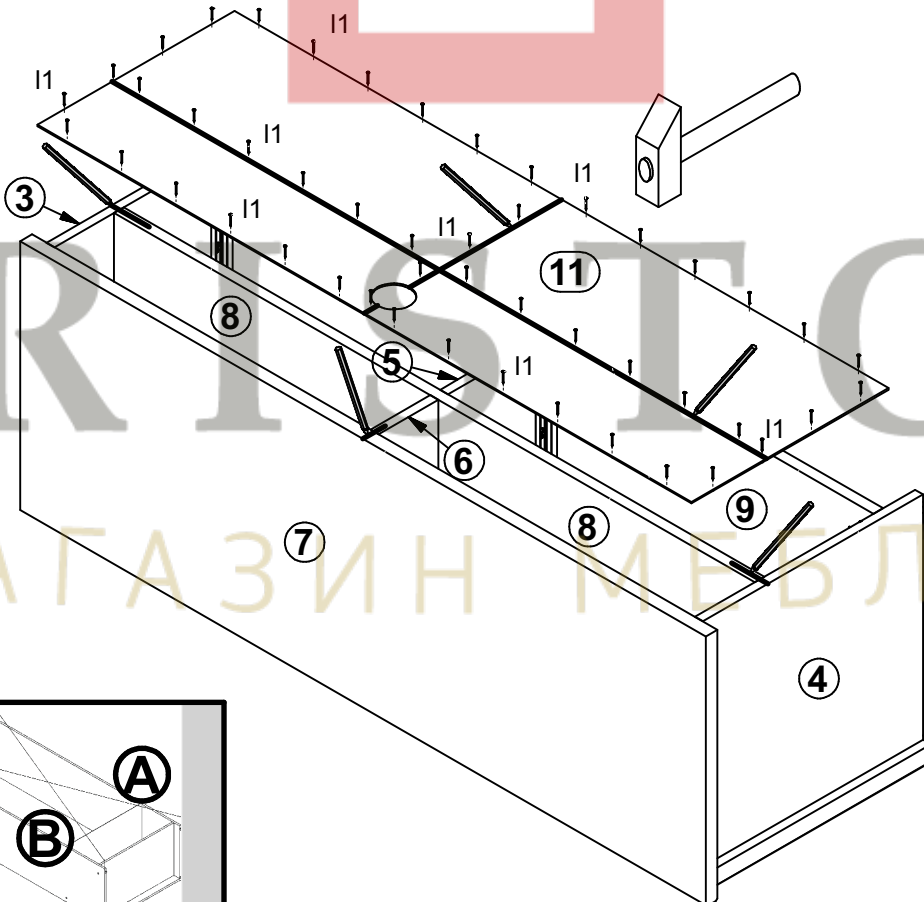
3



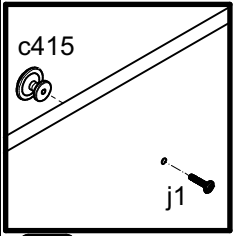
4



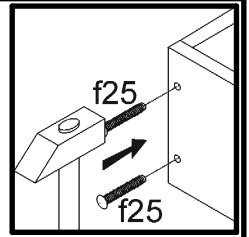
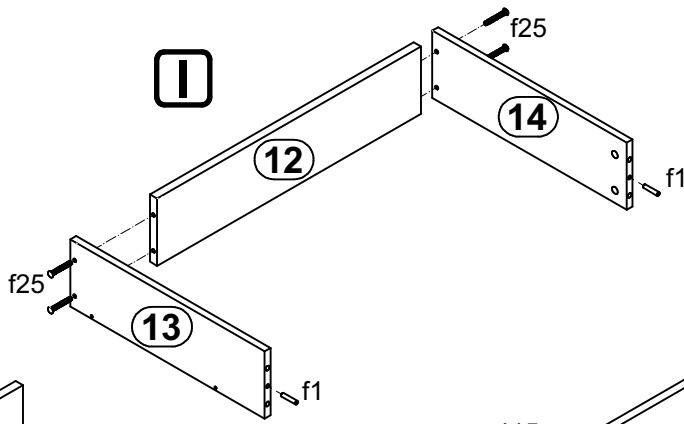
5



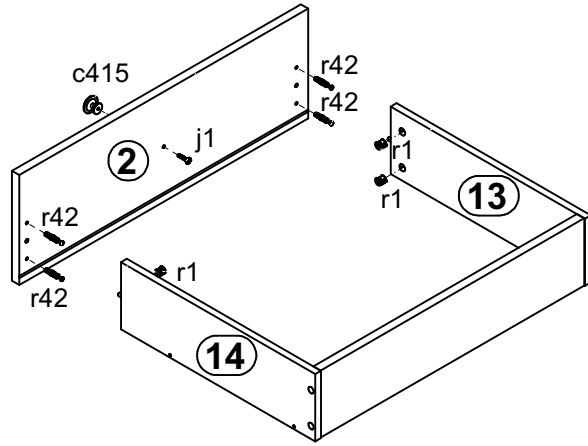
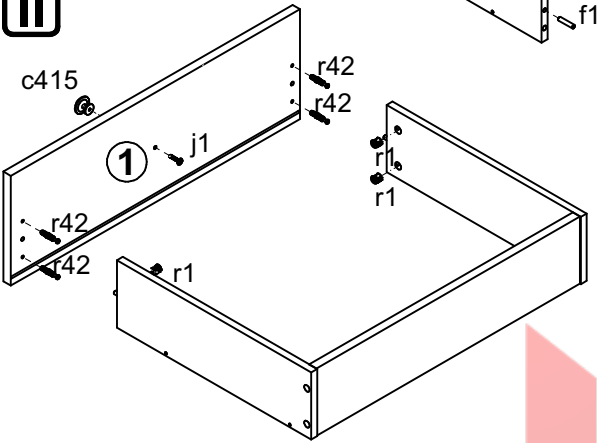
6



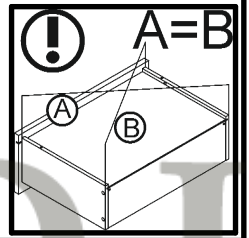
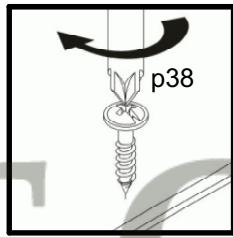
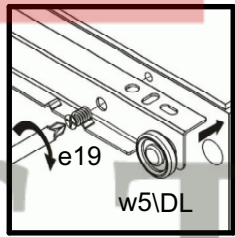
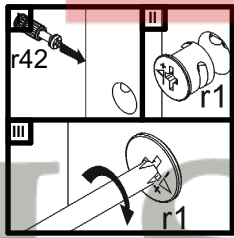
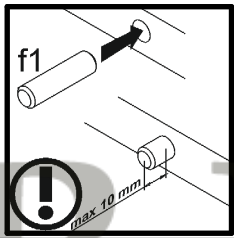
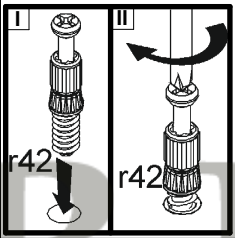
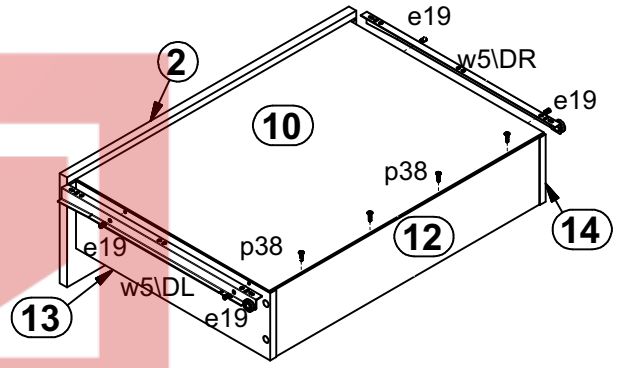
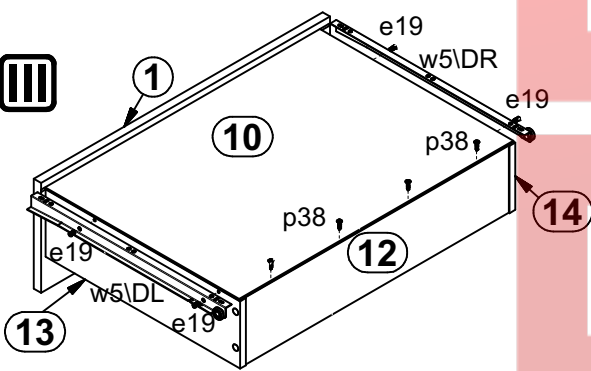
II



III



III



7

