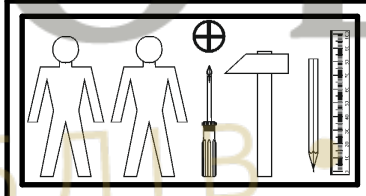
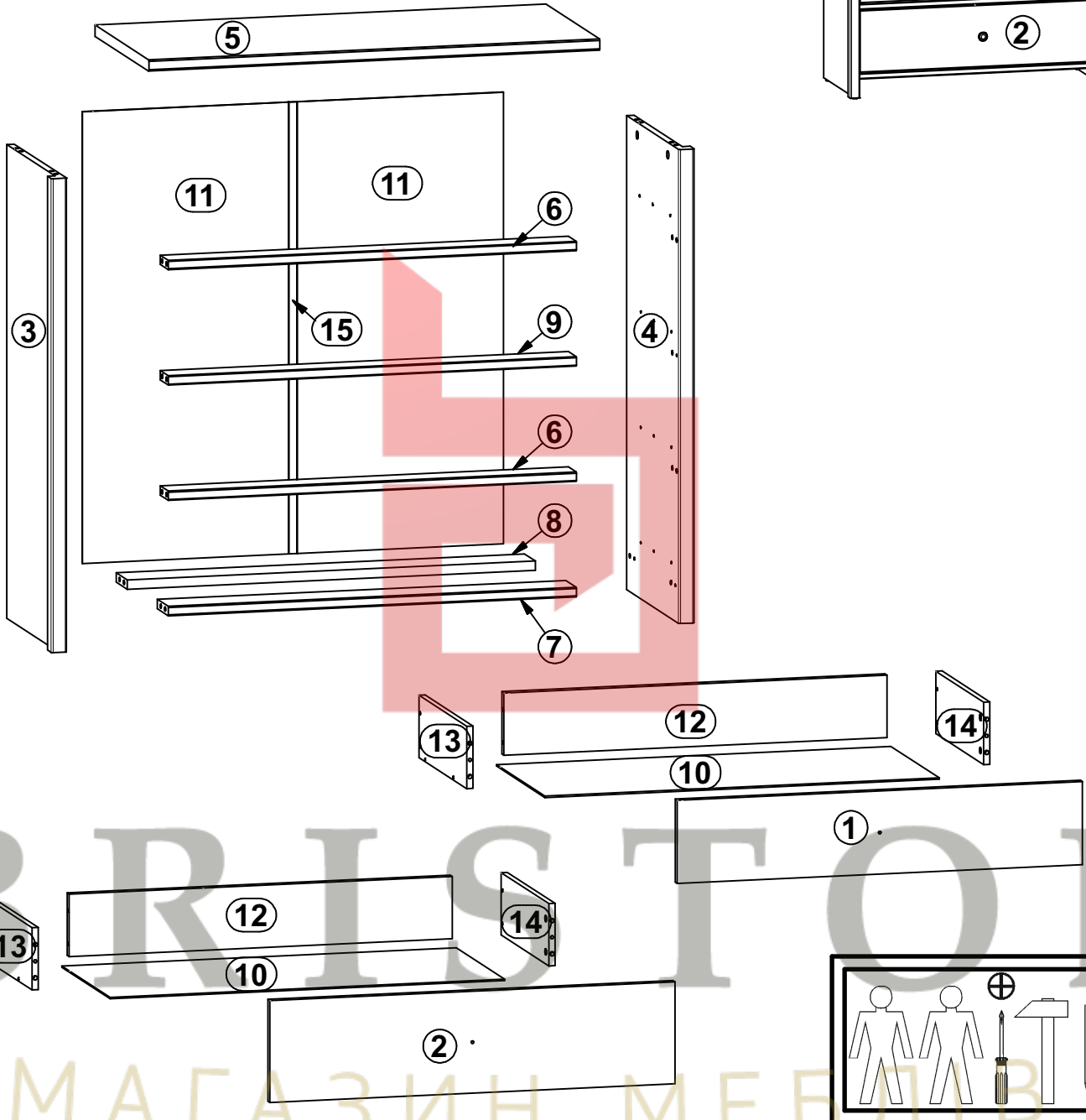


A

PORTO

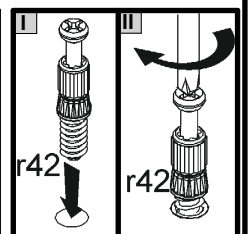
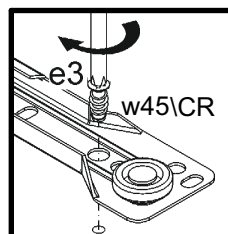
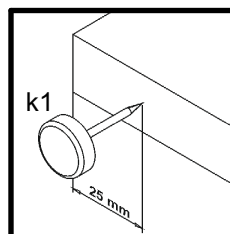
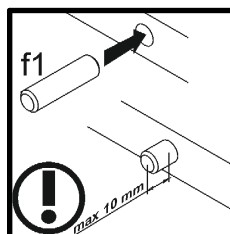
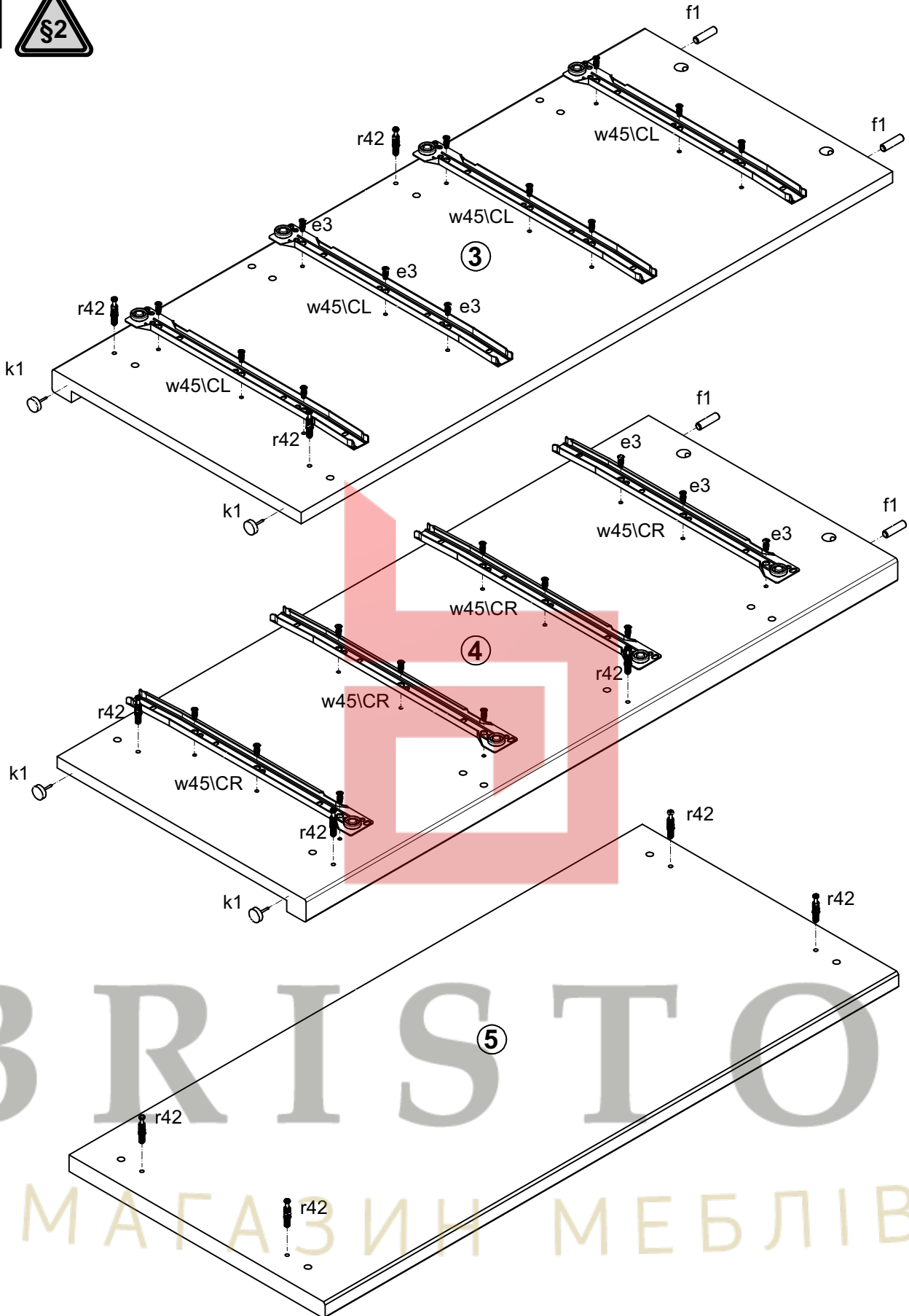
S322-KOM4S

A	B	C	D	A	B	C	D	
1	S322-0001	794	160	2/2	8	S322-4403	800 80	1/2
2	S322-0002	794	196	2/2	9	S322-4404	800 60	1/2
3	S322-1101	912	384	1/2	10	S322-9902	773 355	1/2
4	S322-1102	912	384	1/2	11	S322-9901	869 413	1/2
5	S322-2201	884	395	1/2	12	ZB-5506	743 120	1/2
6	S322-4401	800	60	1/2	13	BB-501	350 120	1/2
7	S322-4402	800	80	1/2	14	BB-502	350 120	1/2
					15	Lh-830	830 14	1/2

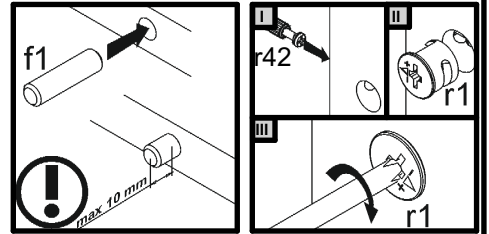
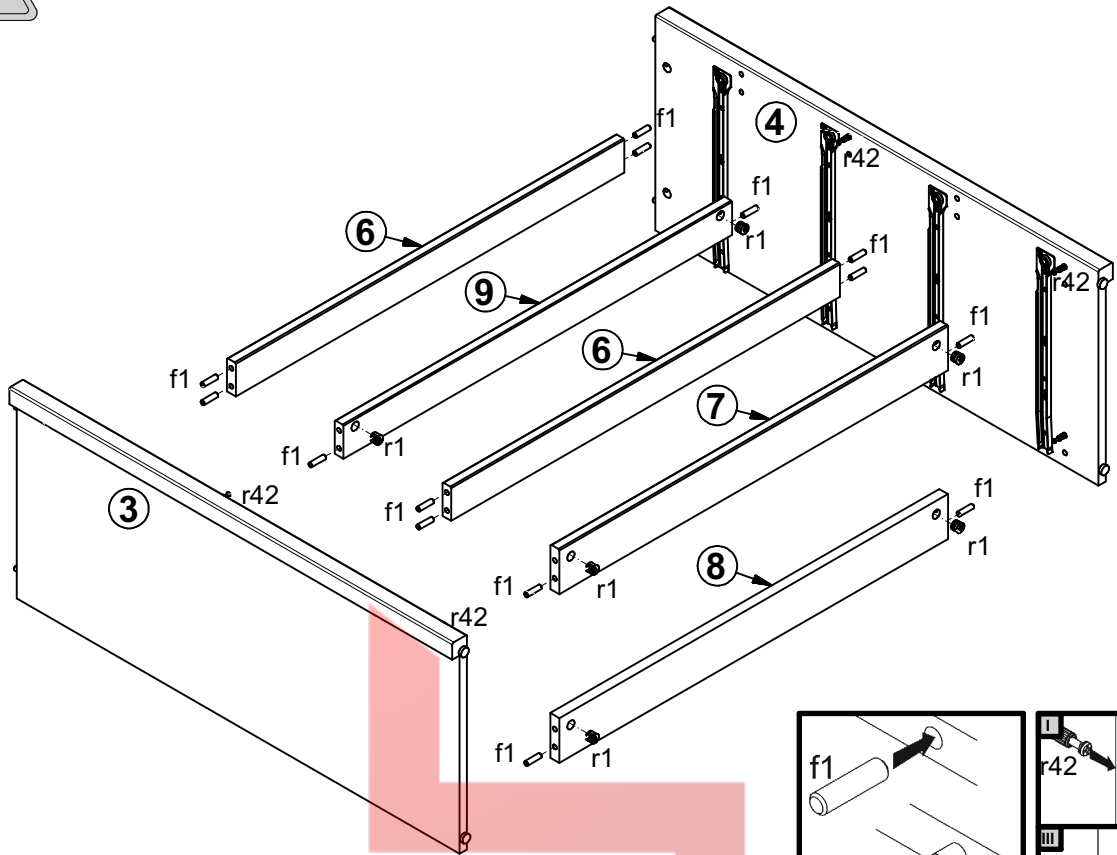


4x M4 c415	24x Ø6x13 mm e3	16x Ø5x9 mm e19	26x Ø8x30 mm f1	16x Ø6,5x40 mm f25	4x M4x20 mm j1	4x k1	35x l1	4x Ø3,5x16 mm p25
4x Ø3,5x10 mm p35	24x Ø3,5x16 mm p38	26x Ø15x12 mm #16 r1	26x 20/11 r42	4x 350 mm t35	4x 350 mm w45ICL	4x 350 mm w45ICR	4x 350 mm w45IDL	4x 350 mm w45IDR
2x Ø16 s2	1x n26\11	1x Ø3,5x16 mm p38						

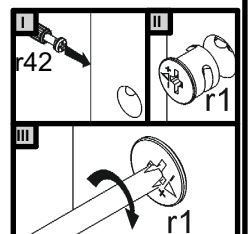
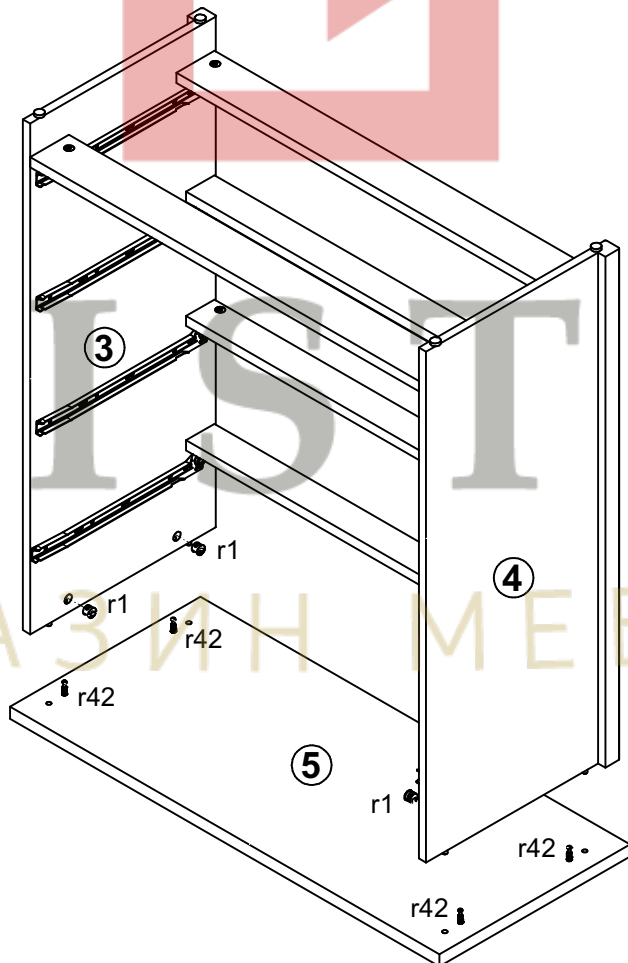
1 



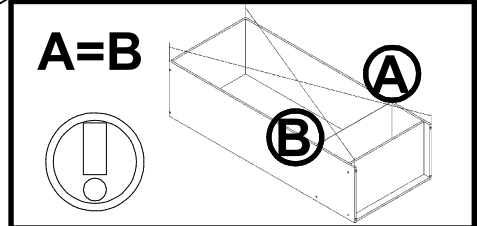
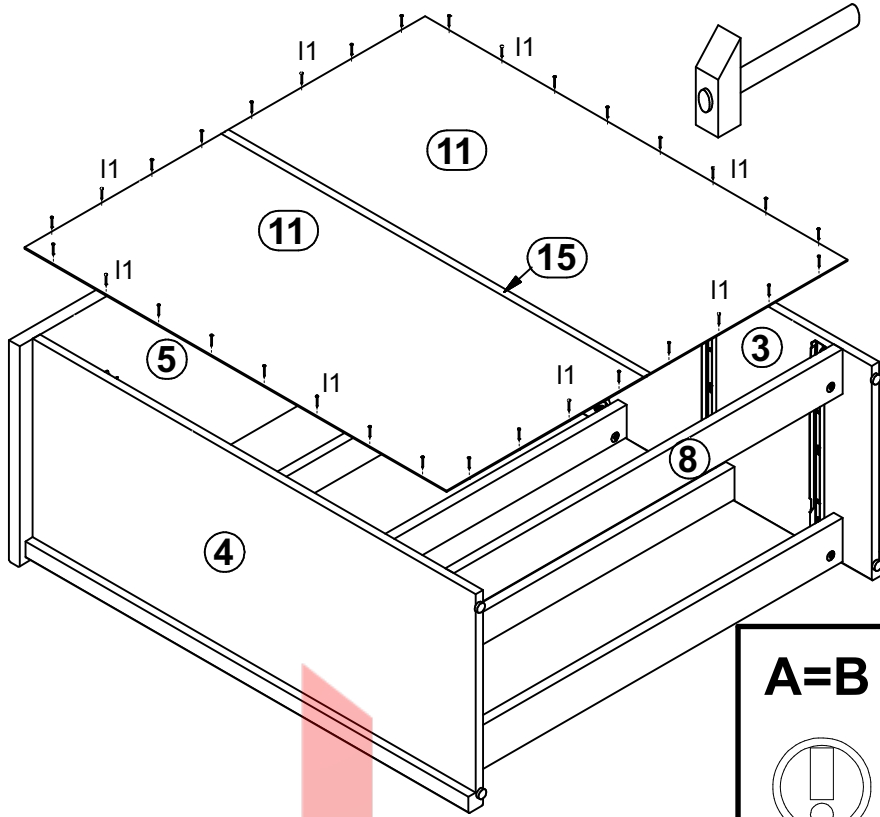
2 



3



4



5

