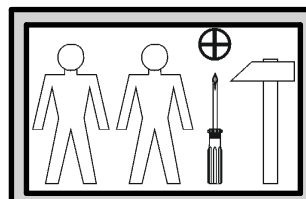
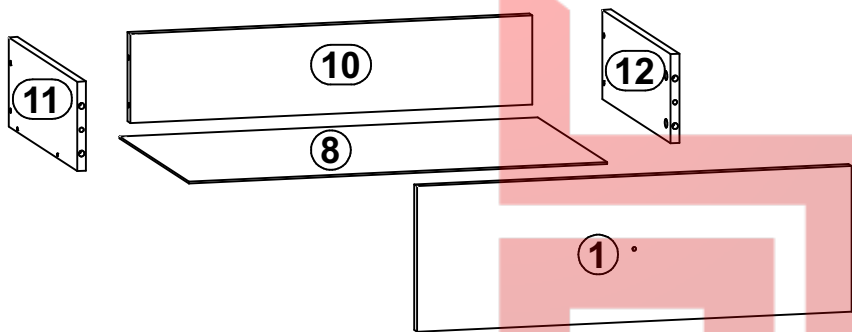
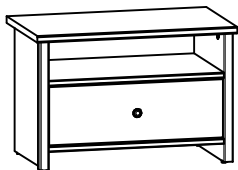
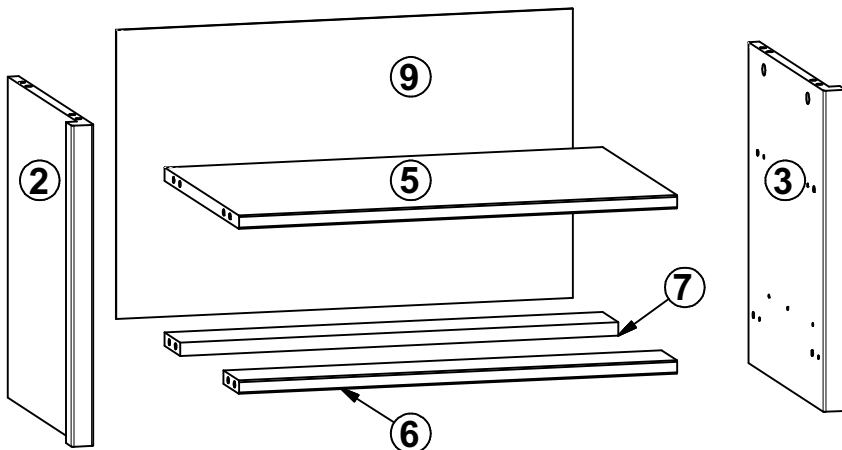
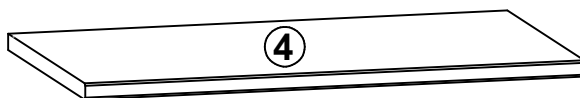
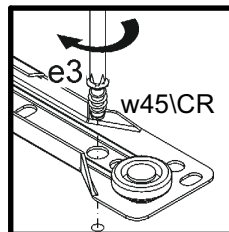
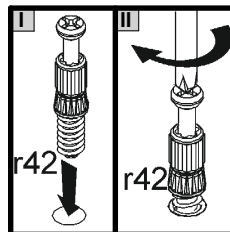
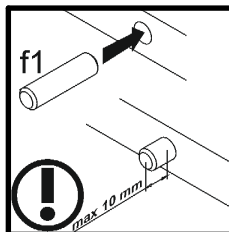
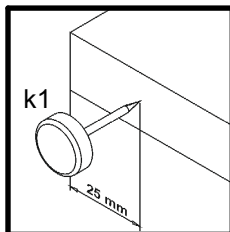
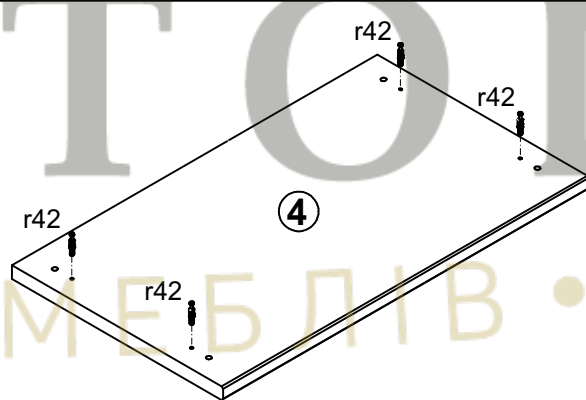
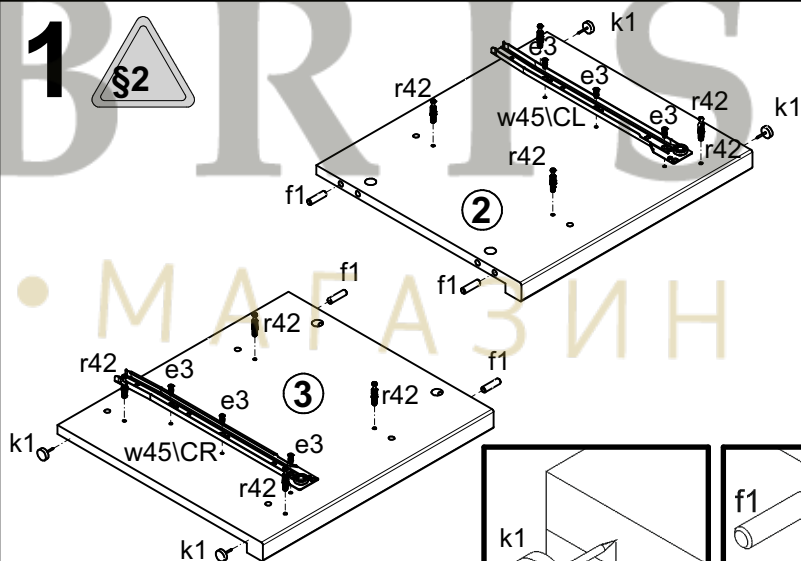


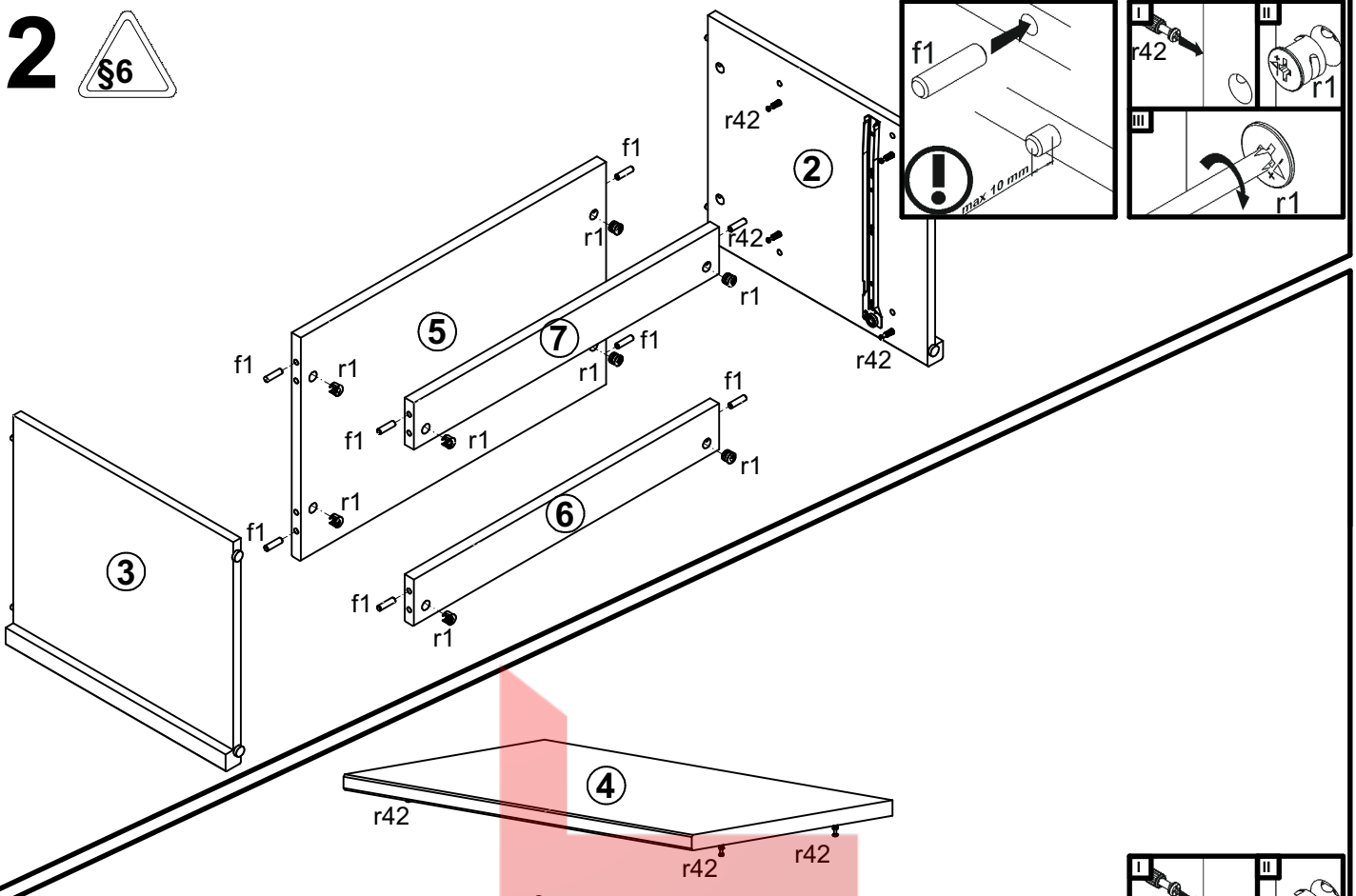
A	B	C	D	
1	S322-0024	594	196	2/2
2	S322-1133	432	384	1/2
3	S322-1134	432	384	1/2
4	S322-2211	684	395	1/2
5	S322-3318	600	381	1/2
6	S322-4415	600	80	1/2
7	S322-4432	600	80	1/2
8	S322-9928	573	355	1/2
9	S322-9929	389	627	1/2
10	ZB-5502	543	120	1/2
11	BB-501	350	120	1/2
12	BB-502	350	120	1/2



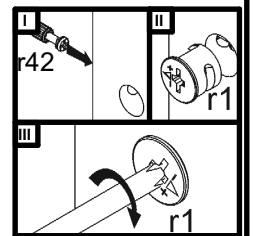
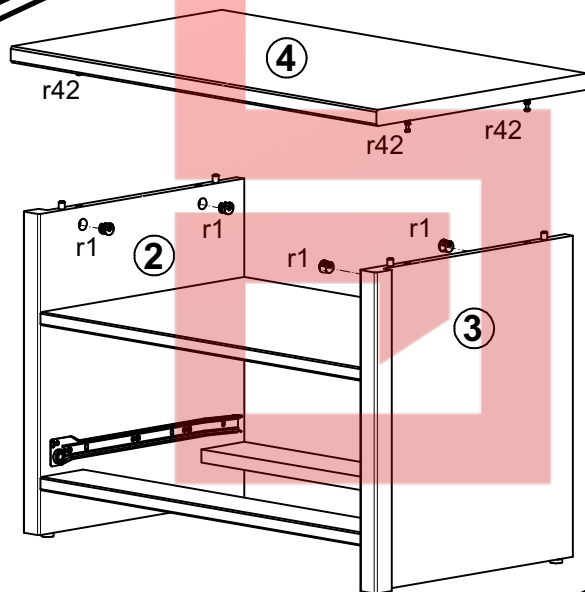
1x M4 c415	6x Ø6x13 mm e3	4x Ø5x9 mm e19	14x Ø8x30 mm f1	4x Ø6.5x40 mm f25	1x M4x20 mm j1	4x k1	30x l1	5x Ø3.5x16 mm p38
16x Ø15x12 mm #16 r1	16x 20/11 r42	1x 350 mm w45\CL	1x 350 mm w45\CR	1x 350 mm w45\DL	1x 350 mm w45\DR	4x Ø16 s2		



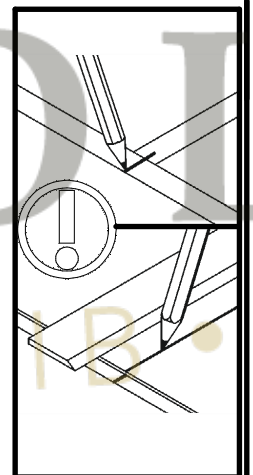
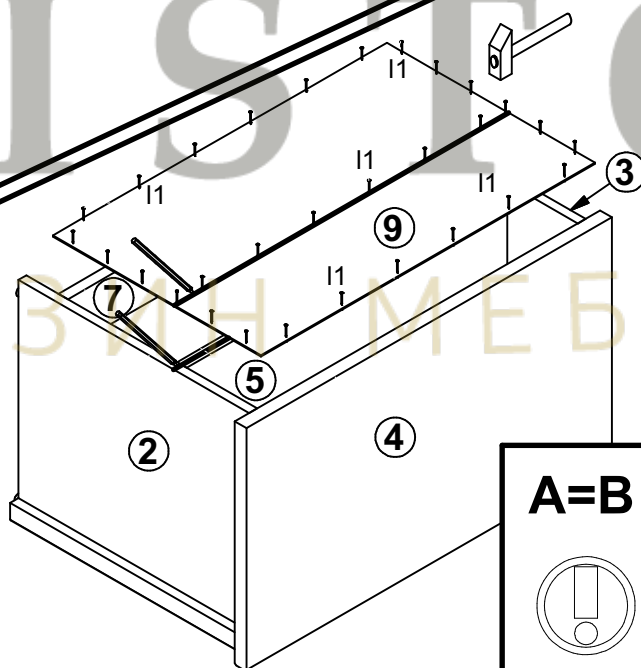
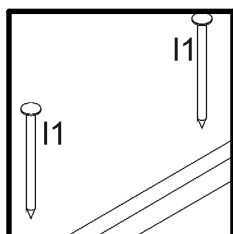
2 



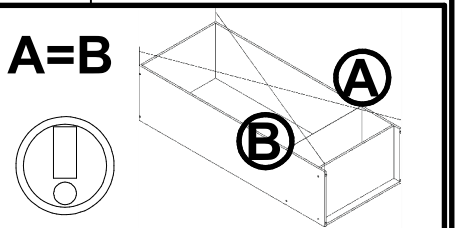
3



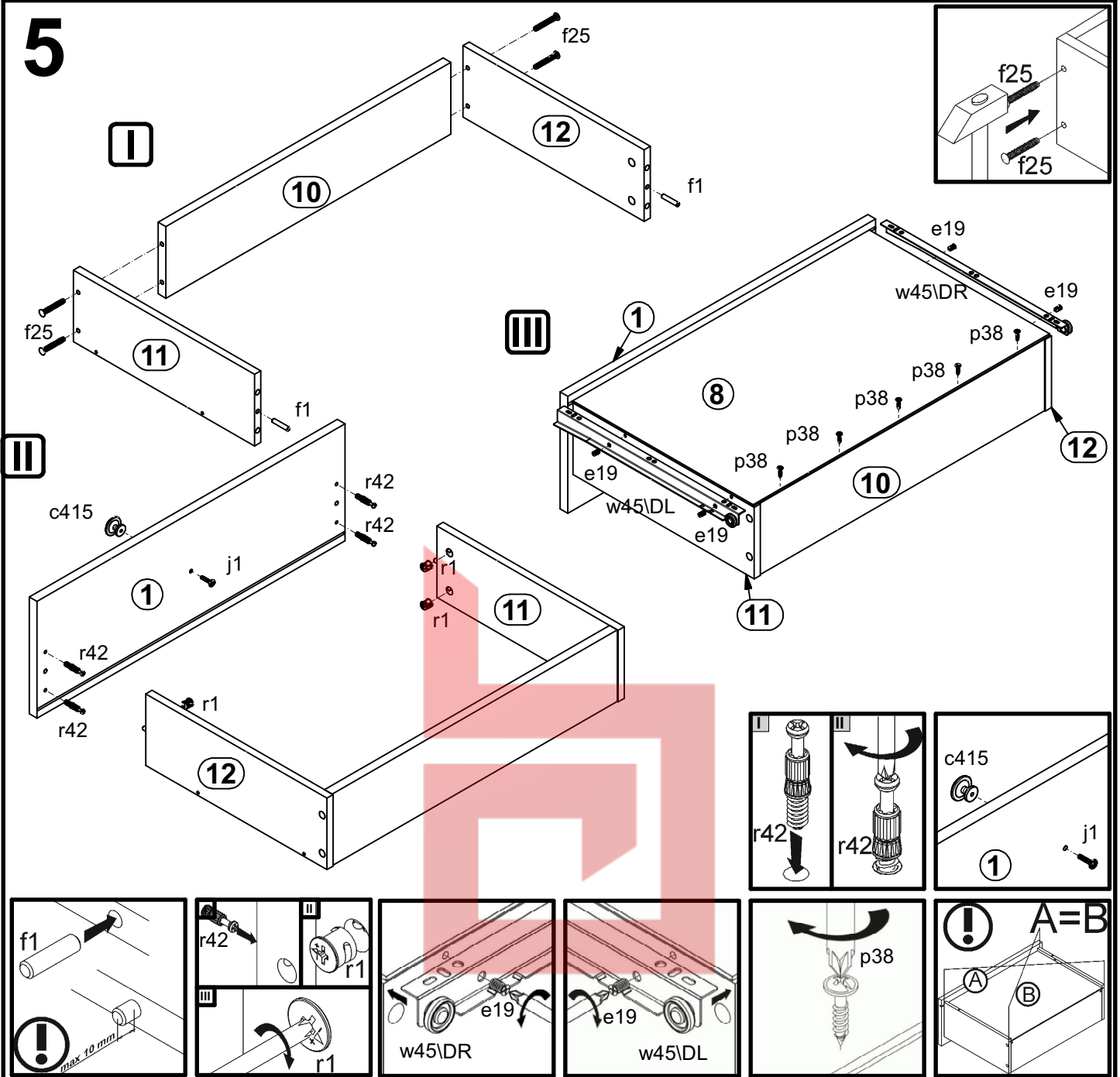
4



A=B



5



6

