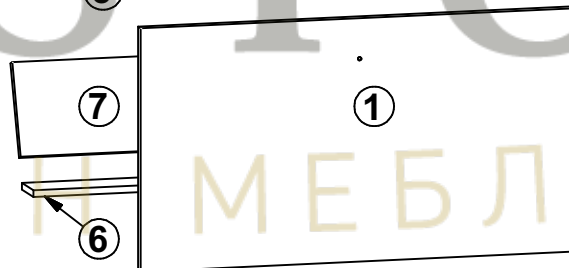
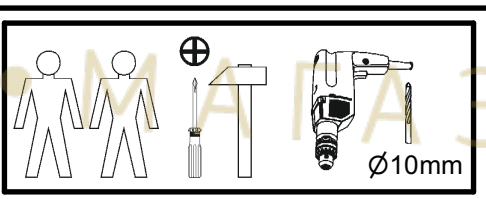
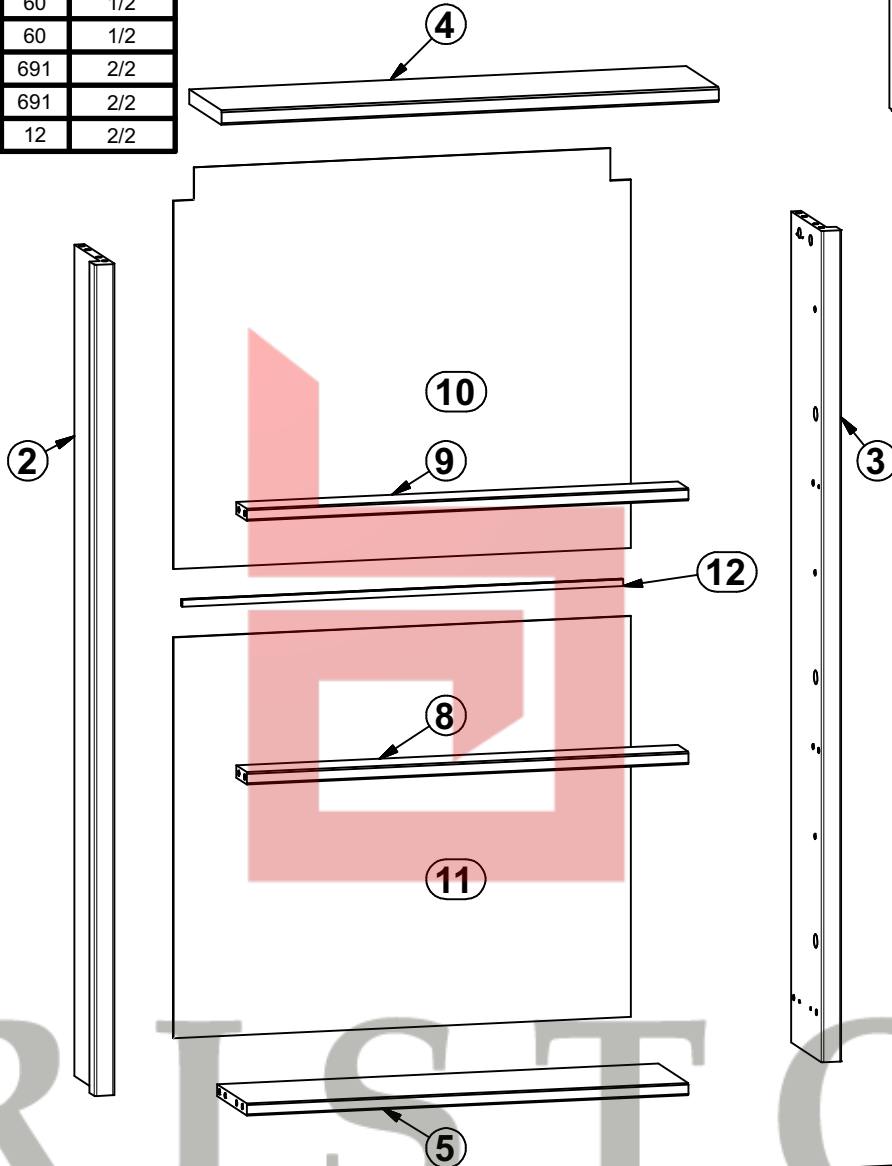
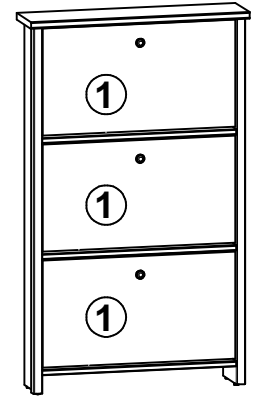
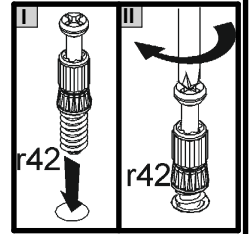
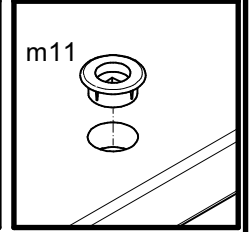
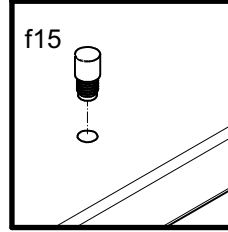
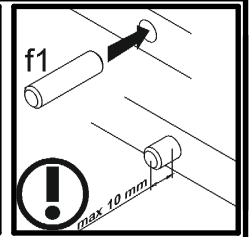
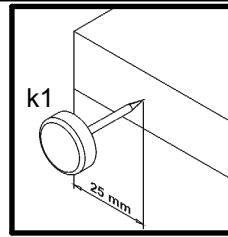
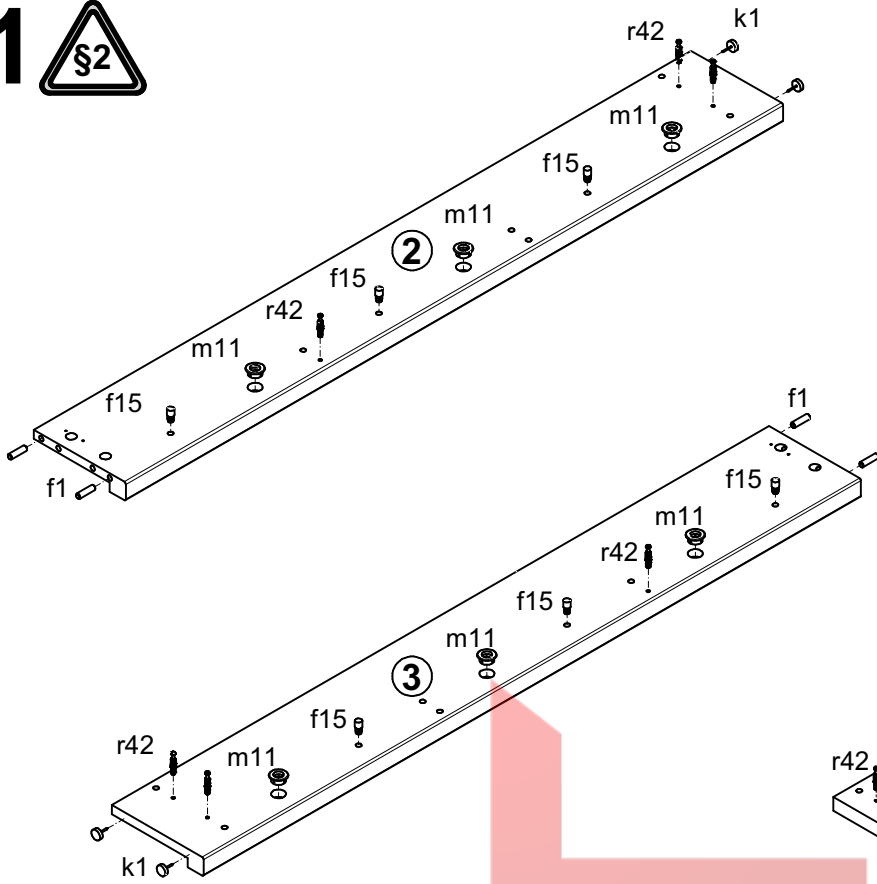


A	B	C		D
1	S322-0032	660	360	2/2
2	S322-1148	1230	172	1/2
3	S322-1149	1230	172	1/2
4	S322-2217	749	183	1/2
5	S322-3332	665	169	1/2
6	S322-4421	653	65	1/2
7	S322-4422	653	140	1/2
8	S322-4423	665	60	1/2
9	S322-4424	665	60	1/2
10	S322-9940	593	691	2/2
11	S322-9941	593	691	2/2
12	lh-664	664	12	2/2

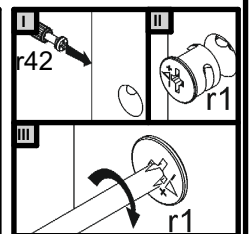
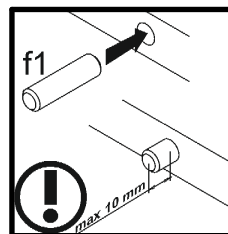
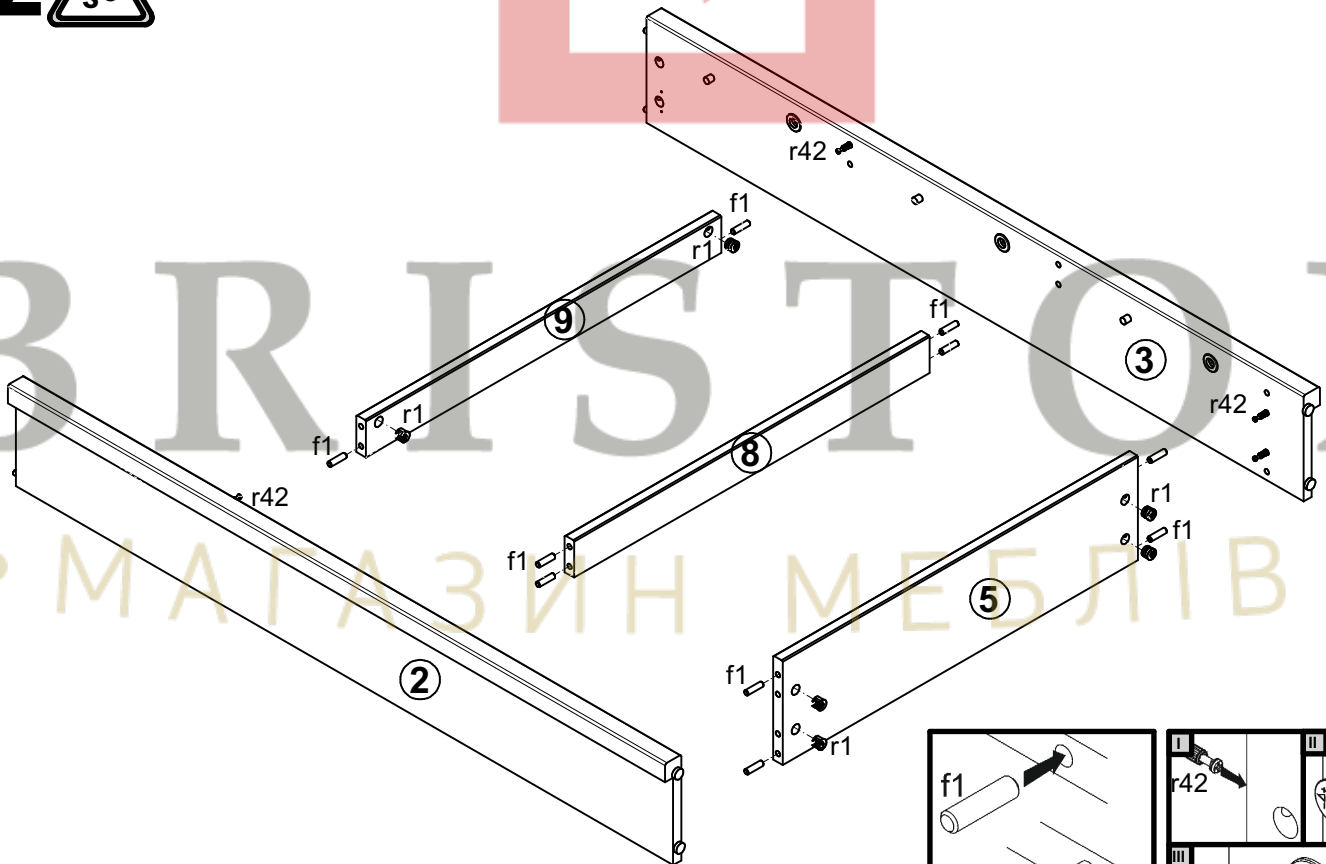


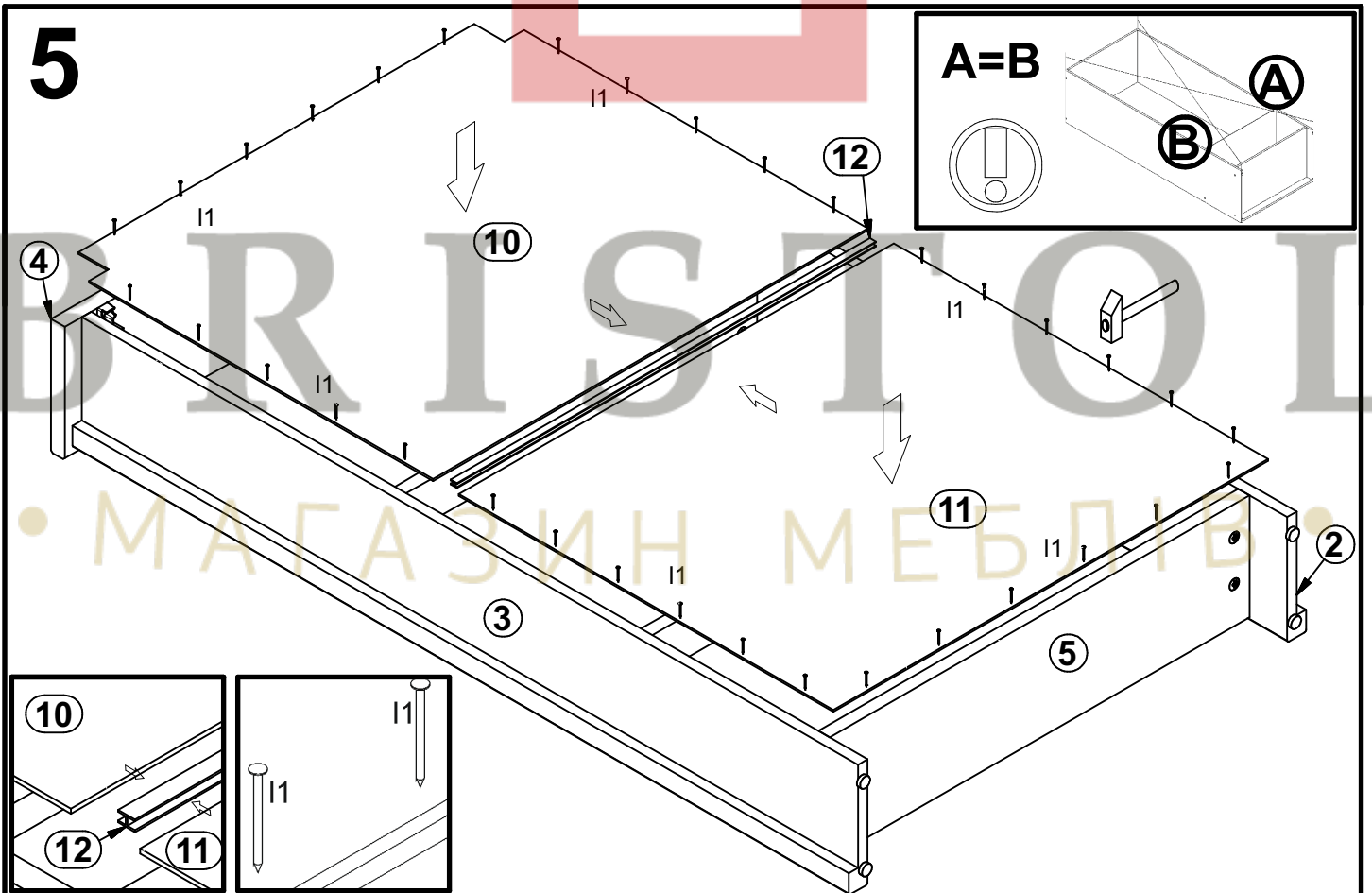
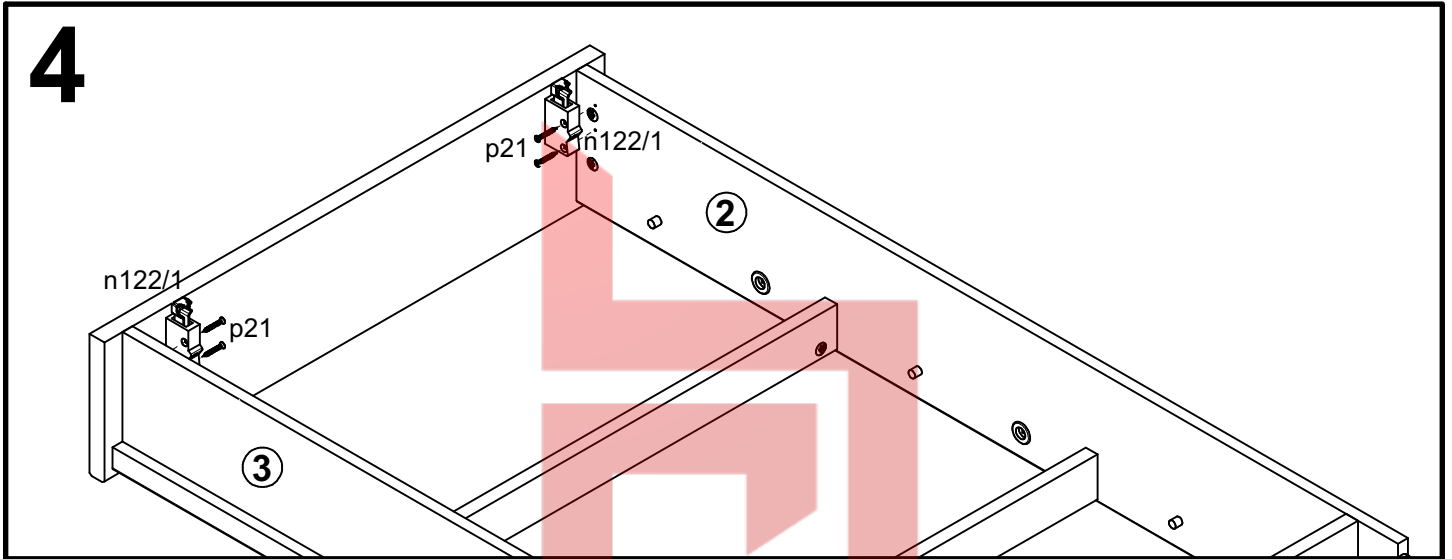
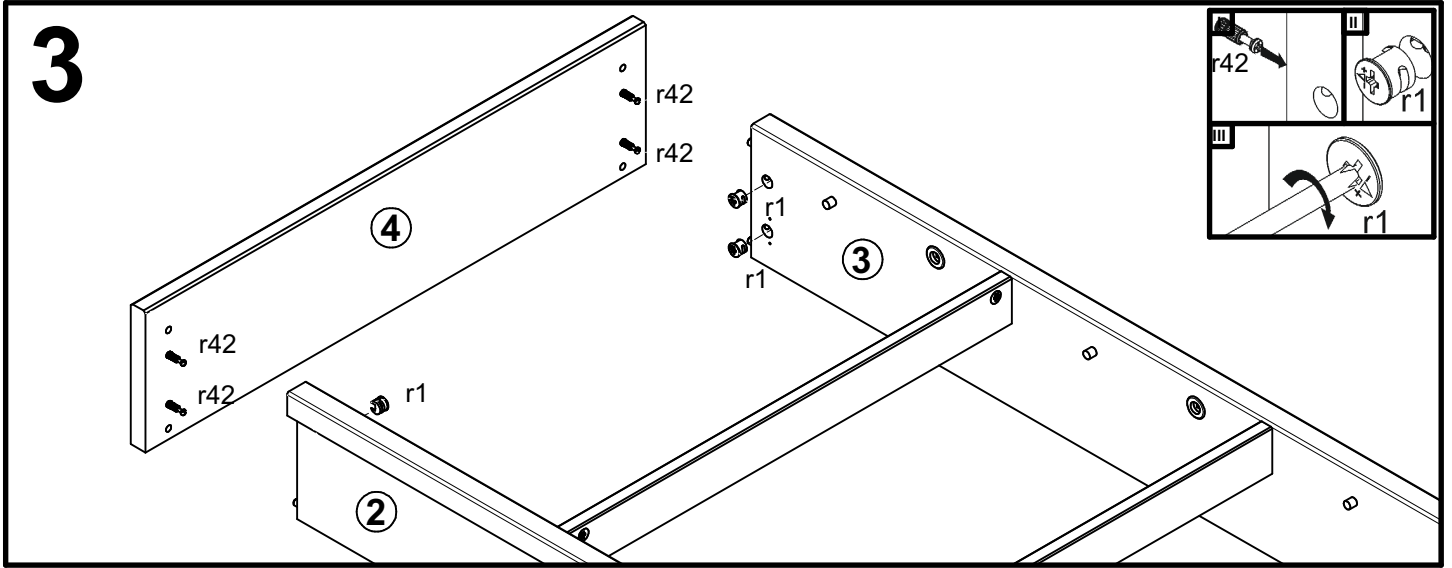
3x M4 c415	24x Ø6.3x13 mm e2	14x Ø8x30 mm f1	6x f15	4x Ø10x50 mm f35	3x M4x20 mm j1	4x k1	40x l1	6x m10
6x m11	3x m18\L	3x m18\P	2x n10	2x n122/1	24x Ø2.5x13 mm p15	4x Ø5x60 mm p17	4x Ø4x30 mm p21	10x Ø15x12 mm #16 r1
10x 20/11 r42	2x Ø16 s2							

1

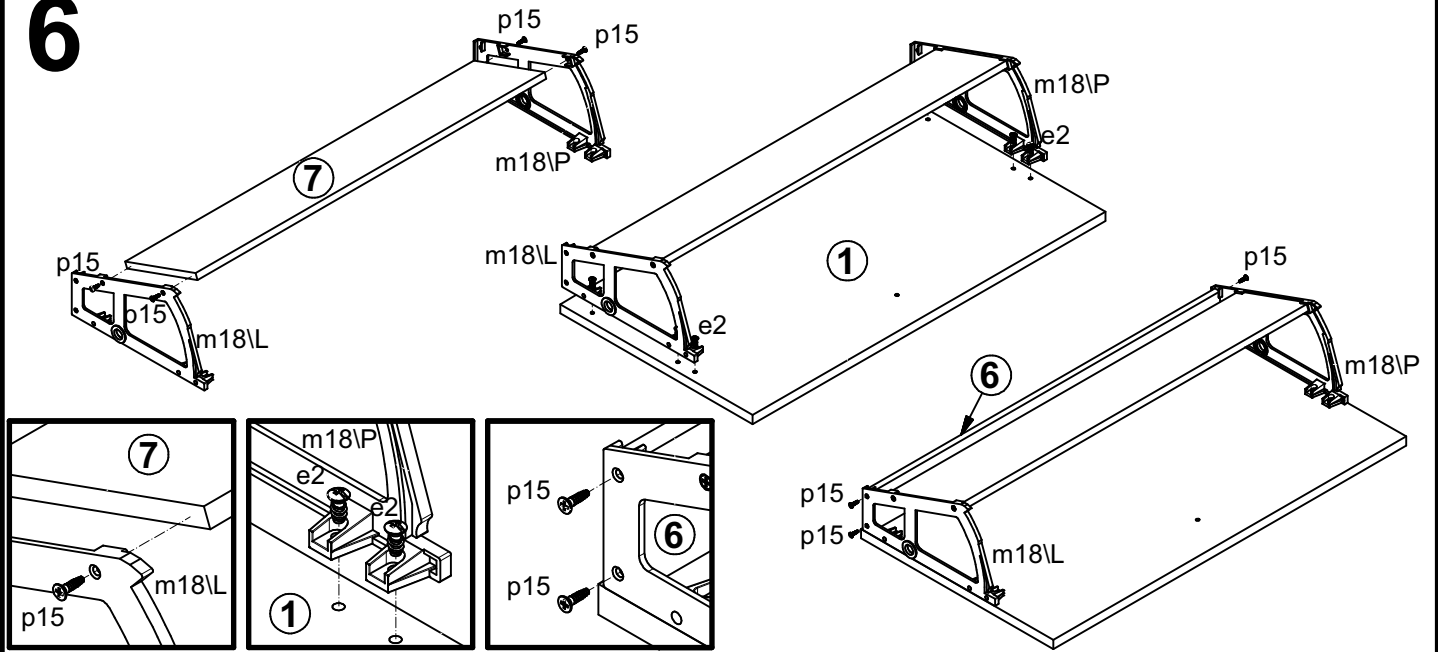


2





6



7

