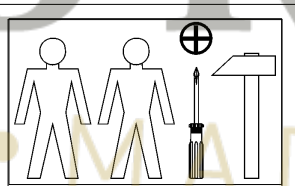
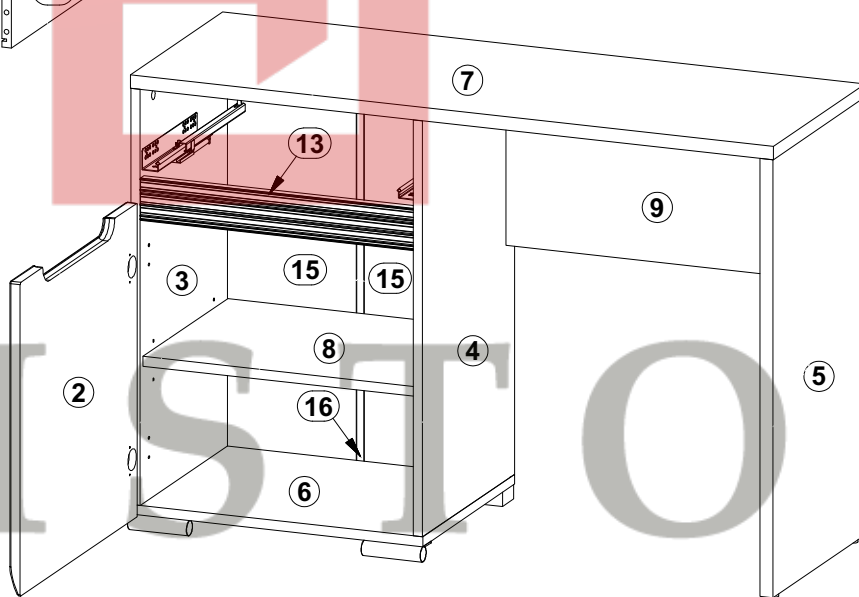
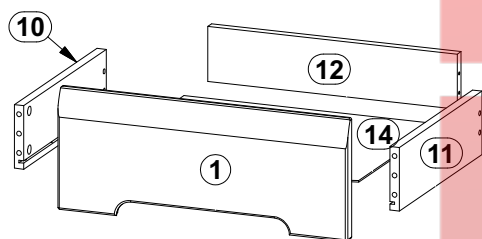
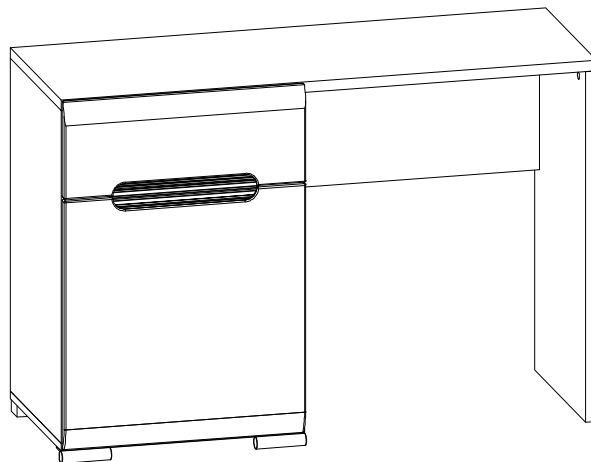
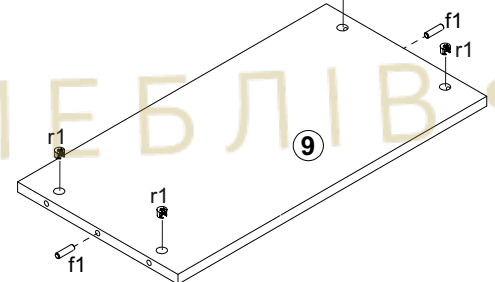
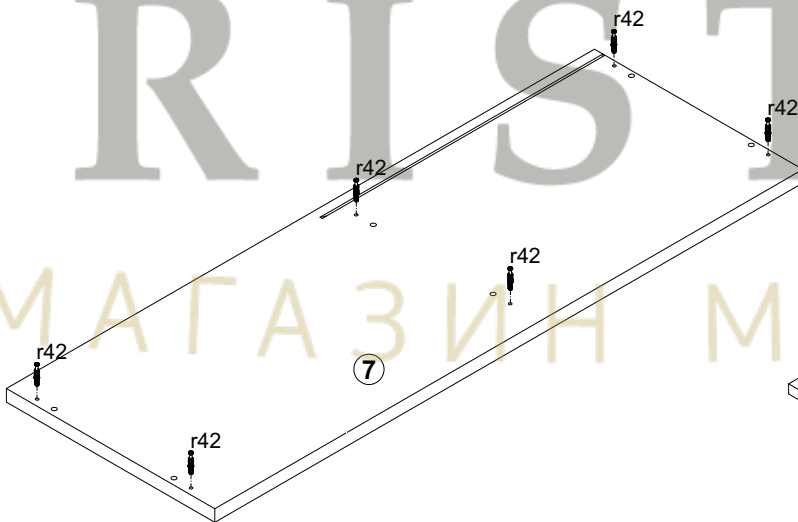
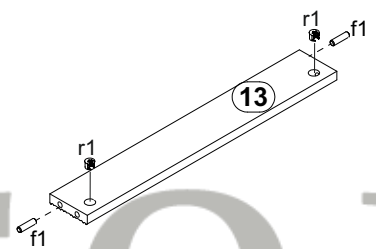
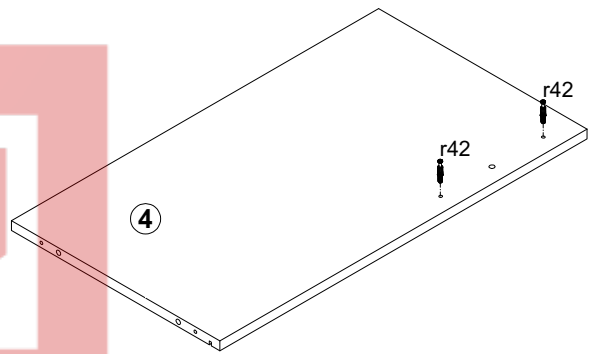
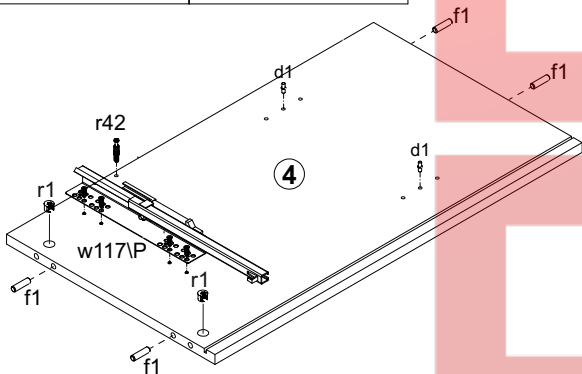
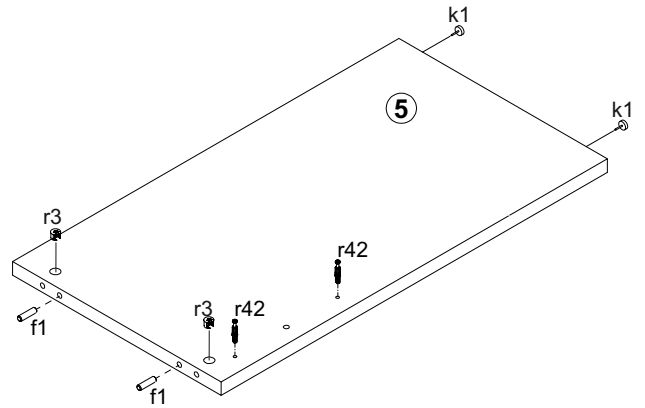
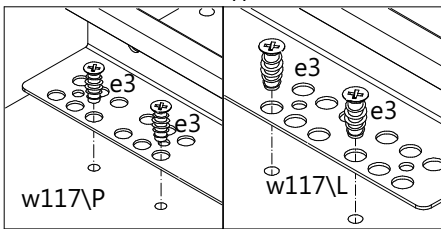
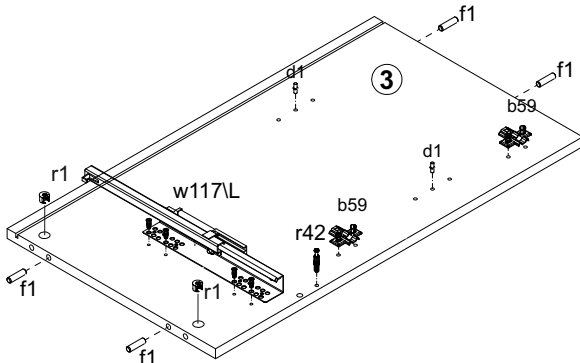
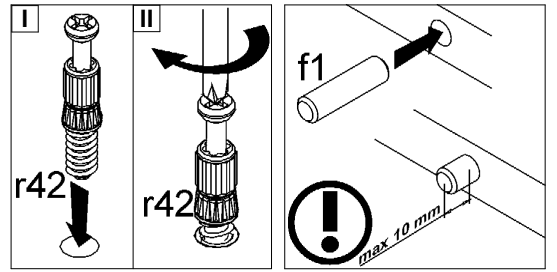


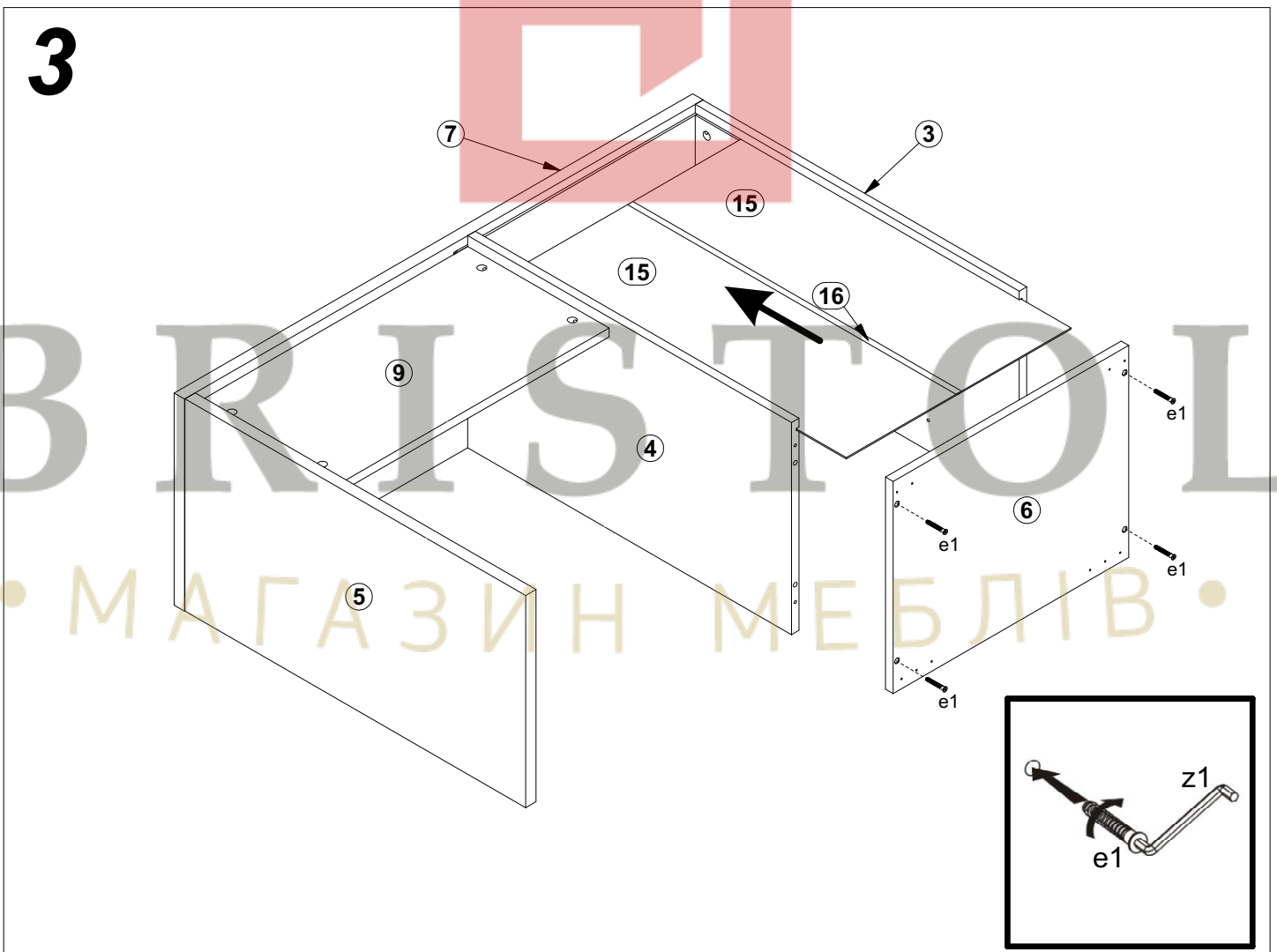
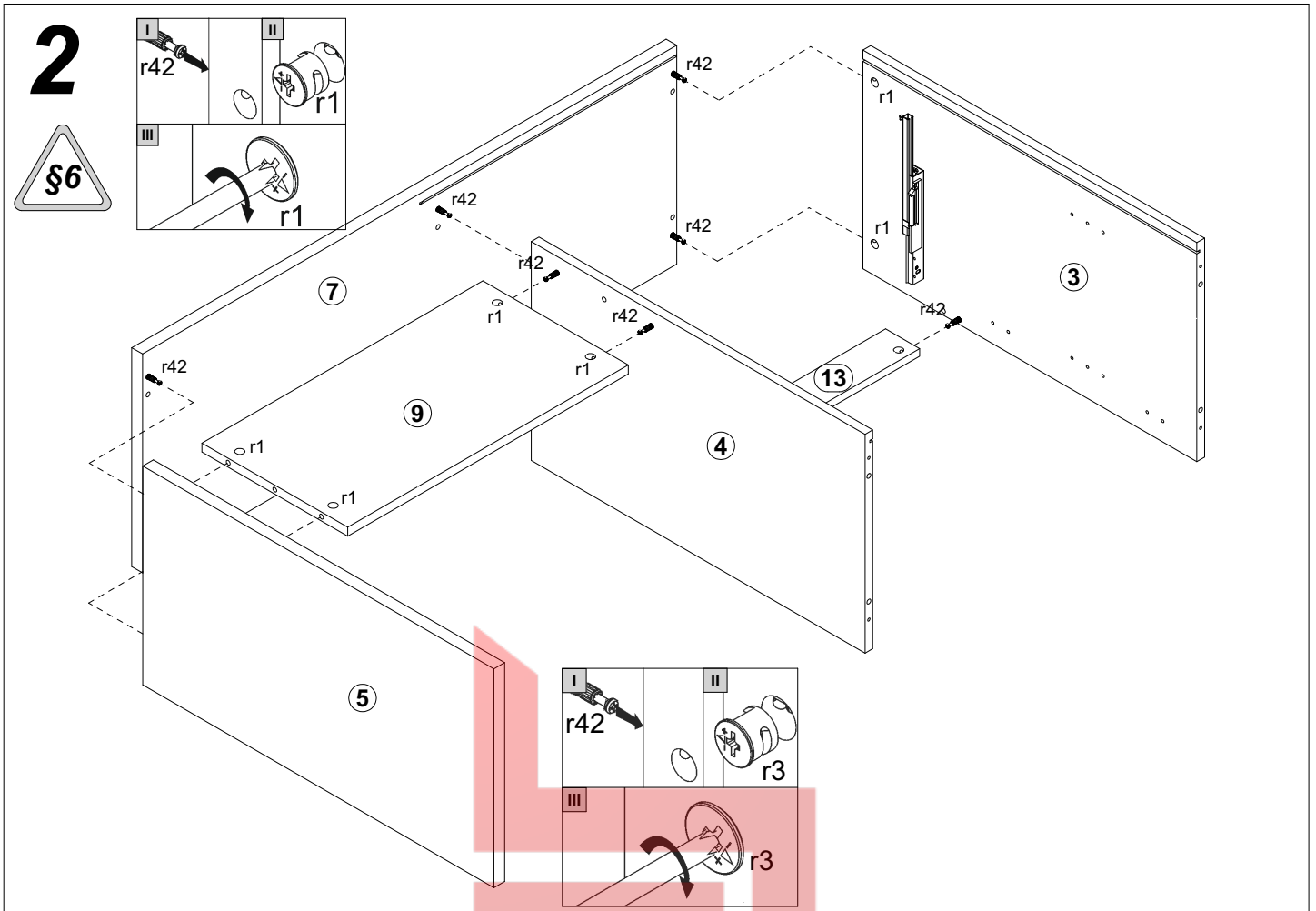
A	B	C	D	
1	S205-026	496	200	2/3
2	S205-044	518	496	2/3
3	S205-158	687	390	1/3
4	S205-159	687	390	1/3
5	S205-160	723	390	1/3
6	S205-220	500	390	1/3
7	S205-236	1100	390	1/3
8	S205-329	466	360	1/3
9	S205-415	578	300	1/3
10	S205-501	350	105	1/3
11	S205-502	350	105	1/3
12	S205-509	427	91	1/3
13	S205-574	467	70	2/3
14	S205-920	441	358	1/3
15	S205-921	697	238	1/3
16	Lh-680	680	14	1/3



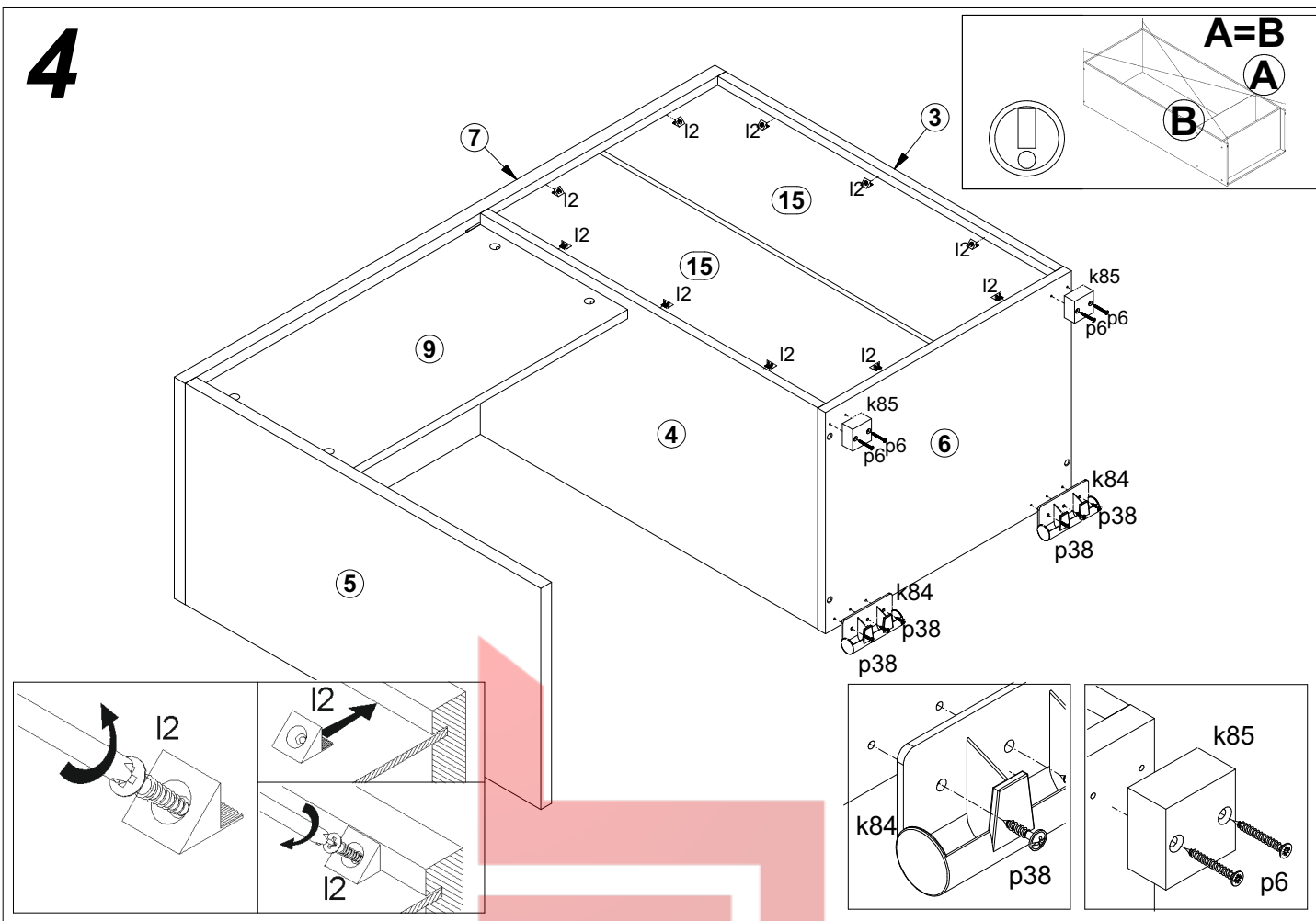
2x a102	2x b59	4x p51 ø3,5x15 mm	10x p38 ø3,5x16 mm	6x s2 ø16	8x s4 ø5	4x d1 ø5x17 mm	4x k1	1x z1
8x e1 ø7x50 mm	8x e3 ø6x13 mm	16x f1 ø8x30 mm	2x k84	2x k85	10x l2	4x p6 ø4x35 mm	2x 50 mm W117\ L	2x 50 mm W117\ P
2x p55 ø2,9x16 mm	14x r1 ø15x12 mm #16	2x r3 ø15x15 mm #22	16x r42					

1 

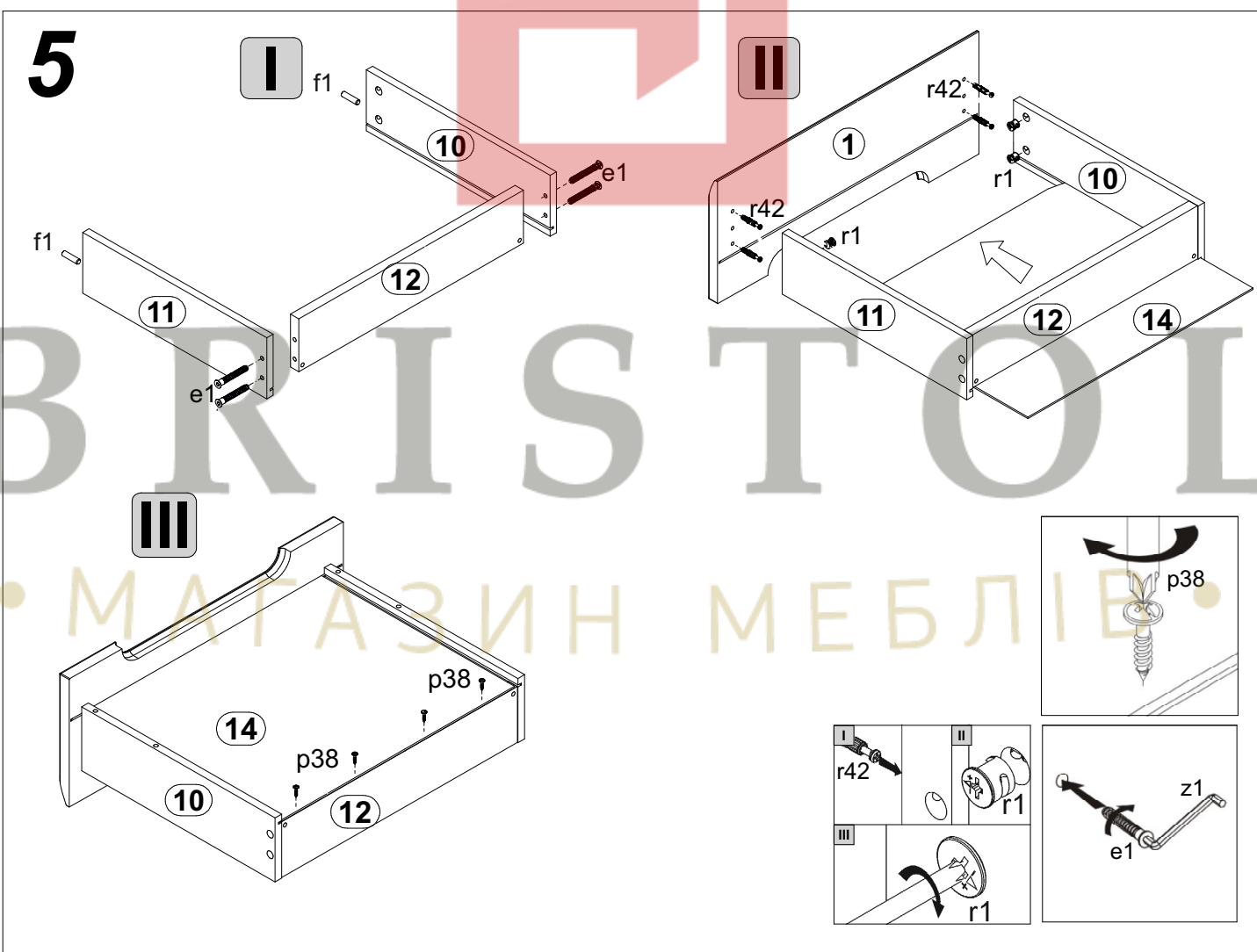




4



5



6

