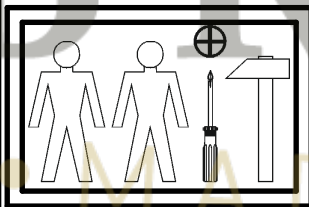
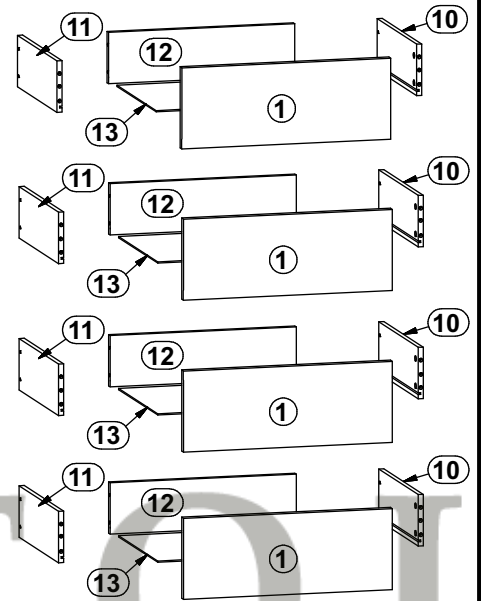
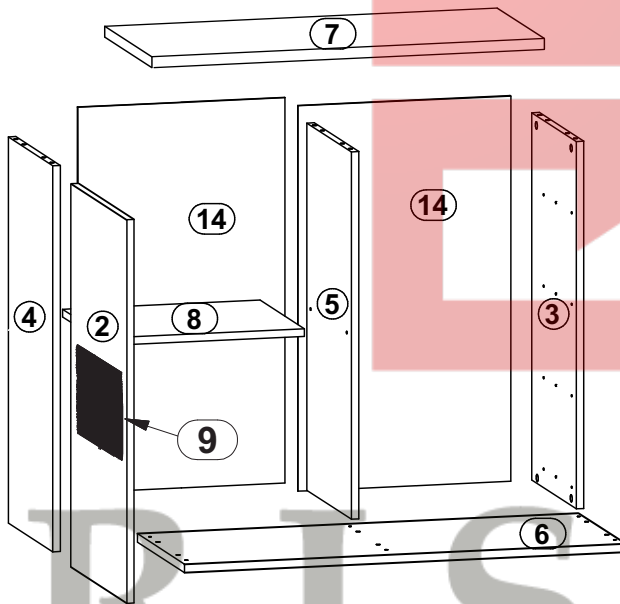
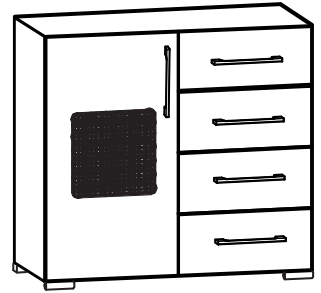
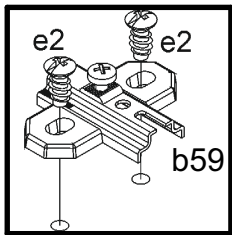
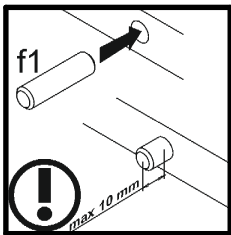
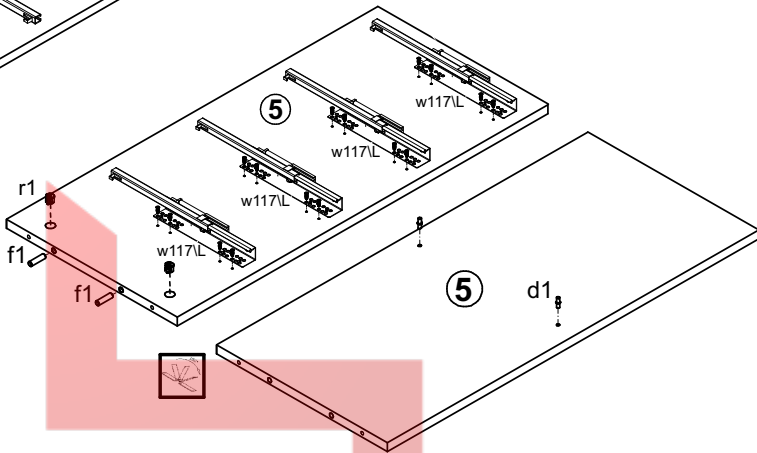
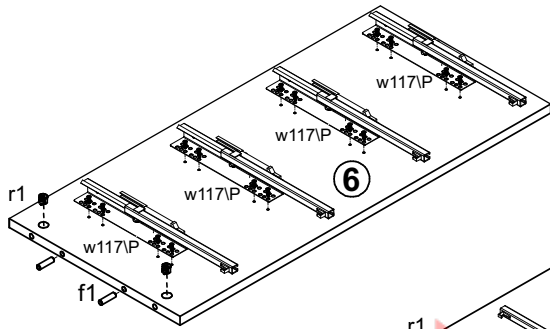
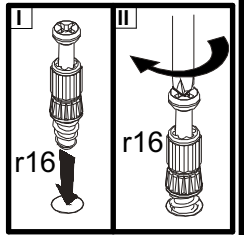
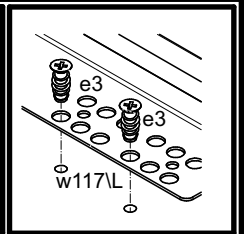
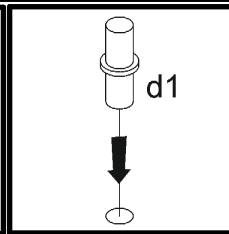
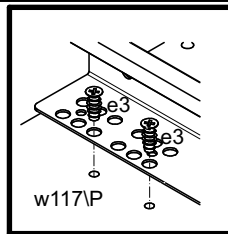
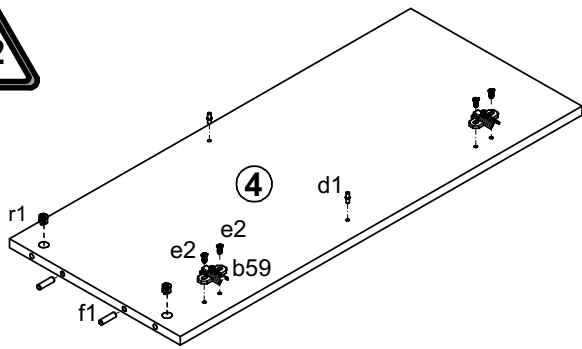


A	B	C		D
1	N45-005	446	200	2/2
2	N45-001	809	446	2/2
3	N45-102	815	390	1/2
4	N45-103	815	390	1/2
5	N45-104	815	370	1/2
6	N45-204	900	408	1/2
7	N45-203	900	408	1/2
8	N45-301	425	360	1/2
9	N45-701	300	300	2/2
10	N45-502	350	105	1/2
11	N45-501	350	105	1/2
12	N45-504	385	91	1/2
13	N45-902	399	358	1/2
14	N45-903	825	438	1/2

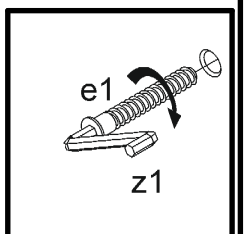
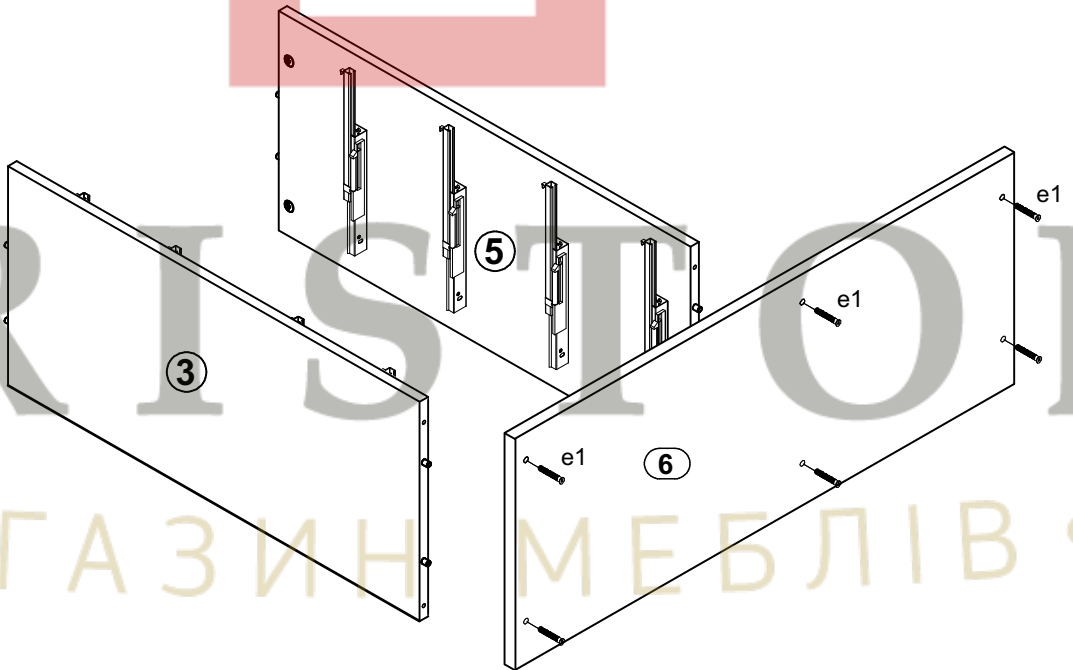


2x a102	2x b59	4x φ5x17 mm d1	22x φ7x50 mm e1	32x φ8x13 mm e3	20x φ8x30 mm f1	2x k84	3x k85	6x φ4x35 mm p6
1x n2611	23x φ3.5x16 mm p38	4x φ3.5x15 mm p51	22x φ1.5x12mm #16 r1	22x r42	12x l2	6x 20x13x3.5 n108	12x φ2.9x16 mm p55	1x z1
4x 50 mm W117/L	4x 50 mm W117/P	5x 128 mm c280	10x M4x25 mm j8	1x φ10x50mm f35	1x φ5x60mm p17	18x φ16 s2		

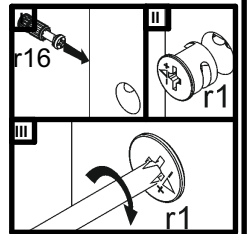
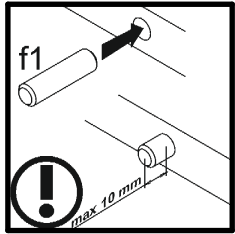
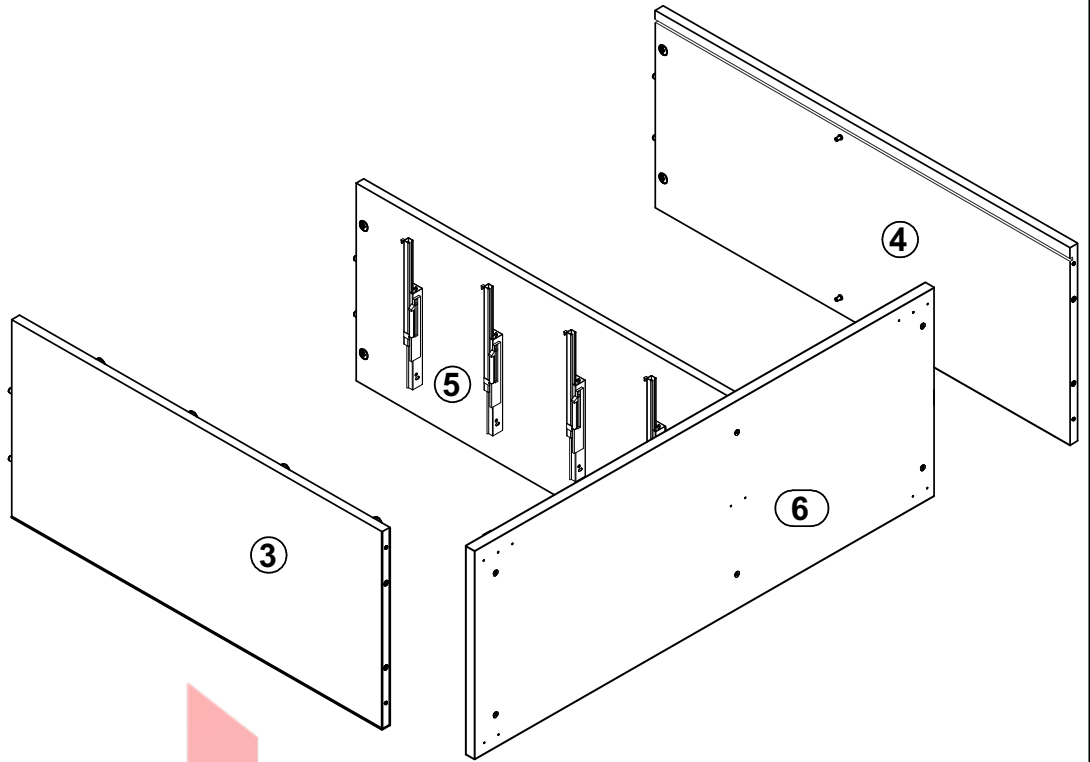
1 



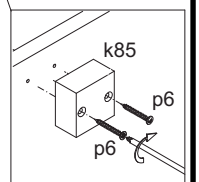
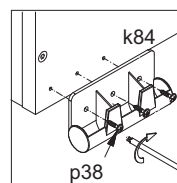
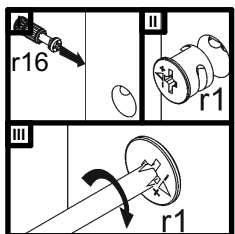
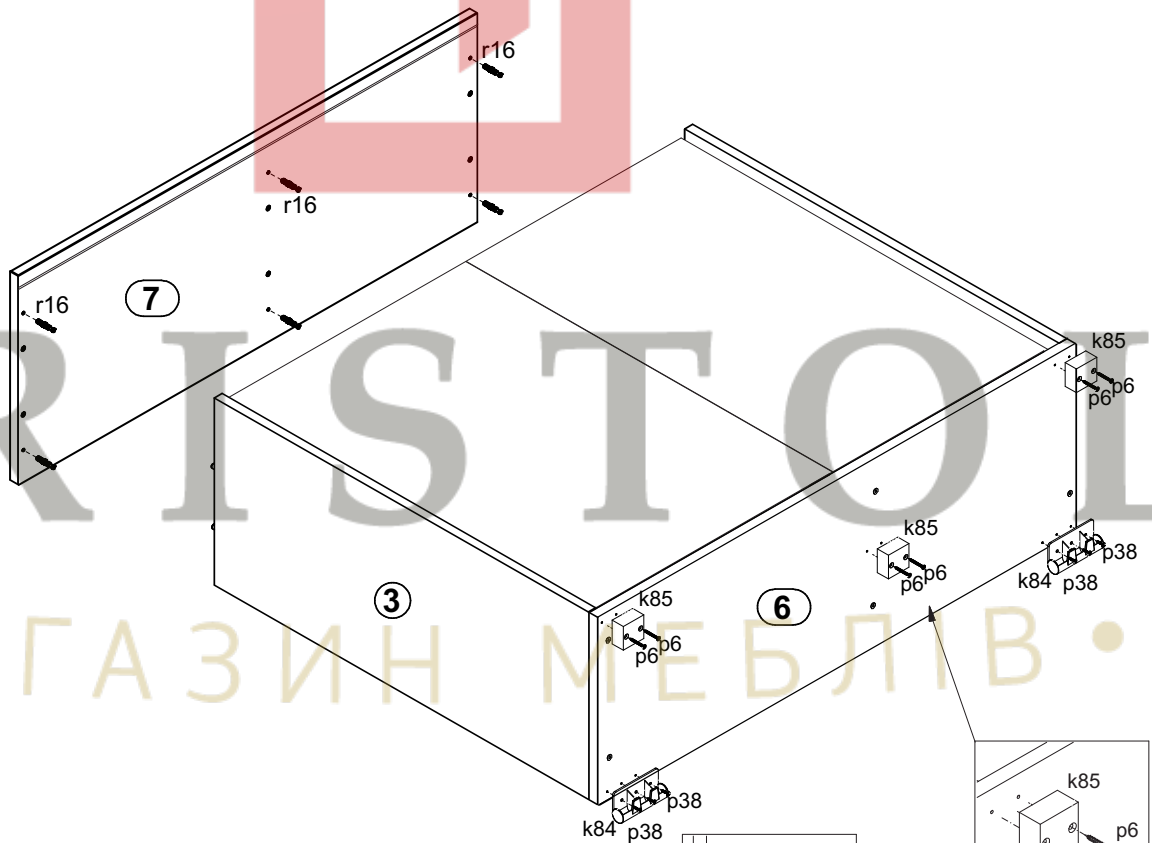
2 



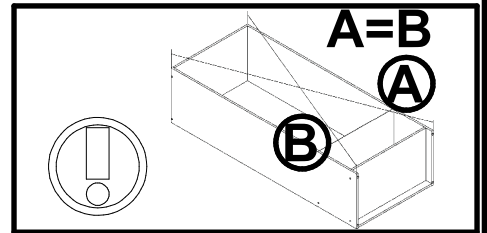
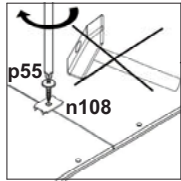
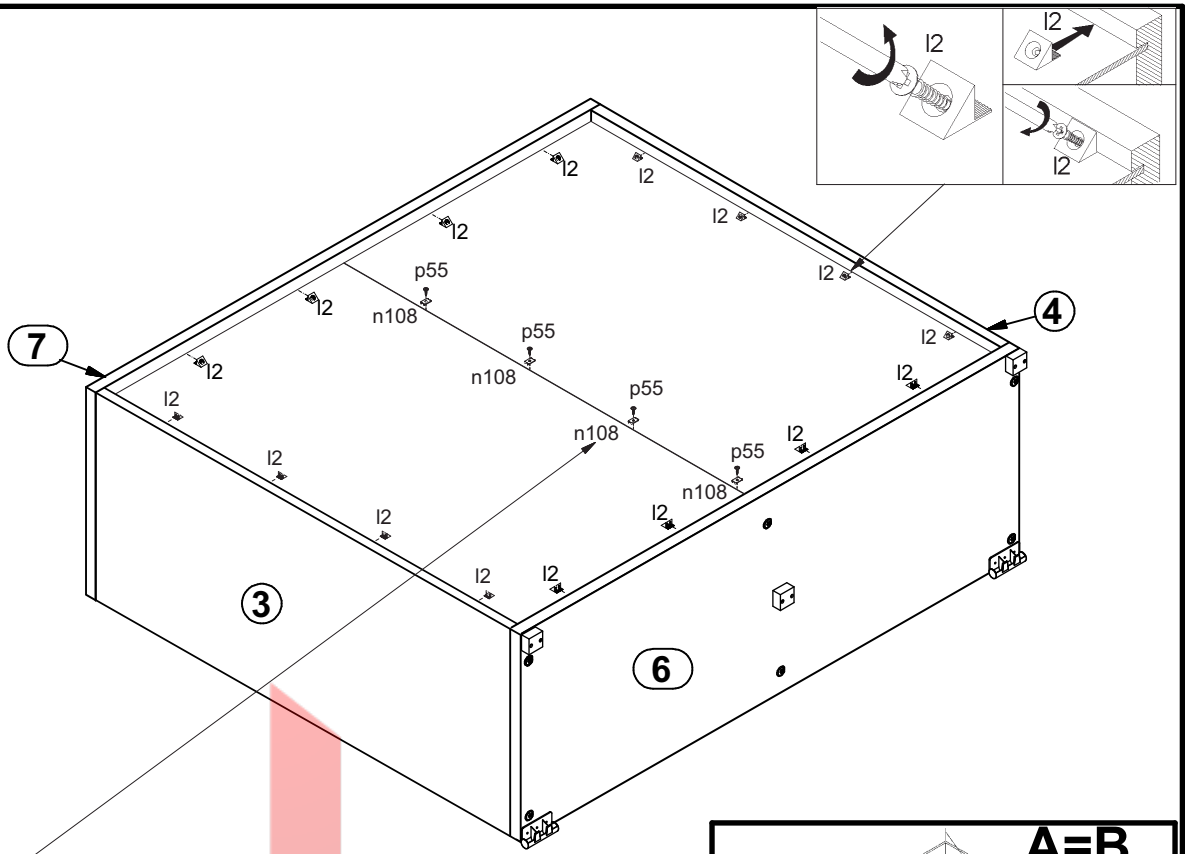
3



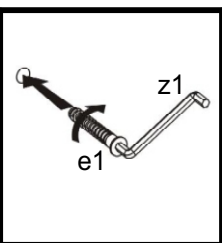
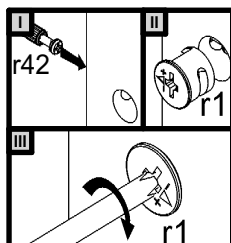
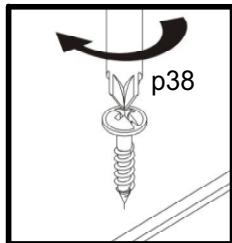
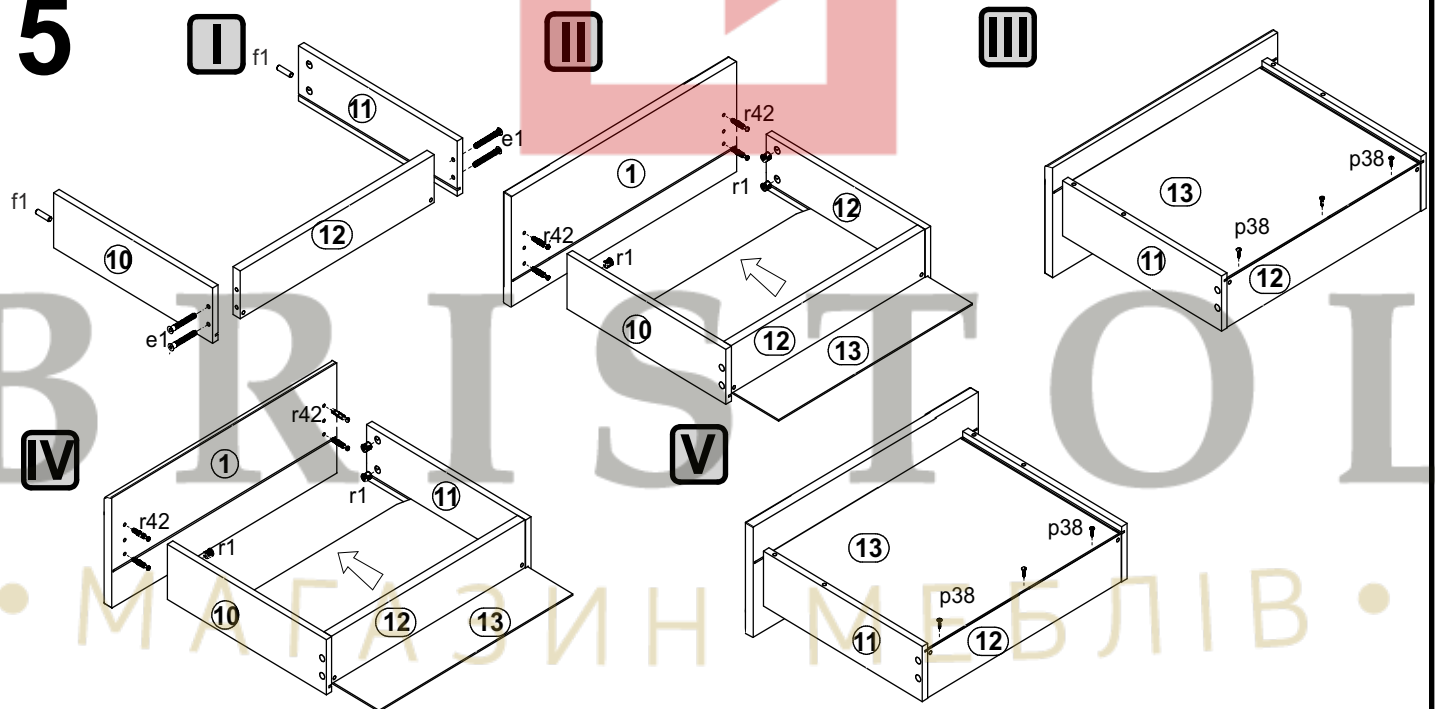
4



5



5



6

