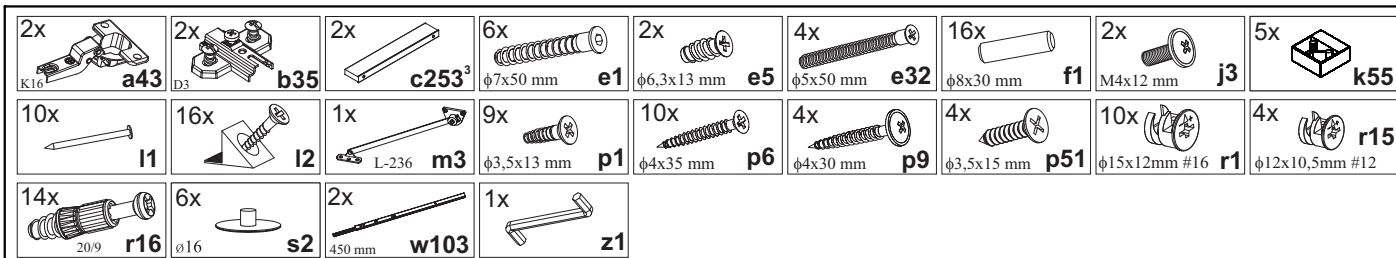
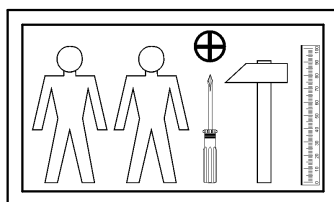
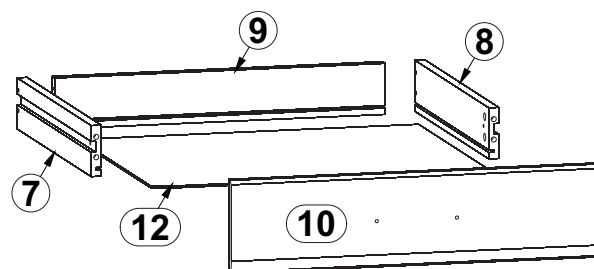
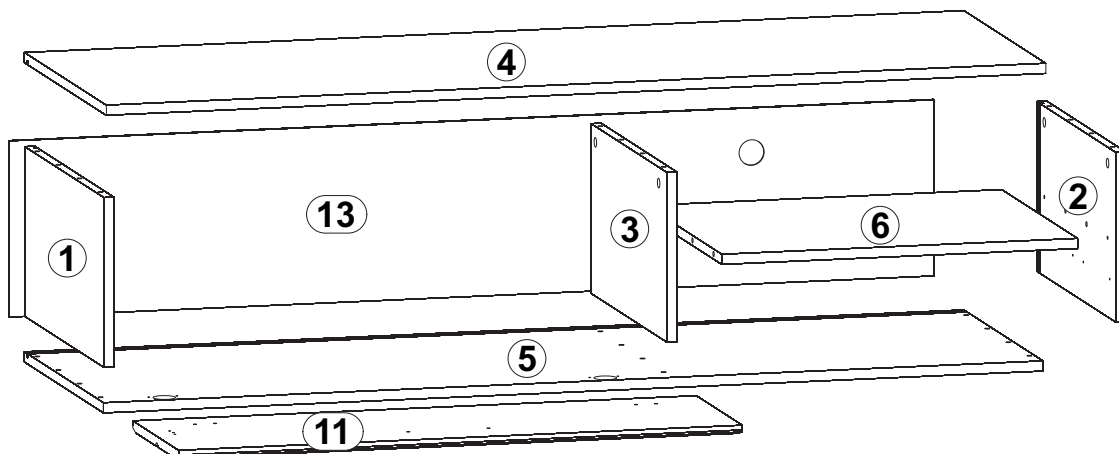
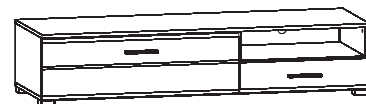


# ВУШЕР

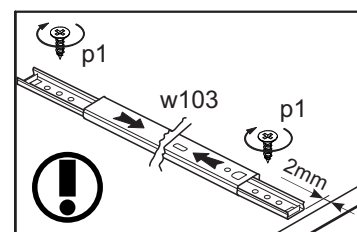
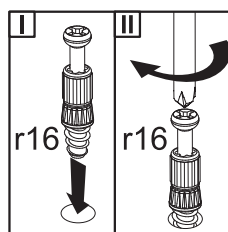
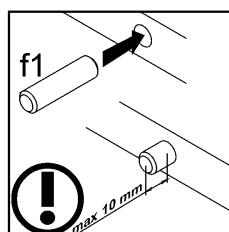
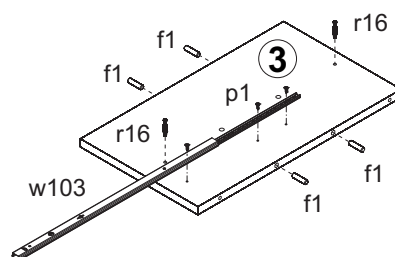
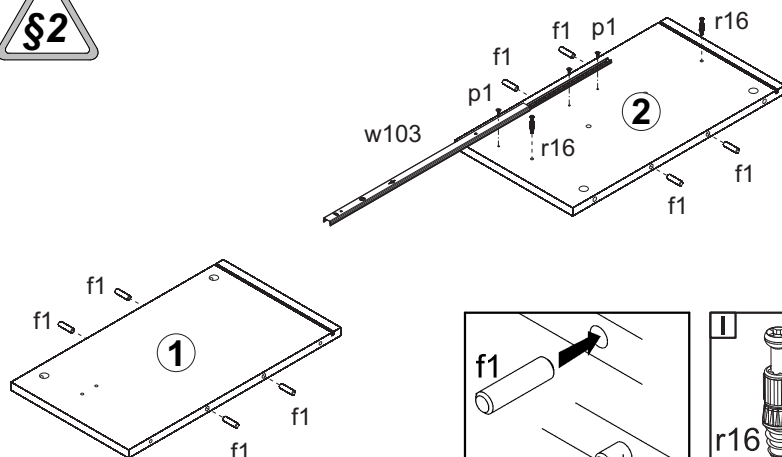
Тумба\_RTV1D1SL

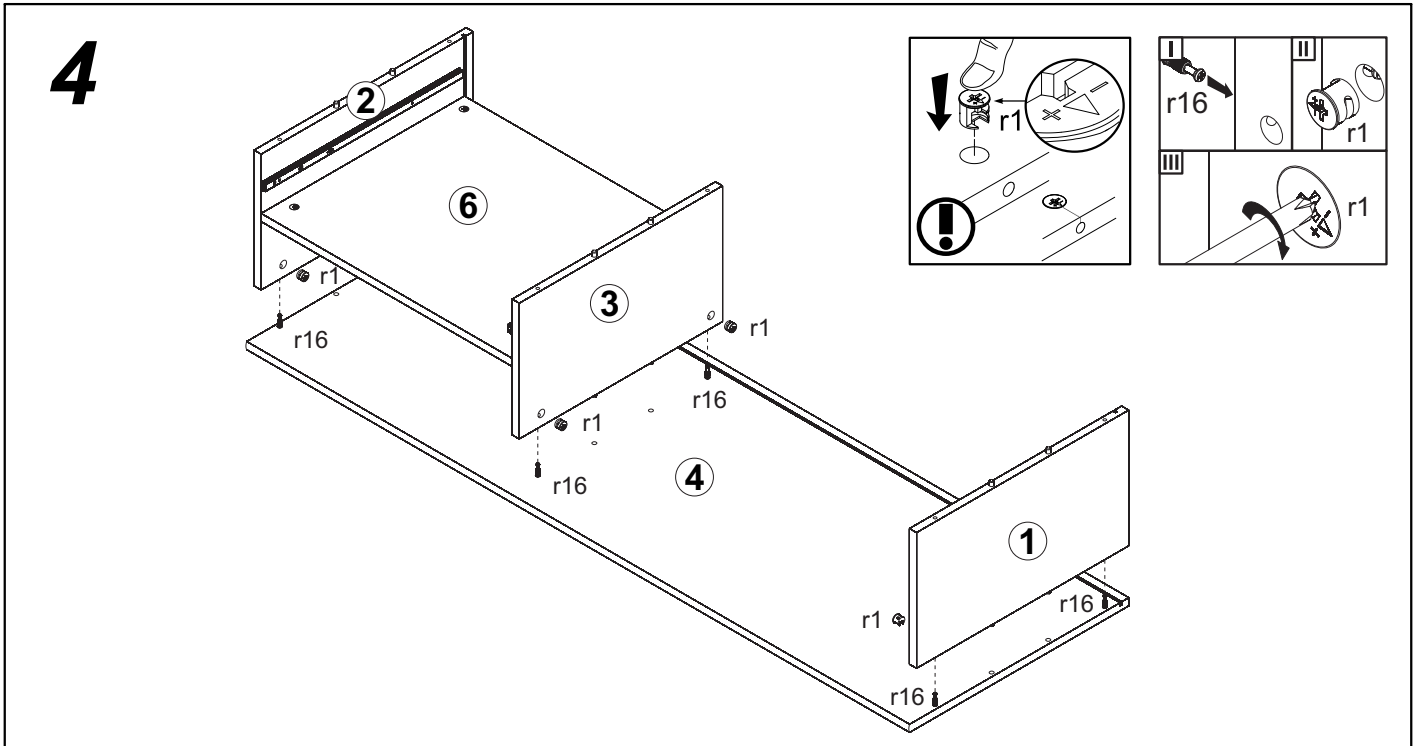
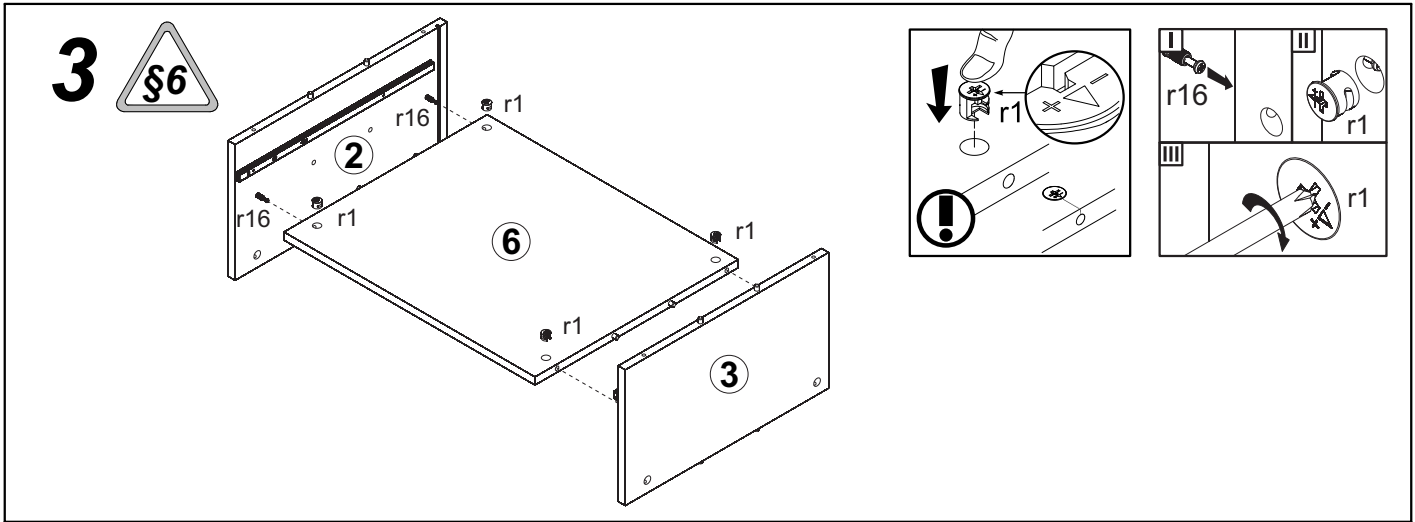
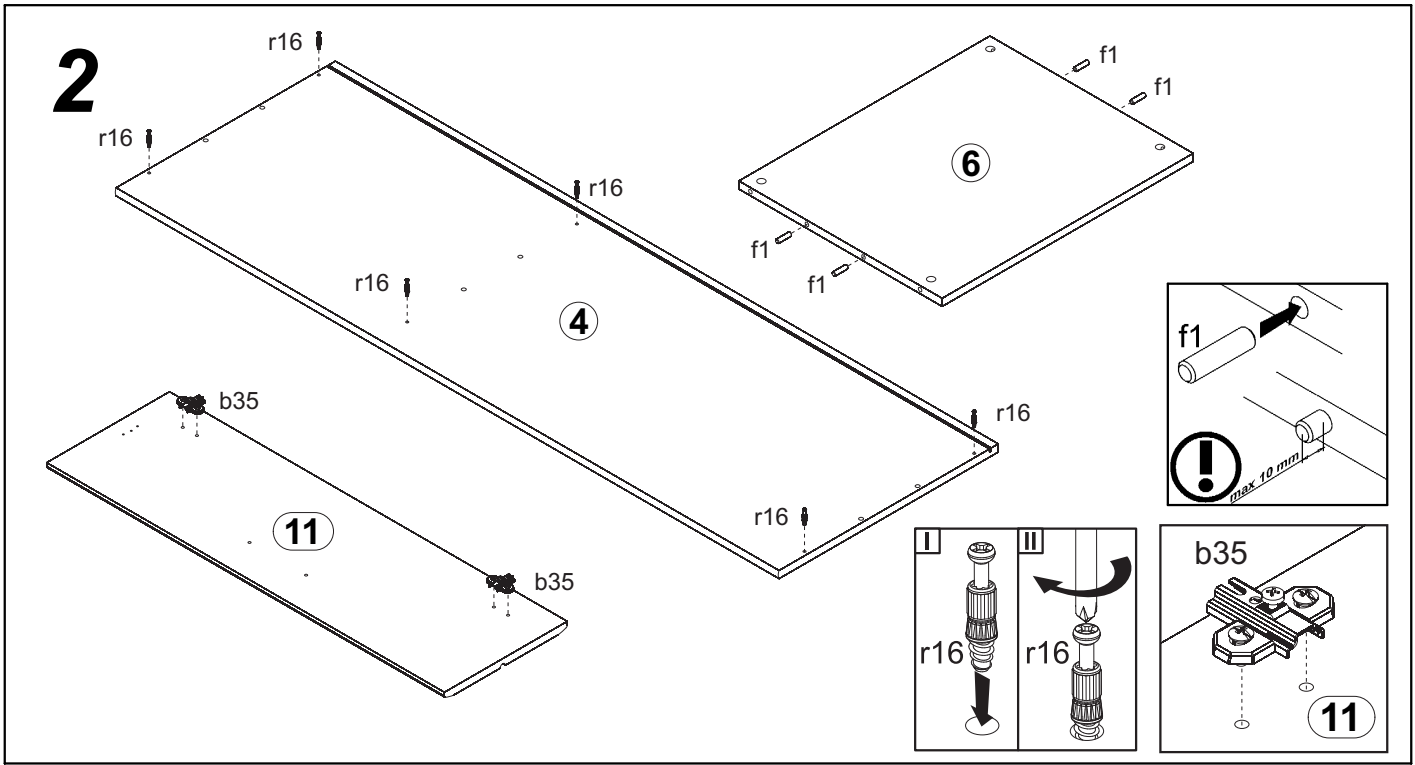
A	B	C	D	
1	S154-120	266	480	1/1
2	S154-103	266	480	1/1
3	S154-122	266	460	1/1
4	S154-216	1500	498	1/1
5	S154-215	1500	480	1/1
6	S154-311	568	460	1/1
7	S154-501	450	80	1/1

A	B	C	D	
8	S154-502	450	80	1/1
9	S154-519	528	80	1/1
10	S154-023	592	146	1/1
11	S154-024	900	278	1/1
12	S154-921	534	448	1/1
13	S154-919	1476	276	1/1

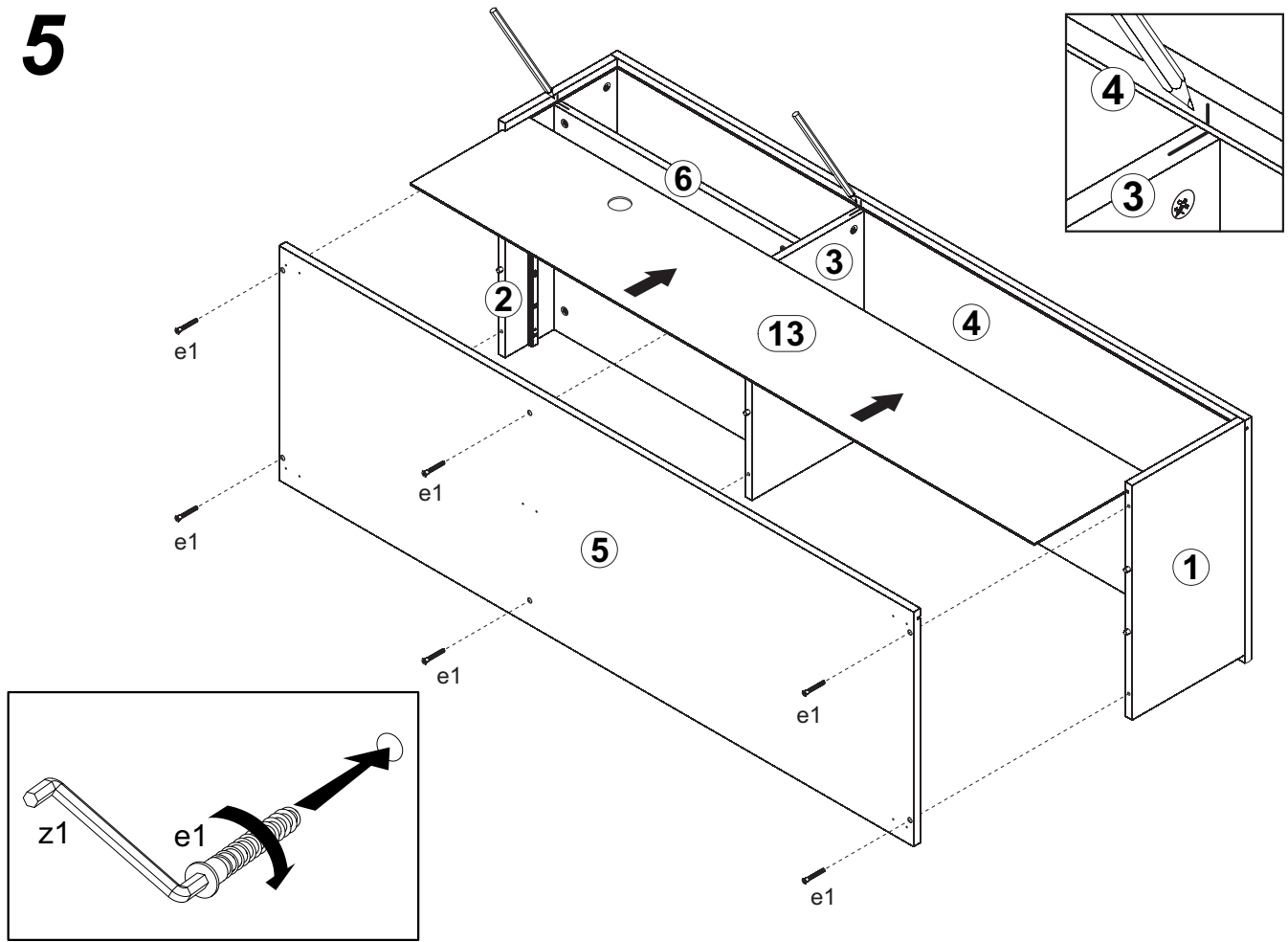


**1** §2





# 5



# 6

