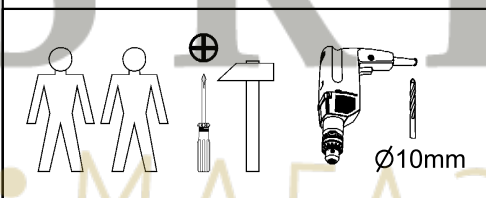
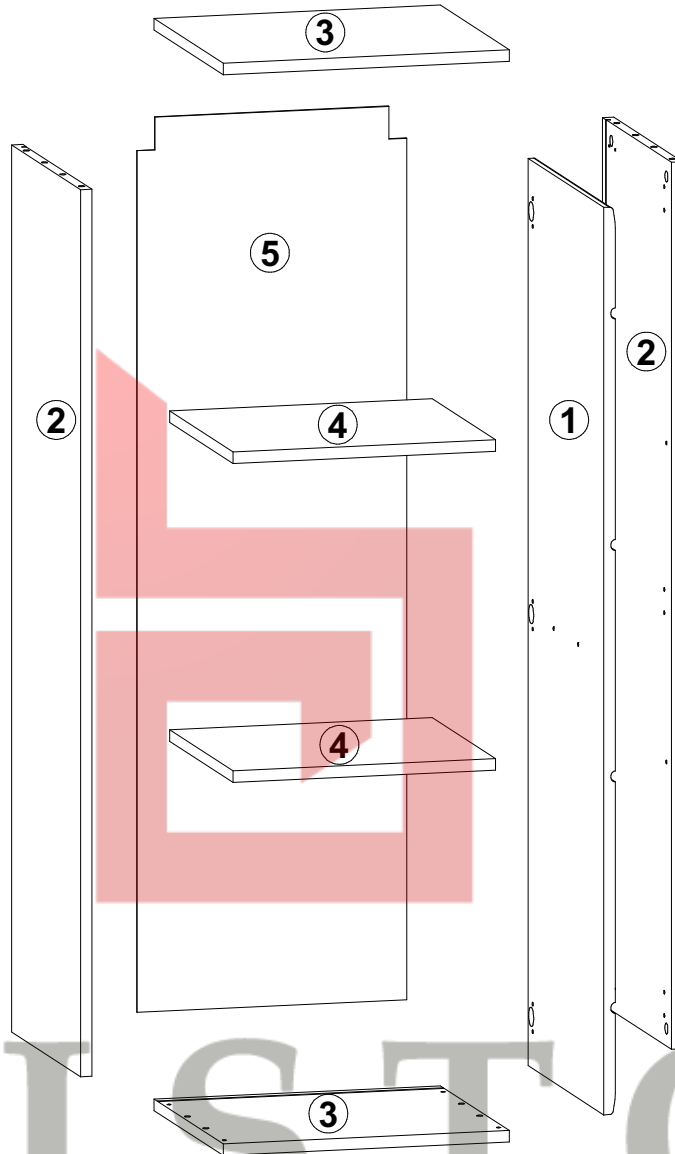
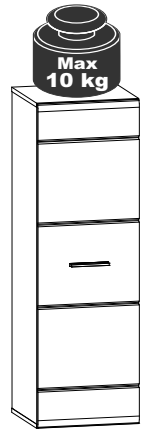
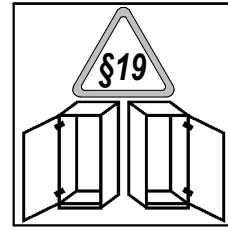


ВУШЕР

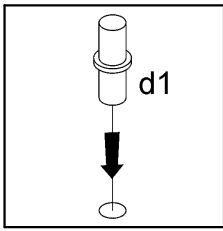
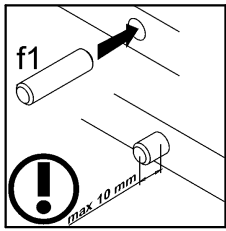
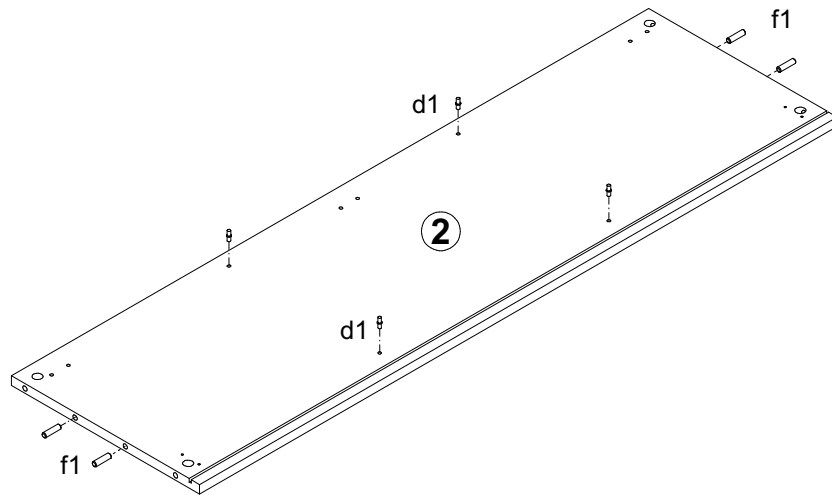
Пенал навісний / Пенал навесной_SFW 1D

A	B	C		D
1	S154-004	396	1246	1/1
2	S154-105-01	1218	360	1/1
3	S154-201	400	360	1/1
4	S154-303	367	330	1/1
5	S154-904-01	1228	377	1/1

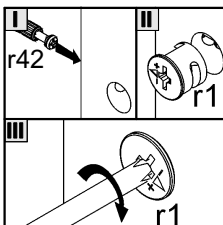
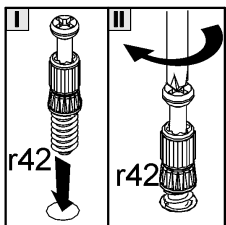
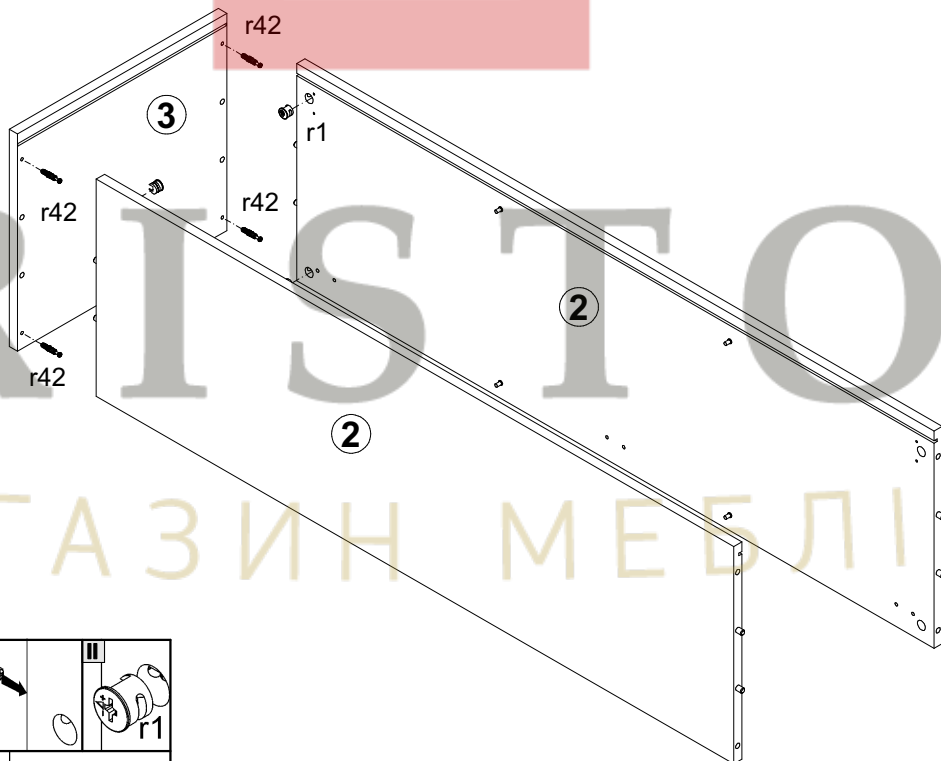


3x a2	3x b1	1x c25313	8x d1 φ5x17 mm	8x f1 φ8x30 mm	10x l2	2x n1221
2x silikon o21	4x φ4x30 mm p21	2x φ4x30 mm p9	8x φ1.5x12mm #16 r1	8x r42	6x s4	6x ø16 s2

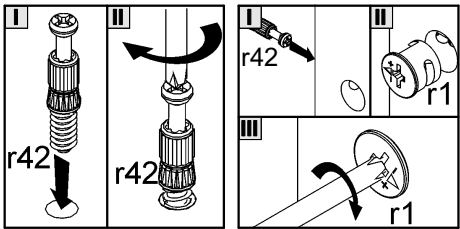
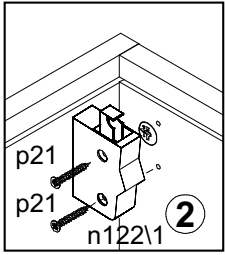
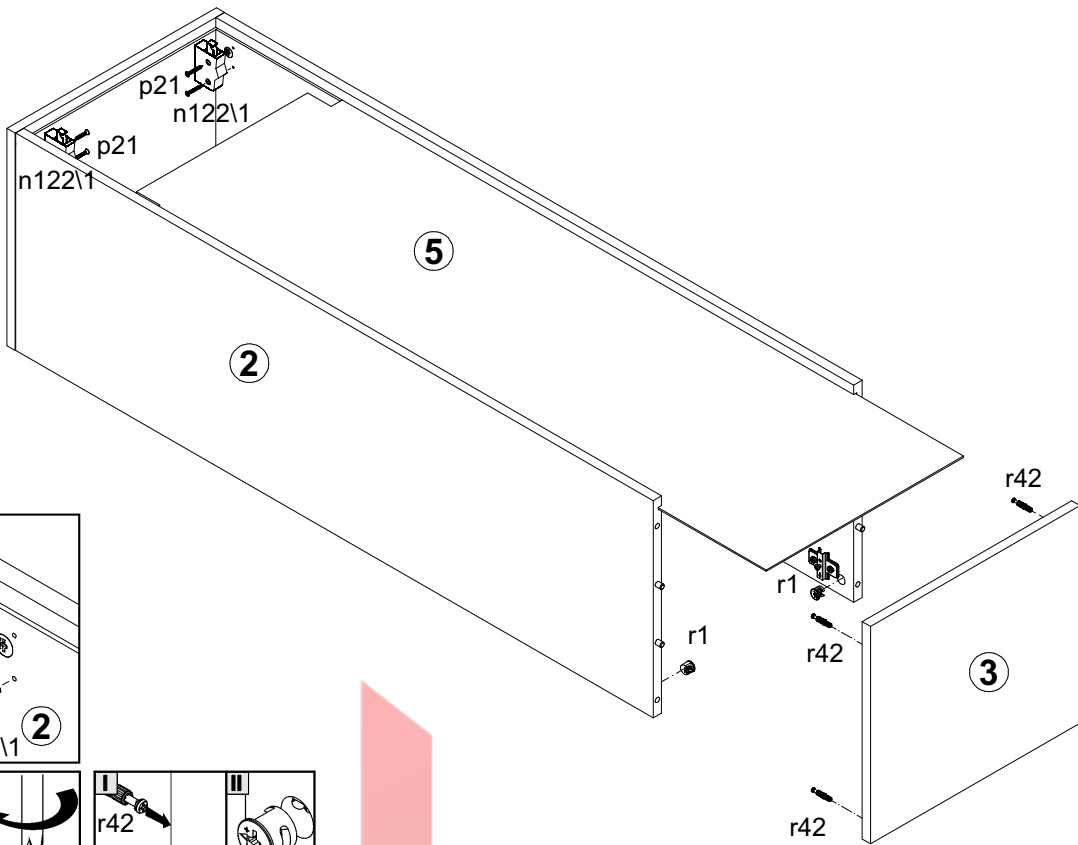
1



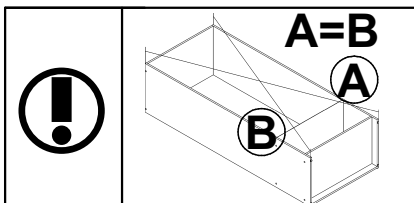
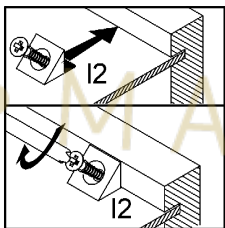
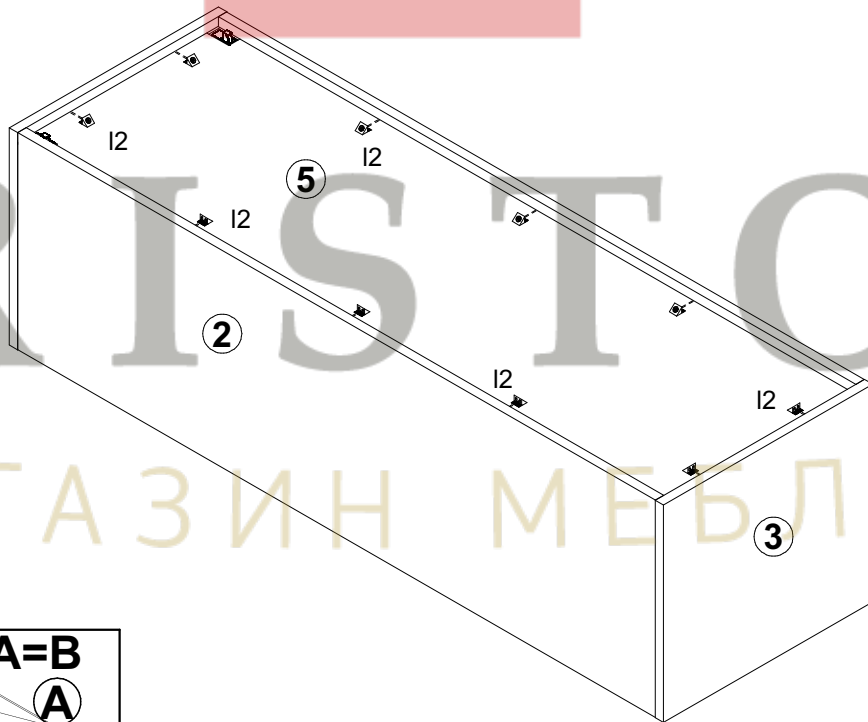
2

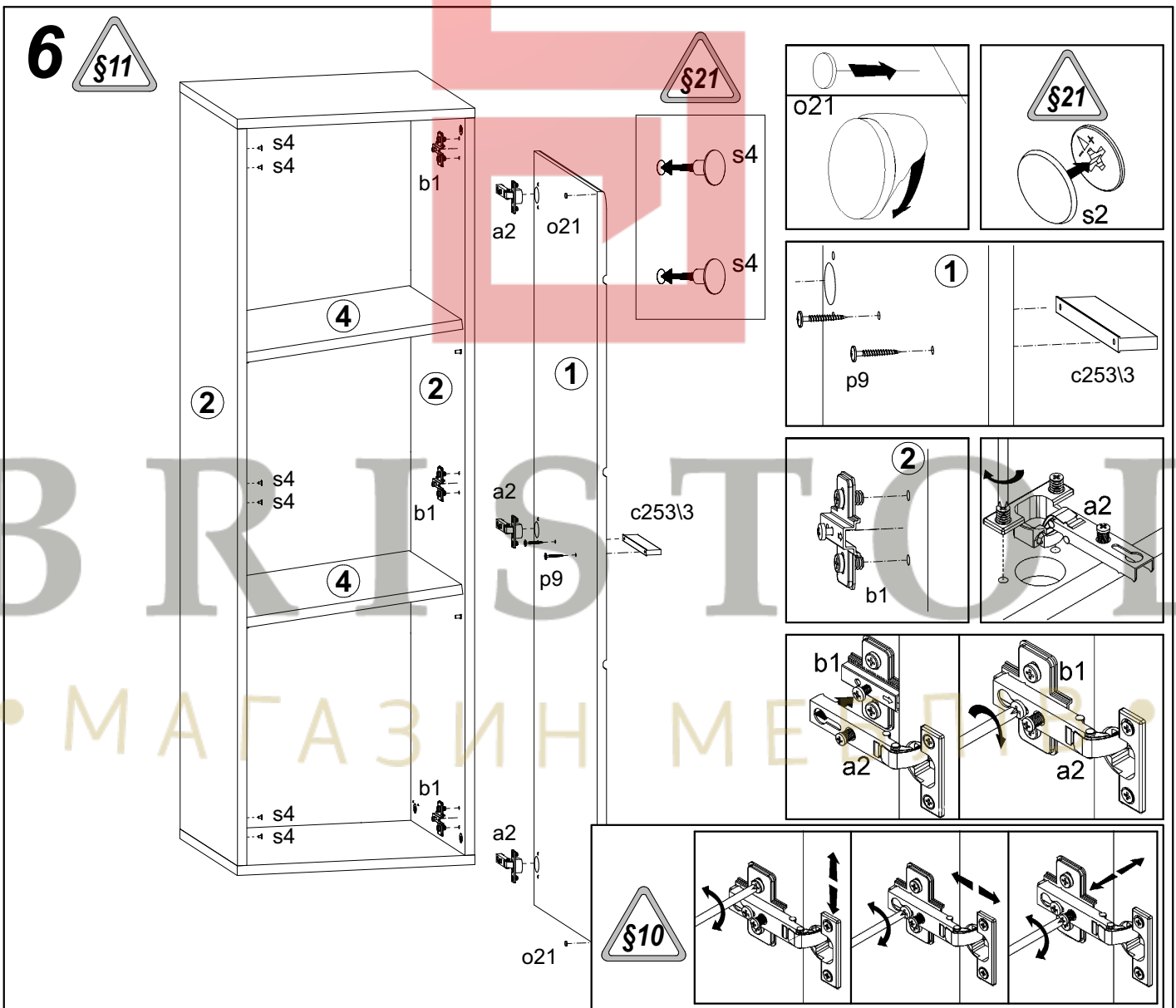
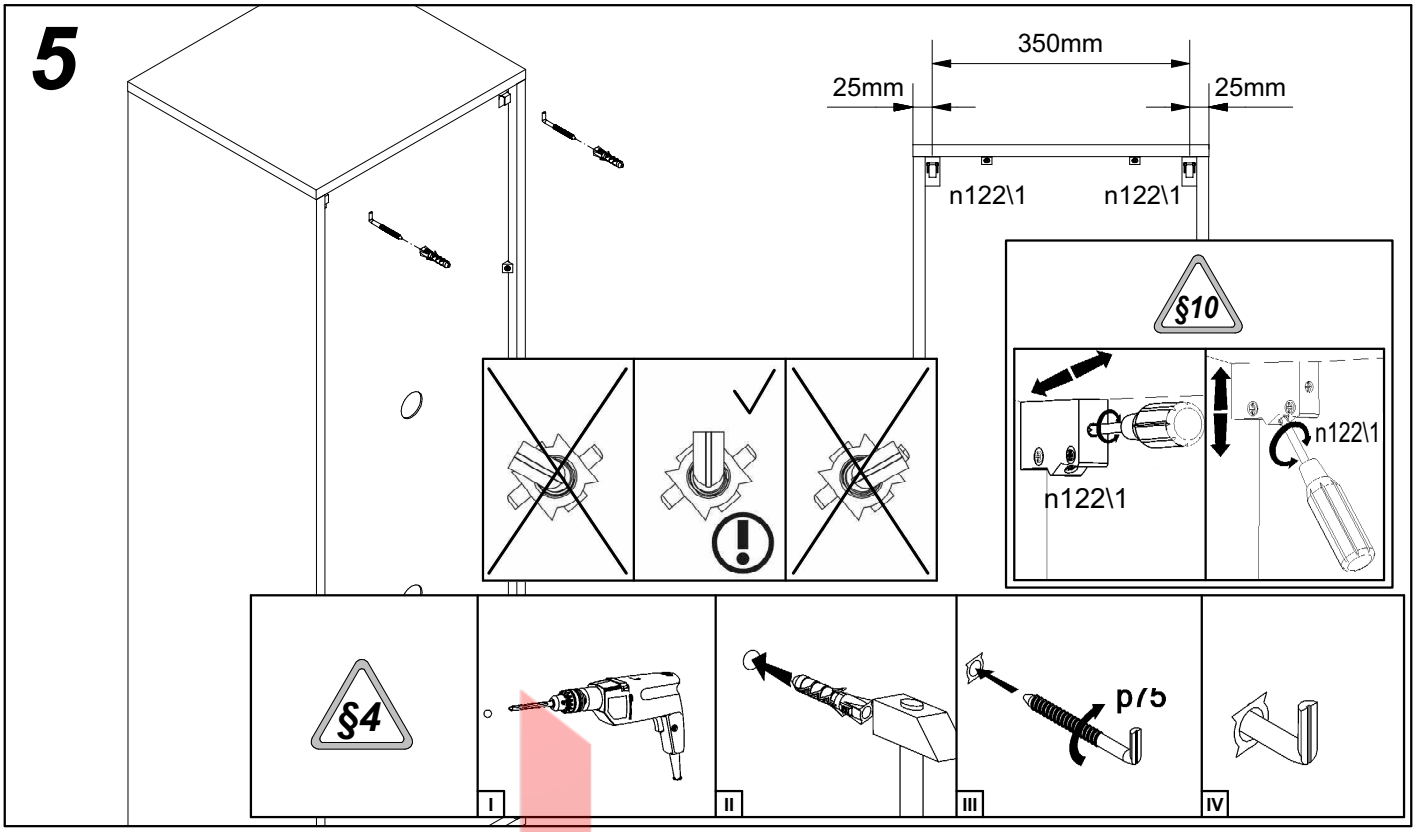


3



4

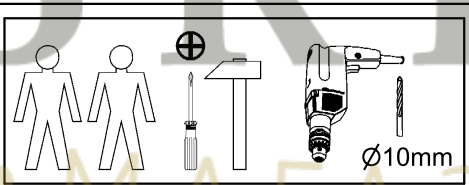
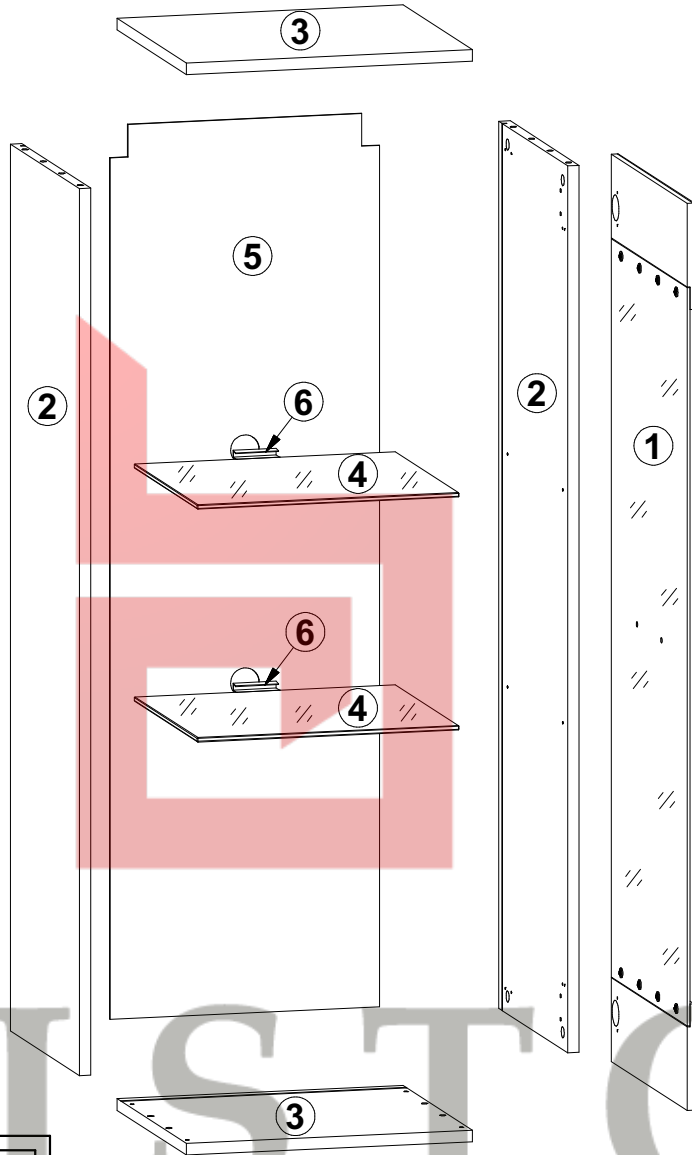
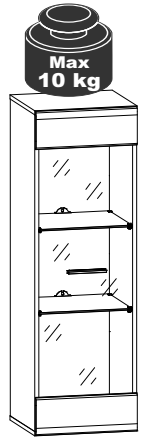
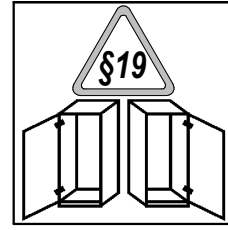




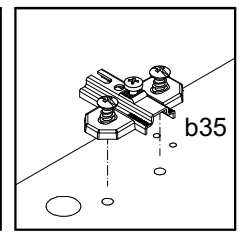
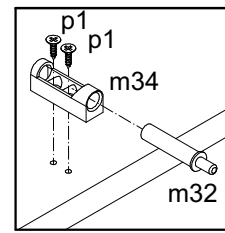
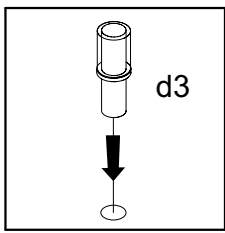
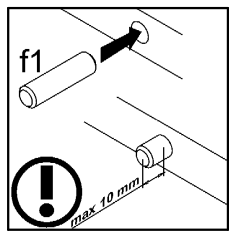
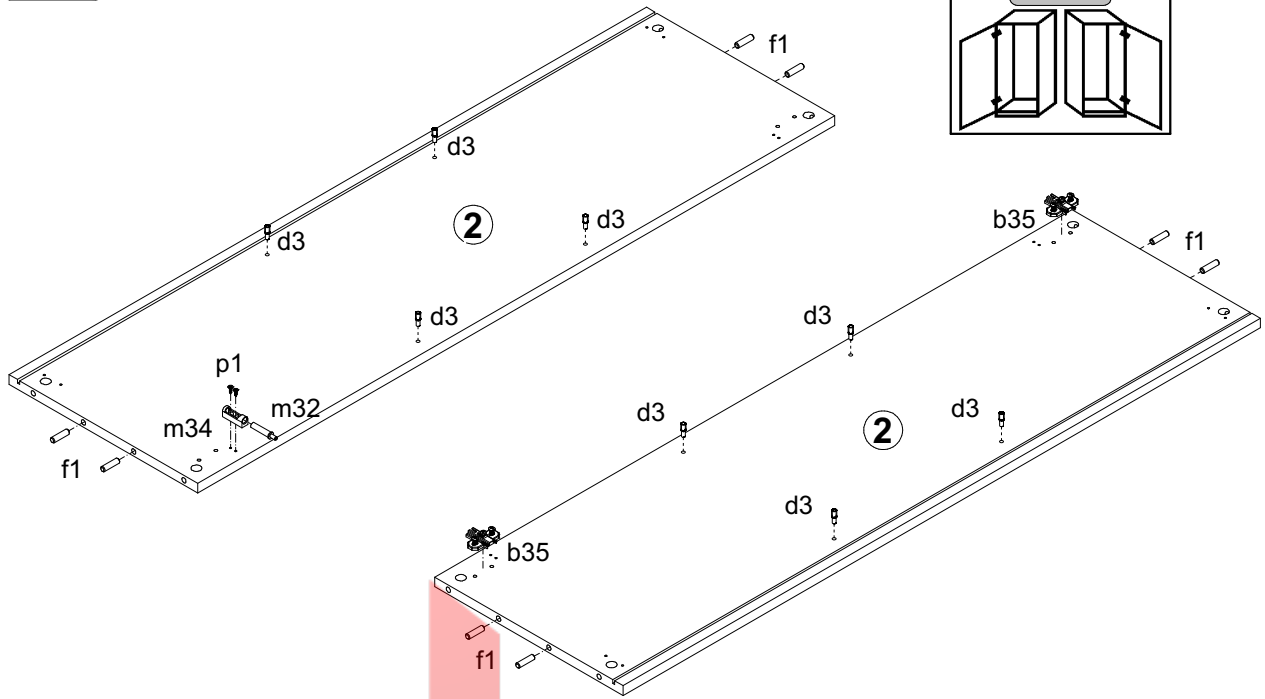
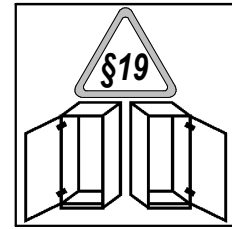
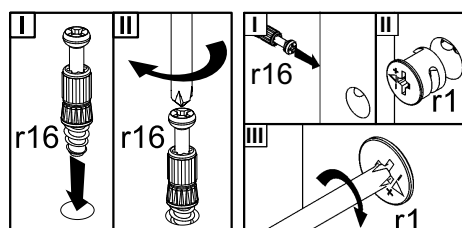
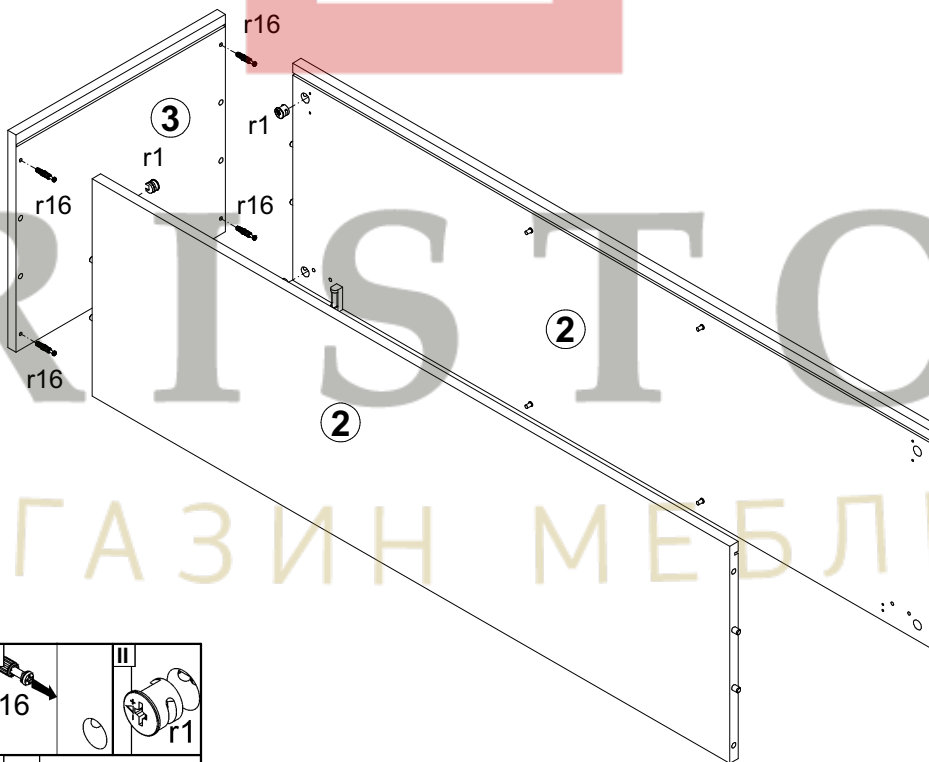
ВУШЕР

Вітрина навісна / Витрина навесная_SFW 1W

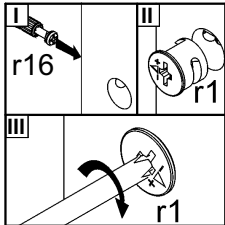
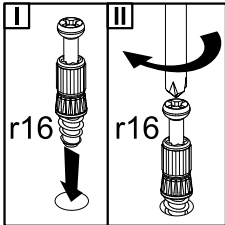
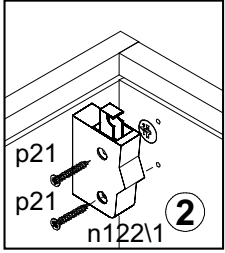
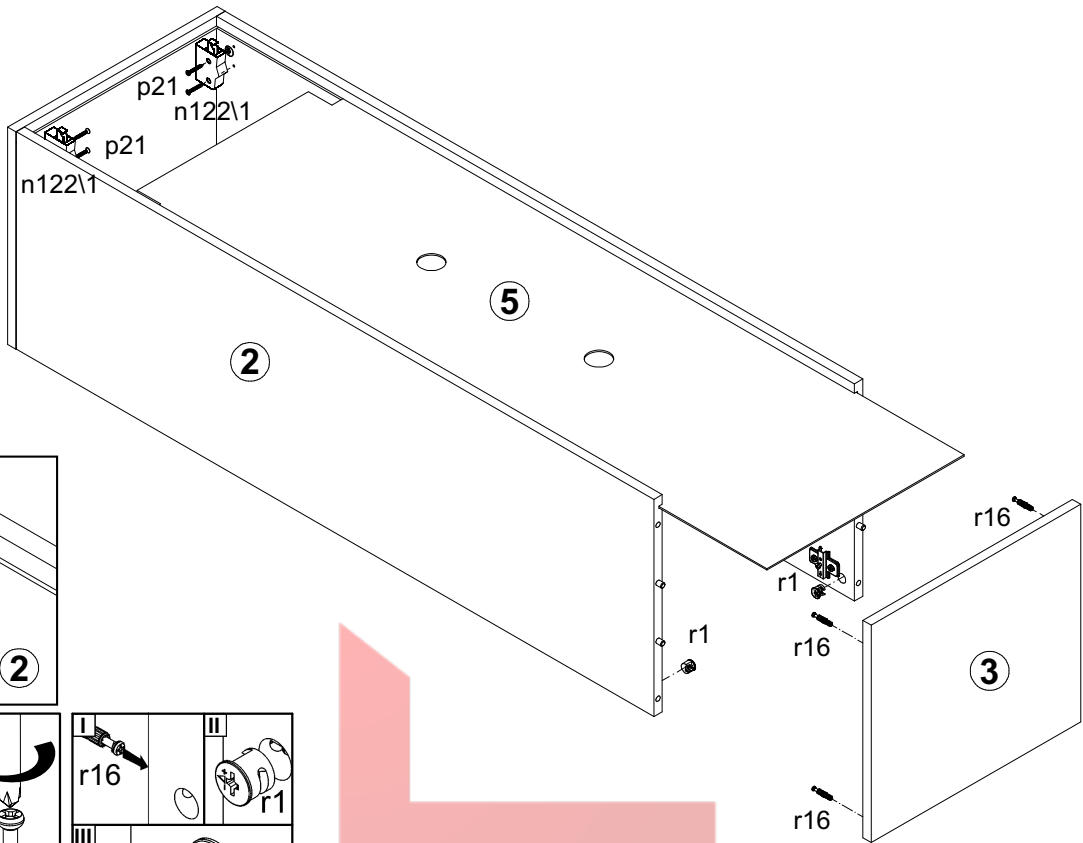
A	B	C	D
1	S154-001	1246	396
2	S154-101-01	1218	360
3	S154-201	400	360
4	S154-301-01	366	330
5	S154-901-01	1228	377
6	qb20/2	LED	



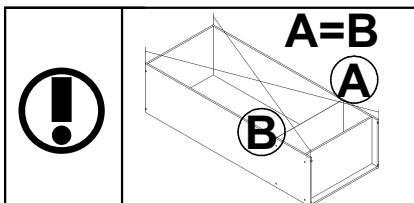
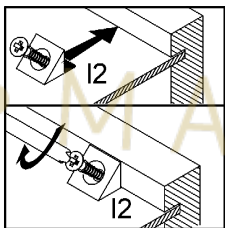
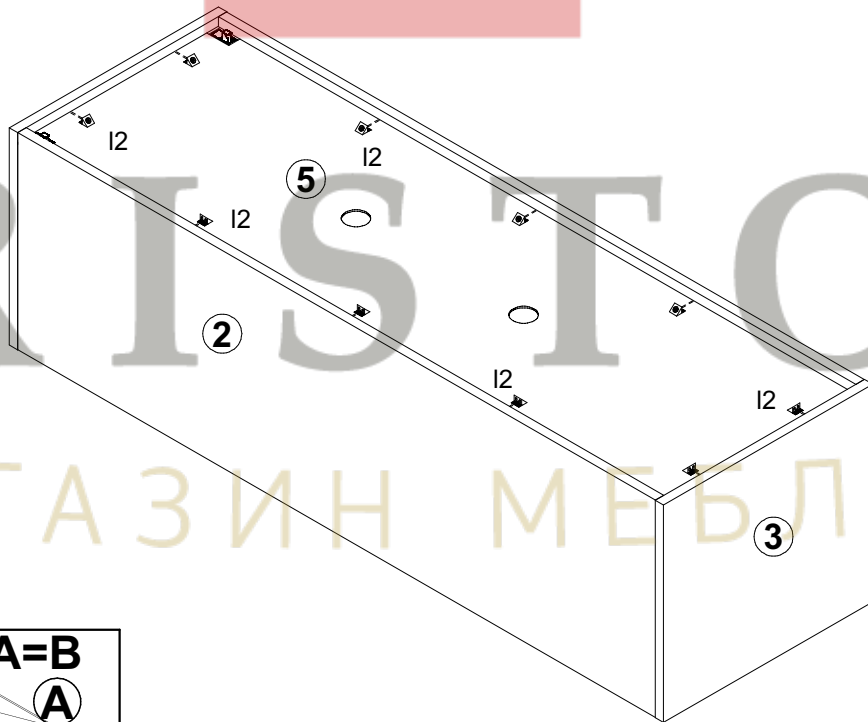
2x a44	2x b35	1x c2533	8x d3 φ5x17 mm	8x f1 φ8x30 mm	10x l2	1x m32
1x m34	2x n122\1	2x o27 φ6,5/φ10x5,2mm	2x p1 φ3,5x13 mm	4x p21 φ4x30 mm	4x p51 φ3,5x15 mm	2x p59 φ4x12 mm
8x r1 φ15x12mm #16	8x r16 20/9	6x s2 ø16	4x s4	2x s53 φ40	2x s53 φ40	

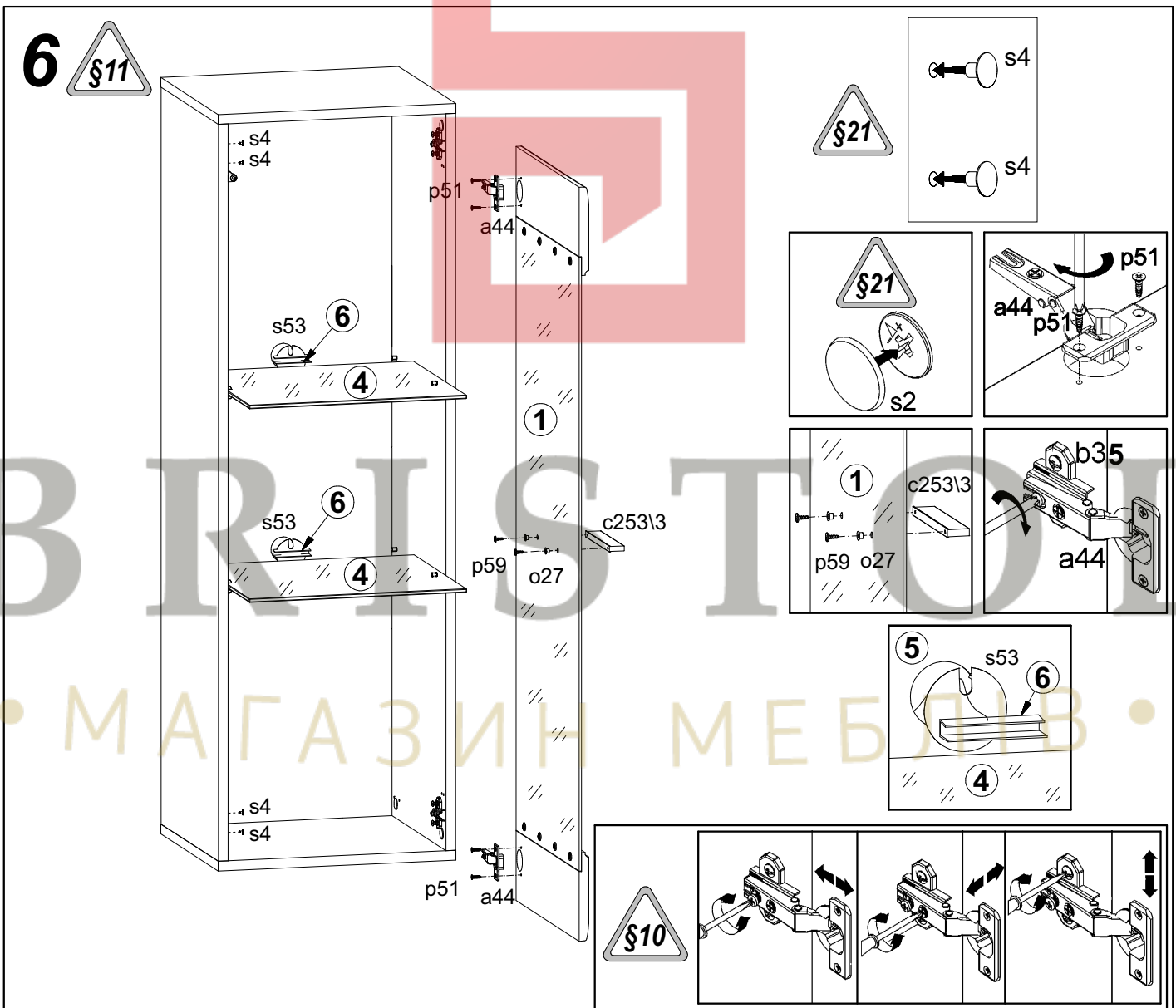
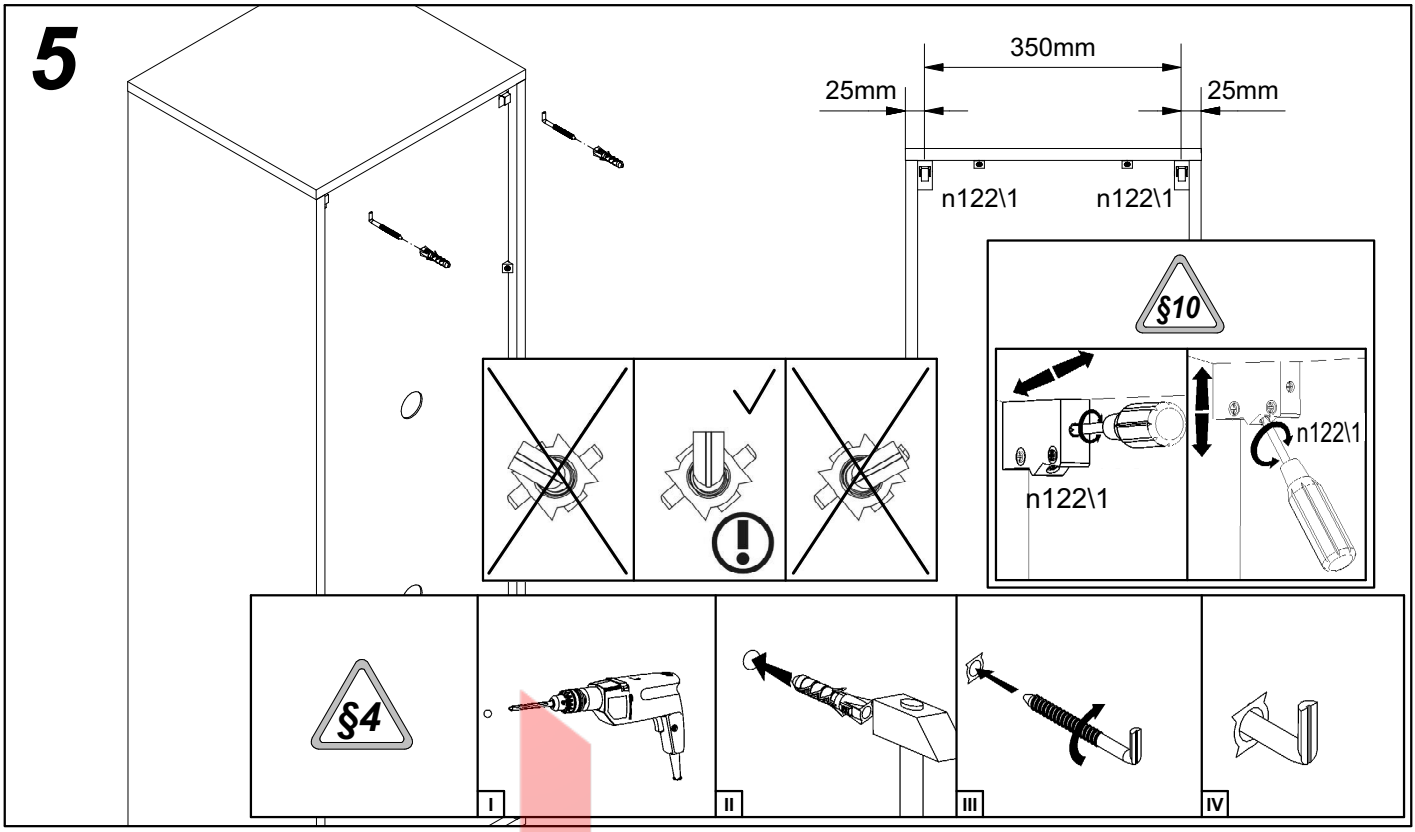
1**2**

3



4

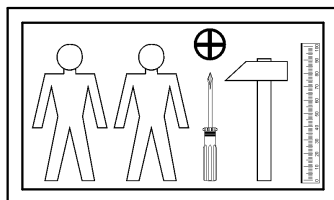
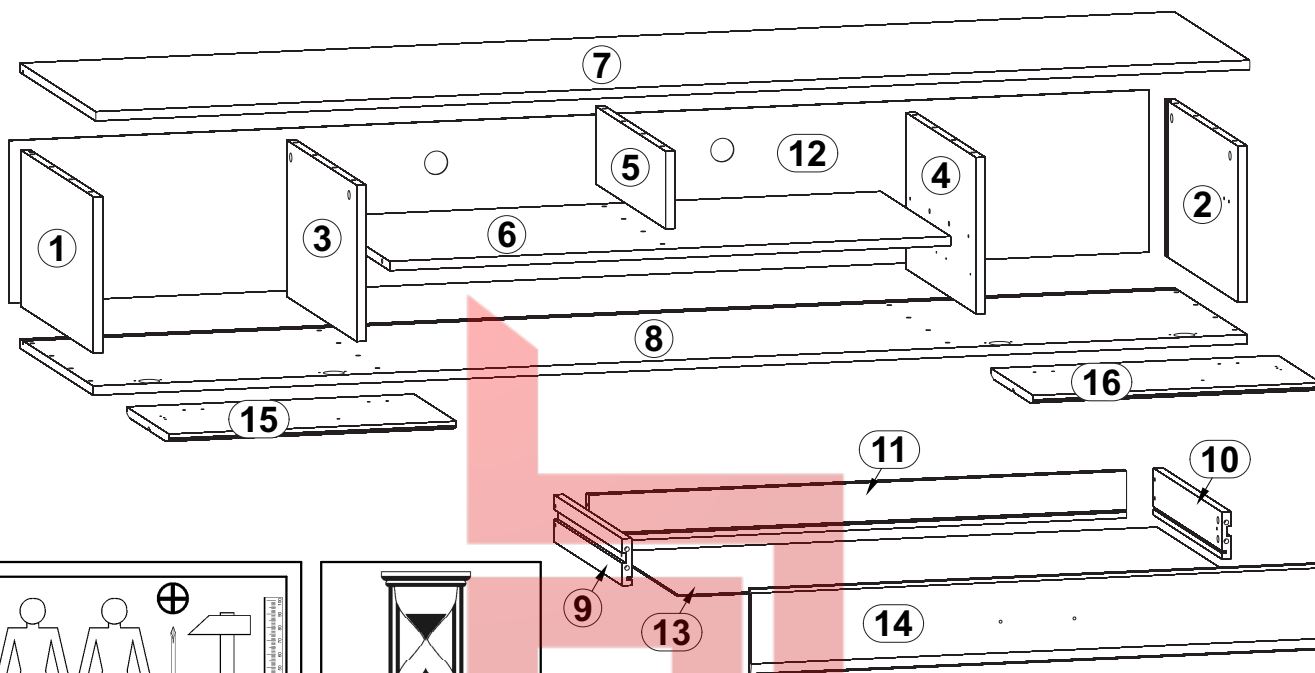
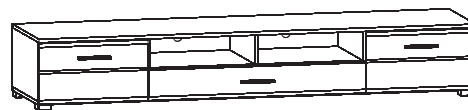




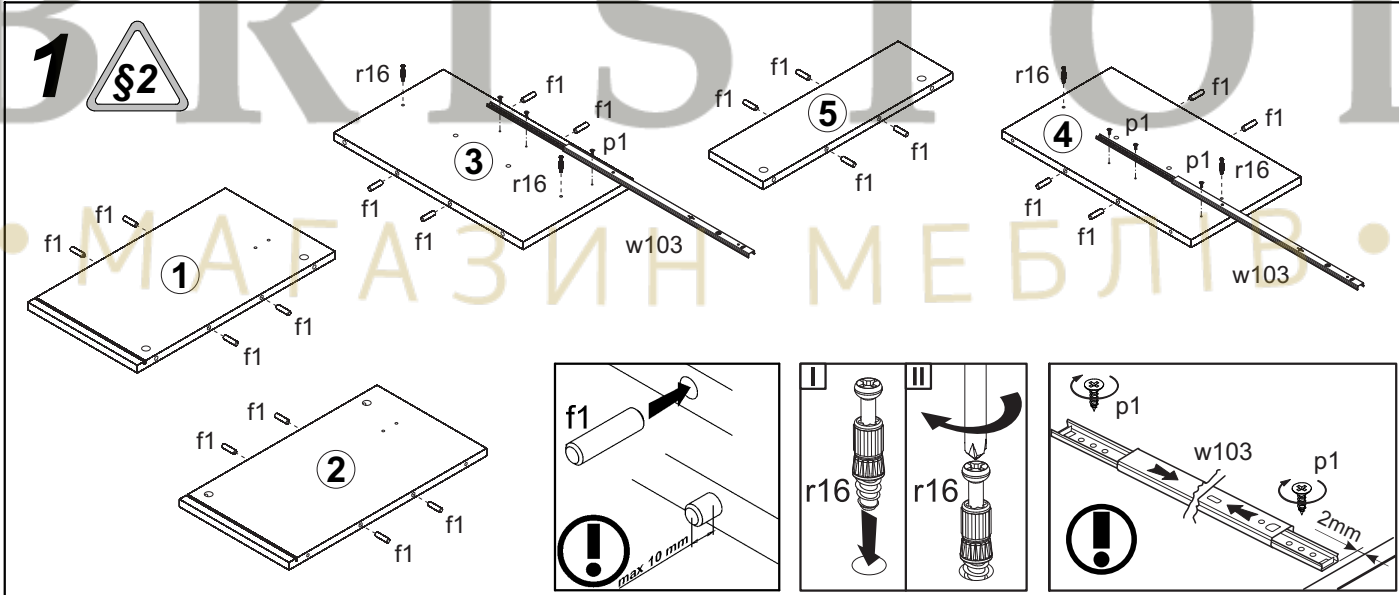
ВУШЕР

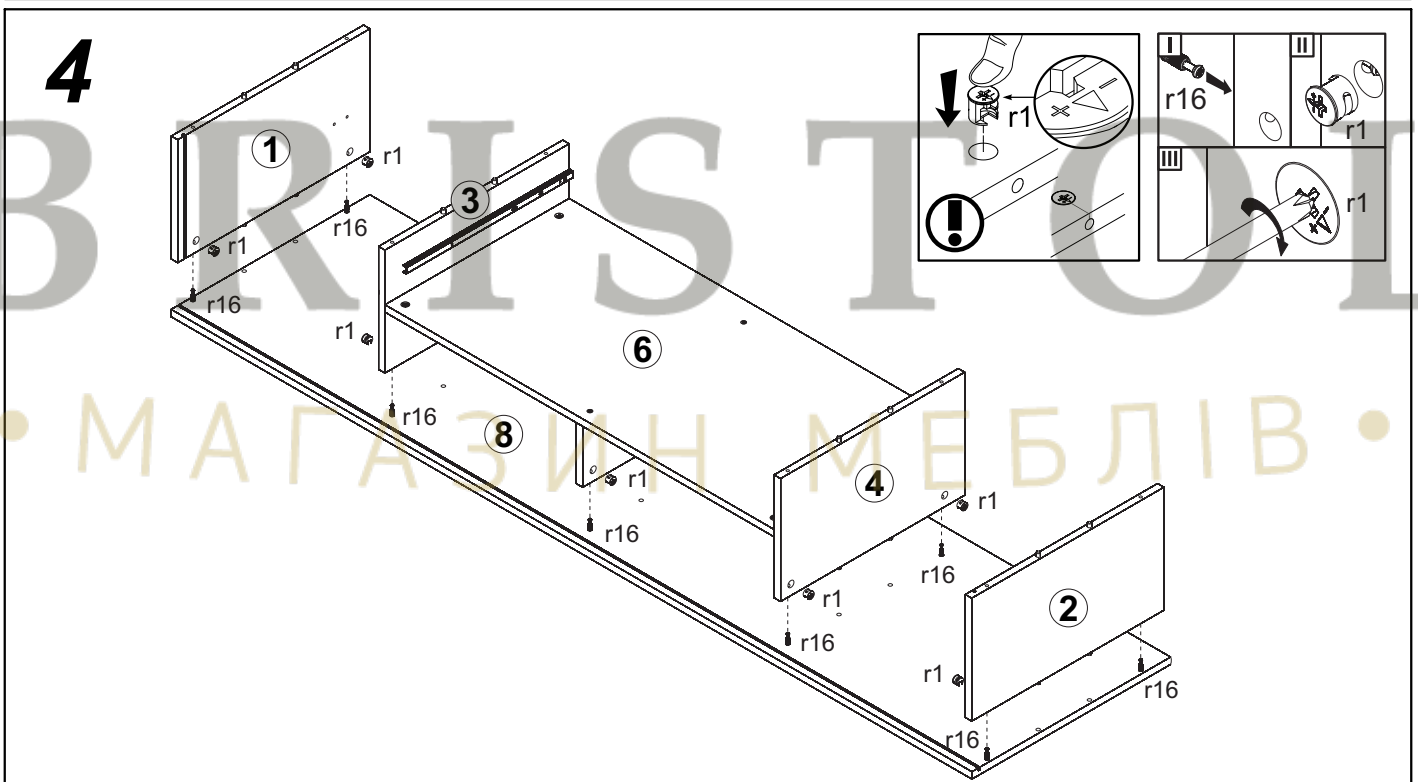
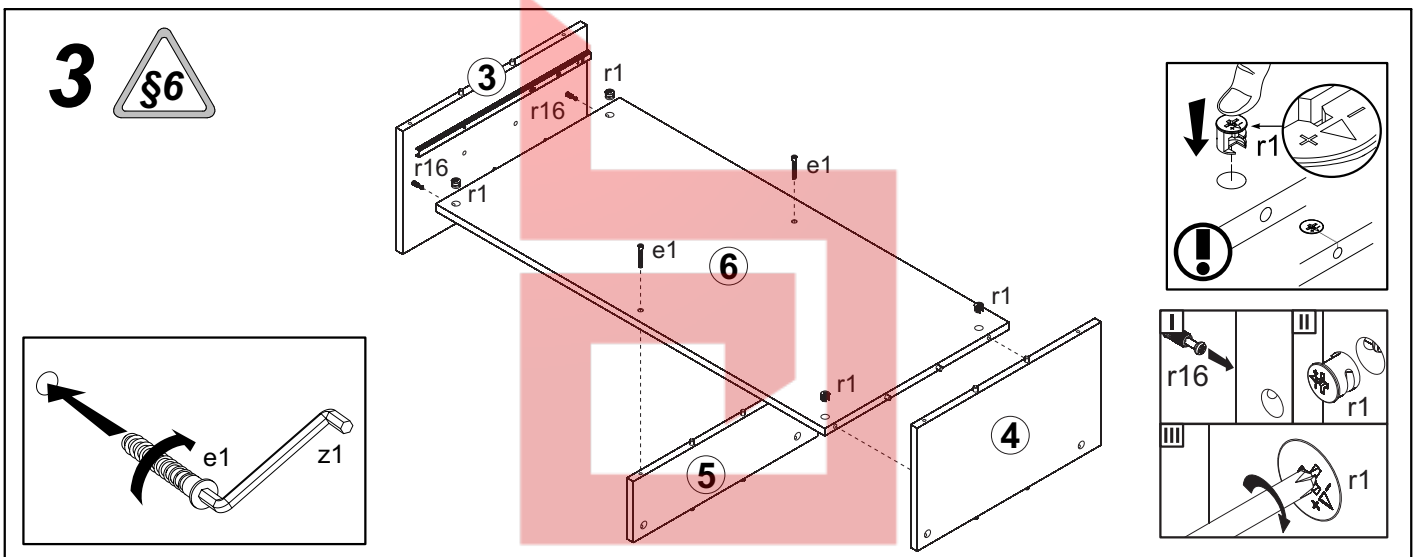
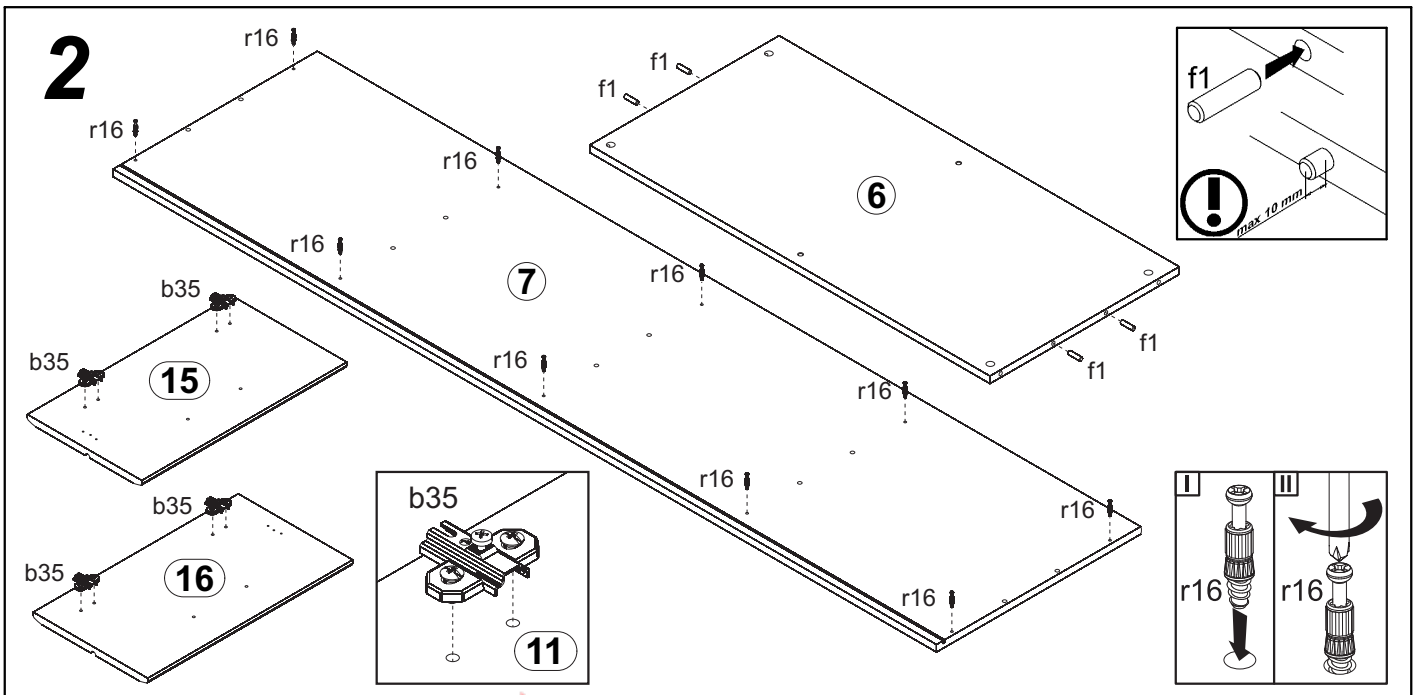
Тумба_RTV2D1S

A	B	C	D	A	B	C	D		
1	S154-120	266	480	2/2	9	S154-501	450	80	2/2
2	S154-123	266	480	2/2	10	S154-502	450	80	2/2
3	S154-122	266	460	2/2	11	S154-520	932	80	2/2
4	S154-124	266	460	2/2	12	S154-920	1976	276	1/2
5	S154-125	132	460	2/2	13	S154-923	947	448	2/2
6	S154-312	972	460	2/2	14	S154-025	992	146	1/2
7	S154-218	2000	498	1/2	15	S154-026	498	278	1/2
8	S154-217	2000	480	1/2	16	S154-027	498	278	1/2

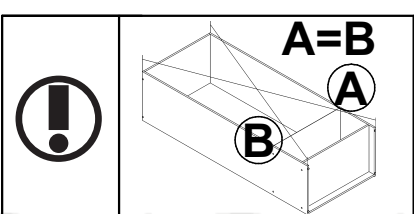
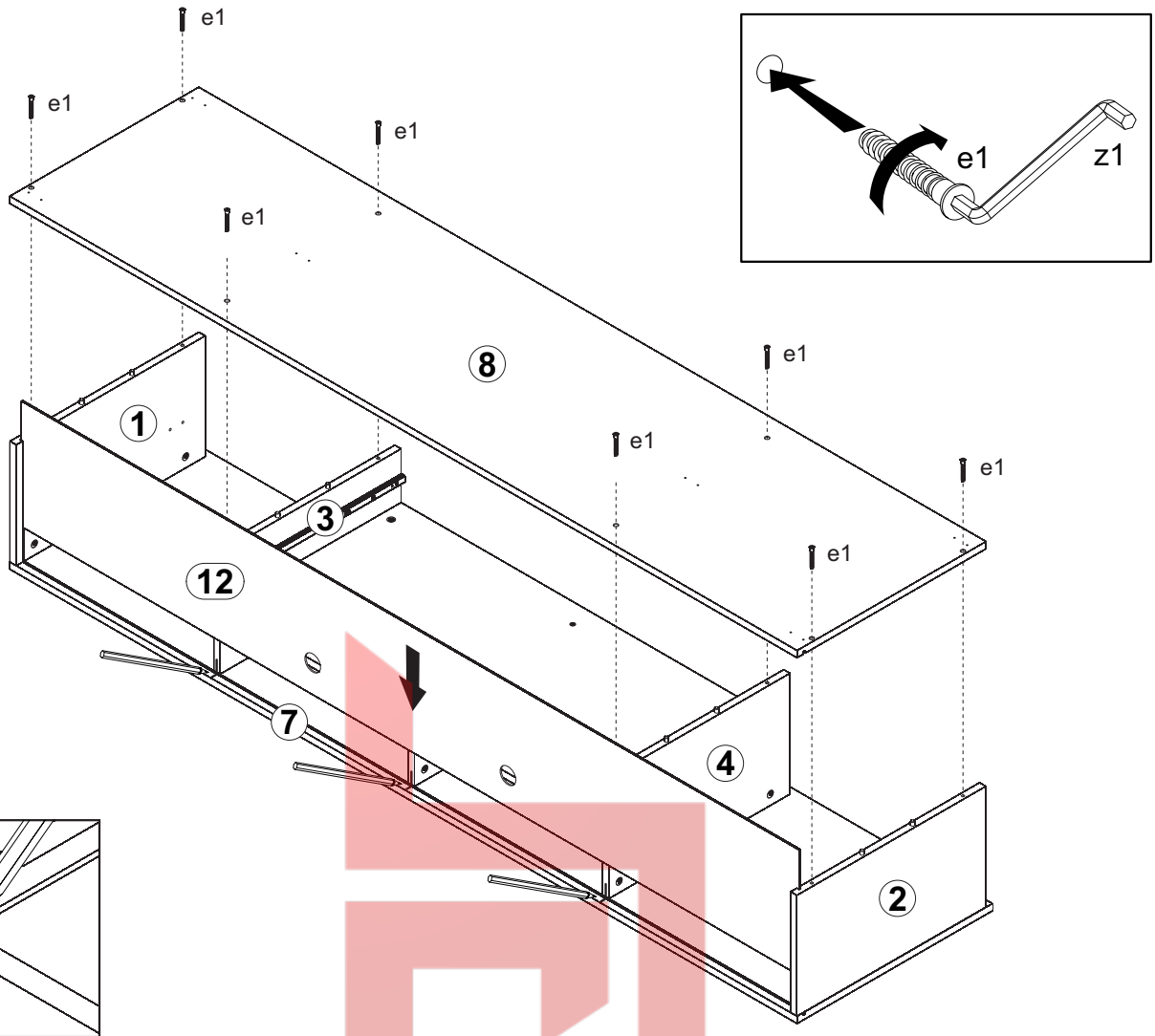


4x K16 a43	4x D3 b35	3x c253 ³	10x φ7x50 mm e1	4x φ6,3x13 mm e5	4x φ5x50 mm e32	24x φ8x30 mm f1	2x M4x12 mm j3	6x k55
18x l1	18x l2	2x L-236 m3	12x φ3,5x13 mm p1	12x φ4x35 mm p6	6x φ4x30 mm p9	2x φ3,5x16 mm p25	8x φ3,5x15 mm p51	14x φ15x12mm #16 r1
4x φ12x10,5mm #12 r15	18x 20/9 r16	10x φ16 s2	1x 433 mm t37	2x 450 mm w103	1x z1			

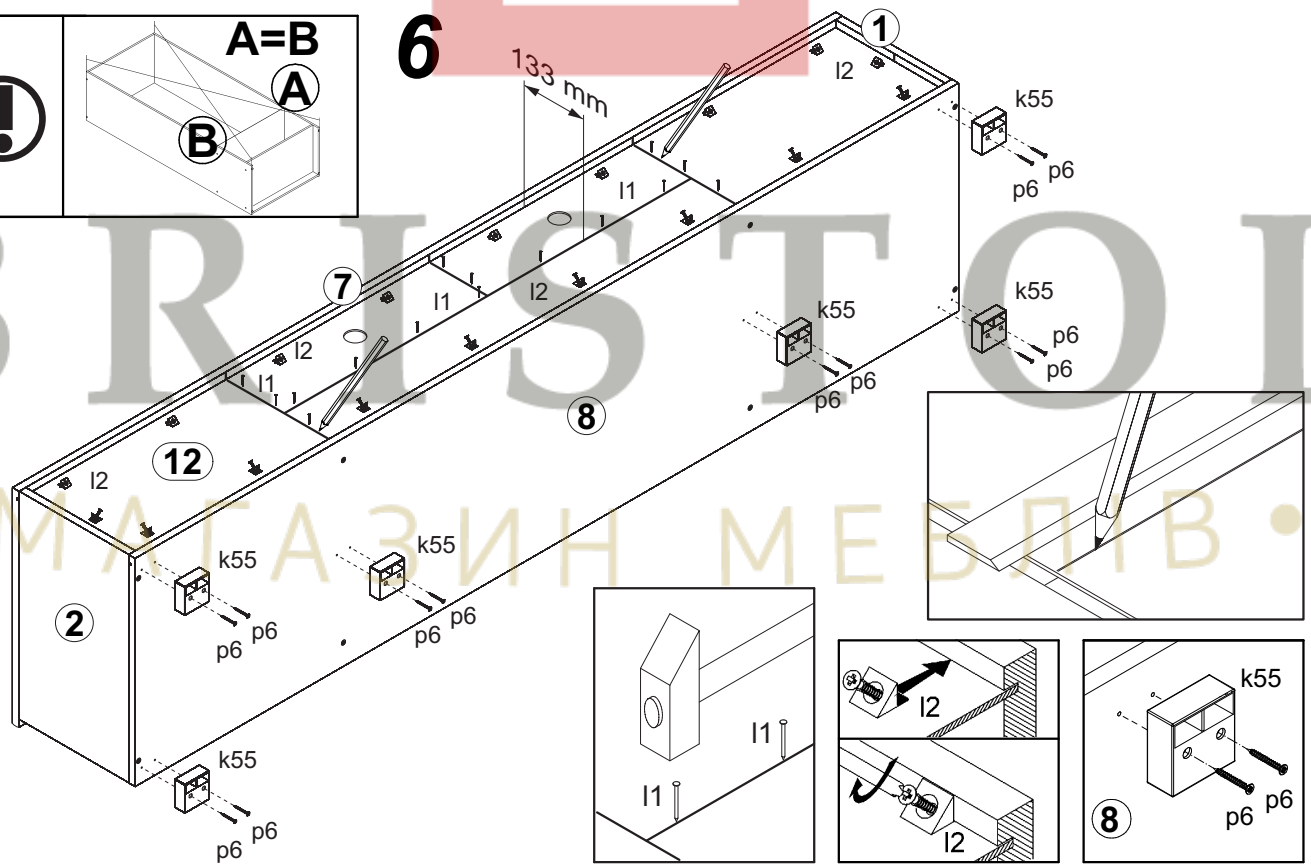




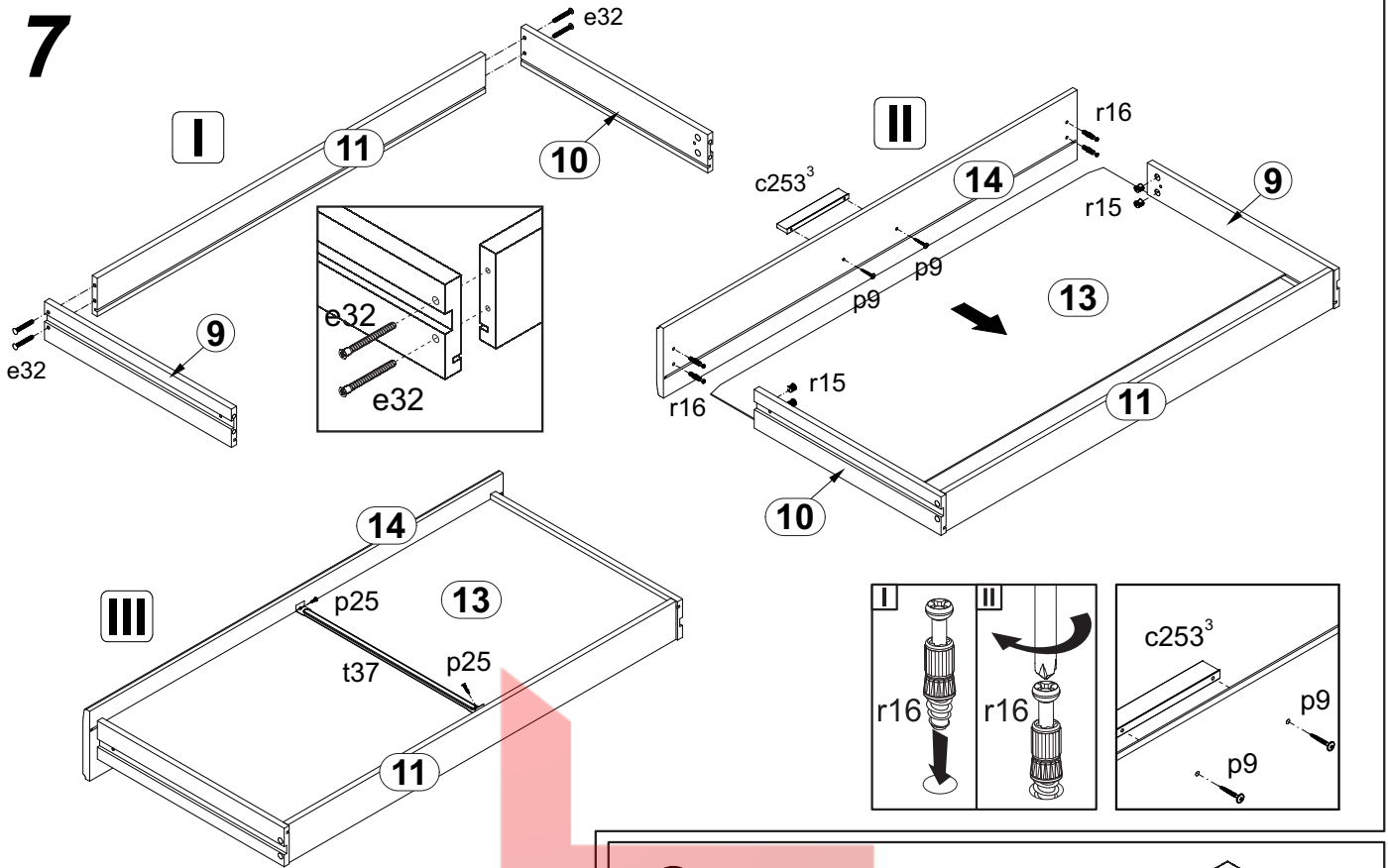
5



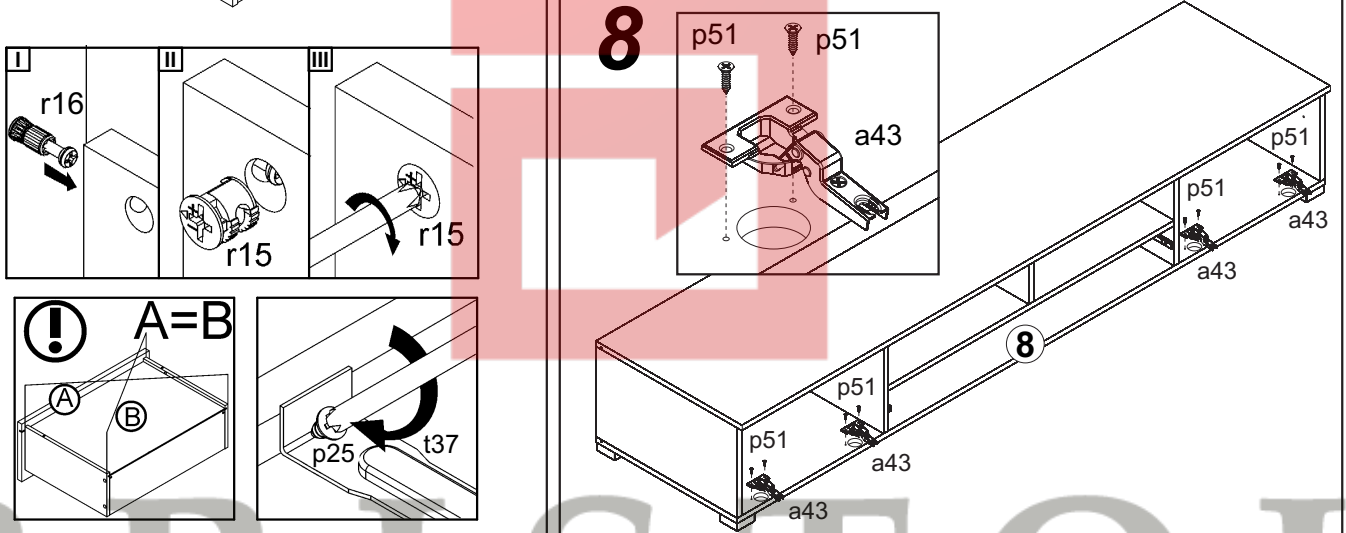
6



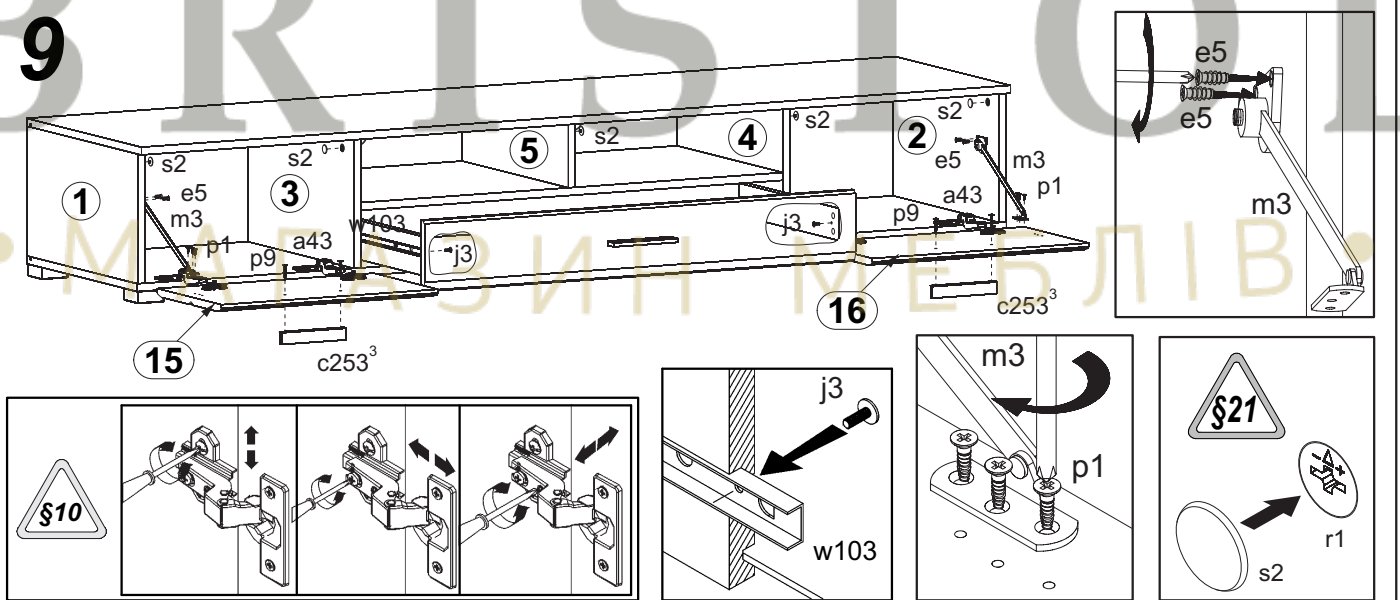
7



8



9

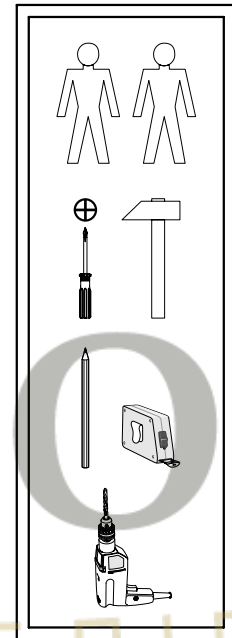
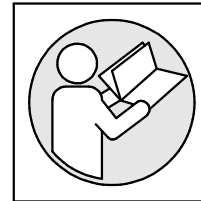
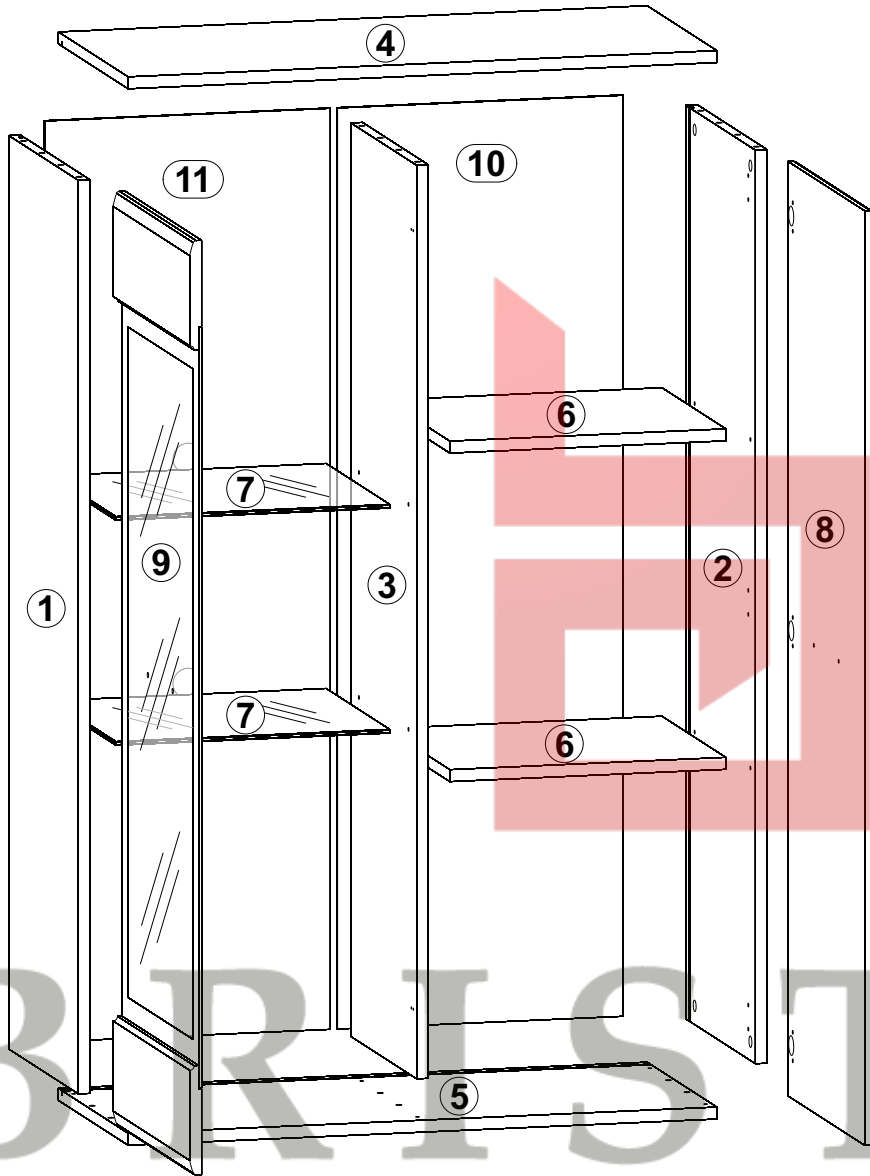
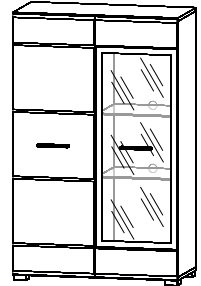
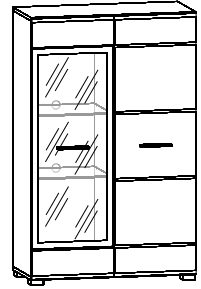
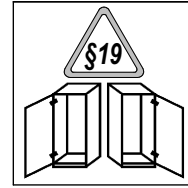


ВУЩЕР

Вітрина / Витрина - REG1D1W_L/P

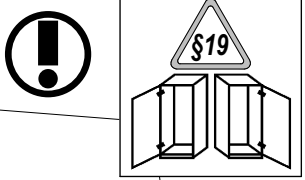
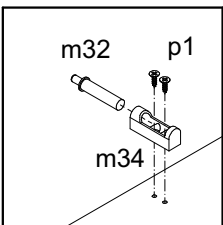
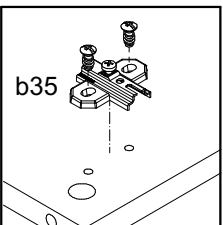
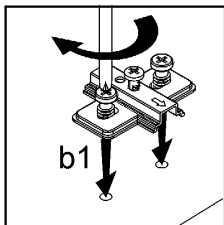
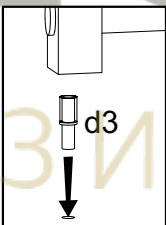
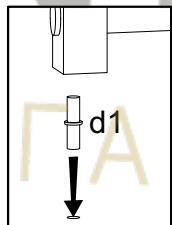
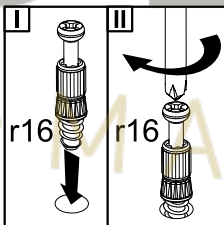
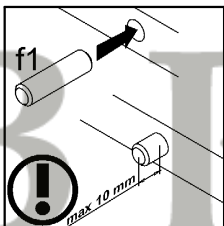
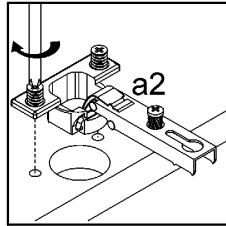
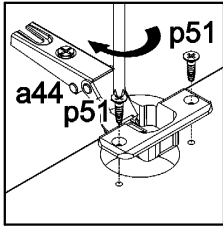
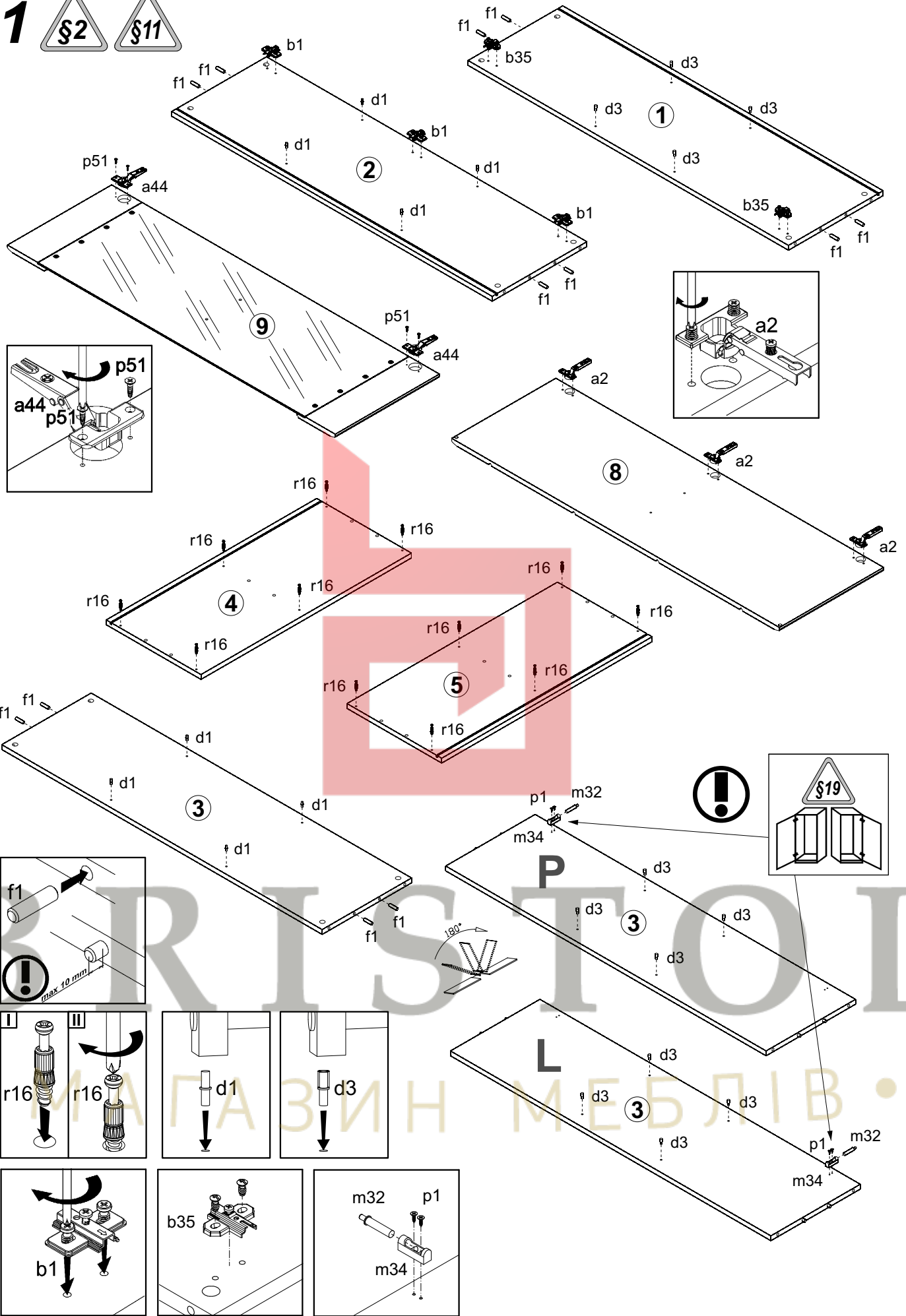
A	B	C	D	
1	S154-107	1218	360	1/1
2	S154-121	1218	360	1/1
3	S154-132	1218	340	1/1
4	S154-224	800	360	1/1
5	S154-223	800	360	1/1
6	S154-317	375	330	1/1

A	B	C	D	
7	S154-316-01	374	330	1/1
8	S154-004	396	1246	1/1
9	S154-001	1246	396	1/1
10	S154-925	1228	388	1/1
11	S154-926	1228	388	1/1



3x KO a2	2x KO a44	3x b1	2x D3 b35	2x c253	8x d1	8x d3	12x f1	5x k55
25x l1	12x l2	1x m32	1x m34	1x n26/1	4x silikon o21	2x o27	1x o43/6	
2x o43/1	2x p1	10x p6	2x p9	1x p38	2x p59	4x p51	12x r1	12x r16
12x s2	2x φ40 s53	2x φ40 s53						

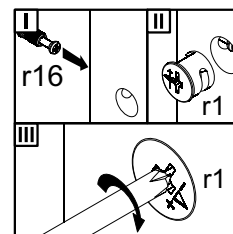
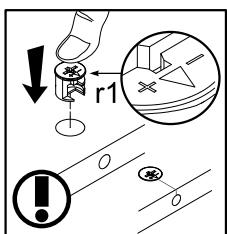
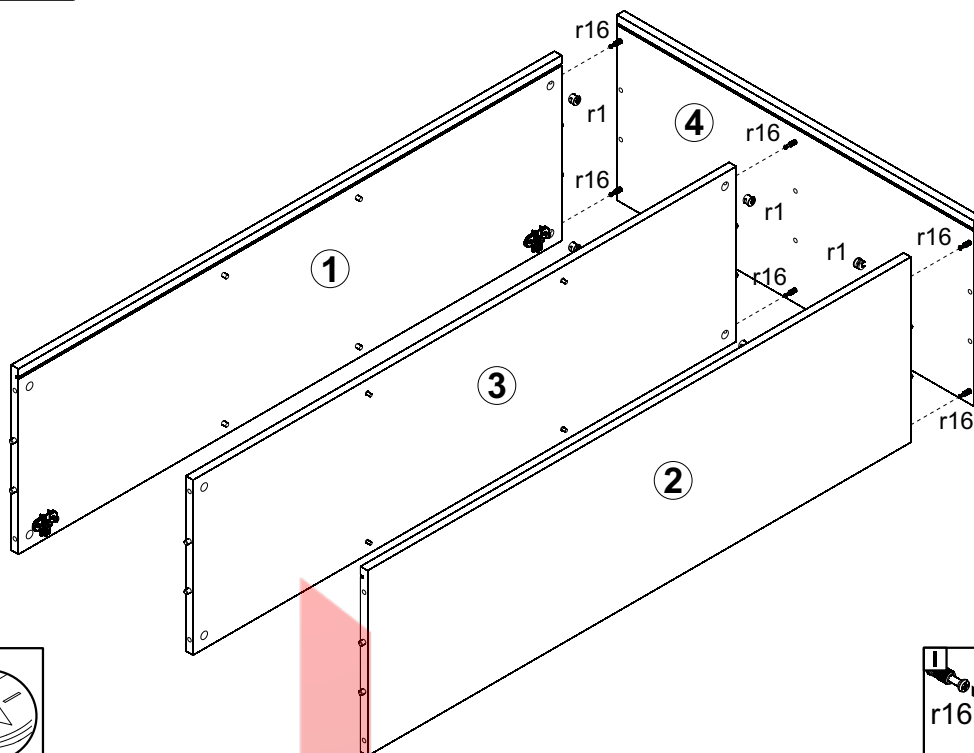
1  



2 L



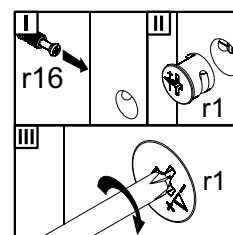
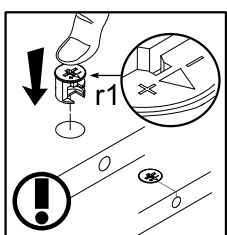
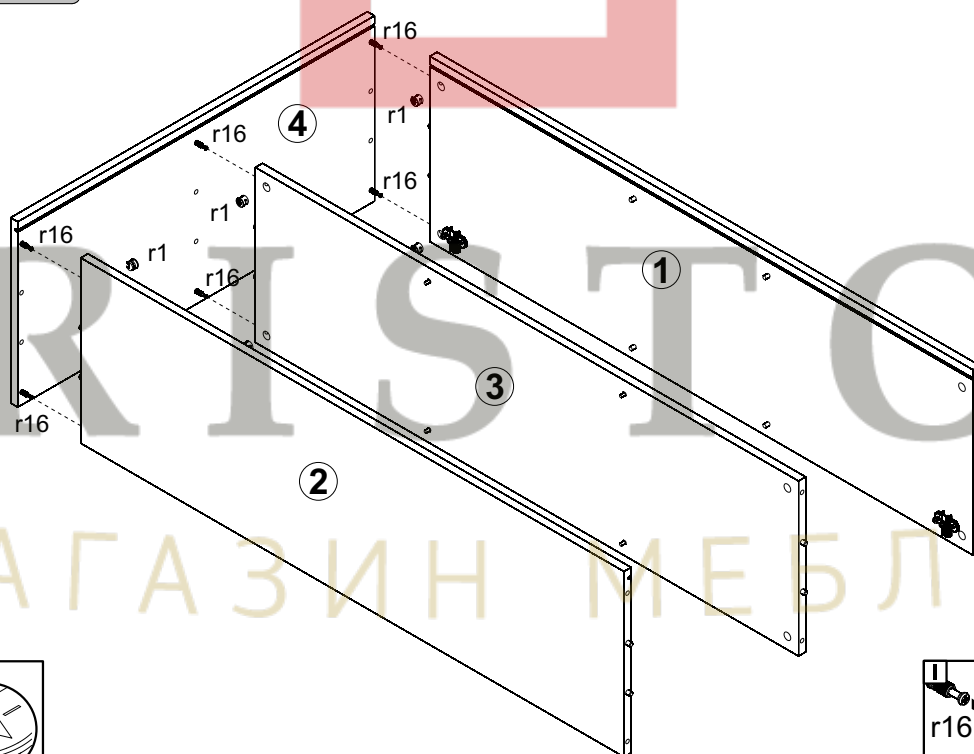
REG1D1W_L



2 P

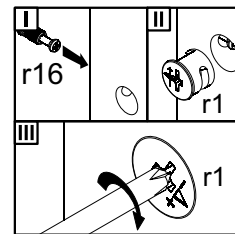
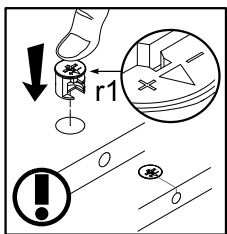
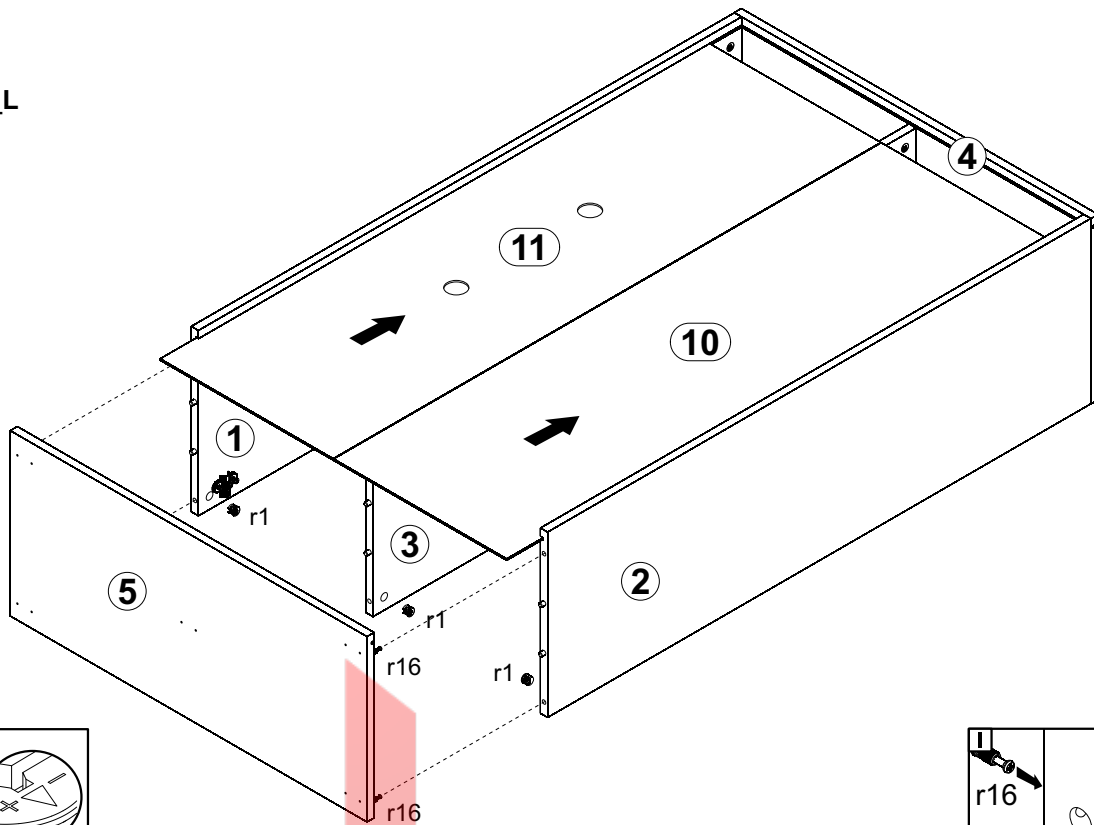


REG1D1W_P



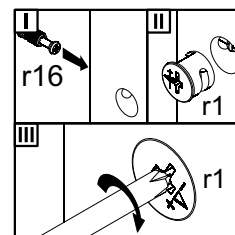
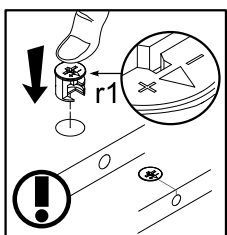
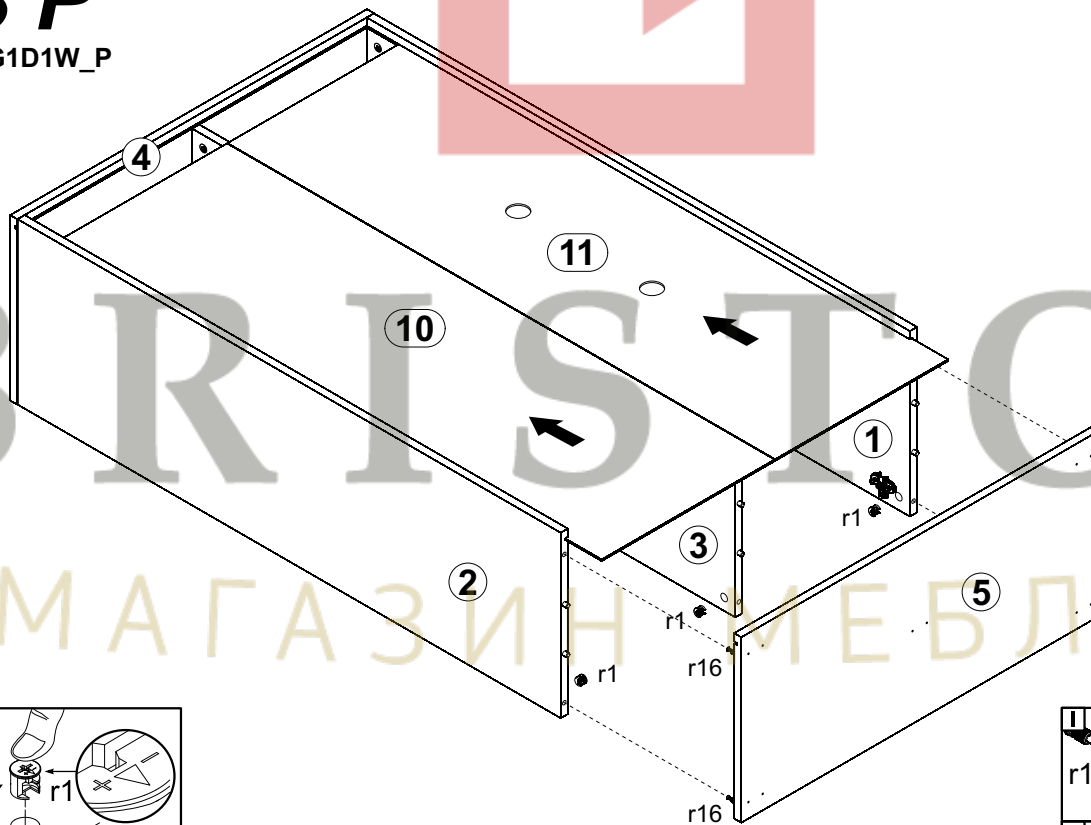
3 L

REG1D1W_L



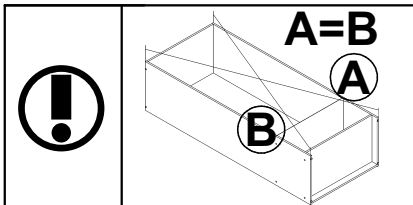
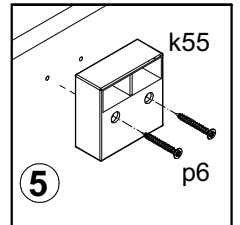
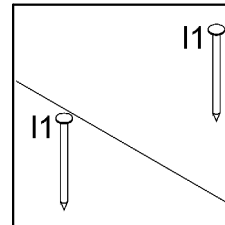
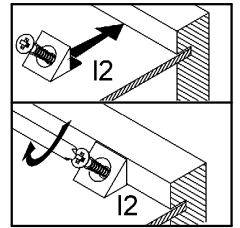
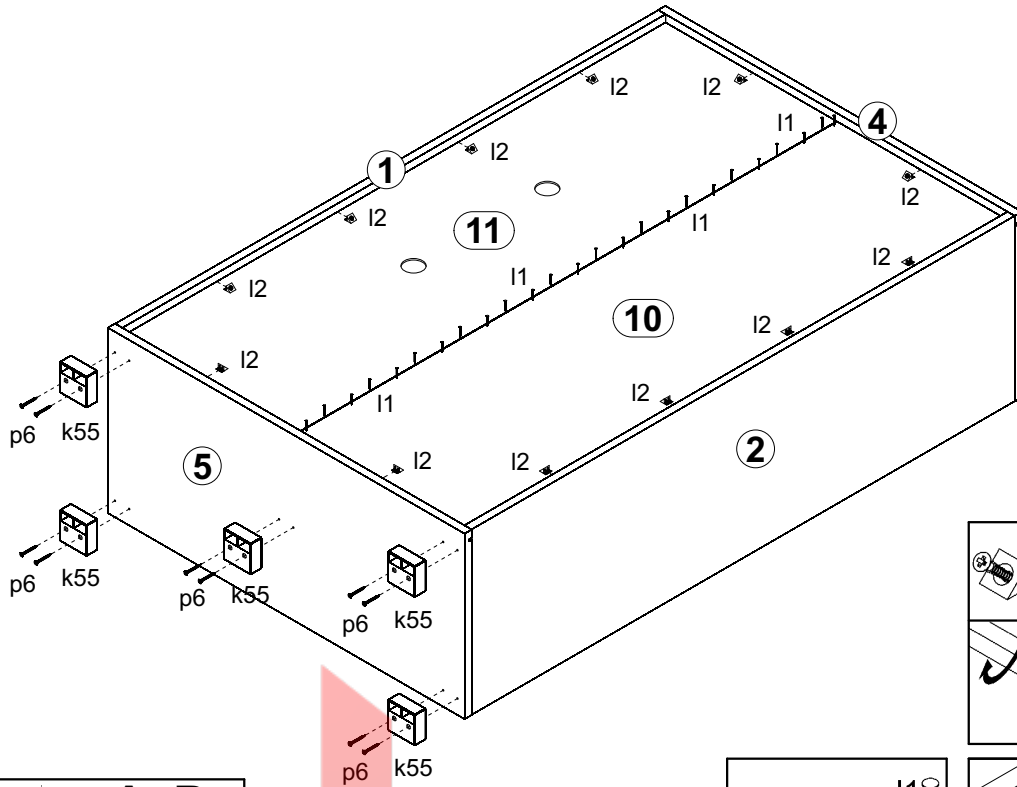
3 P

REG1D1W_P



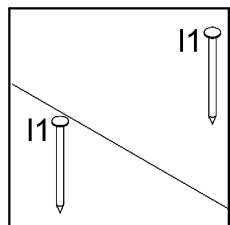
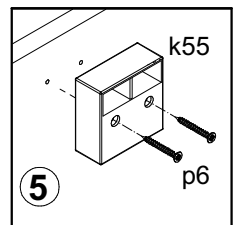
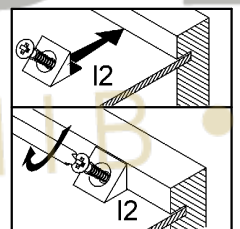
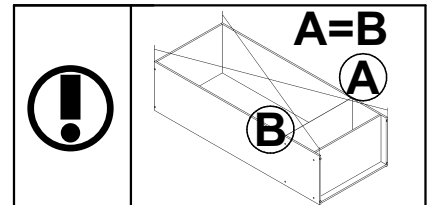
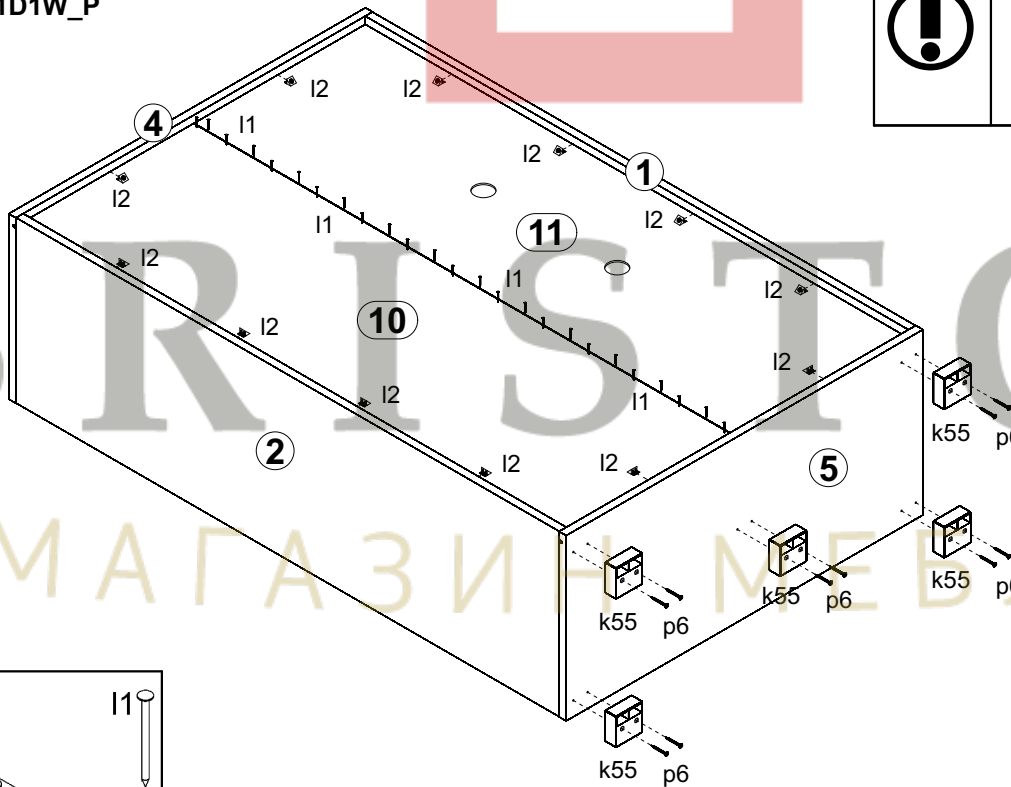
4 L

REG1D1W_L



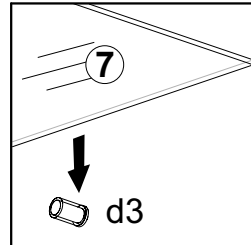
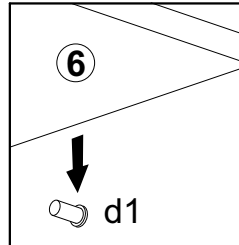
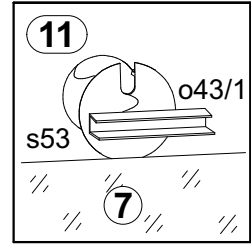
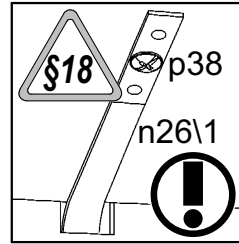
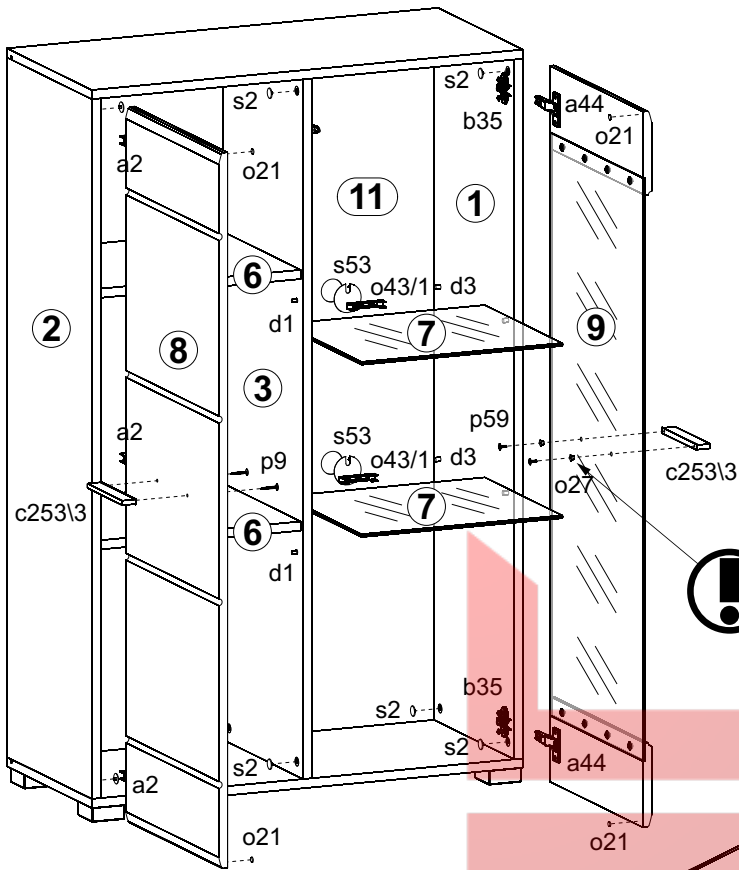
4 P

REG1D1W_P



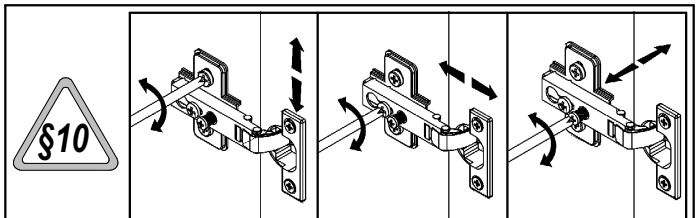
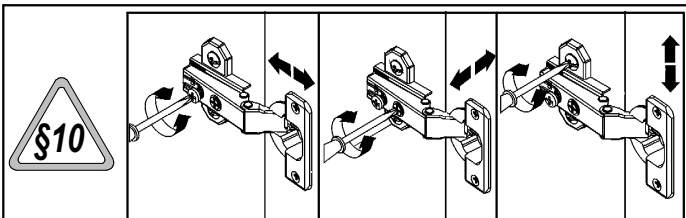
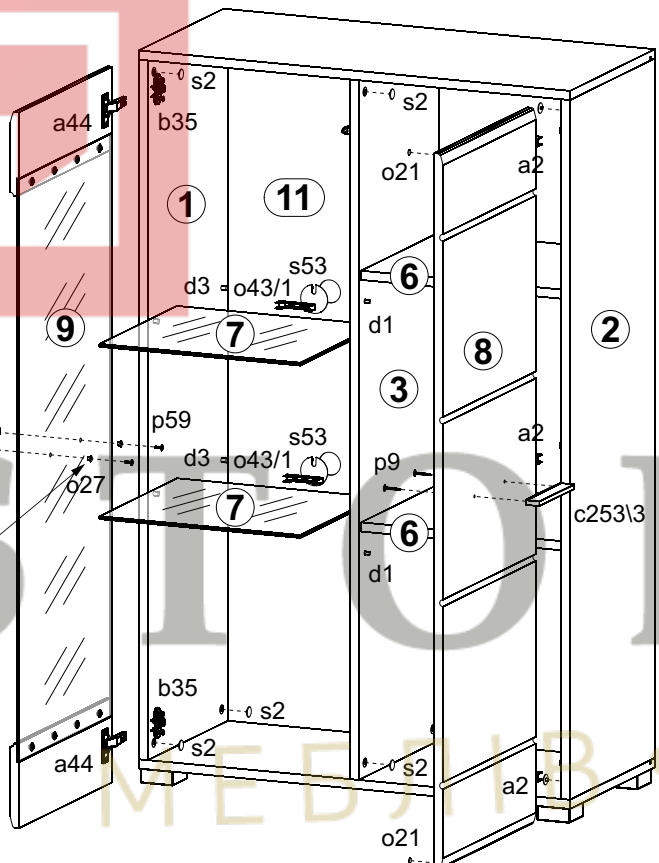
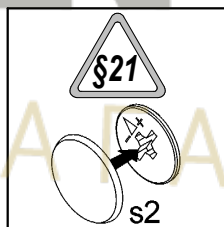
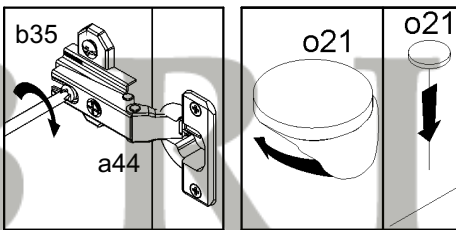
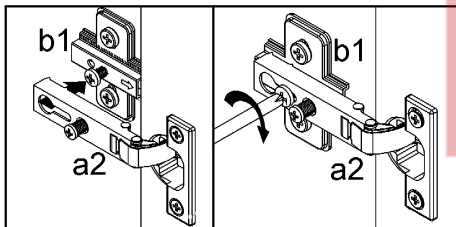
5 L

REG1D1W_L



5 P

REG1D1W_P



ВУШЕР

Полиця / Полка - POL/110

A	B	C	D
1	S154-403	1100	250
2	S154-313	650	224

