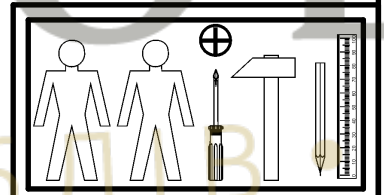
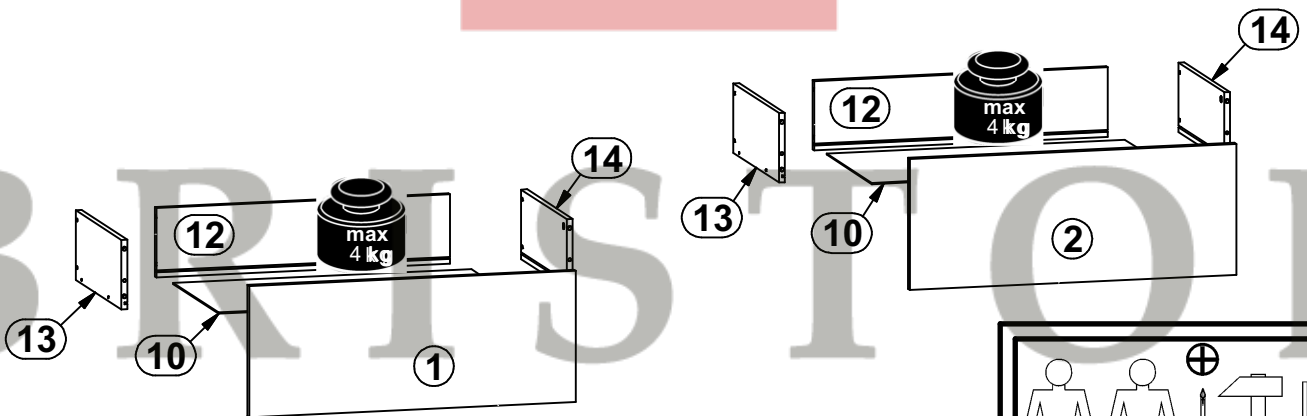
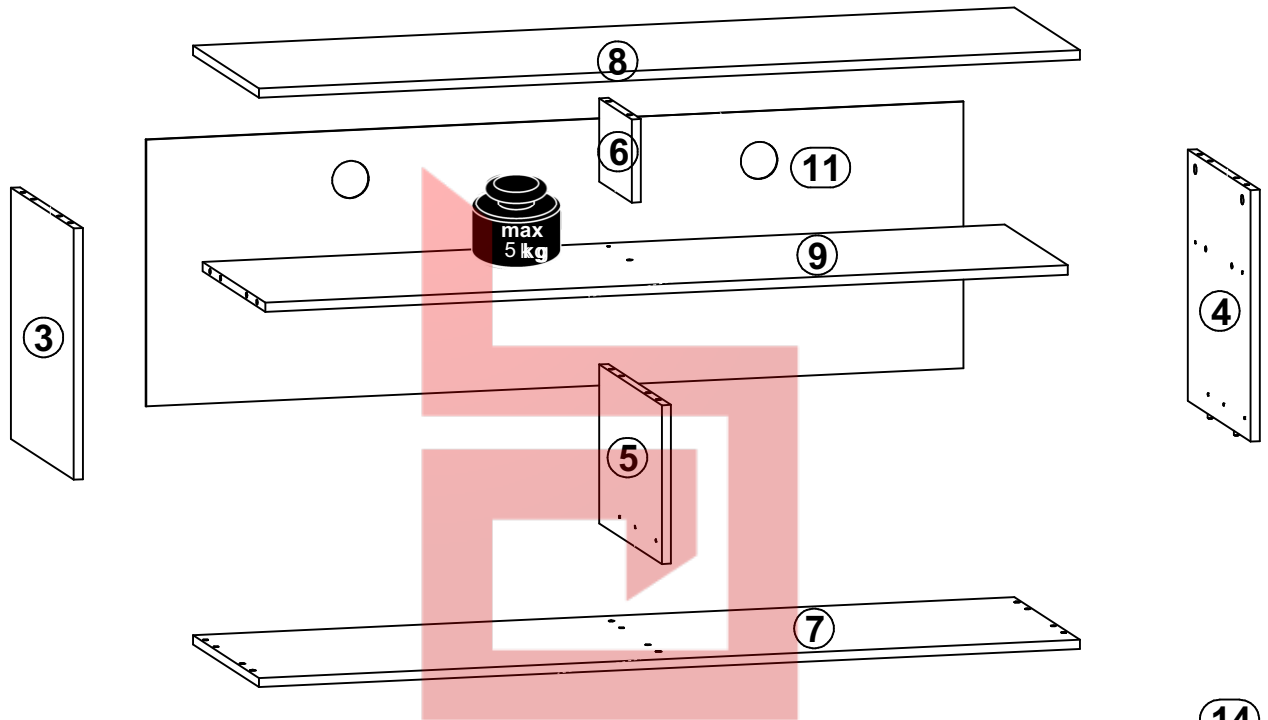
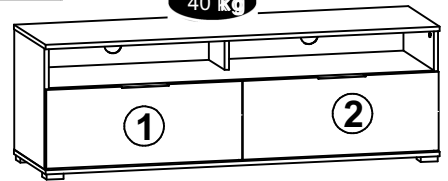
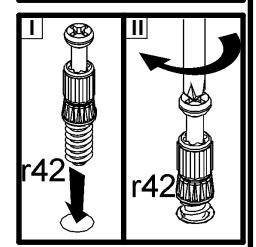
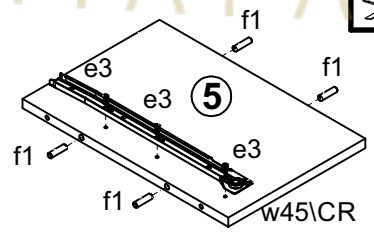
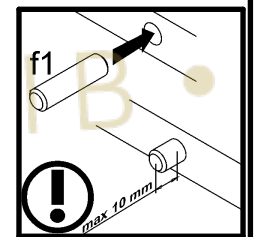
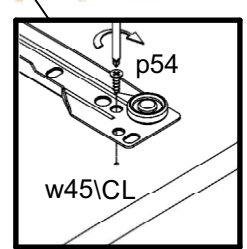
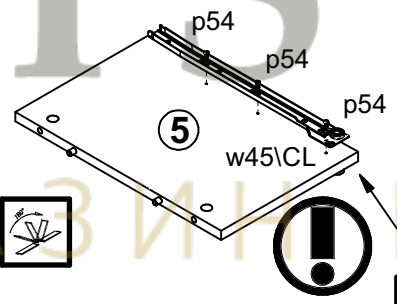
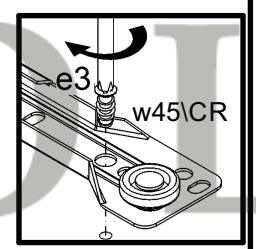
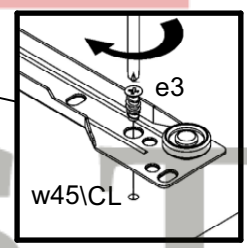
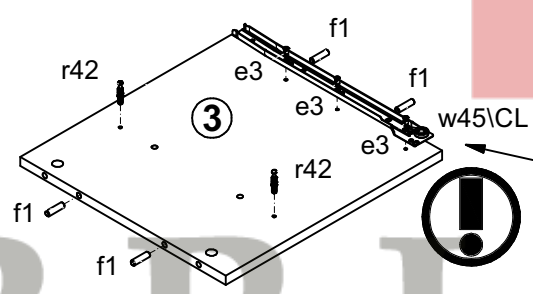
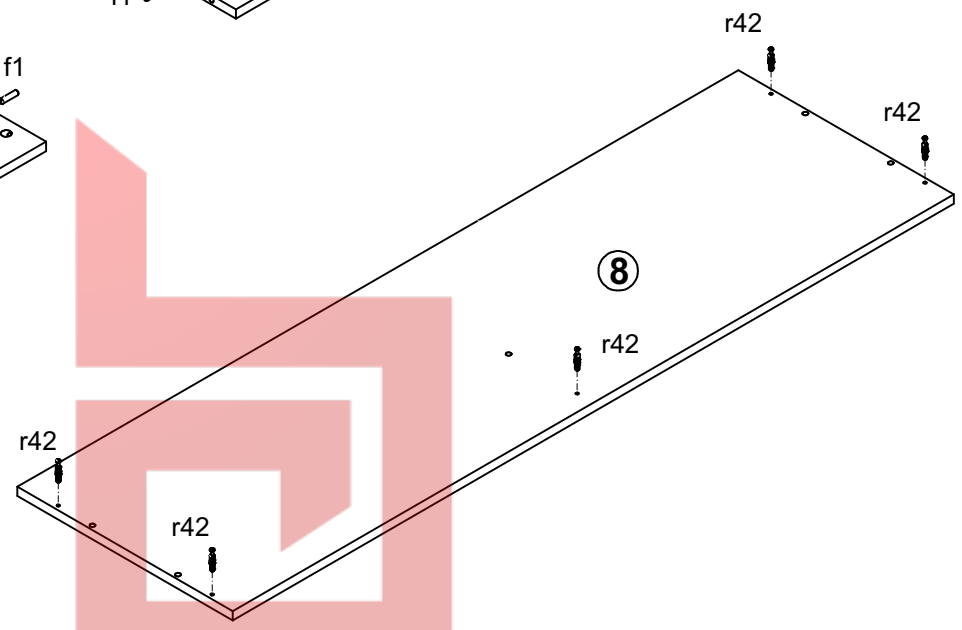
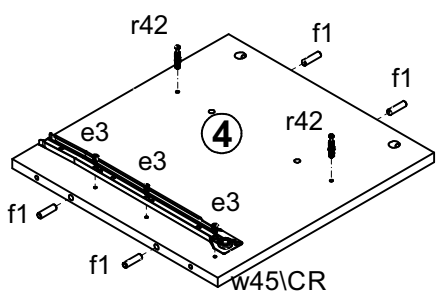
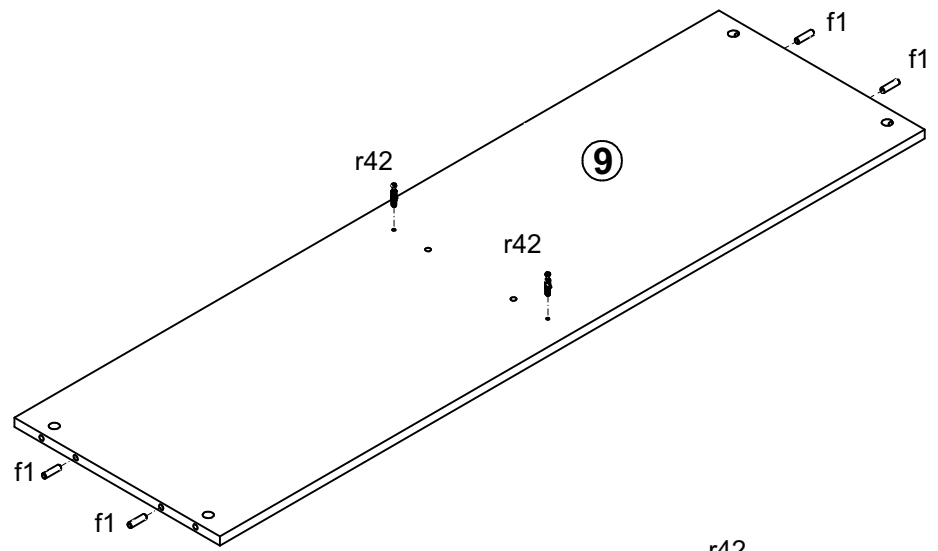


A	B	C	D	A	B	C	D		
1	S383-0008	671	264	2/2	8	S383-22012	1350	403	1/2
2	S383-0009	671	264	2/2	9	S383-33007	1317	380	1/2
3	S383-11014	405	385	1/2	10	S383-99005	603	348	1/2
4	S383-11015	405	385	1/2	11	S383-99006	1344	432	1/2
5	S383-11016	256	385	1/2	12	ZP-5515	593	140	1/2
6	S383-11017	134	200	1/2	13	BP-511	350	140	1/2
7	S383-22011	1350	403	1/2	14	BP-512	350	140	1/2

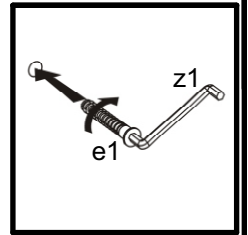
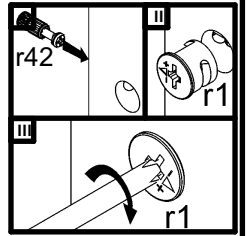
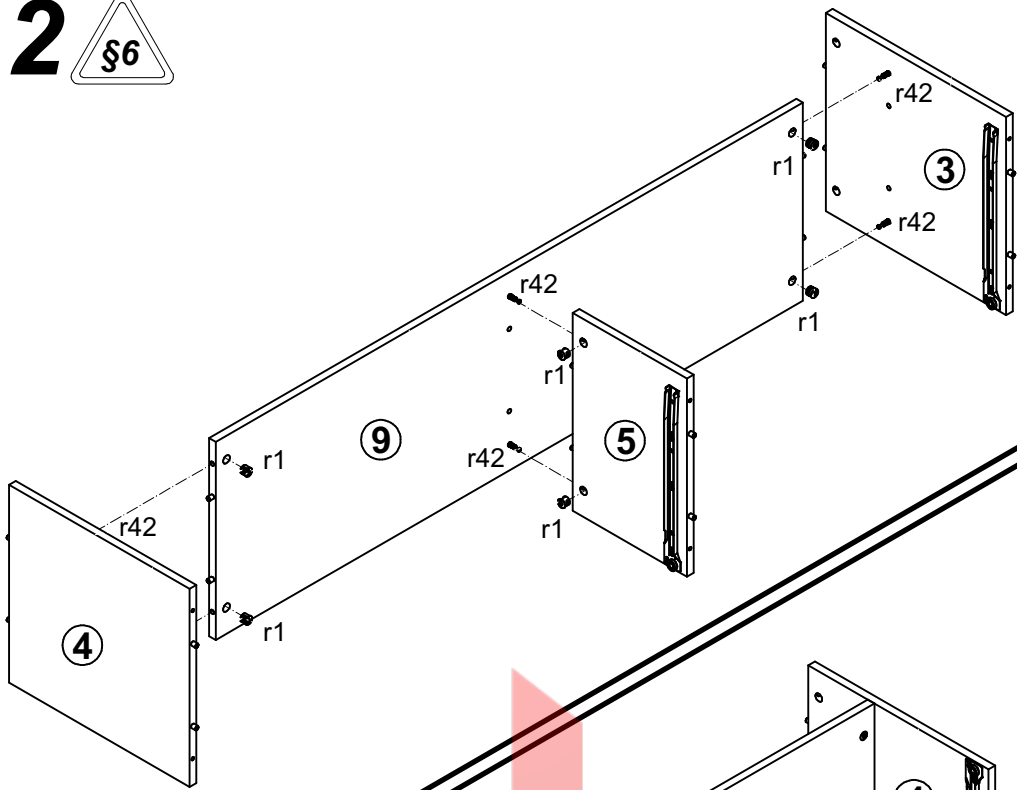


2x 128mm c409	6x Ø7x50 mm e1	19x Ø6x13 mm e3	8x Ø5x9 mm e19	18x Ø8x30 mm f1	4x Ø6x30 mm f9	8x Ø6.5x40 mm f25	5x k82\1	5x k82\2
55x l1	4x Ø3.5x16 mm p25	3x Ø3x12 mm p54	4x Ø4x13 mm p93	20x Ø15x12 mm #16 r1	8x silikon o21	20x 20\11 r42	2x 333 mm t19	2x 350 mm w45\CL
2x 350 mm w45\CR	2x 350 mm w45\DL	2x 350 mm w45\DR	7x Ø16 s2	1x 4 mm z1				
							1x n26\1	1x Ø3.5x16 mm p38

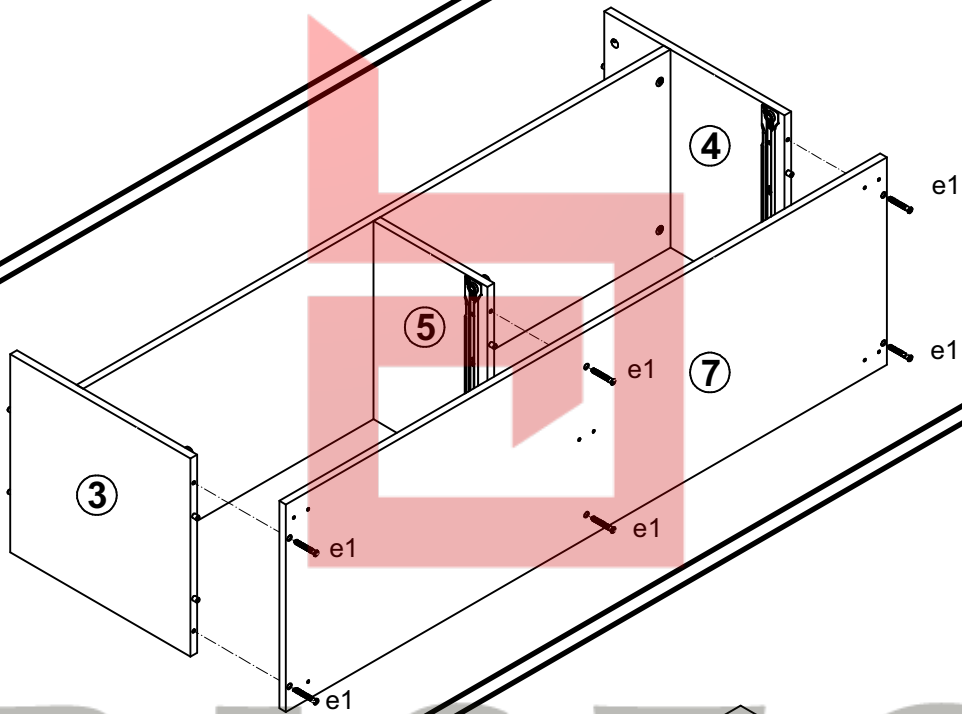
1



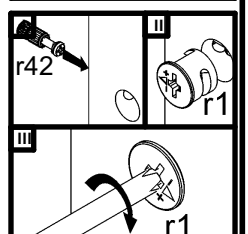
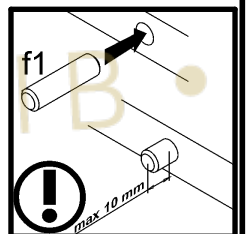
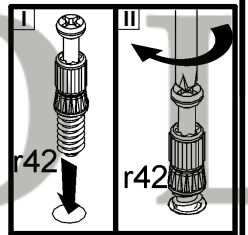
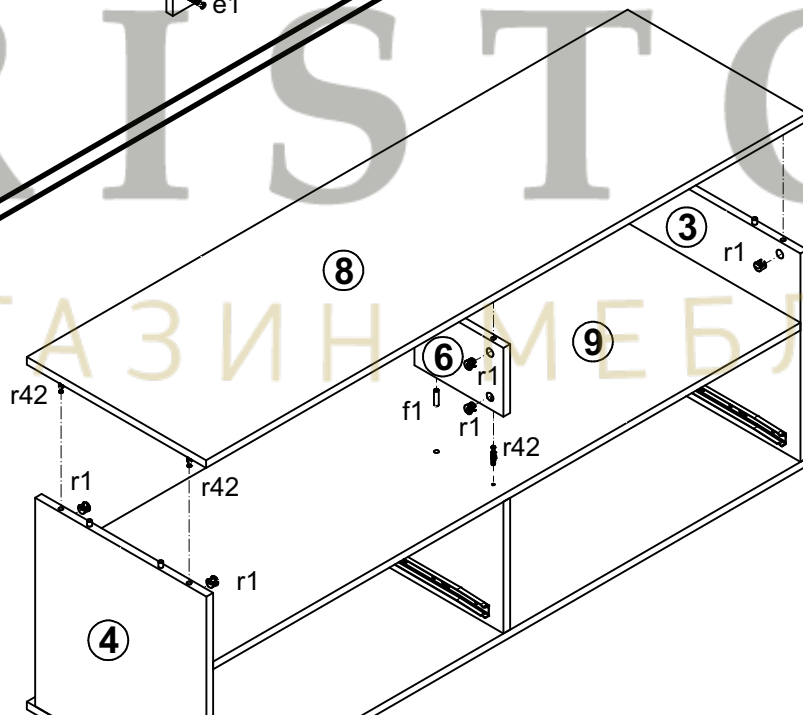
2 §6



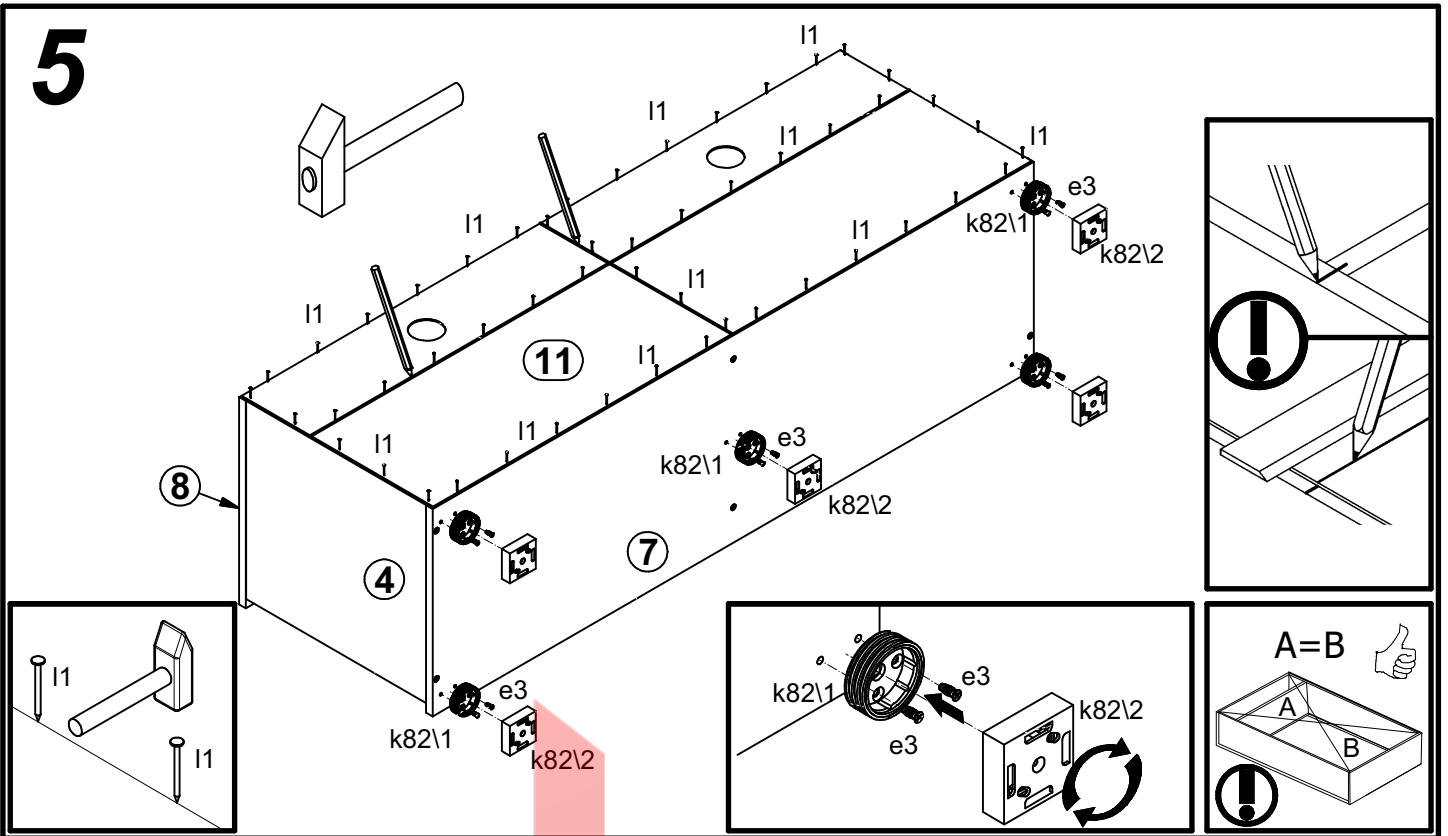
3



4



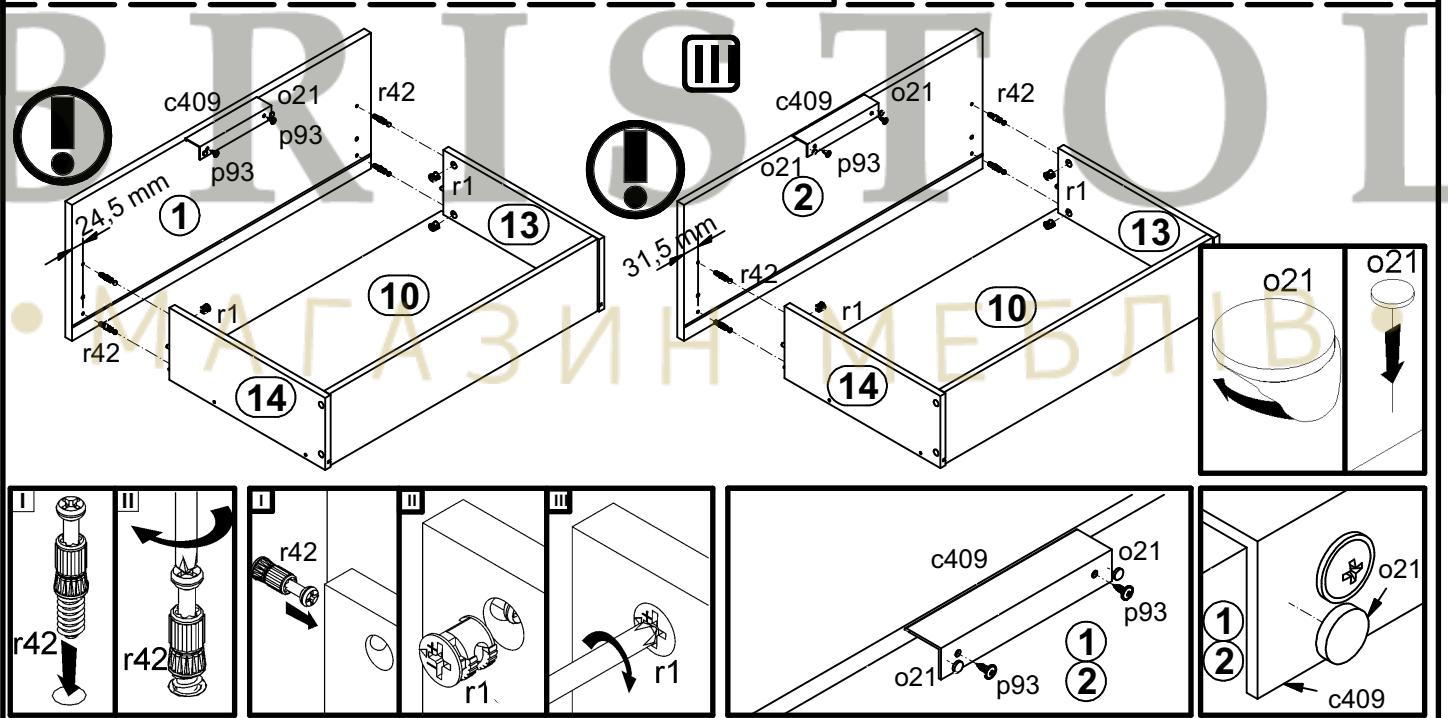
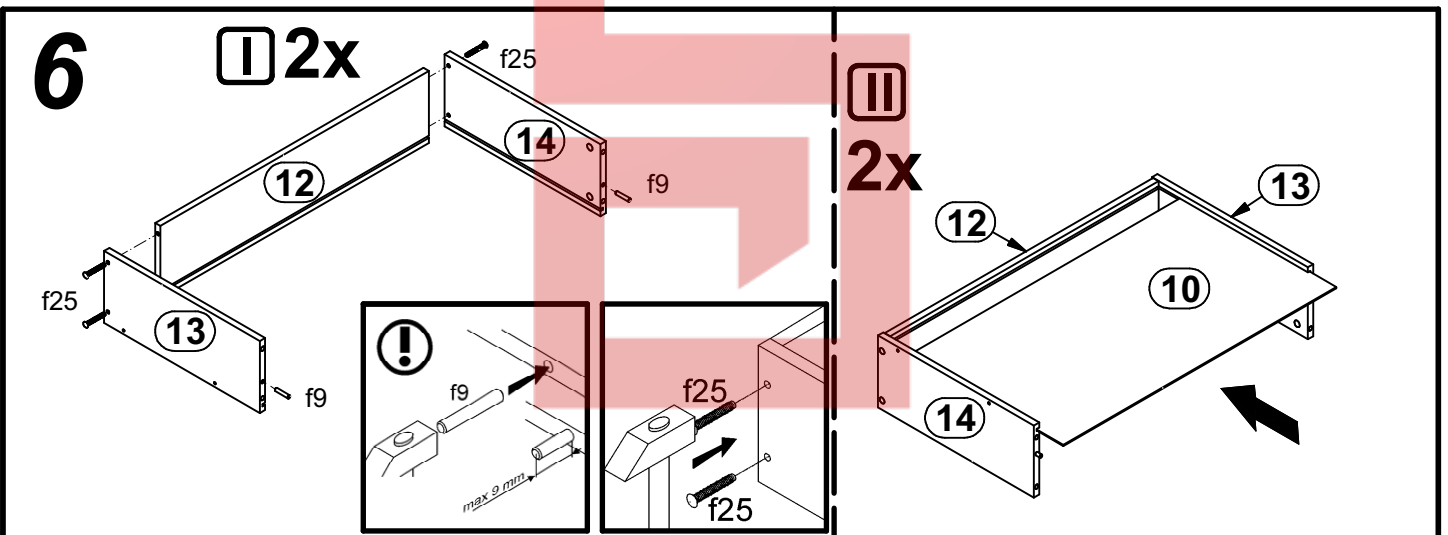
5



6

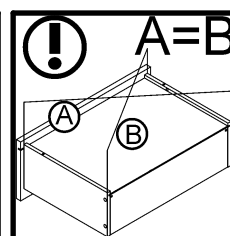
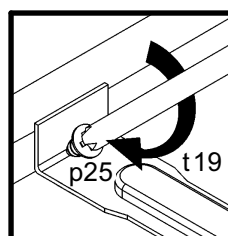
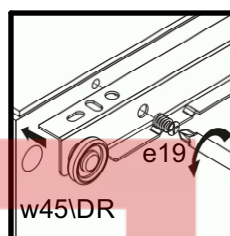
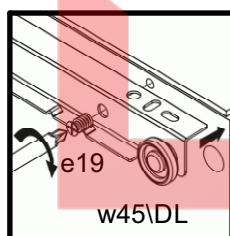
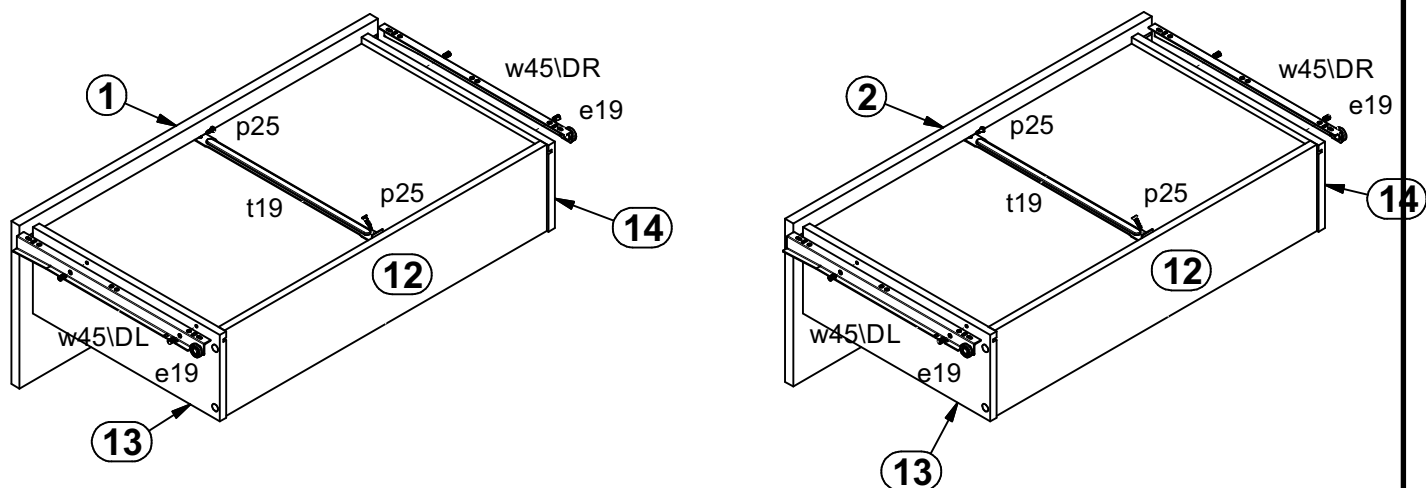
I 2x

II 2x



6

IV



7

