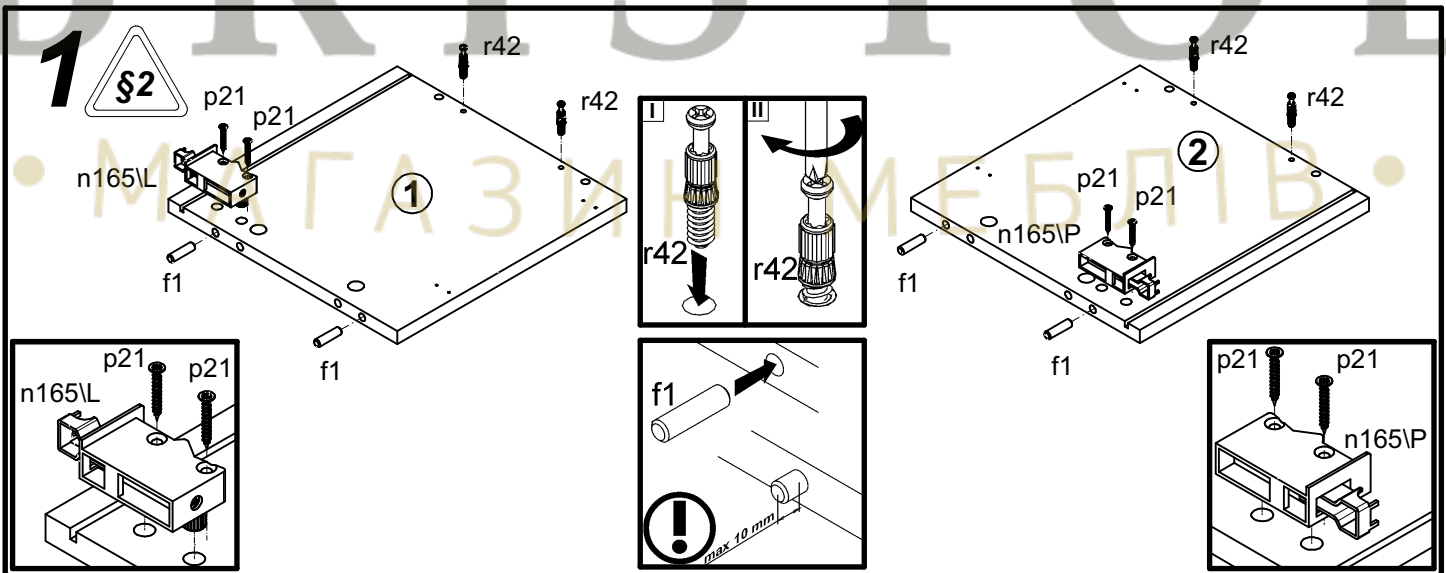
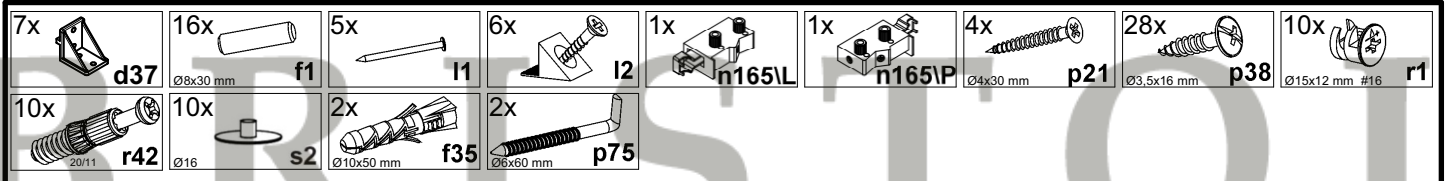
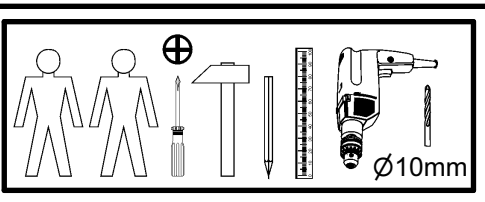
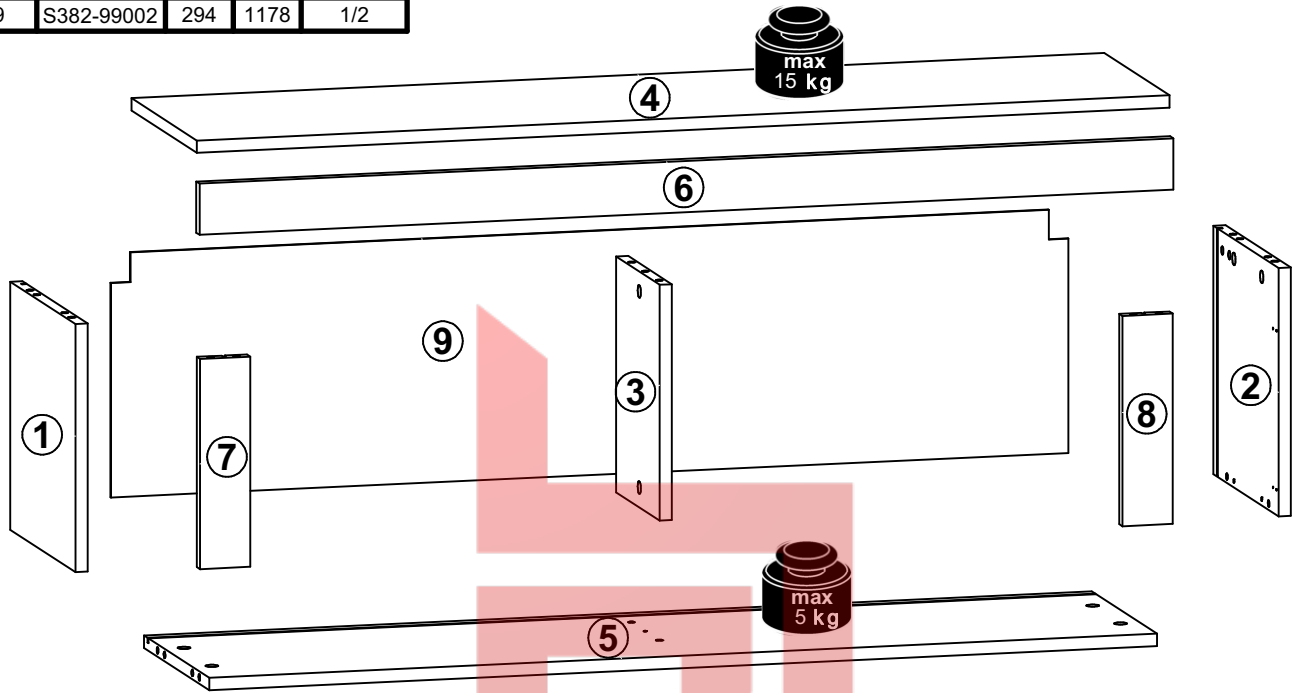
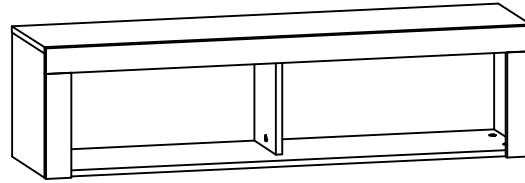
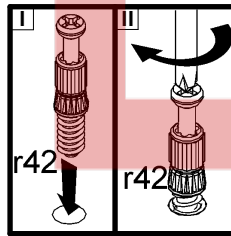
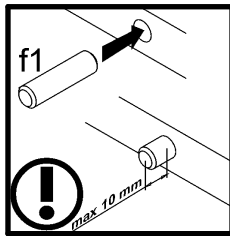
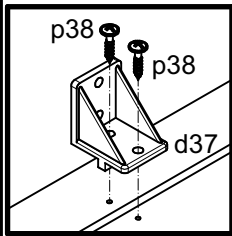
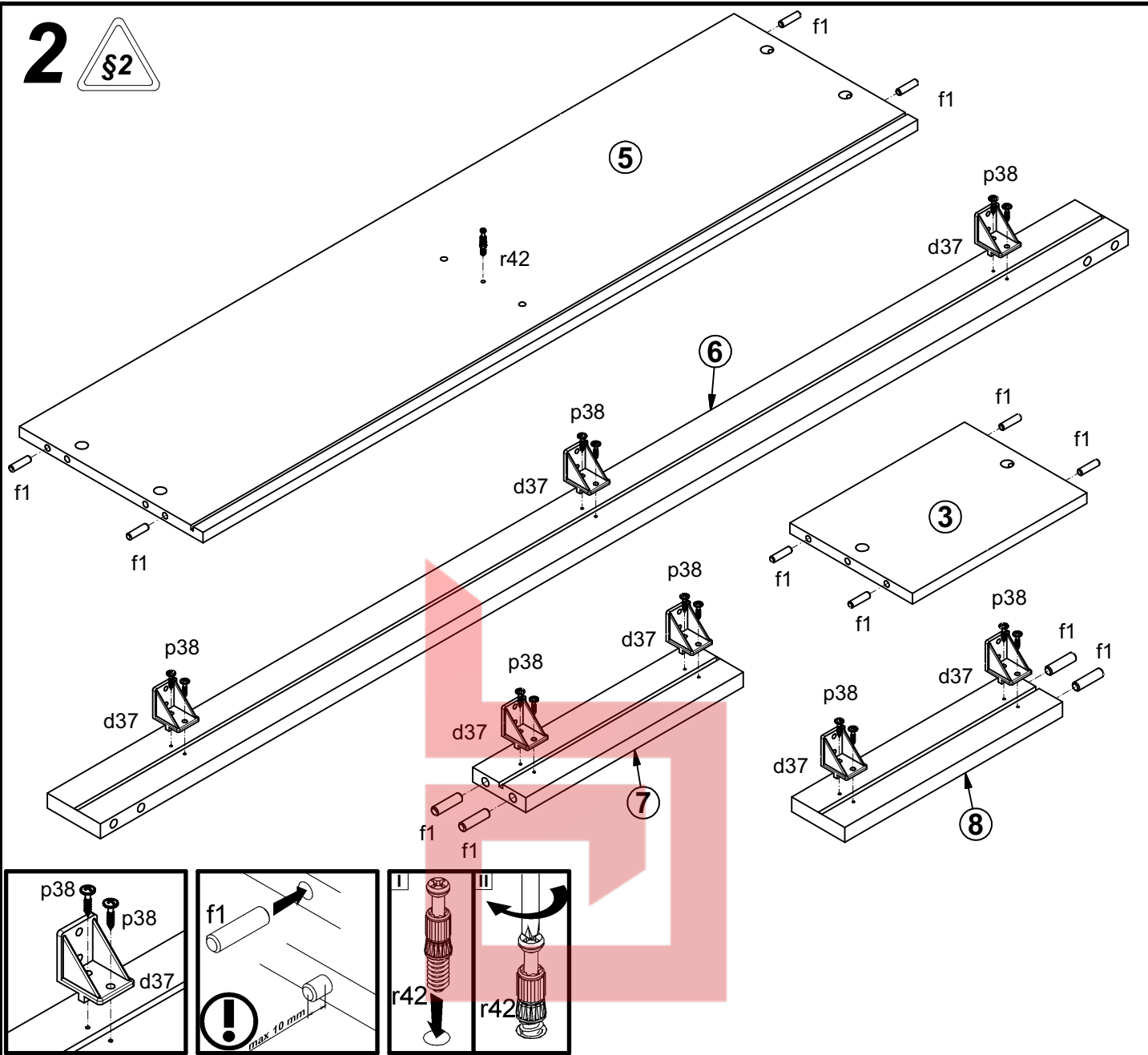


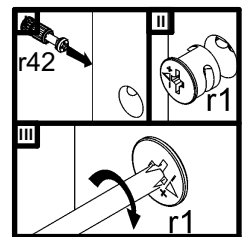
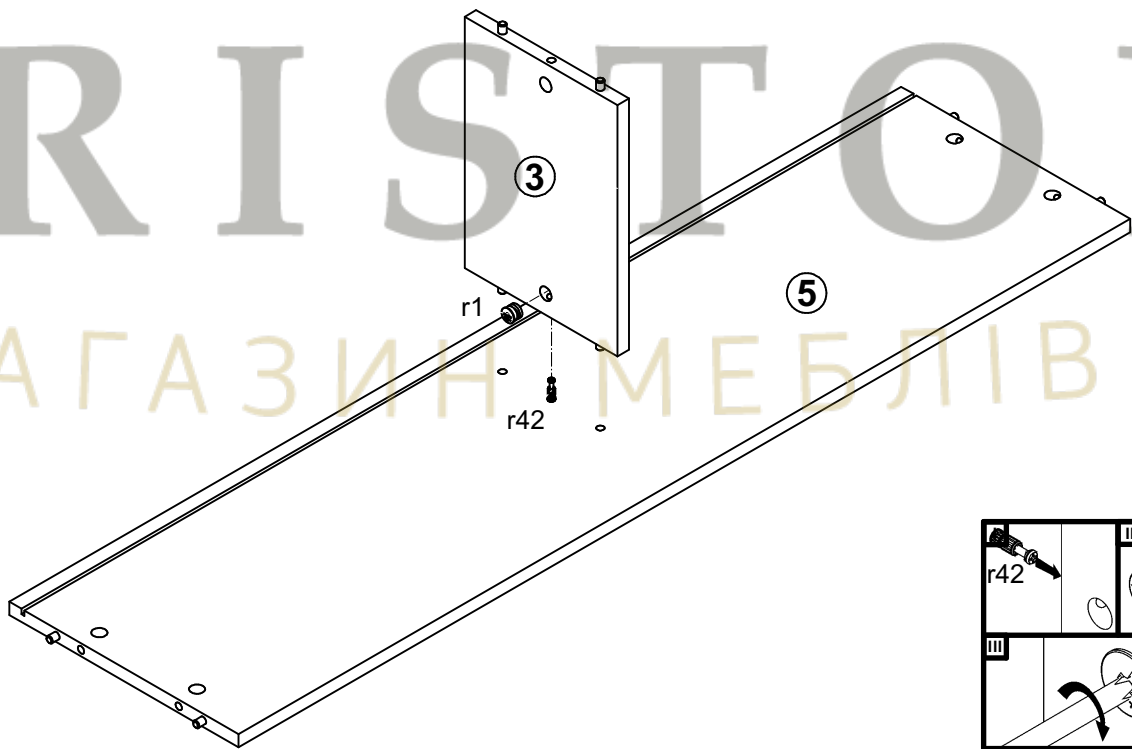
A	B	C	D	
1	S382-11004	300	300	1/2
2	S382-11005	300	300	1/2
3	S382-11006	284	200	1/2
4	S382-22002	1199	300	1/2
5	S382-33004	1166	300	1/2
6	S382-55004	1200	62	2/2
7	S382-55005	255	62	2/2
8	S382-55006	255	62	2/2
9	S382-99002	294	1178	1/2

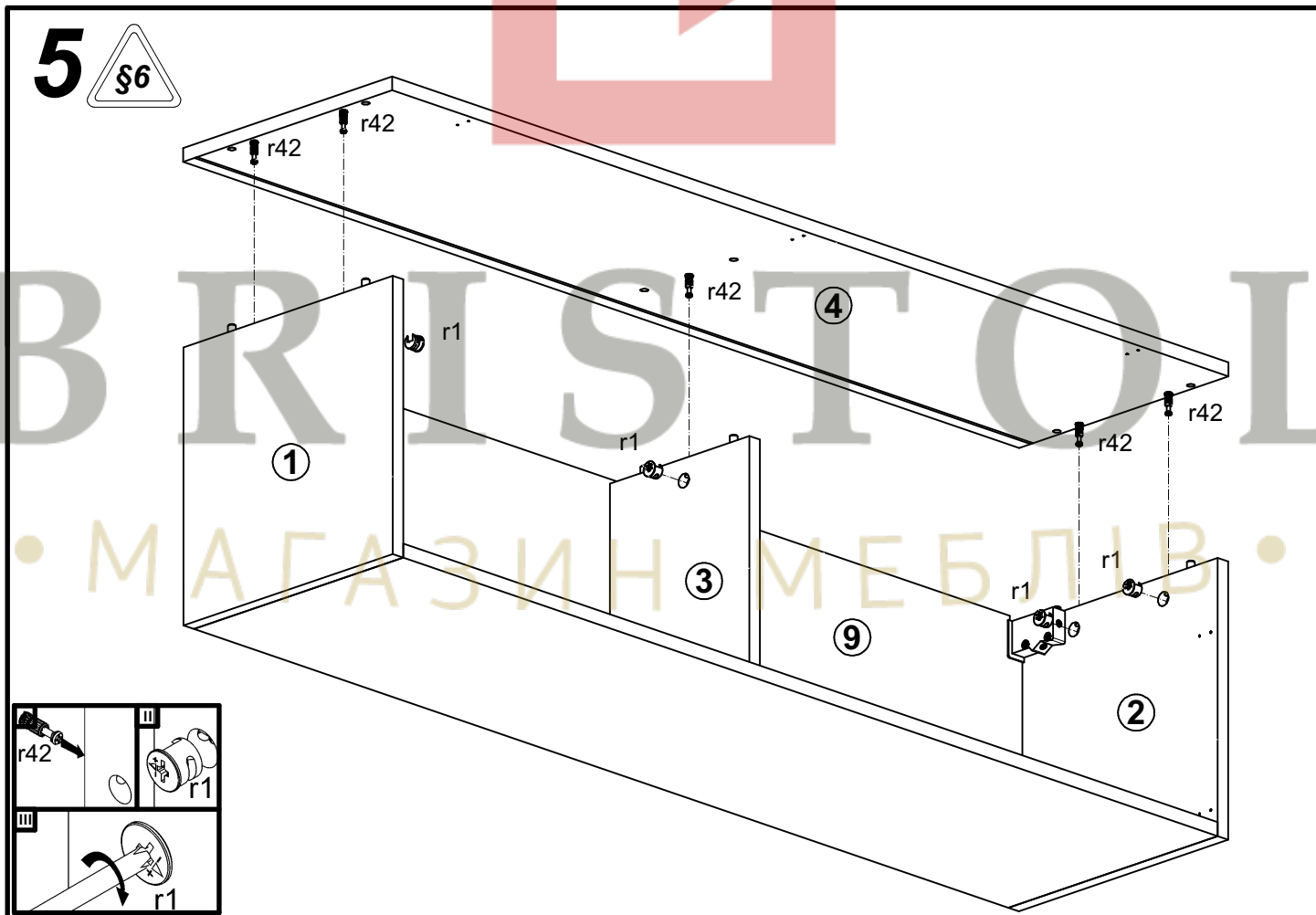
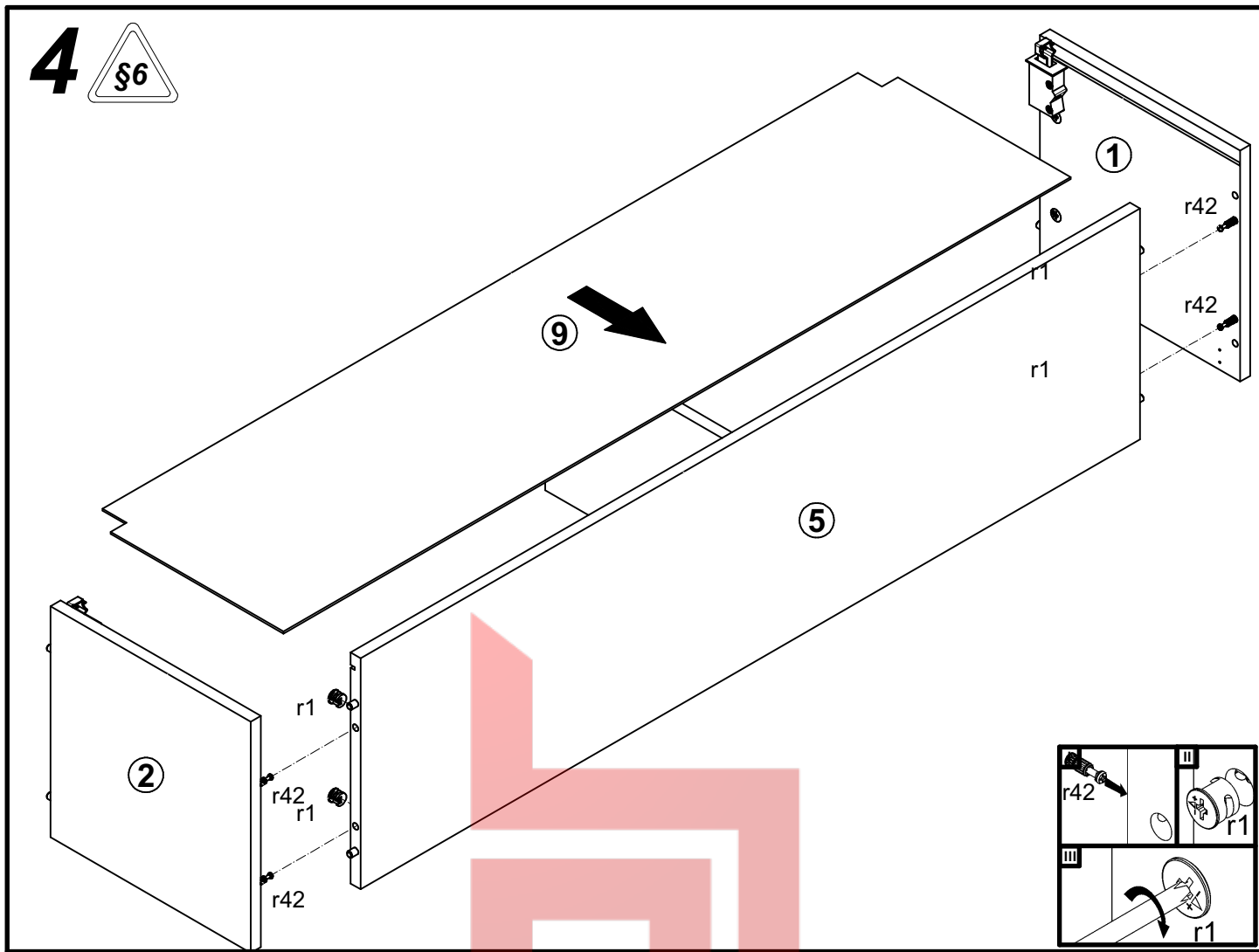


2

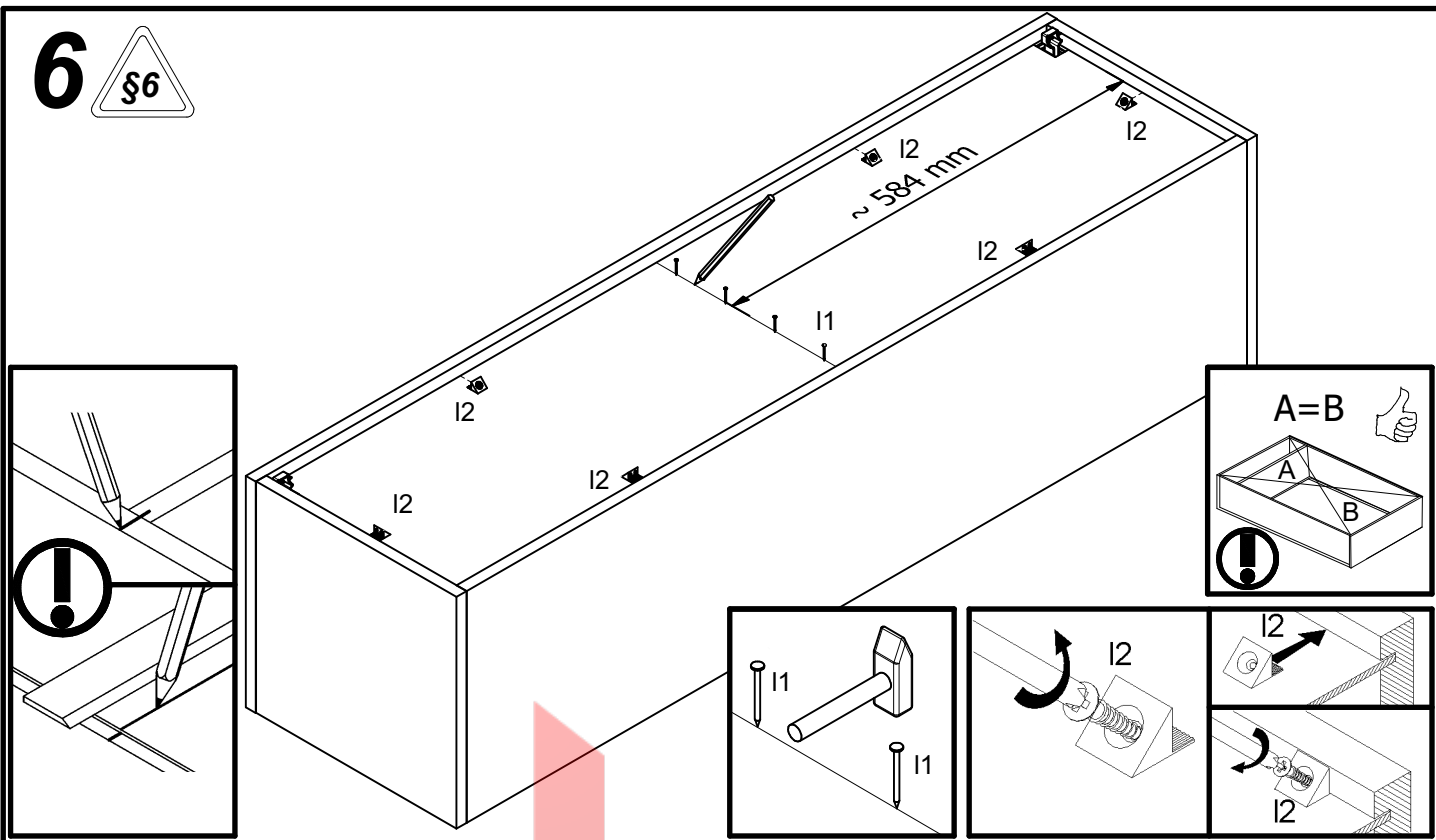


3

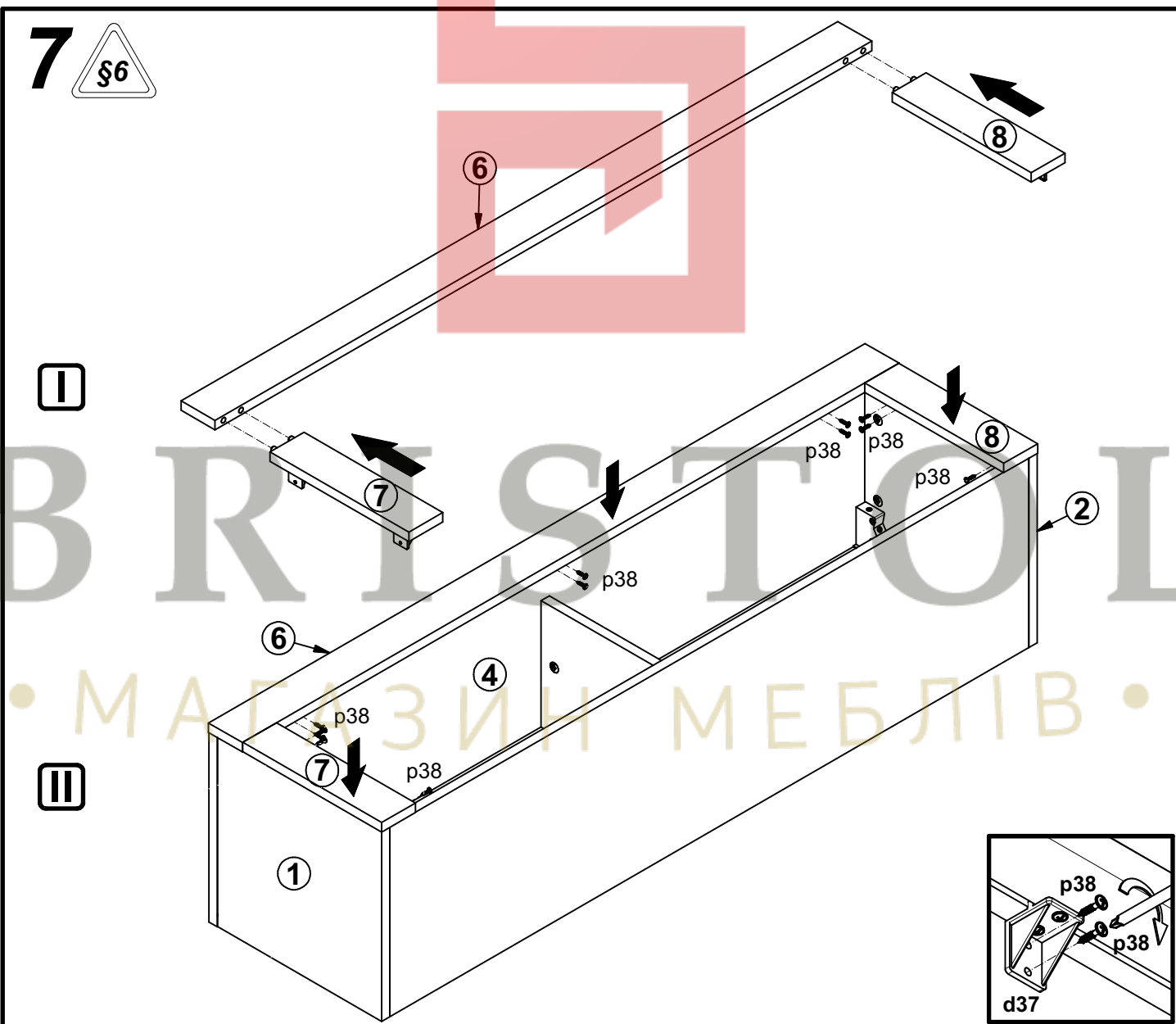




6



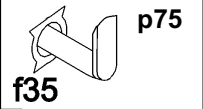
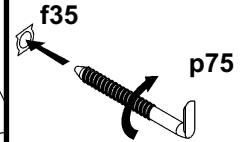
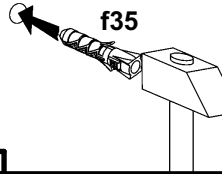
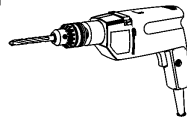
7



8

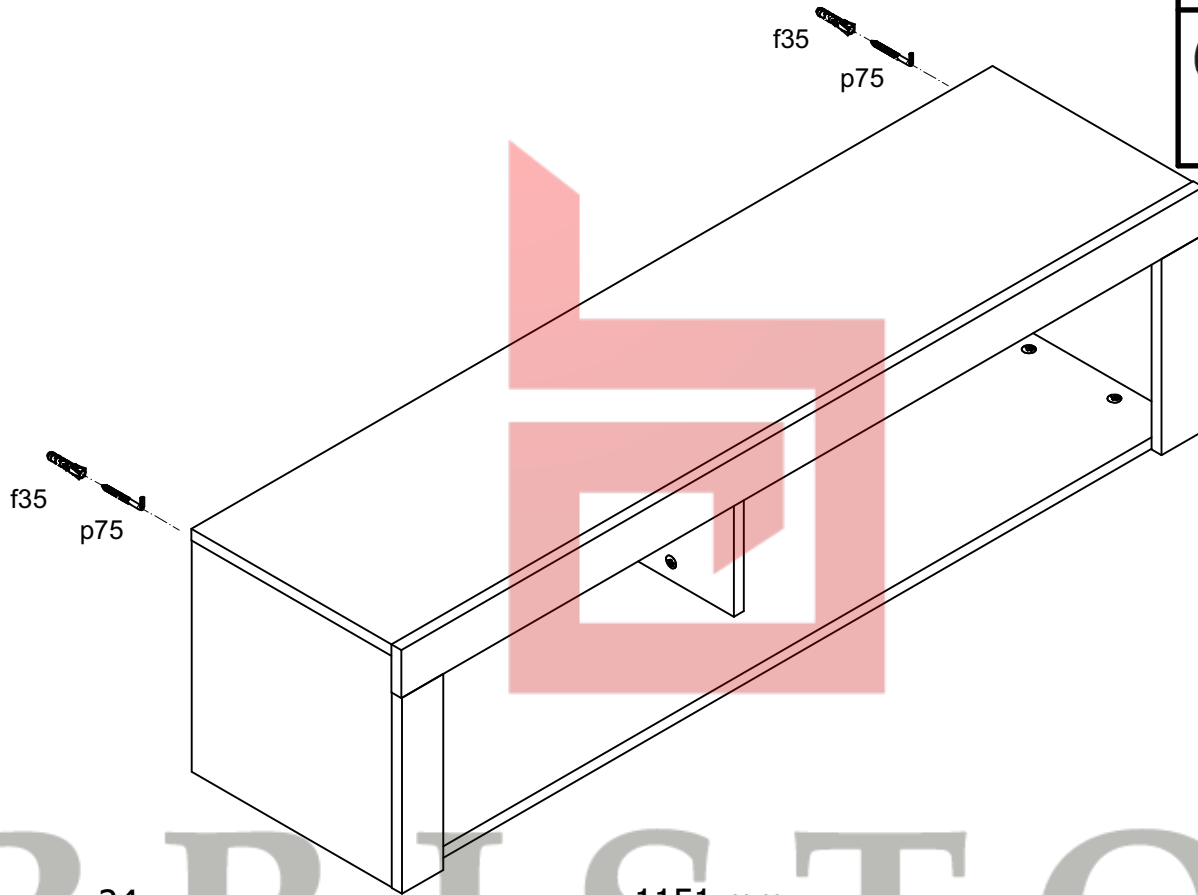
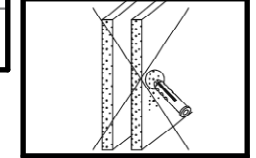
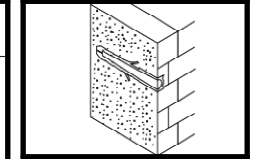
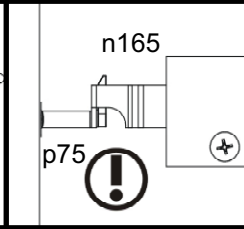
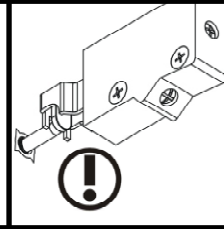
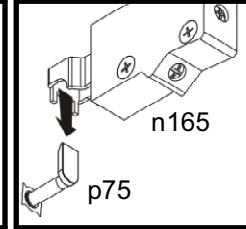
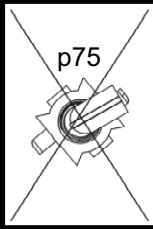
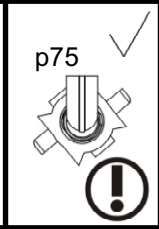
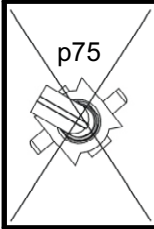


φ10 mm



f35

IV



24 mm

1151 mm

24 mm

