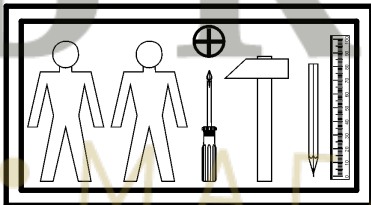
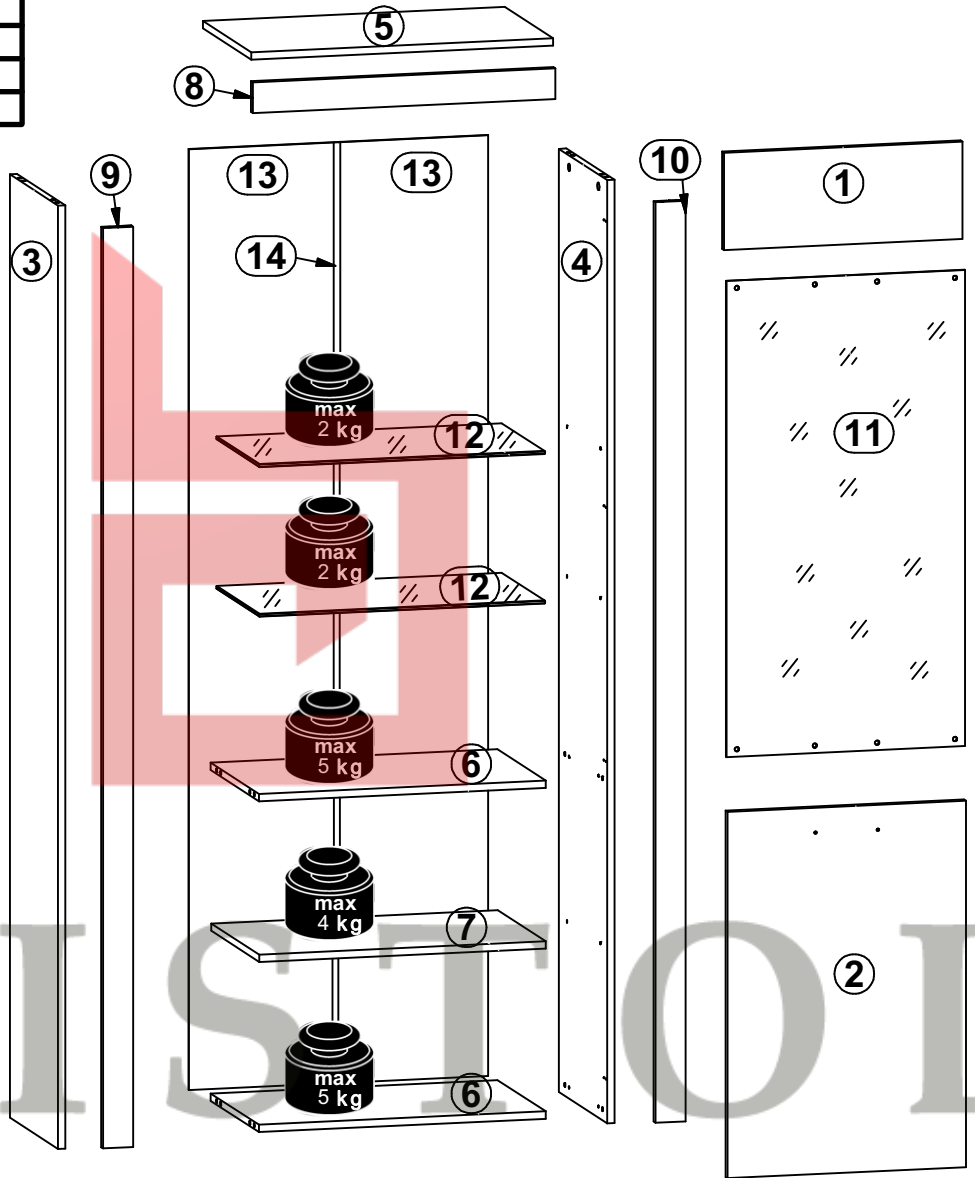
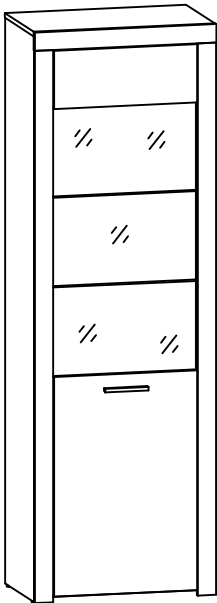
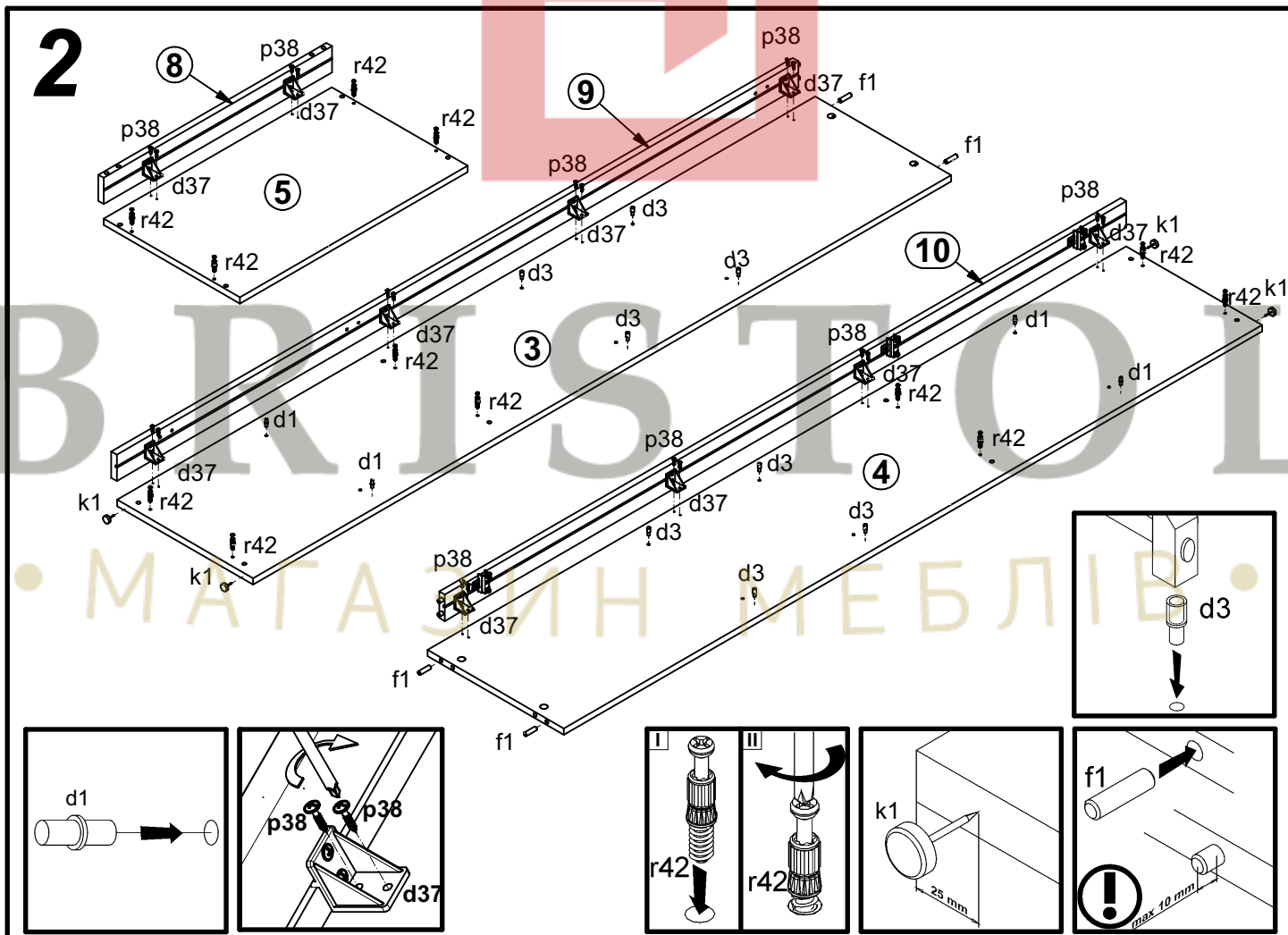
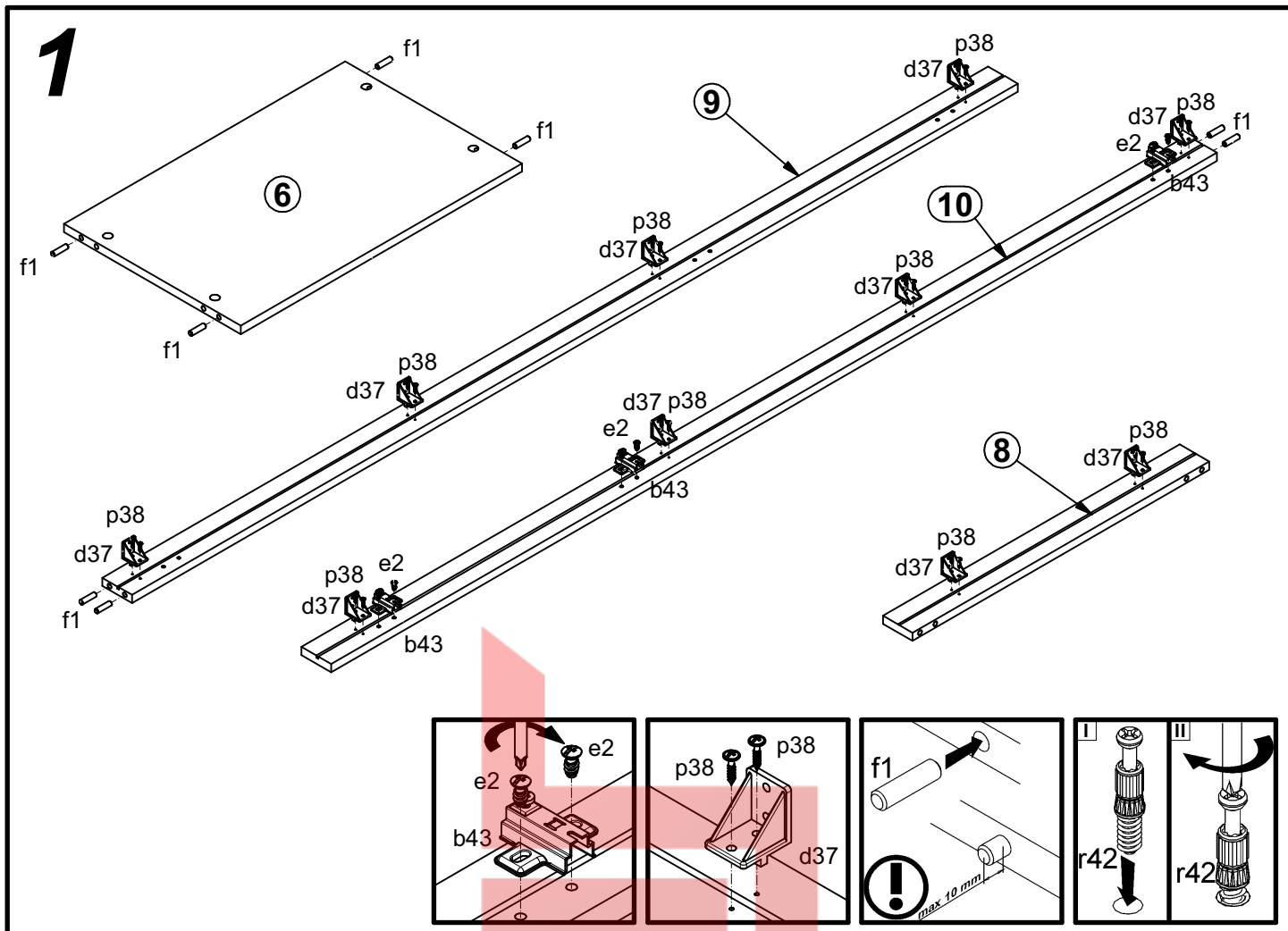


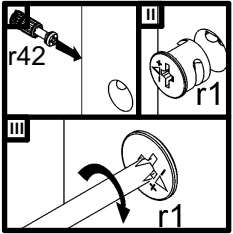
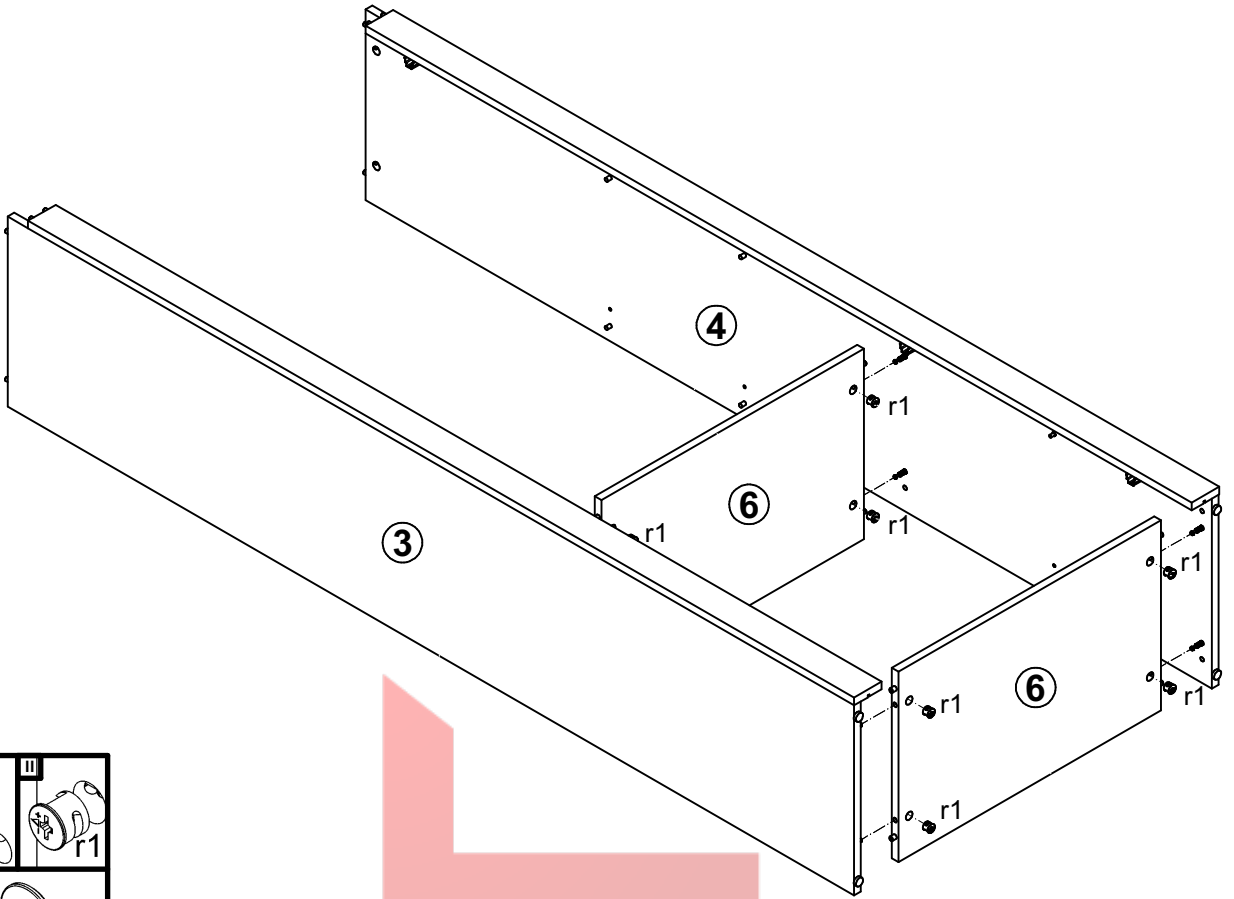
A	B	C	D
1	S382-00013	196	490 3/3
2	S382-00014	490	738 3/3
3	S382-11027	1900	370 1/3
4	S382-11028	1900	370 1/3
5	S382-22006	620	370 2/3
6	S382-33013	587	370 2/3
7	S382-33014	586	368 2/3
8	S382-55015	621	62 1/3
9	S382-55021	1855	62 1/3
10	S382-55022	1855	62 1/3
11	S382-5026	959	490 3/3
12	S382-55027	585	330 2/3
13	S382-99503	1896	307 1/3
14	Lh-1863	1863	14 1/3



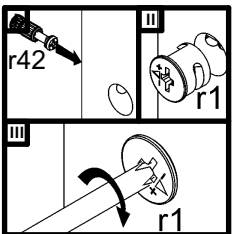
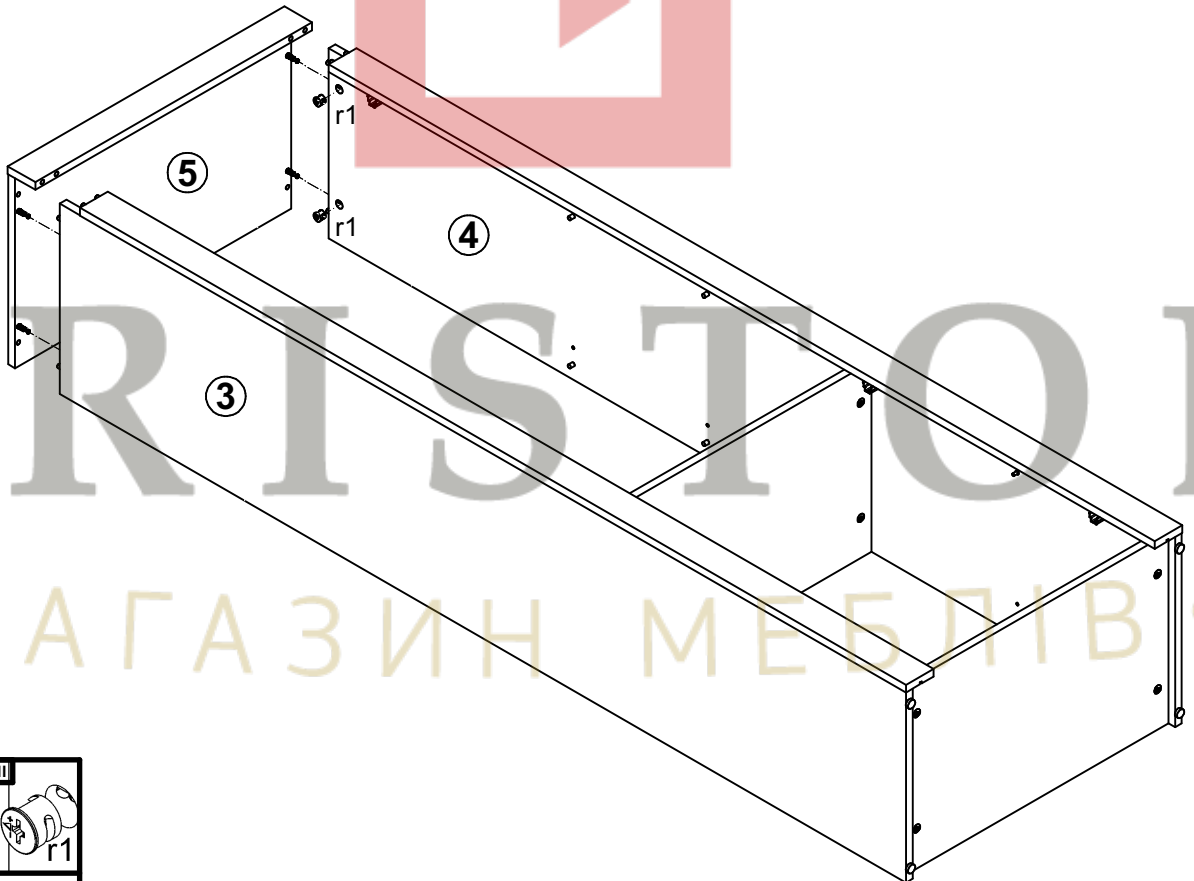
3x a132	3x b43	1x c328 128 mm	4x d1 Ø5x17 mm	8x d3 Ø5x17 mm	10x d37	6x e2 Ø6,3x13 mm	8x e41 Ø5x12 mm	16x f1 Ø8x30 mm	
4x k1	55x l1	8x o54 Ø5,3/Ø6,3x4,8 mm	40x p38 Ø3,5x16 mm	6x p51 Ø3,5x15 mm	2x p87 Ø4x25 mm	12x r1 Ø15x12 mm #16	12x r42 20x11	4x s2 Ø16	
								1x n2611	1x p38 Ø3,5x16 mm



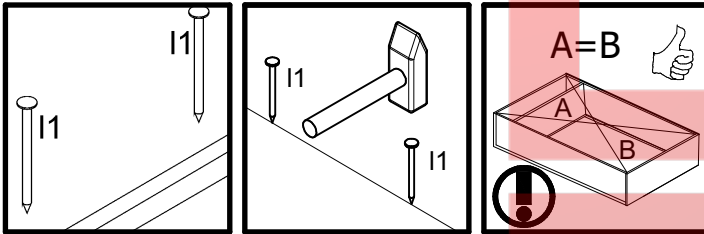
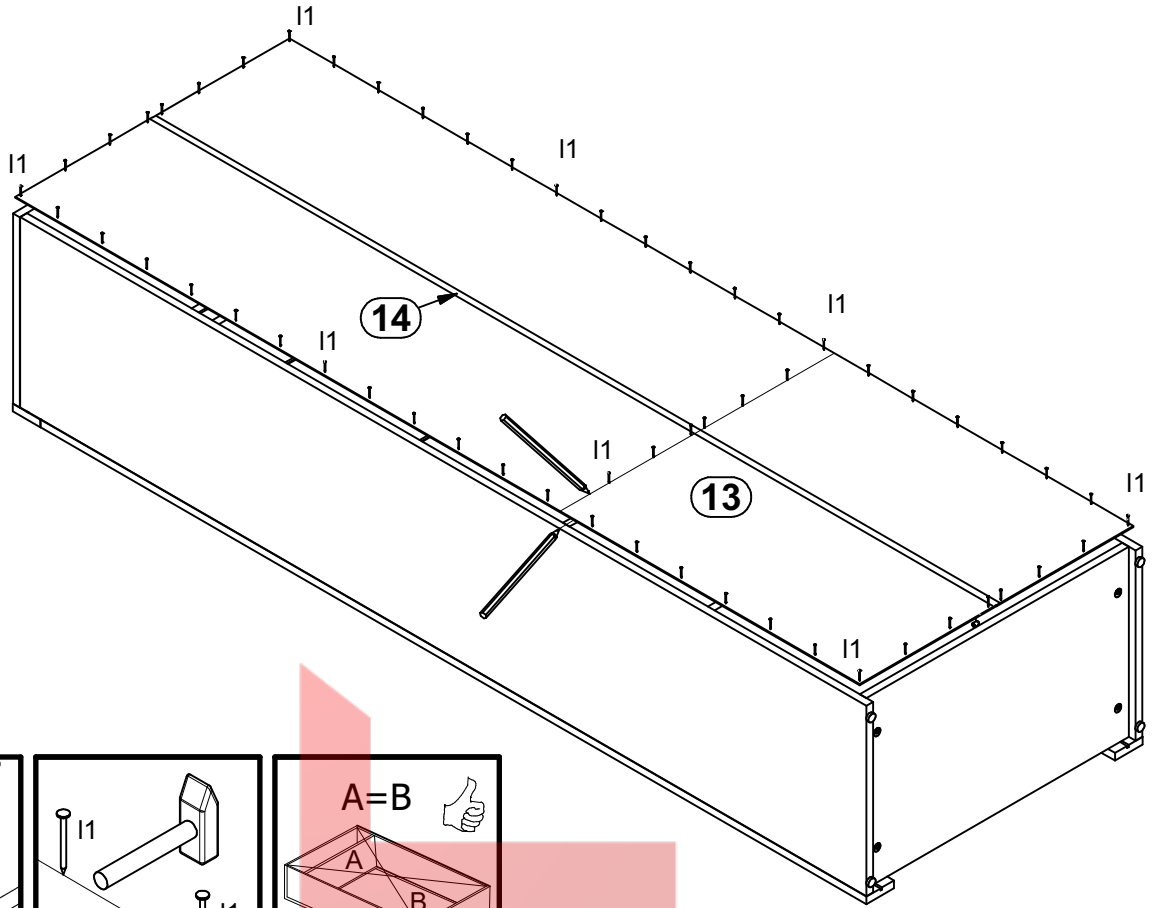
3



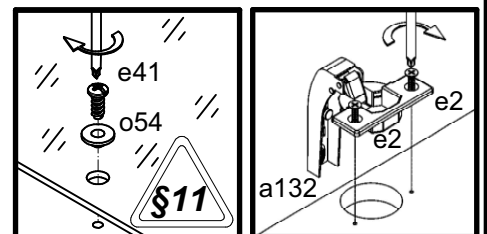
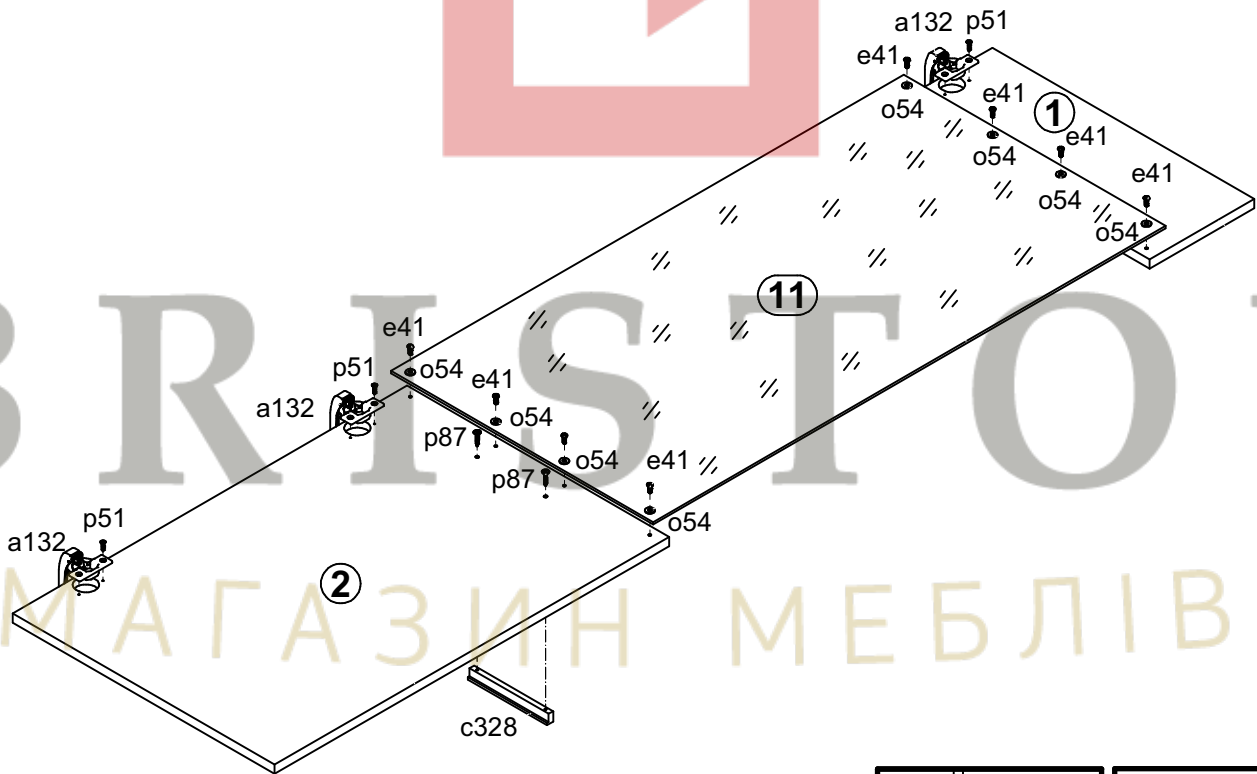
4



5



6



7

