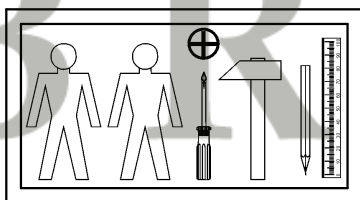
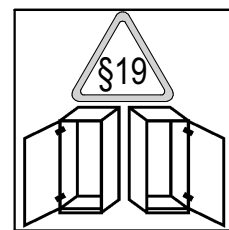
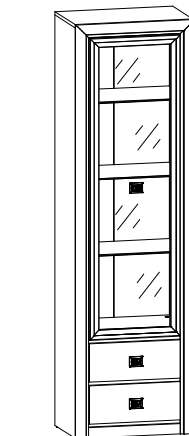
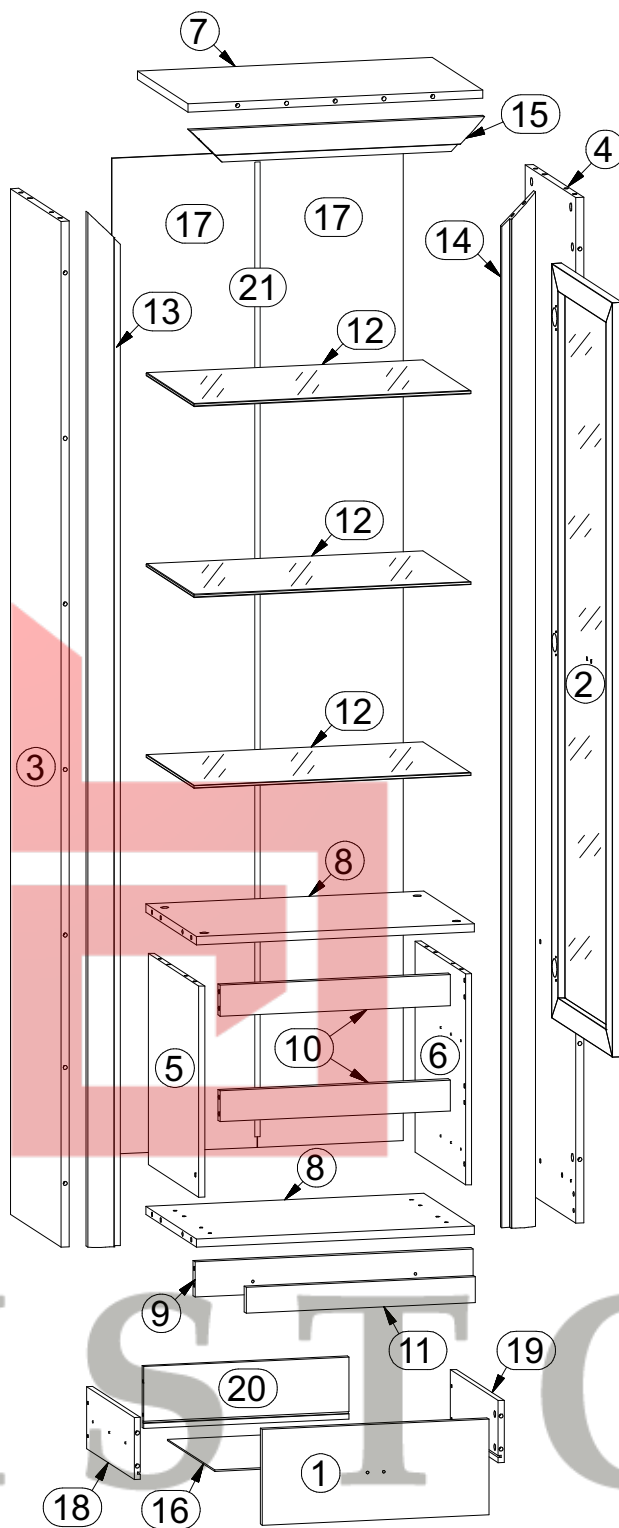


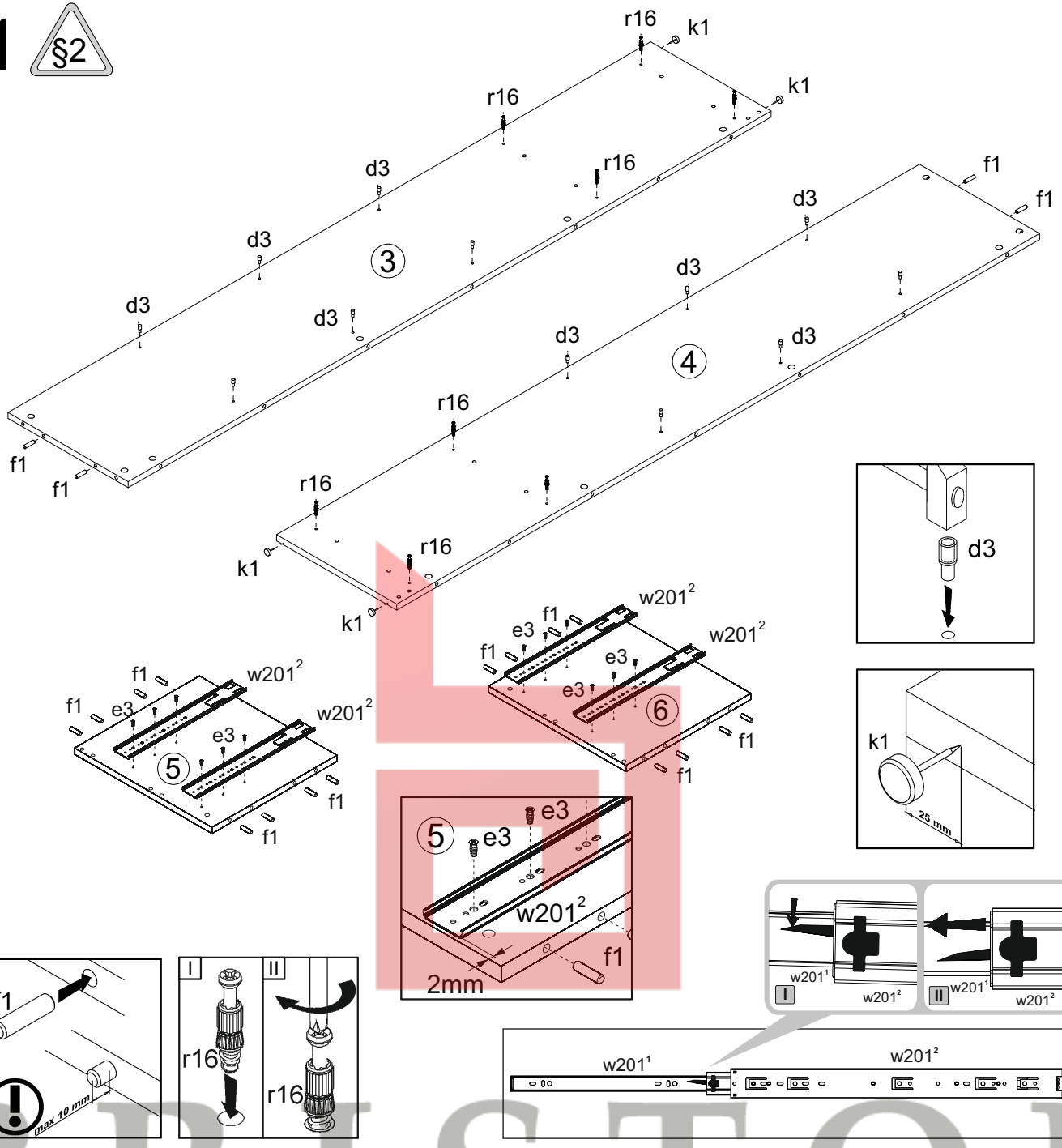


A	B	C	D	
1	S136-0046	446	185	4/5
2	S136-007	1458	446	5/5
3	S136-113	1983	371	1/5
4	S136-114	1983	371	1/5
5	S136-1107	408	371	1/5
6	S136-1108	408	371	1/5
7	S136-204	580	371	1/5
8	S136-353	547	371	1/5
9	S136-404	547	68	1/5
10	S136-405	453	60	1/5
11	S136-406	451	50	1/5
12	S136-501	545	350	2/5
13	S136-571	2000	65	3/5
14	S136-572	2000	65	3/5
15	S136-576	581	65	3/5
16	S136-937	410	348	1/5
17	S136-908	1925	287	1/5
18	S136-5511	350	120	1/5
19	S136-5512	350	120	1/5
20	S136-5513	395	120	1/5
21	lh-1898	1898	14	1/5

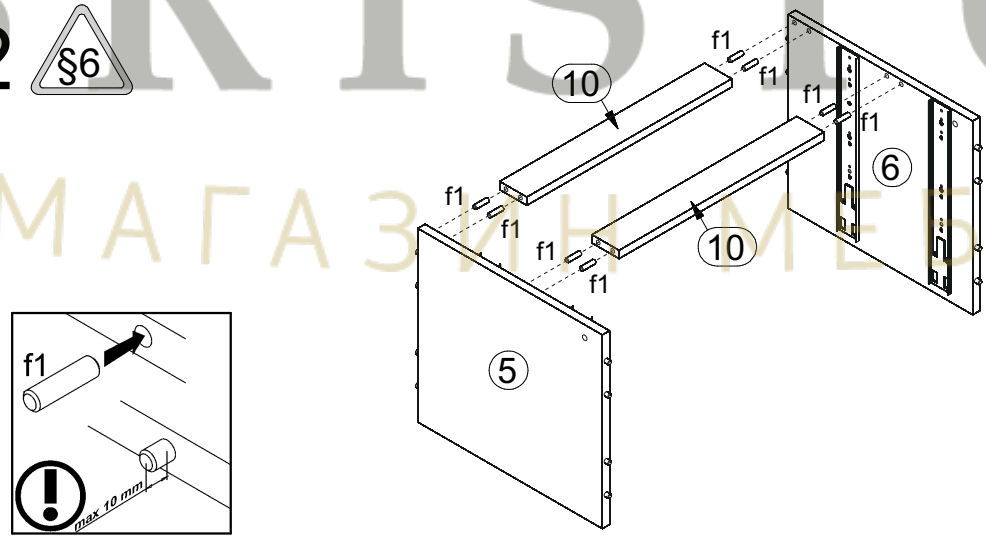


3x  a99	3x  b43	3x  c317	12x  d3 φ5x17 mm	6x  e2 φ6,3x13 mm	12x  e3 φ6x13 mm	8x  e32 φ5x50 mm	50x  f1 φ8x30 mm
2x  j3 M4x12 mm	4x  j30 M4x22 mm	4x  k1	60x  l1	1x  n26/1	2x  o26 φ4,5/φ8x0,5 mm	2x  o27 φ6,5/φ10x5,2 mm	1x  p38 φ3,5x16 mm
6x  p51 φ3,5x15 mm	2x  p94 φ4x28 mm	12x  p140 φ3,5x12 mm	35x  r1 φ1,5x12mm #16	2x  r10	31x  r16 20/9	15x  s2 φ16	4x  w201 <sup>1</sup> 350 mm
4x  w201 <sup>2</sup> 350 mm							

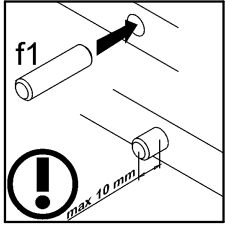
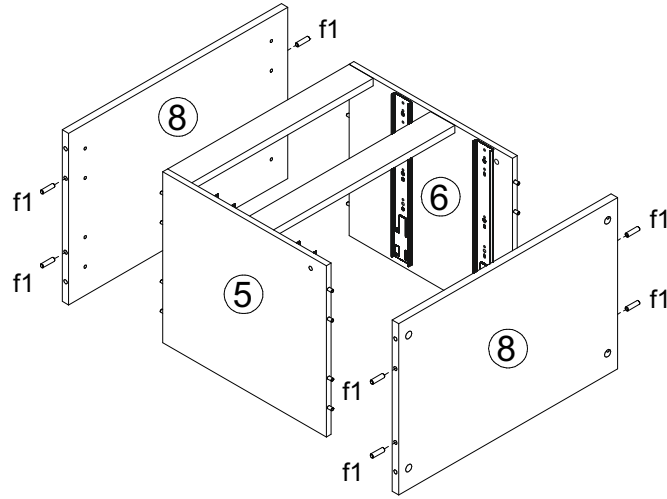
# 1



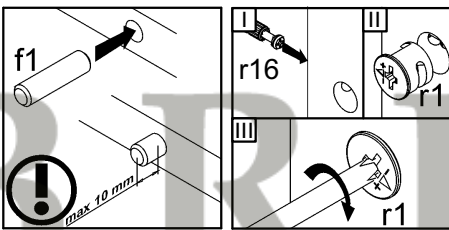
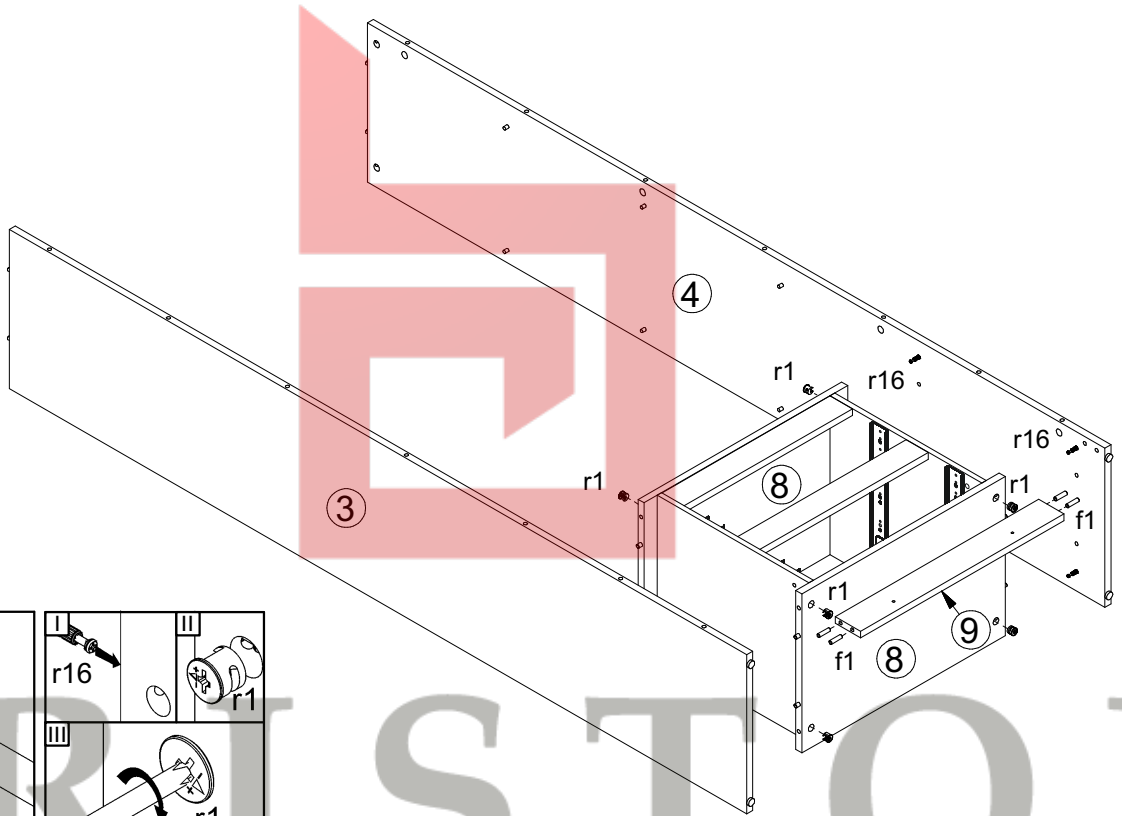
# 2



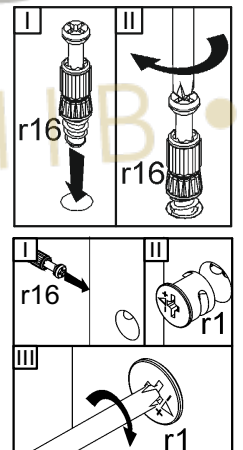
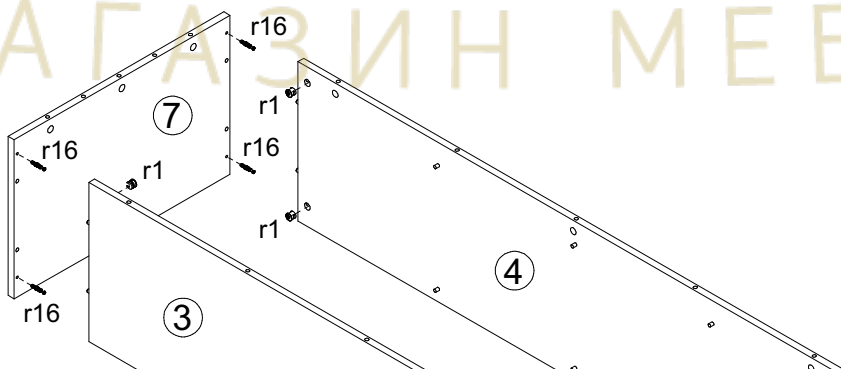
# 3



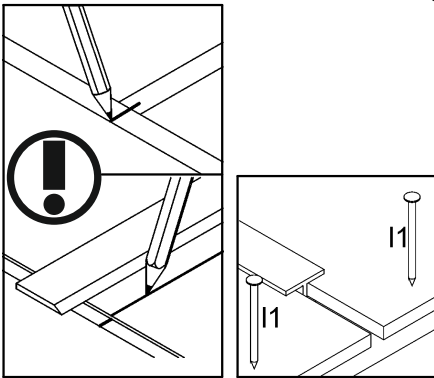
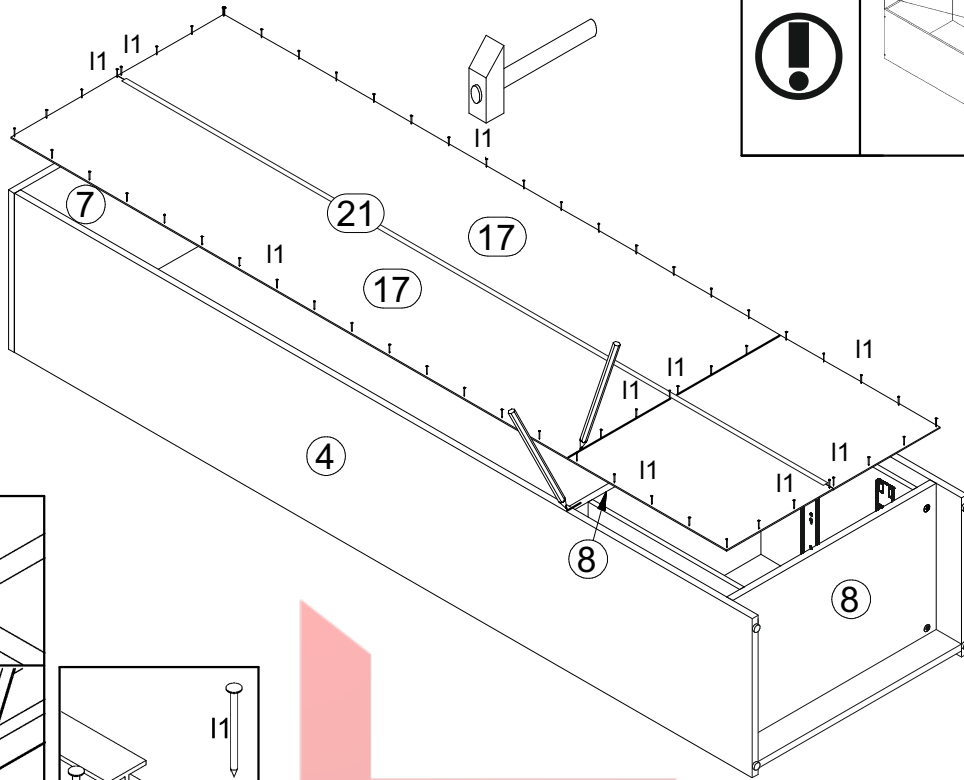
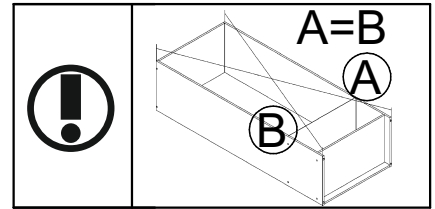
# 4



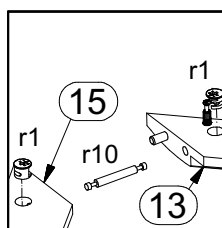
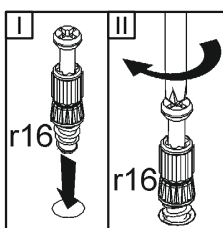
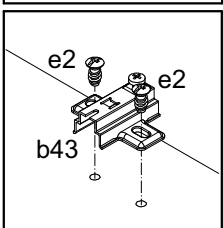
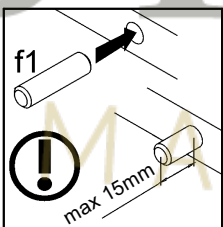
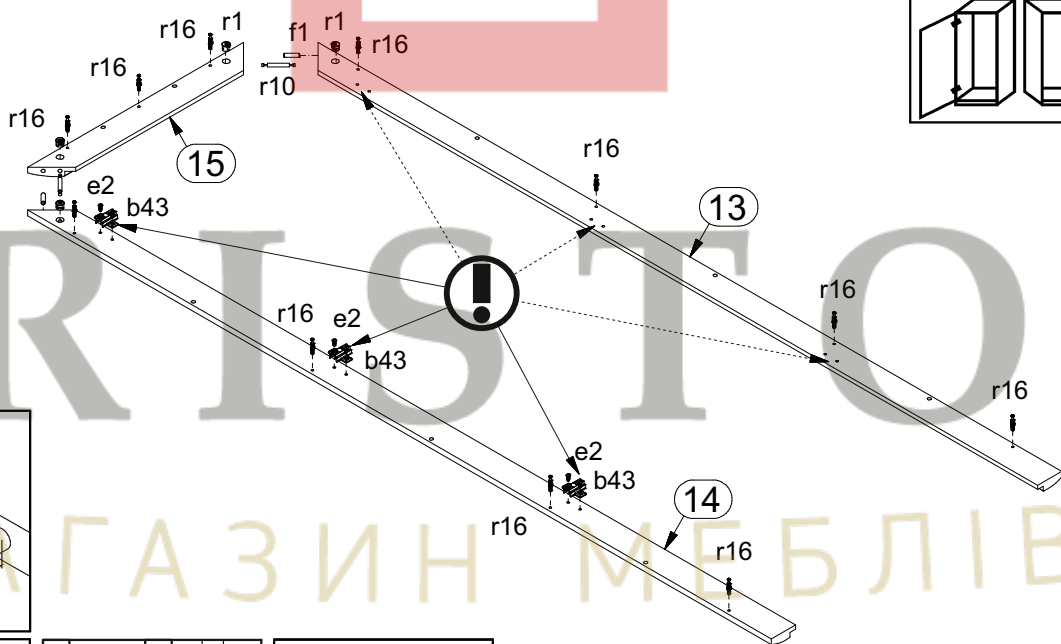
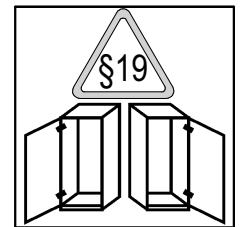
# 5



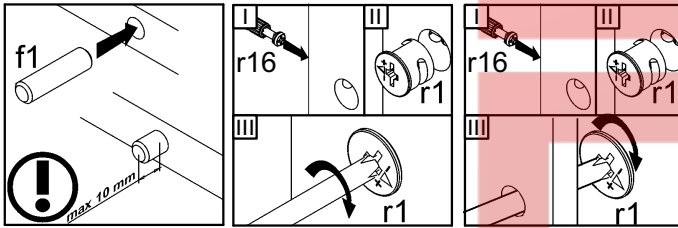
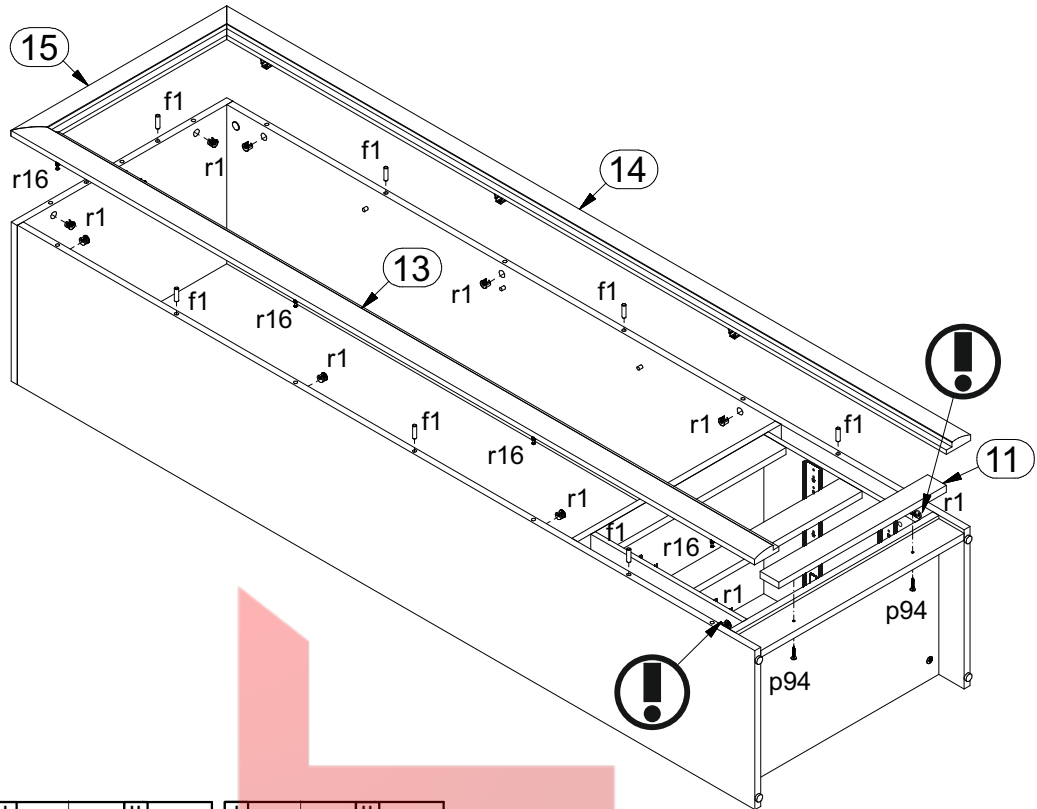
# 6



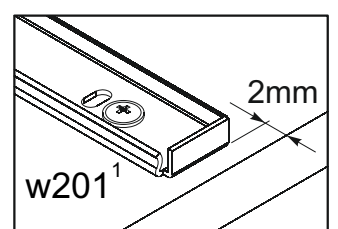
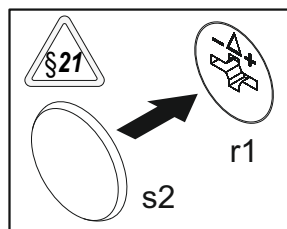
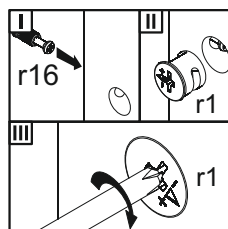
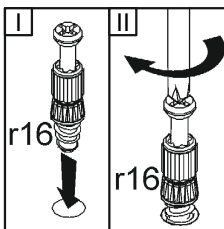
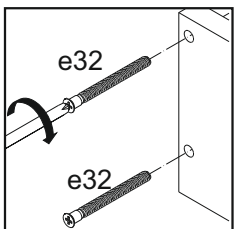
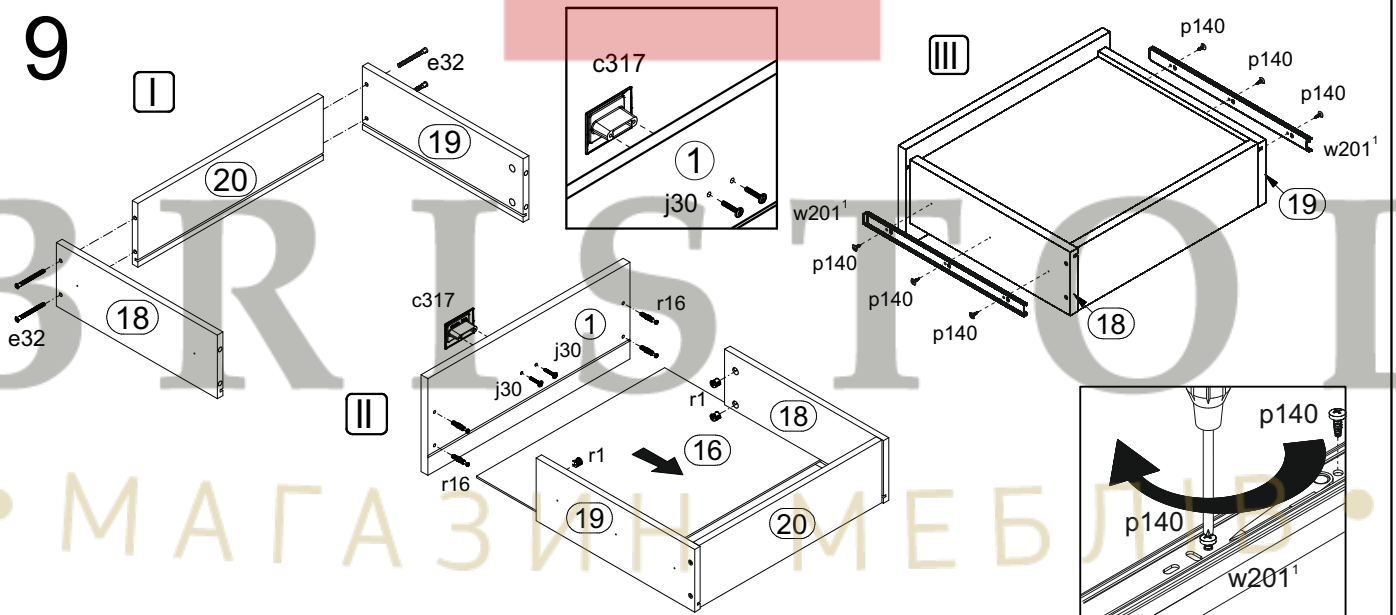
# 7



# 8



# 9



10

