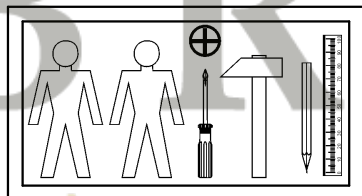
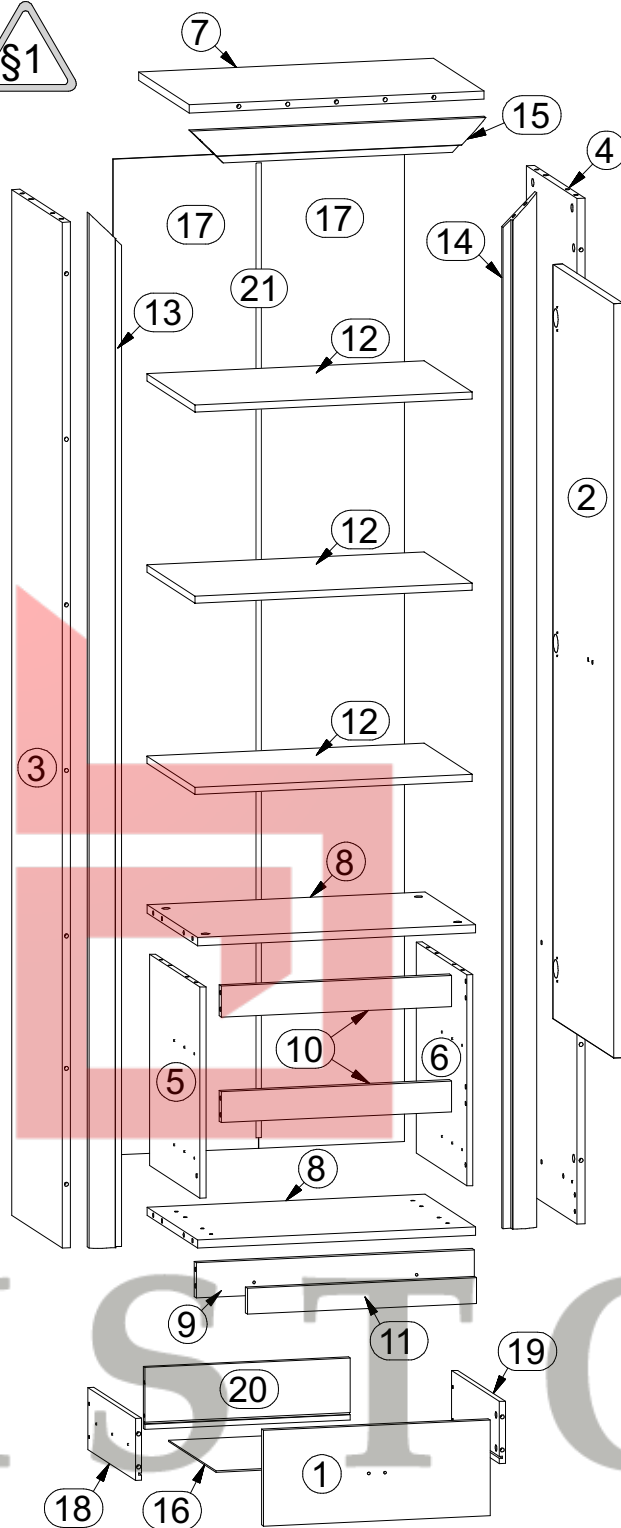
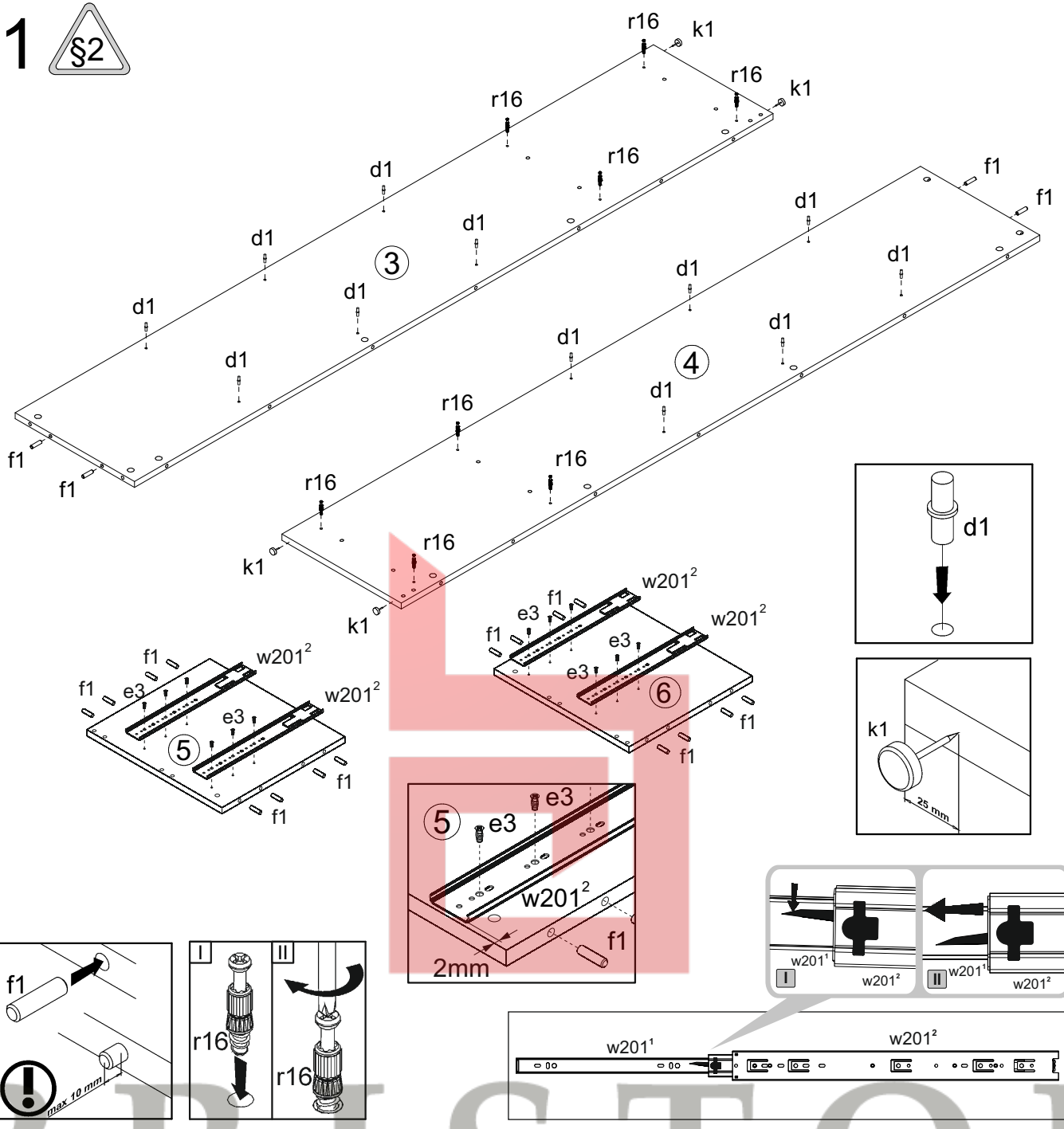


A	B	C		D
1	S136-0046	446	185	3/4
2	S136-0001	1458	446	4/4
3	S136-113	1983	371	1/4
4	S136-114	1983	371	1/4
5	S136-1107	408	371	1/4
6	S136-1108	408	371	1/4
7	S136-204	580	371	1/4
8	S136-353	547	371	1/4
9	S136-404	547	68	1/4
10	S136-405	453	60	1/4
11	S136-406	451	50	1/4
12	S136-334	547	371	1/4
13	S136-571	2000	65	2/4
14	S136-572	2000	65	2/4
15	S136-576	581	65	2/4
16	S136-937	410	348	1/4
17	S136-908	1925	287	1/4
18	S136-5511	350	120	1/4
19	S136-5512	350	120	1/4
20	S136-5513	395	120	1/4
21	LH-1898	1898	14	1/4

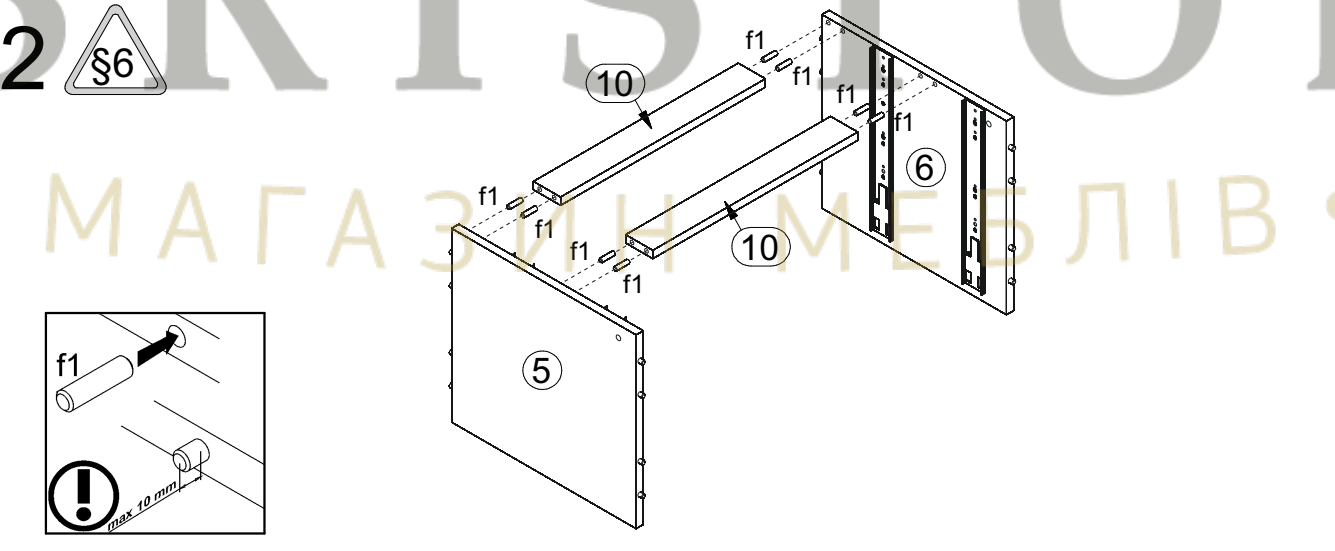


3x a99	3x b43	3x c317	12x d1 φ5x17 mm	6x e2 φ6,3x13 mm	12x e3 φ6x13 mm	8x e32 φ5x50 mm	50x f1 φ8x30 mm
6x j30 M4x22 mm	4x k1	60x l1	1x n2611	1x p38 φ3,5x16 mm	6x p51 φ3,5x15 mm	2x p94 φ4x28 mm	12x p140 φ3,5x12 mm
35x r1 φ15x12mm #16	2x r10	31x r16 20/9	16x s2 φ16	4x w201 ¹ 350 mm	4x w201 ² 350 mm		

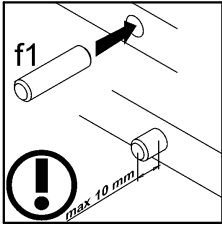
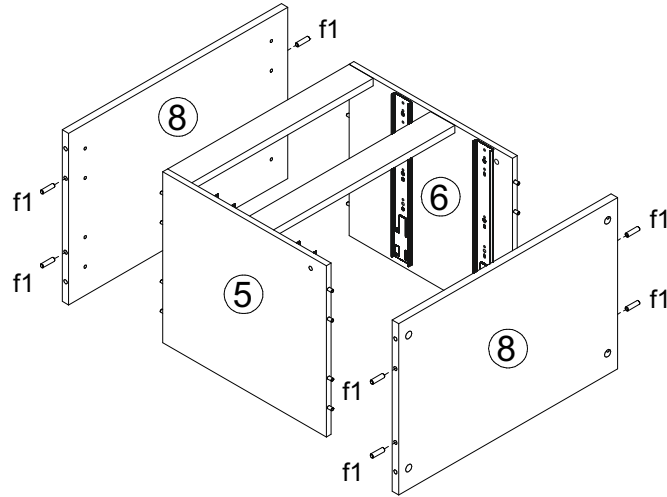
1



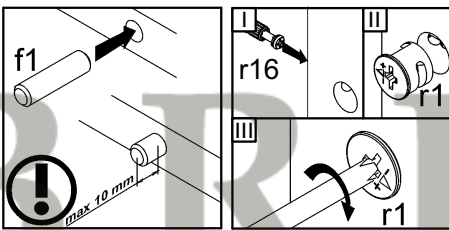
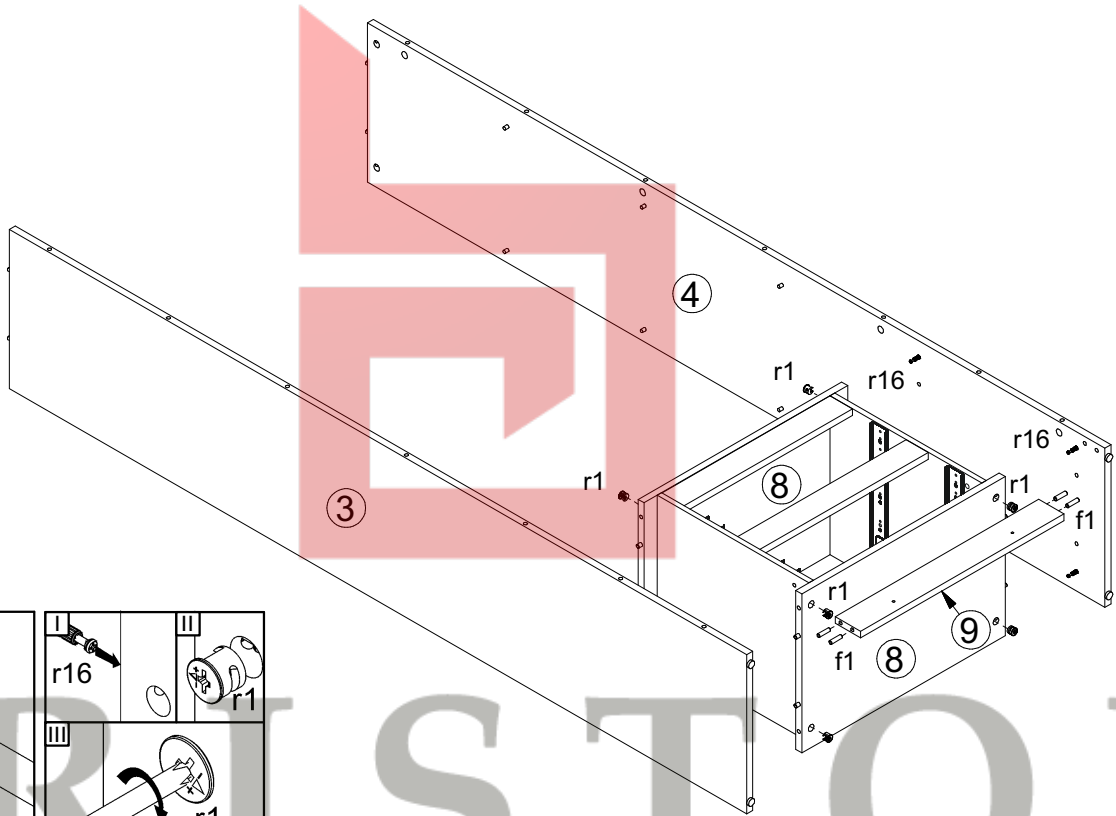
2



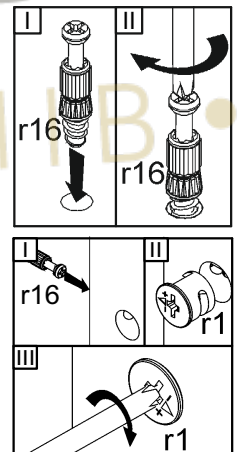
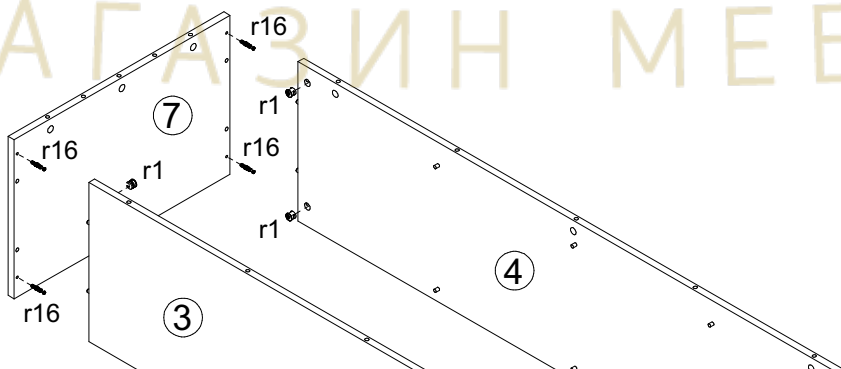
3



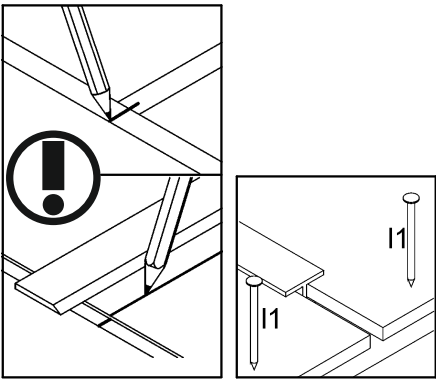
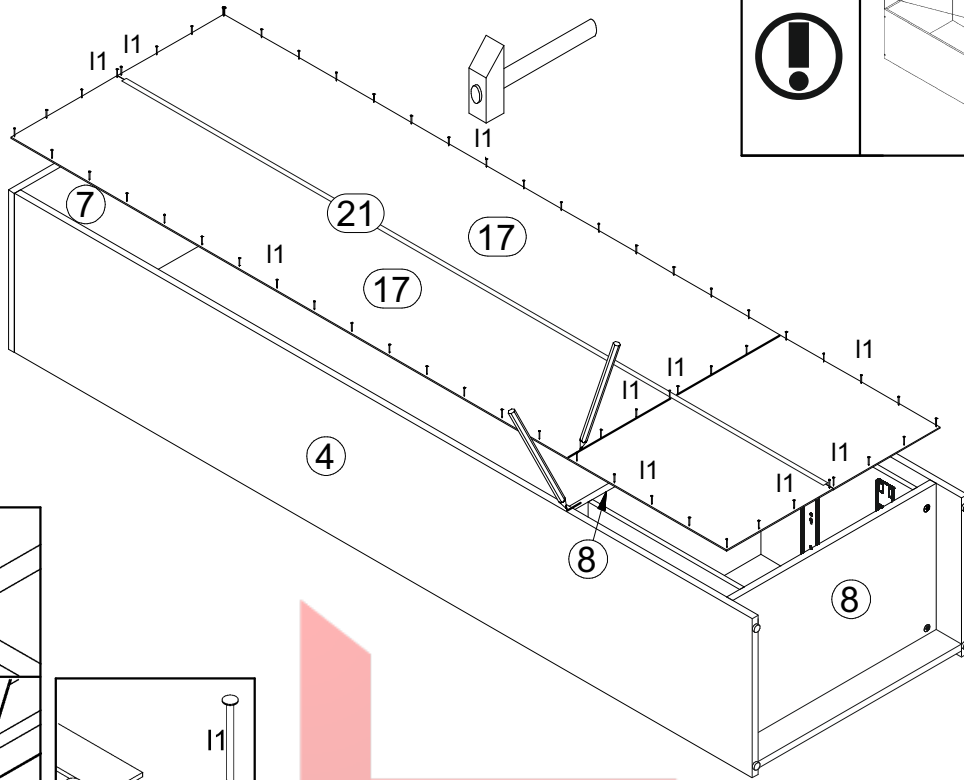
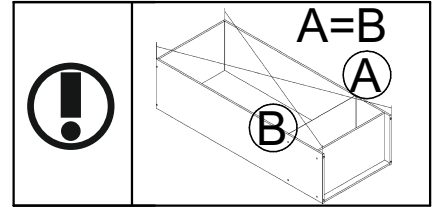
4



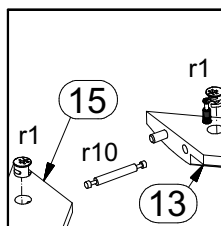
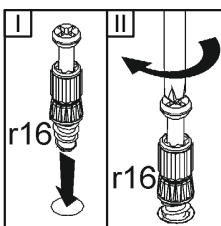
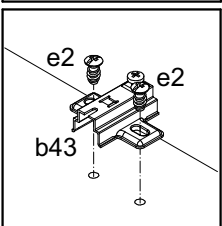
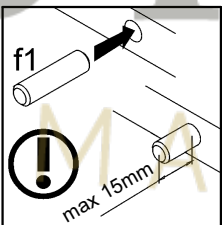
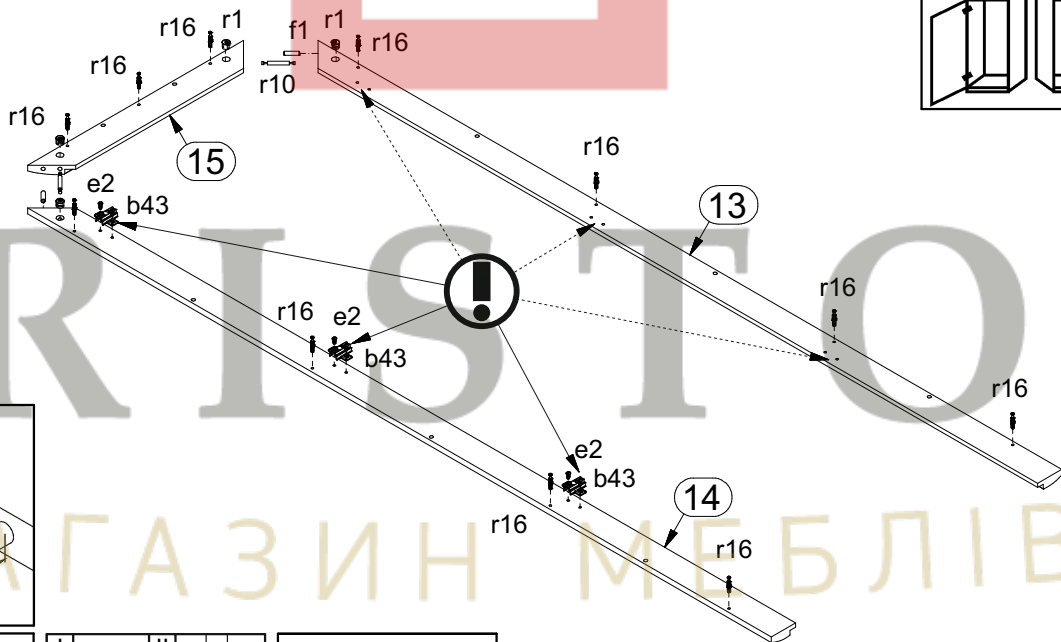
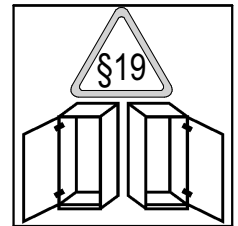
5



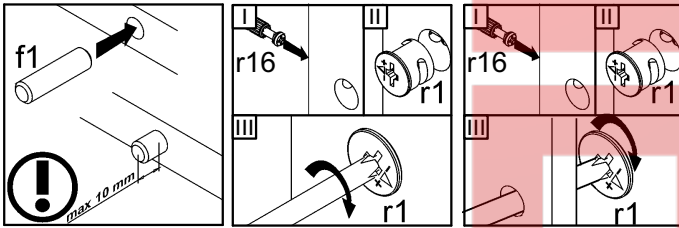
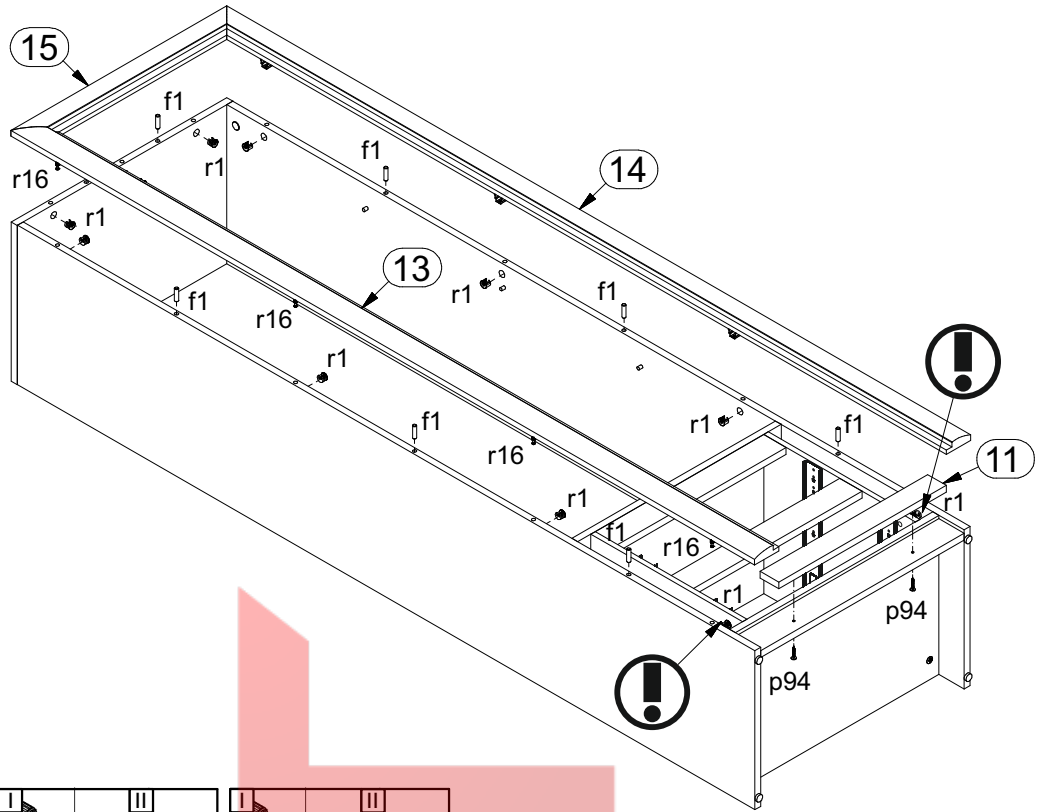
6



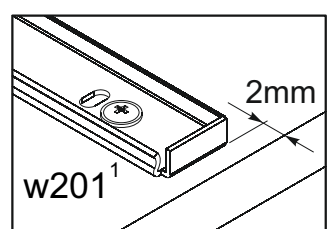
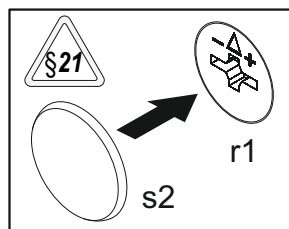
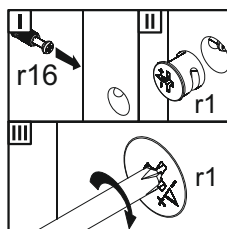
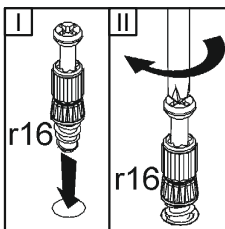
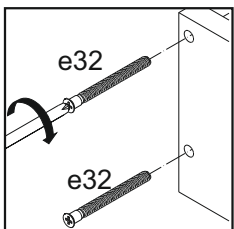
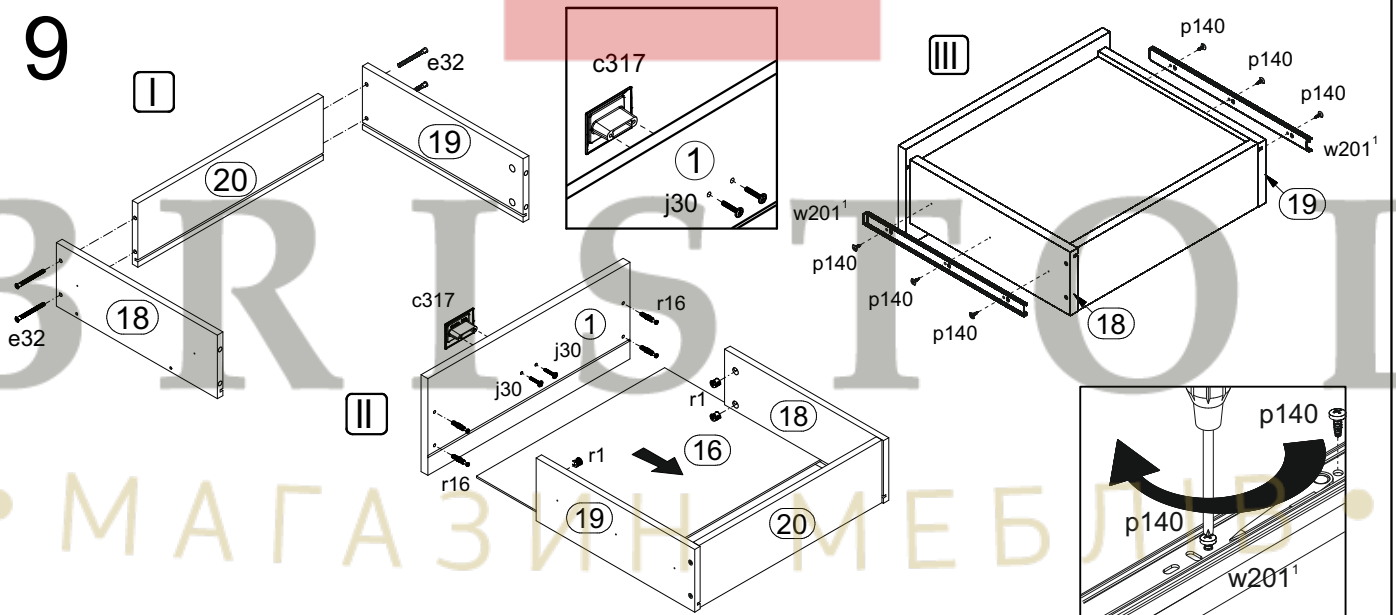
7



8



9



10

