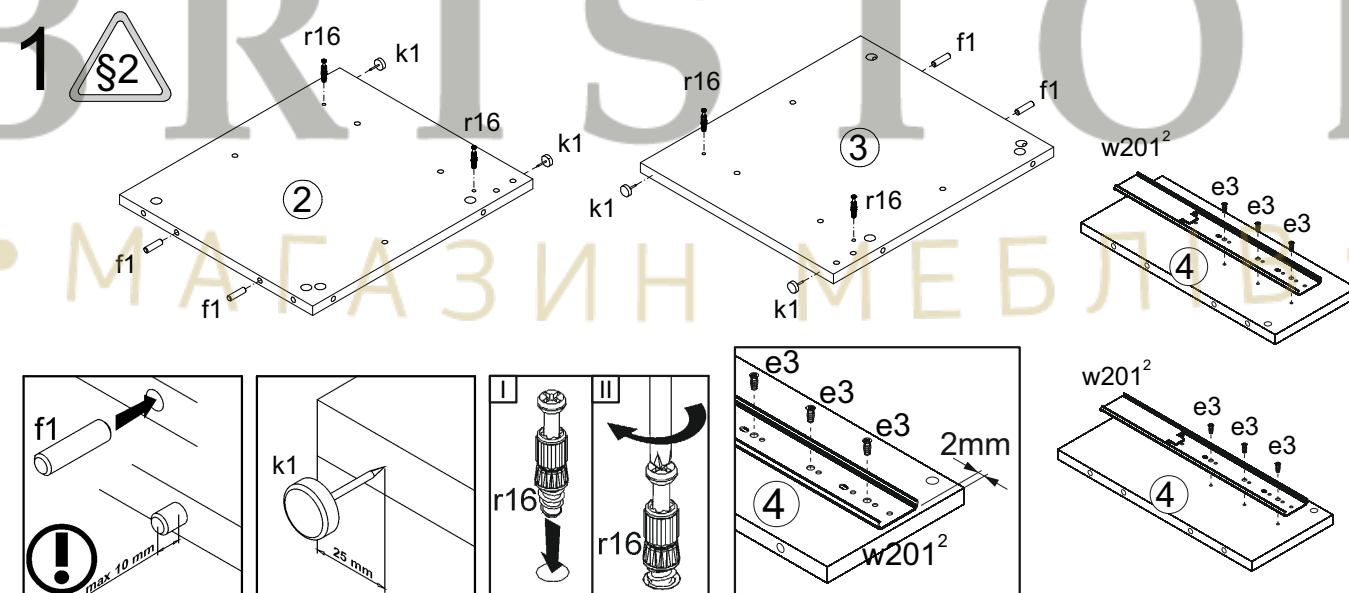
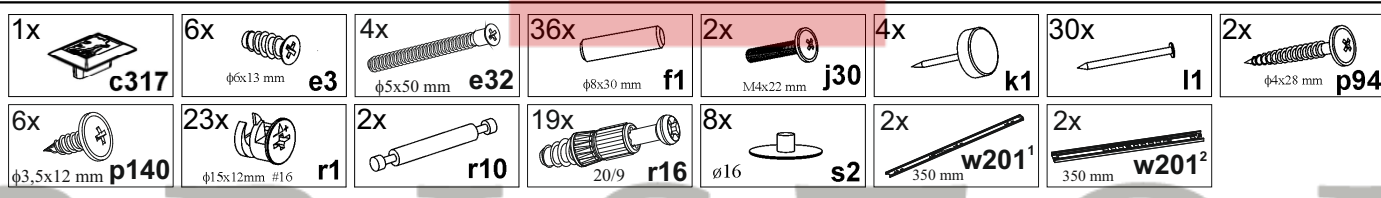
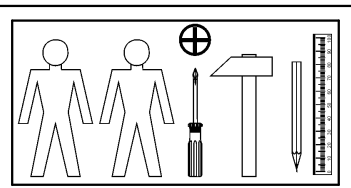
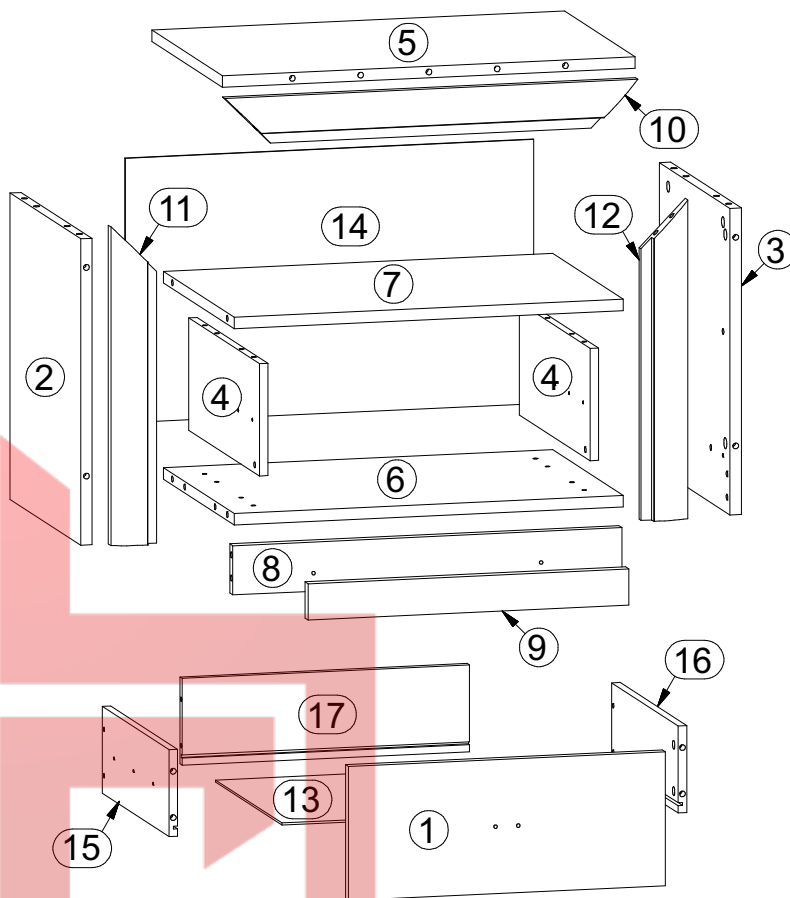
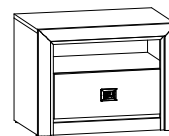
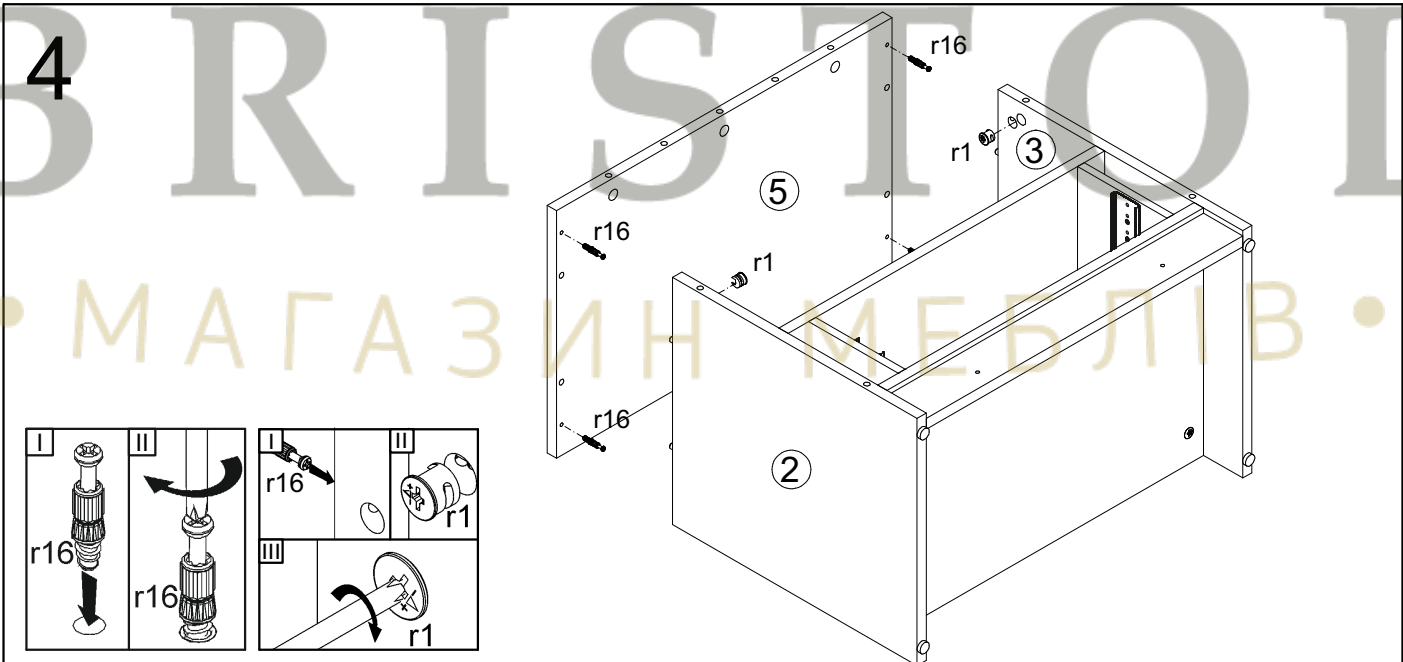
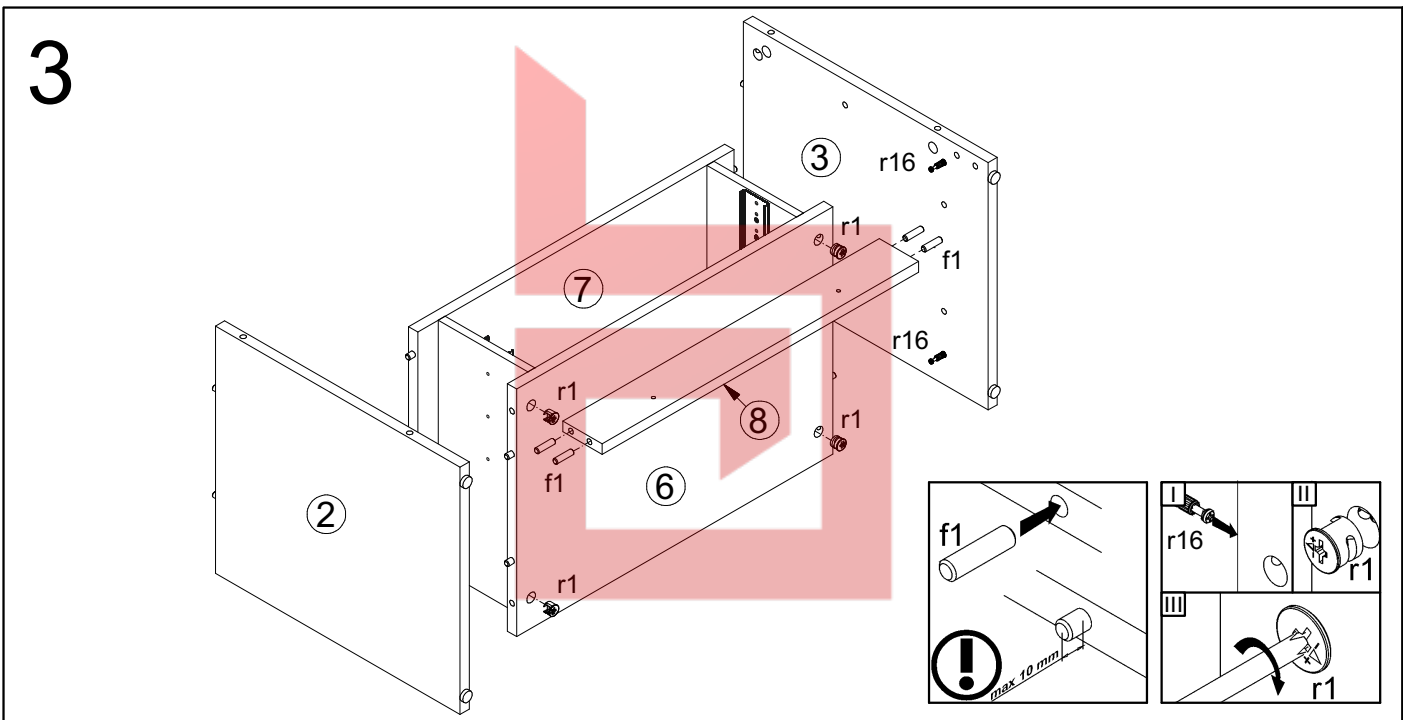
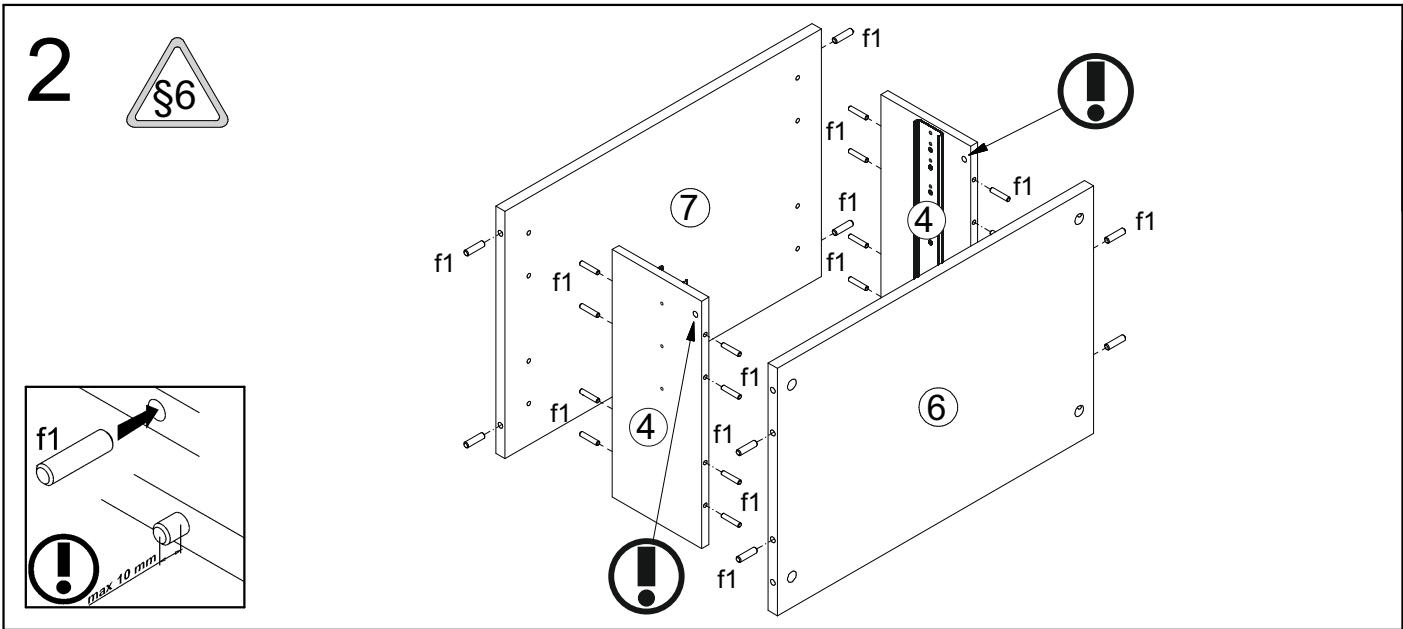
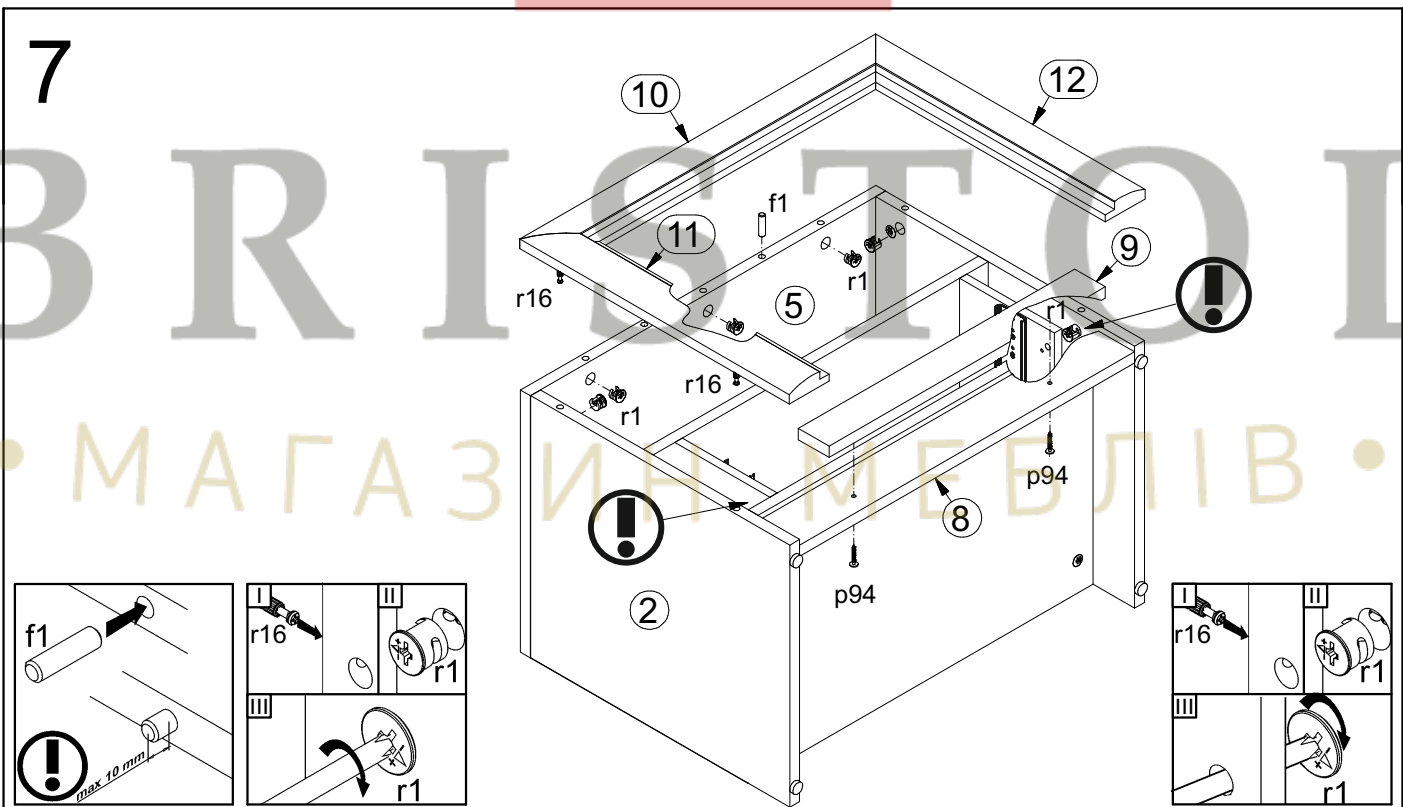
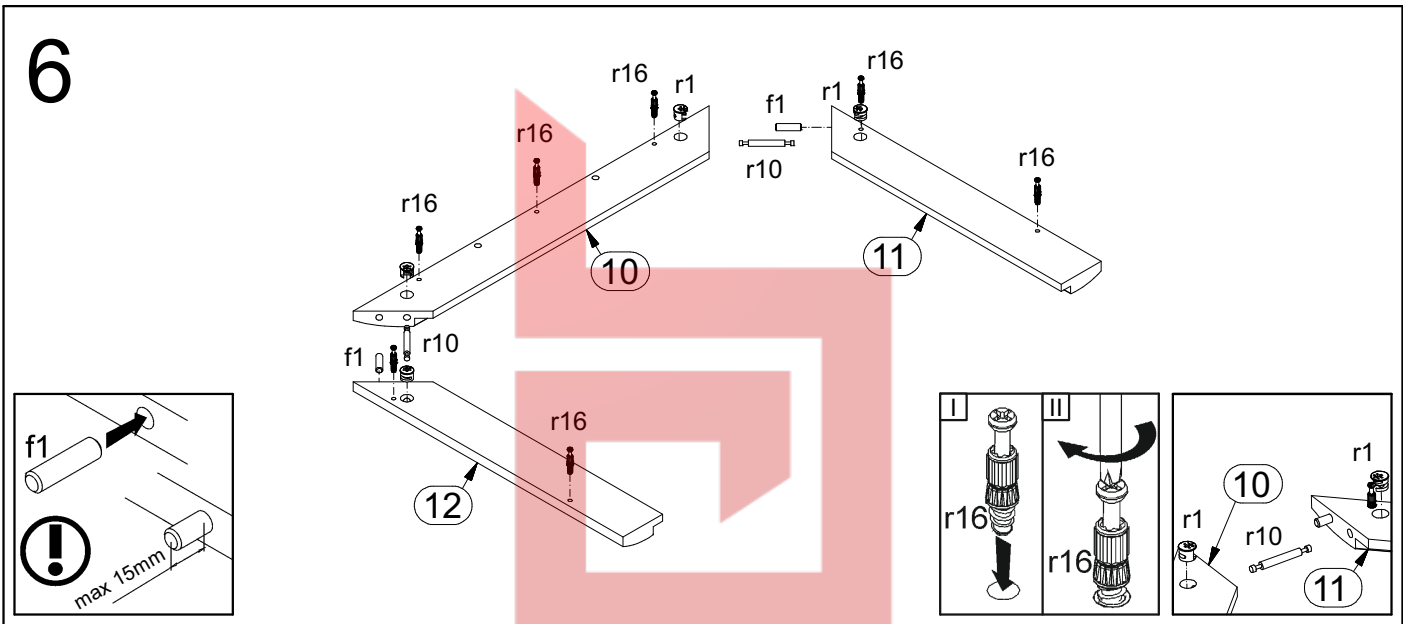
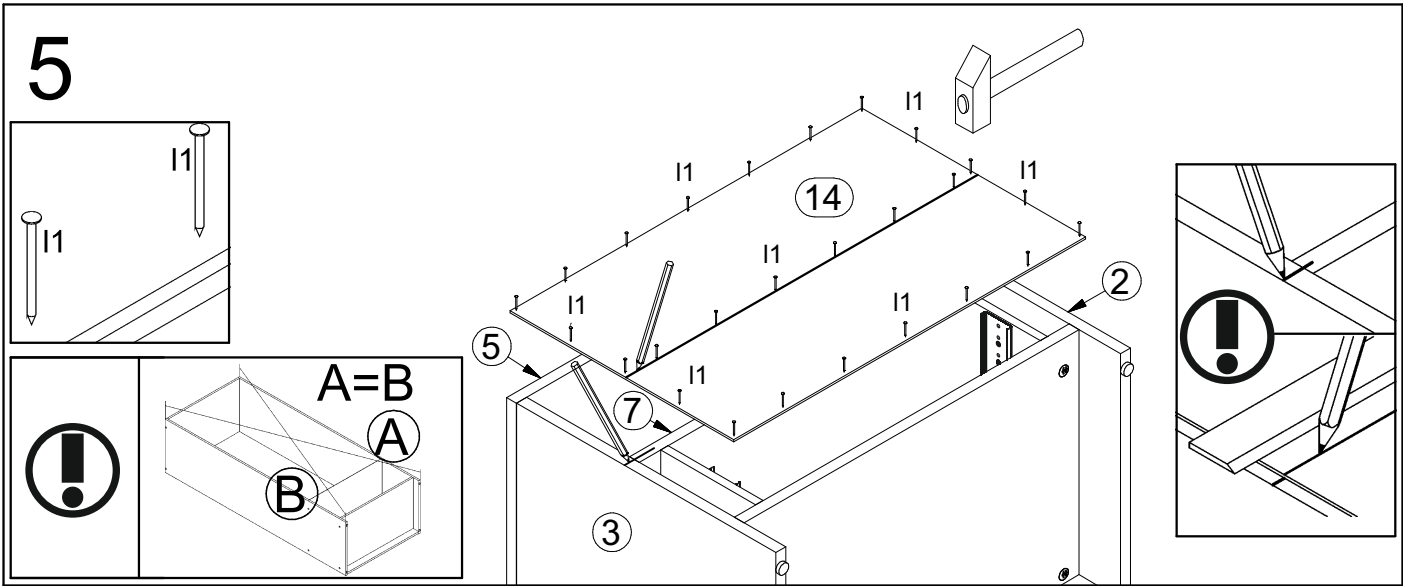


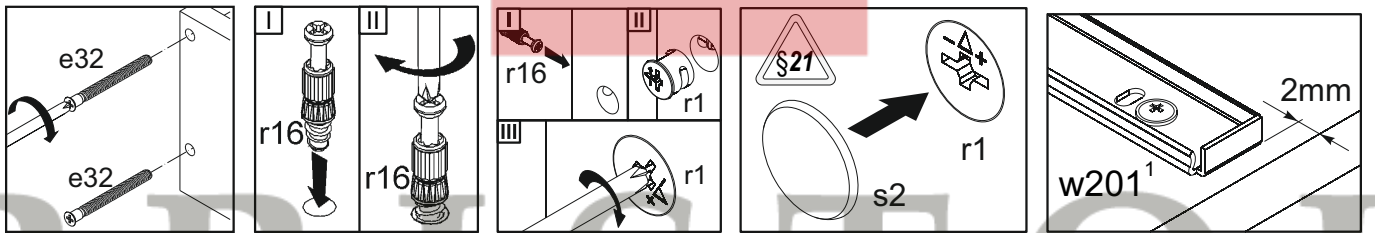
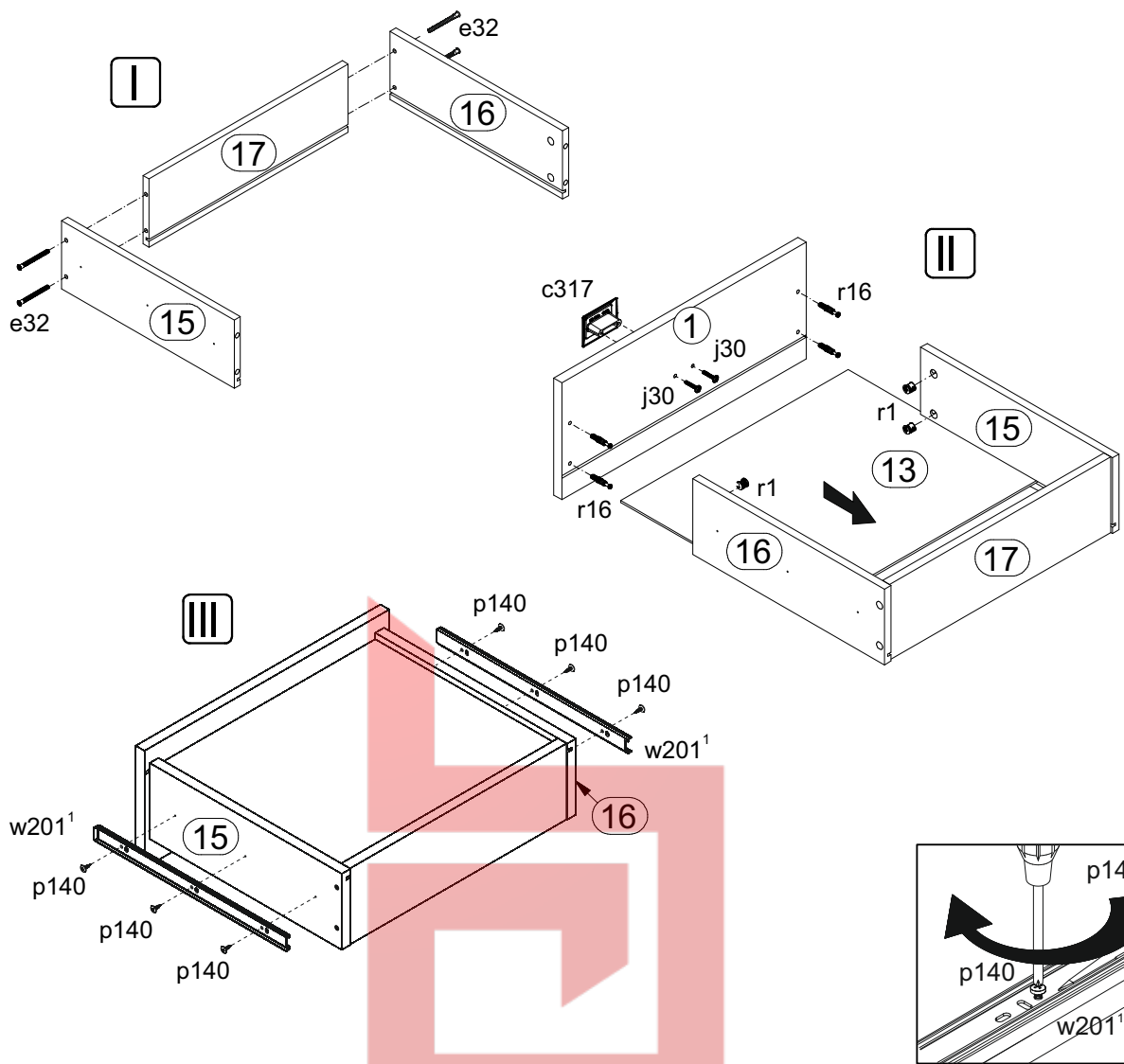
A	B	C	D	
1	S136-0046	446	185	3/3
2	S136-135	423	371	1/3
3	S136-136	423	371	1/3
4	S136-1113	155	371	1/3
5	S136-209	580	371	1/3
6	S136-353	547	371	1/3
7	S136-357	547	371	1/3
8	S136-404	547	68	1/3
9	S136-406	451	50	1/3
10	S136-576	581	65	2/3
11	S136-587	440	65	2/3
12	S136-588	440	65	2/3
13	S136-937	410	348	1/3
14	S136-917	574	365	1/3
15	S136-5511	350	120	1/3
16	S136-5512	350	120	1/3
17	S136-5513	395	120	1/3







8



9

