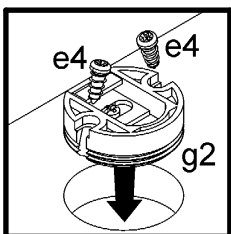
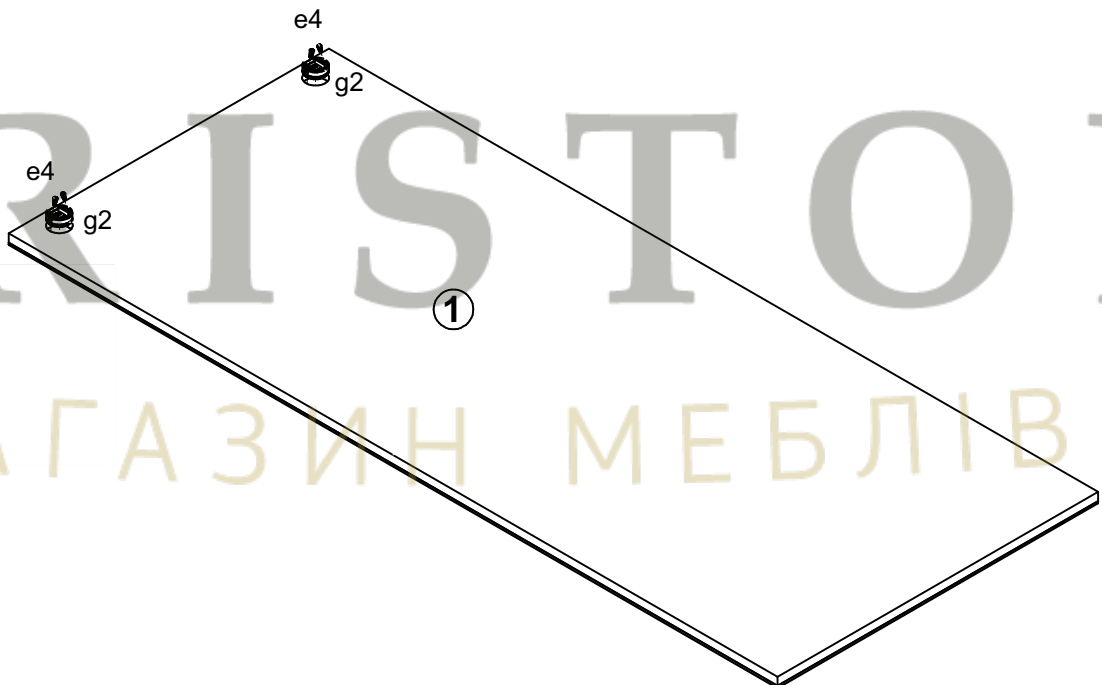
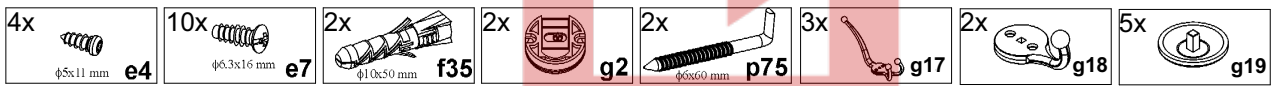
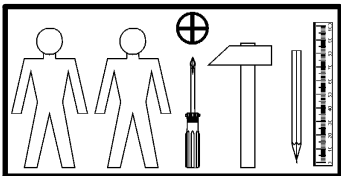
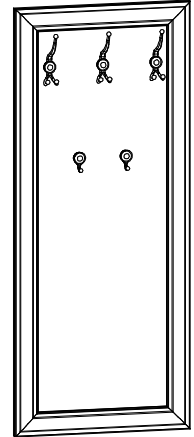
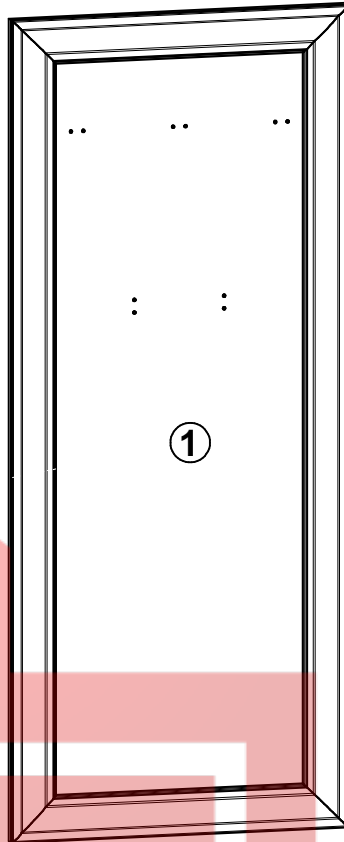
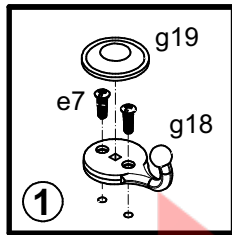
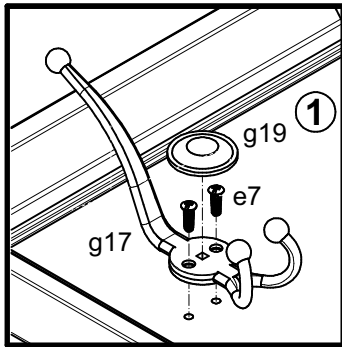
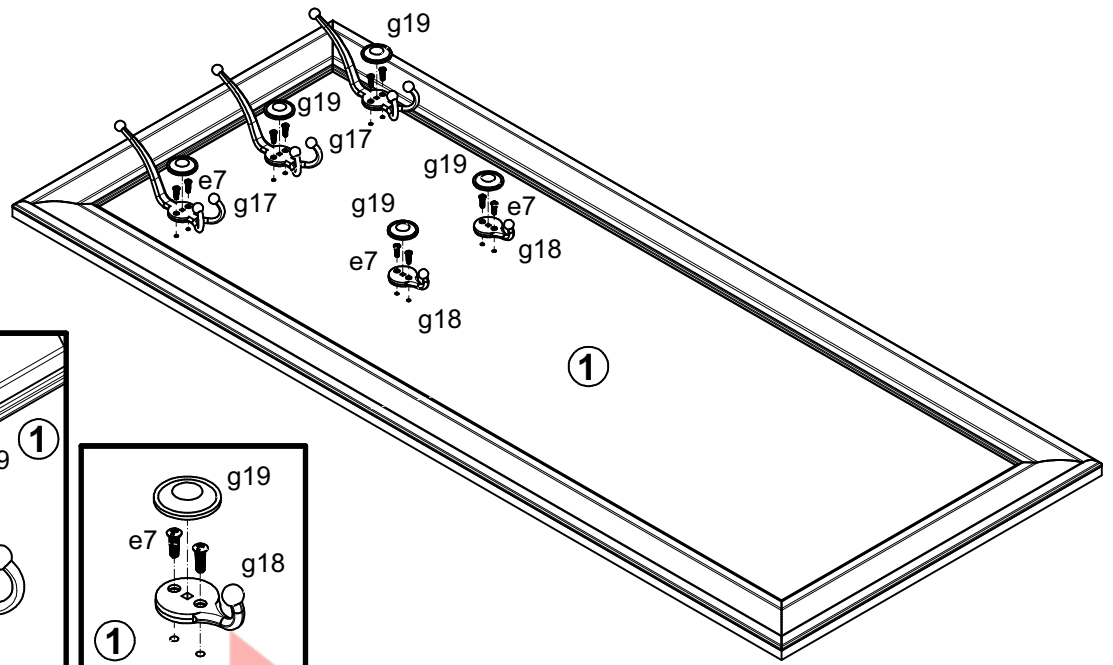


A	B	C	D
1	S320-406	1440	750
			1/2



# 2



# 3

