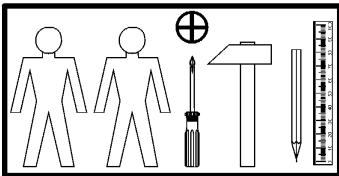
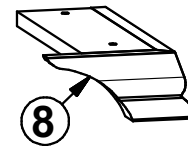
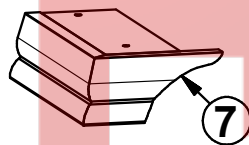
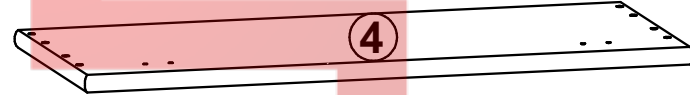
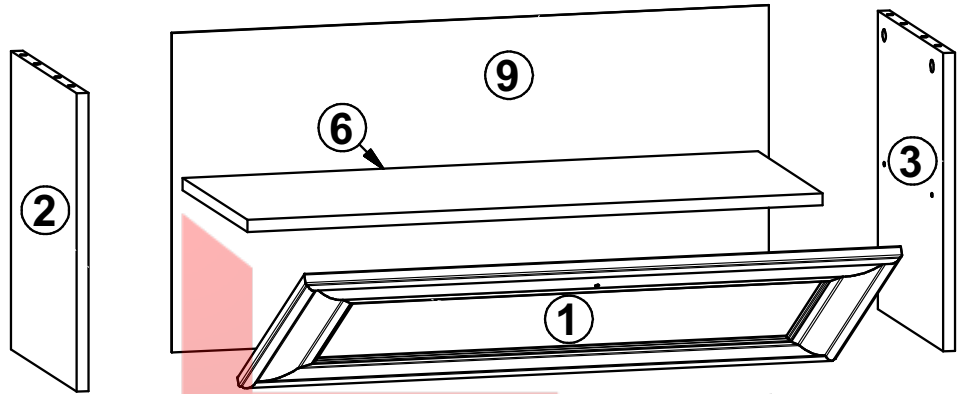
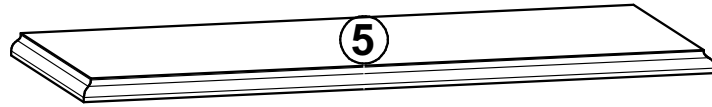
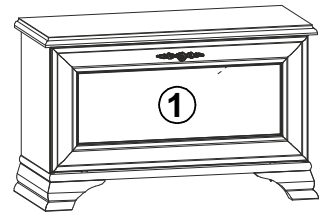
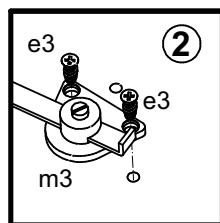
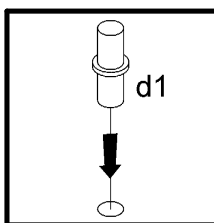
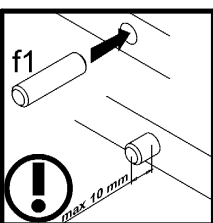
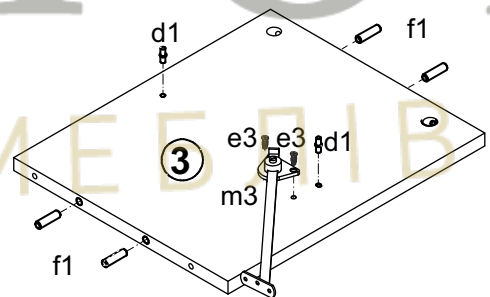
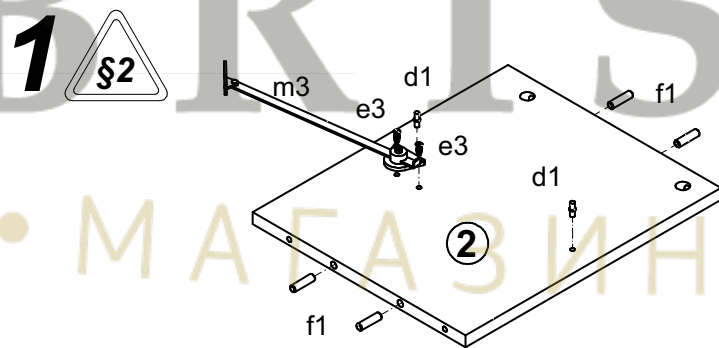


# S320-SFK1B

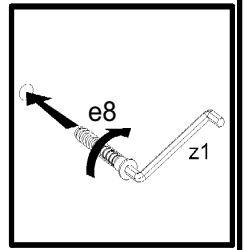
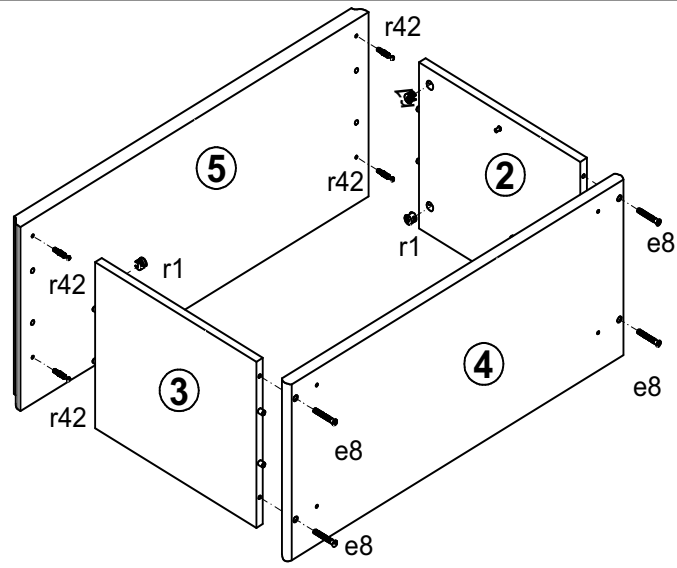
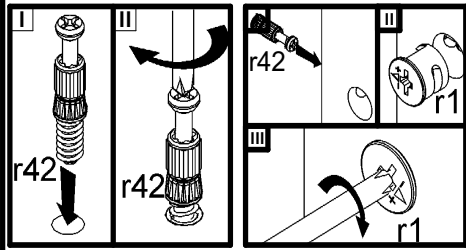
A	B	C	D	
1	S320-0018	750	360	3/3
2	S320-131	368	307	1/3
3	S320-132	368	307	1/3
4	S320-221-01	766	329	1/3
5	S320-222	794	340	1/3
6	S320-317	721	303	1/3
7	S320-523	345	180	2/3
8	S320-524	345	180	2/3
9	S320-918	748	412	3/3



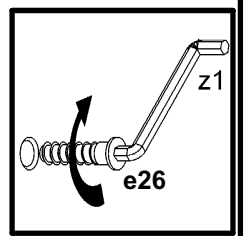
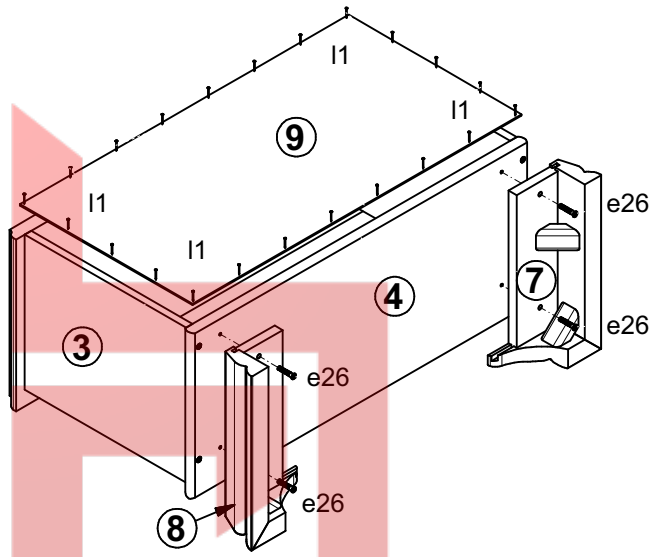
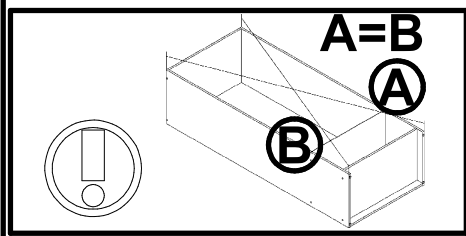
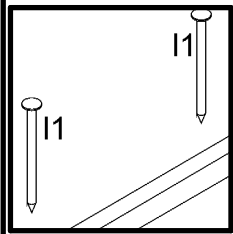
2x K16 a43	2x D5 b19	1x c35/1	1x c35/2	4x φ5x17 mm d1	4x φ7x60 mm e8	8x φ8x30 mm f1	1x M4x30 mm j6
25x l1	2x 1.-236 m3	6x φ3,5x13 mm p1	4x φ3,5x15 mm p51	4x ø16 s2	4x φ6,3x13 mm e2	4x φ7x35 mm e26	4x φ6x13 mm e3
4x φ1,5x12mm #16 r1	4x r42	1x z1	1x n26 <sup>1</sup>	1x φ3,5x16 mm p38	1x mm f3	1x x60 mm p17	



# 2

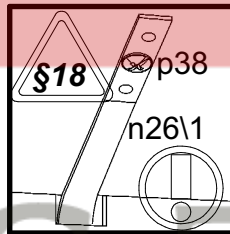


# 3



# 4

## I



## II

