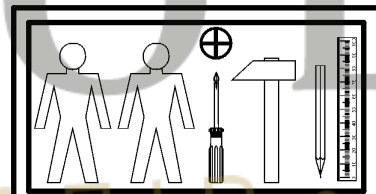
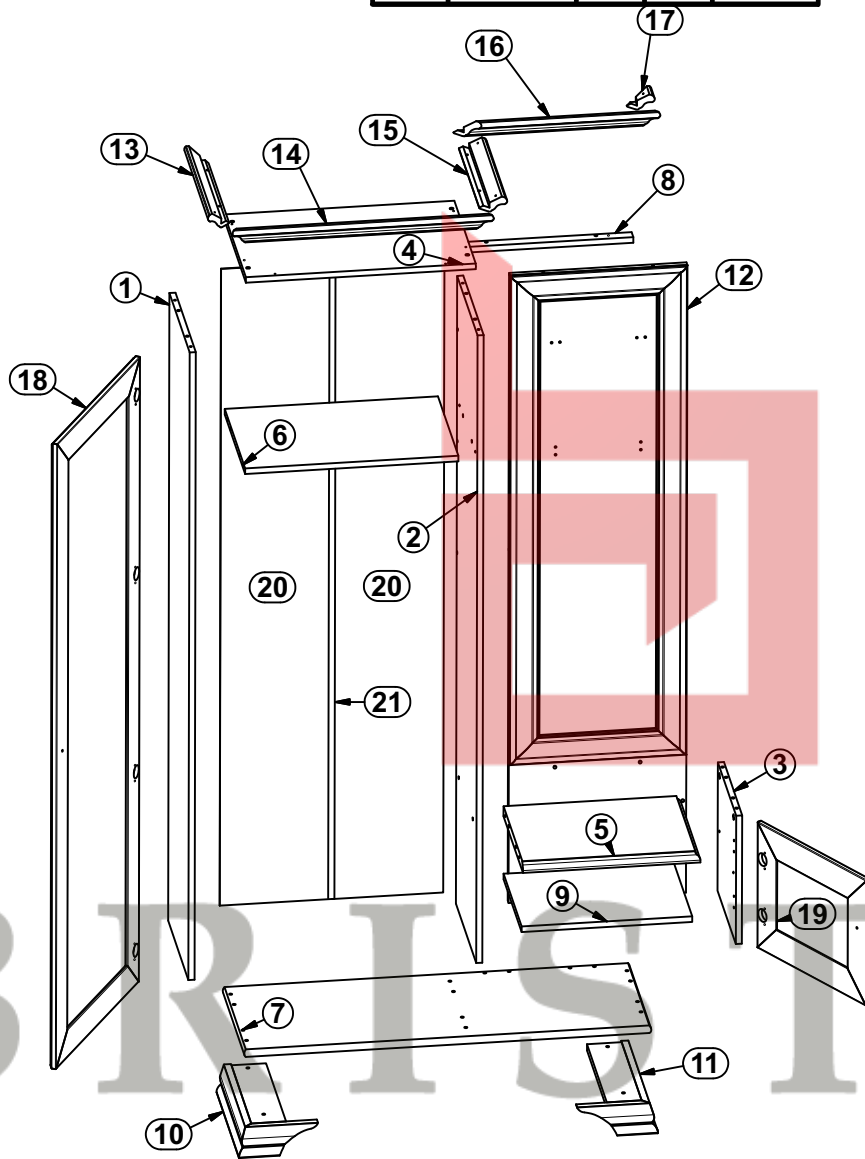
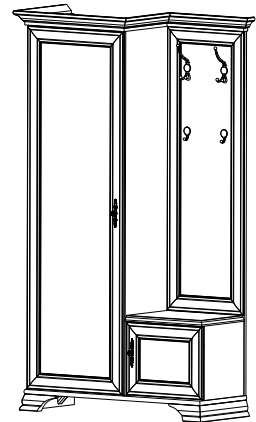


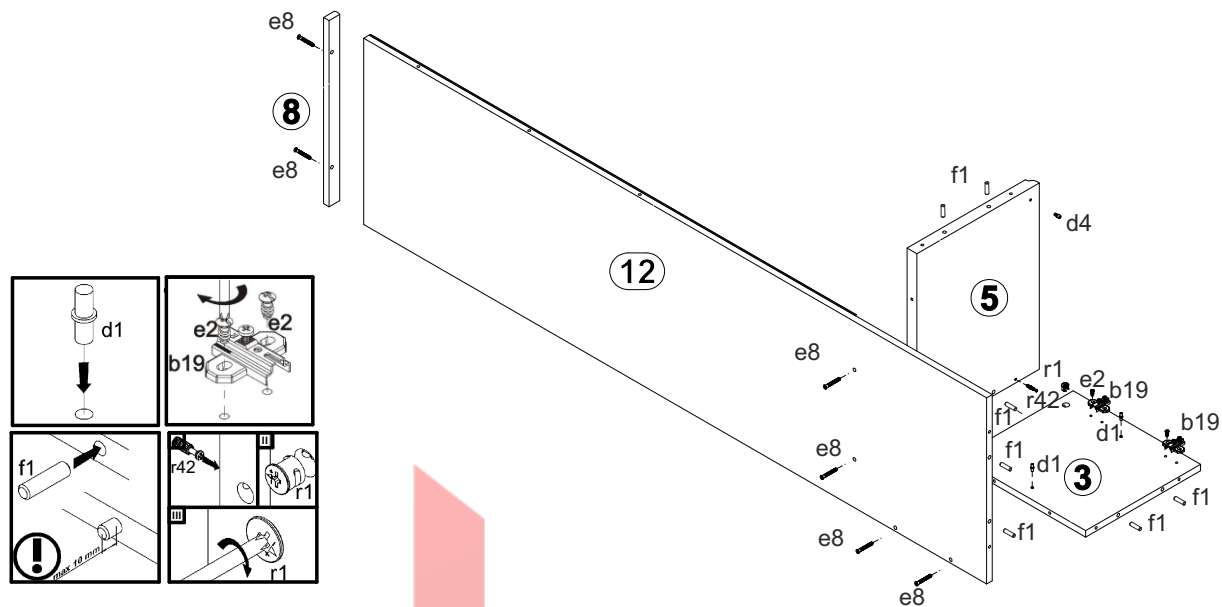
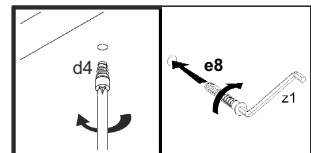
S320-PPK/110L

A	B	C	D	A	B	C	D		
1	S320-158	1800	370	1/7	11	S320-514	408	210	5/7
2	S320-160	1800	370	1/7	12	S320-249	1800	466	2/7
3	S320-159	368	332	3/7	13	S320-587	433	80	4/7
4	S320-248	599	392	3/7	14	S320-585	681	80	4/7
5	S320-251	466	354	3/7	15	S320-586	433	80	4/7
6	S320-332	555	370	3/7	16	S320-588	534	80	4/7
7	S320-247	1064	392	3/7	17	S320-527	64	80	4/7
8	S320-252	466	33	3/7	18	S320-0041/A	1792	581	7/7
9	S320-333	448	328	3/7	19	S320-0040	360	459	6/7
10	S320-513	408	210	5/7	20	S320-1937	1826	583	1/7
					21	Lh-1794	1794	14	1/7

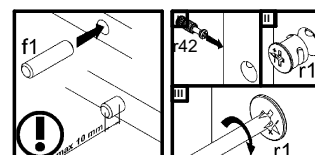
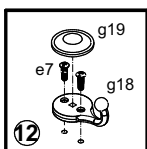
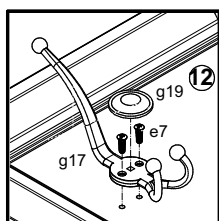
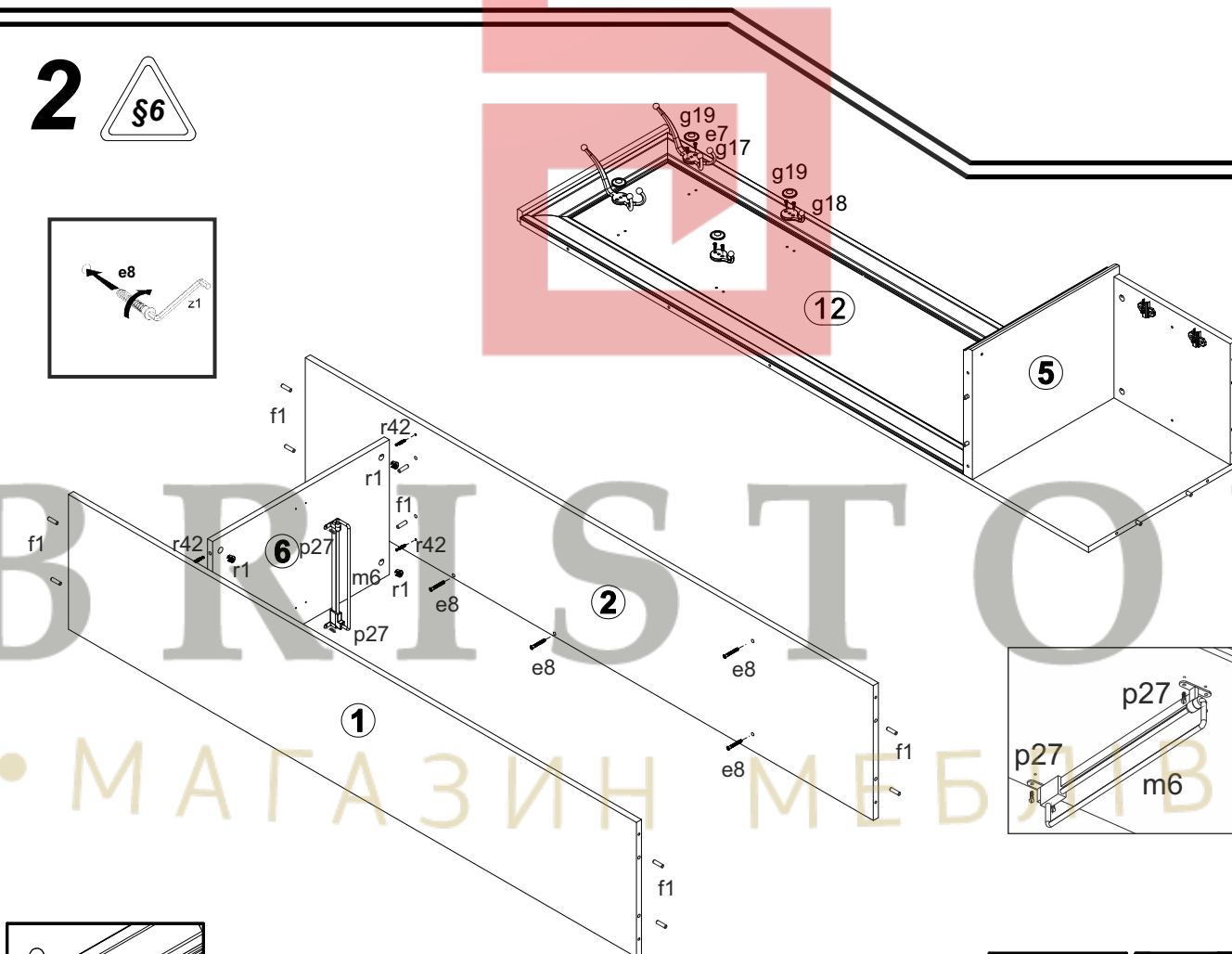
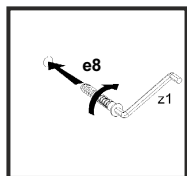


12x φ6,3x13 mm e2	50x l1	6x φ1,5x12mm #16 r1	20x φ8x30 mm f1	1шт. L-300 m6	4шт. x13 mm p27	2x c35/1	2x c35/2
4шт. x17 mm d1	4x φ7,3x5 mm e26	23x φ7x60 mm e8	8x φ4x25 mm p8	4x 26x26x16/1 - 12° n40	8x φ3x7 mm p46	2x M4x30 mm j6	6x a44
1шт. x60 mm p17	1x n26	1шт. x50 mm f35	6x ø16 s2	1x φ3,5x16 mm p38	5шт. s1	6x DS b19	12x φ3,5x15 mm p51
1шт. z1	1x φ6,3x15 mm d4	6x r42	2x g17	2x g18	8x φ6,3x16 mm e7	4x g19	

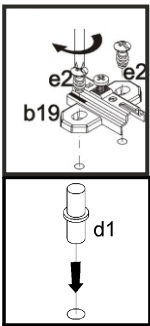
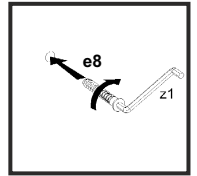
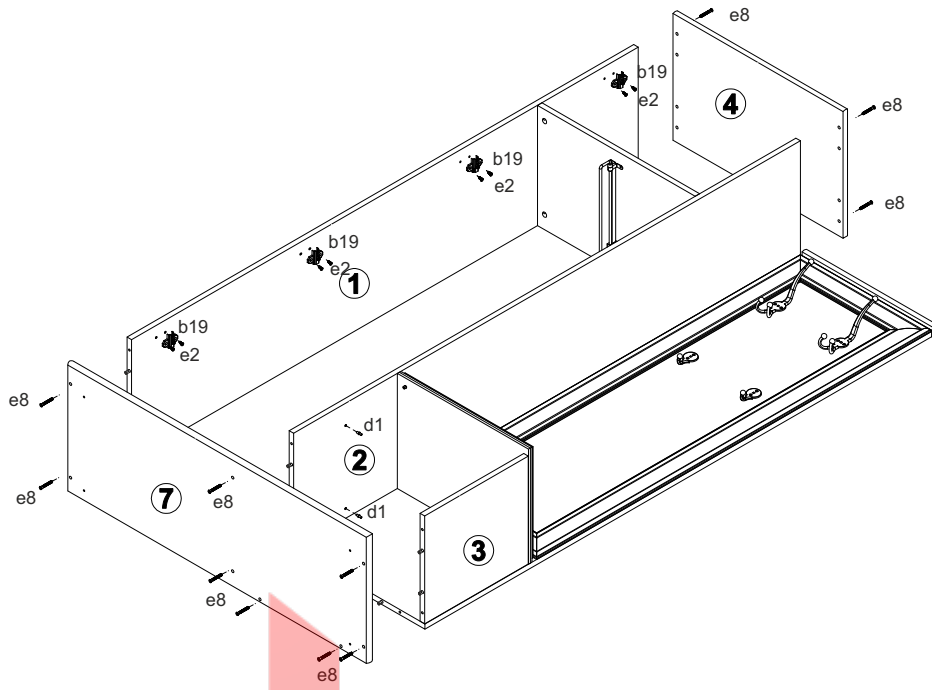
1



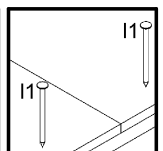
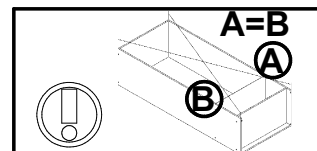
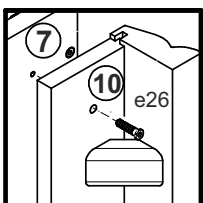
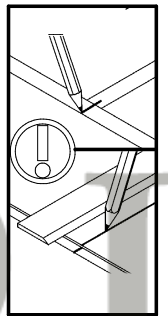
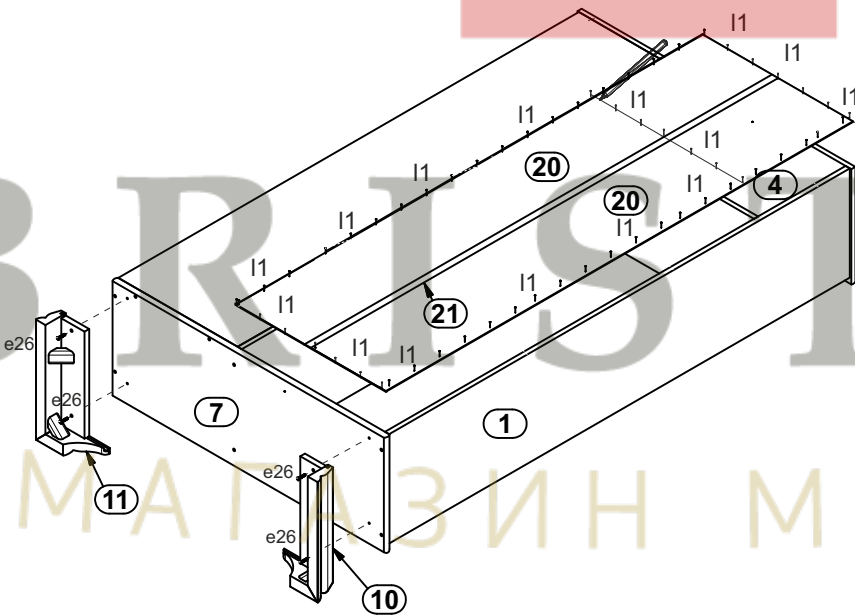
2



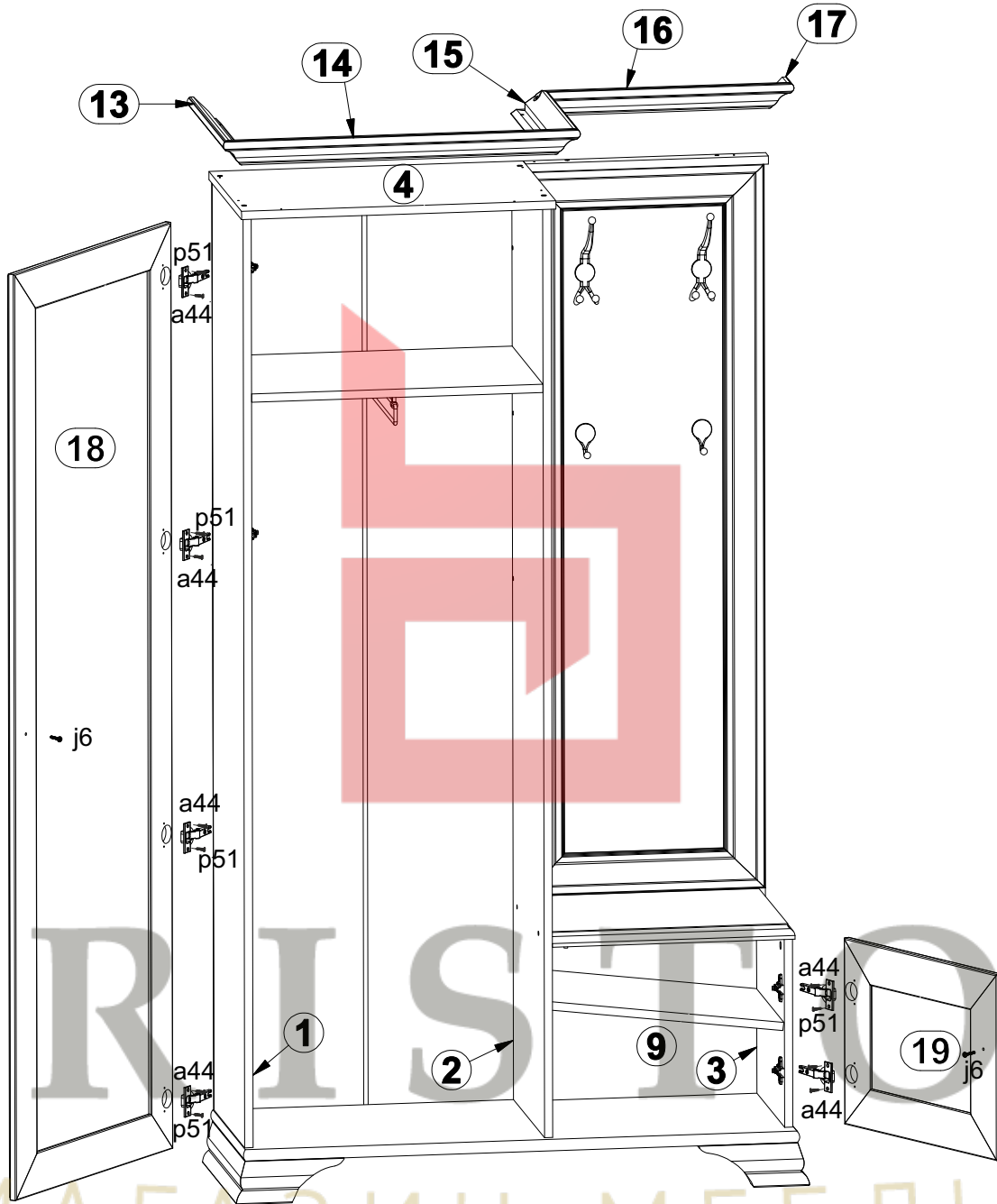
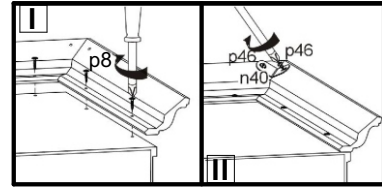
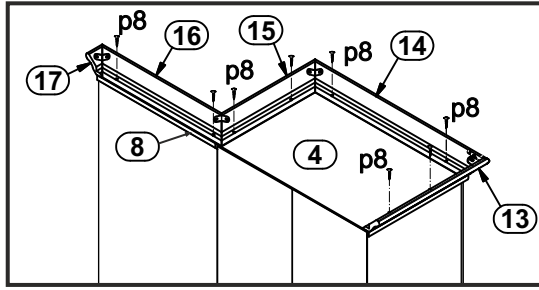
3



4



5



c35\2
c35\1

c35\1
c35\2

