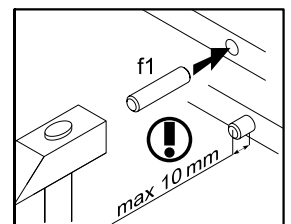
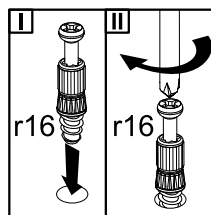
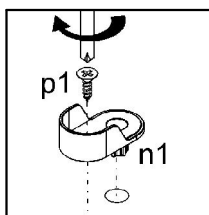
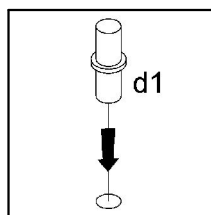
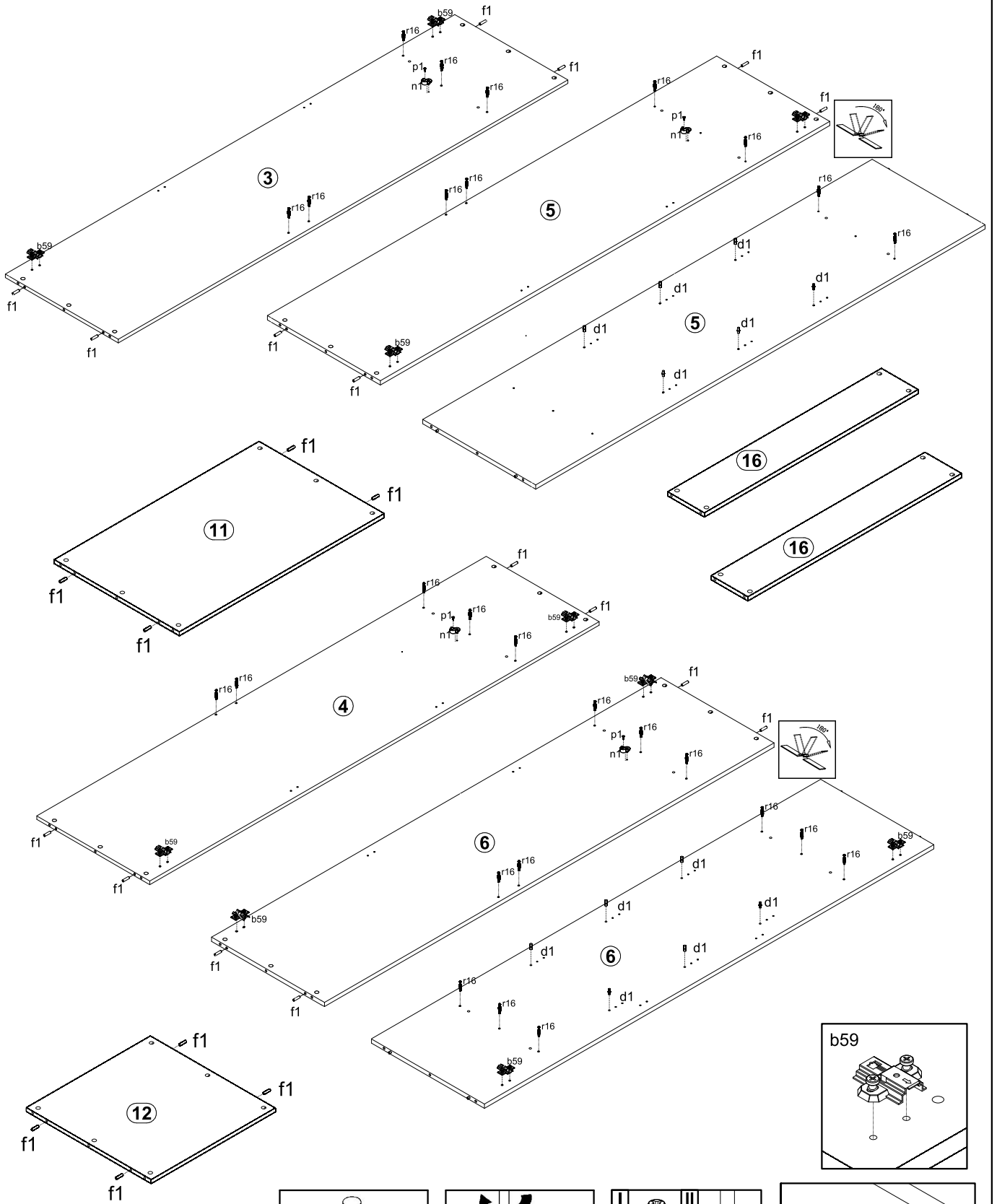


A	B	C	D	A	B	C	D	A	B	C	D			
1	S239-0003	2190	480	5/6	7	S239-2004	1212	581	2/6	14	LH-2211	2211	14	3/6
1	S239-0003	2190	480	6/6	8	S239-2003	1212	581	2/6	15	S239-9003	2245	482	3/6
2	S239-0004	2190	480	6/6	9	S239-2009	1212	595	2/6	16	S239-4001	946	160	1/6
3	S239-1003	2196	552	4/6	10	S239-2010	1212	595	2/6	17	DR-941	941		1/6
4	S239-1004	2196	552	4/6	11	S239-3001	946	552	1/6					
5	S239-1005	2196	552	3/6	12	S239-3002	466	552	1/6					
6	S239-1006	2196	552	3/6	13	S239-3003	466	522	1/6					

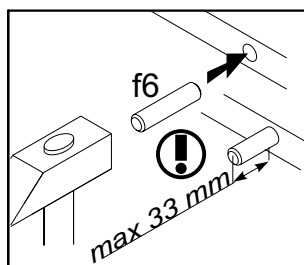
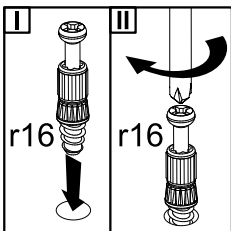
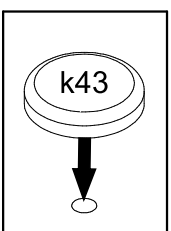
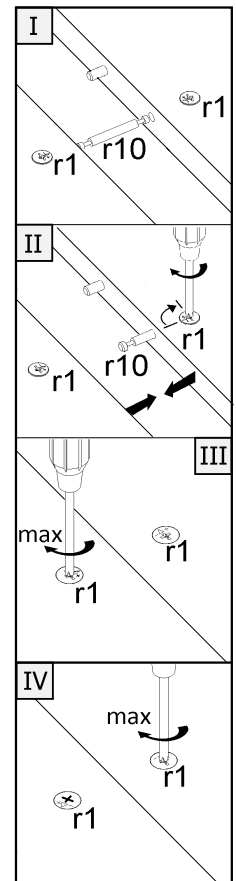
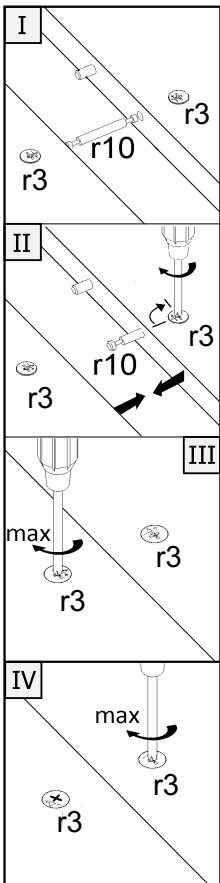
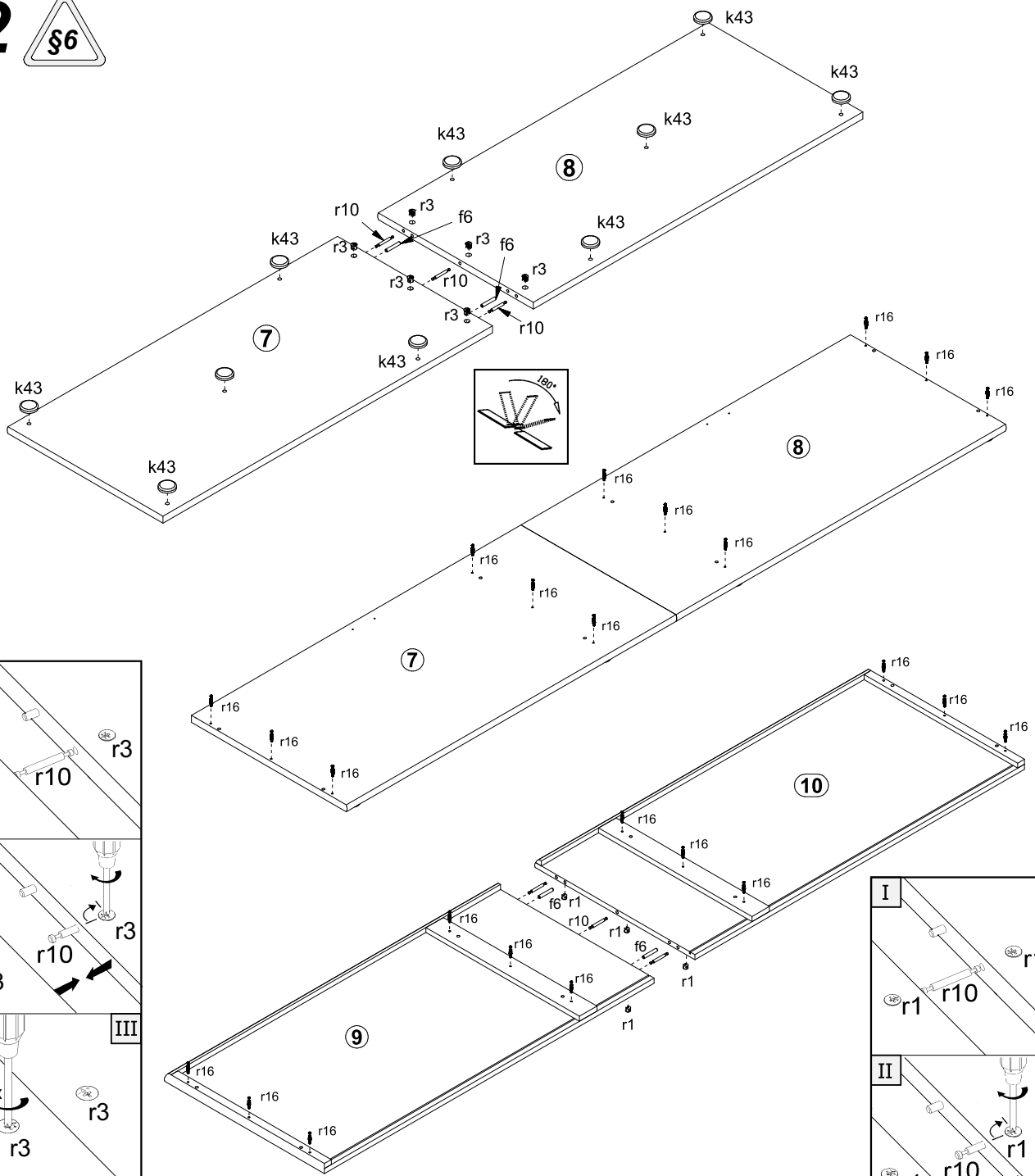


4x a44	6x a68	4x a102	6x a103	4x b19	6x b35	10x b59	5x c415
12x φ5x17 mm d1	4x φ6,3x15 mm d4	32x φ8x30 mm f1	4x φ8x50 mm f6	5x M4x28 mm j11	10x φ48\10 mm k43	190x l1	4x n1
2x n2611	4x φ3,5x13 mm p1	14x φ3,5x16 mm p38	40x φ3,5x15 mm p51	62x φ15x12mm #16 r1	6x φ15x15mm #22 r3	6x 56 mm r10	56x 20/9 r16
48x φ16 s2							2x

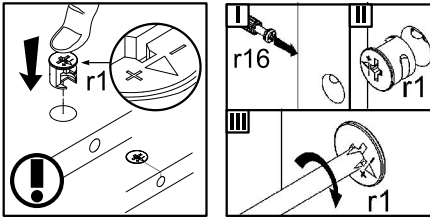
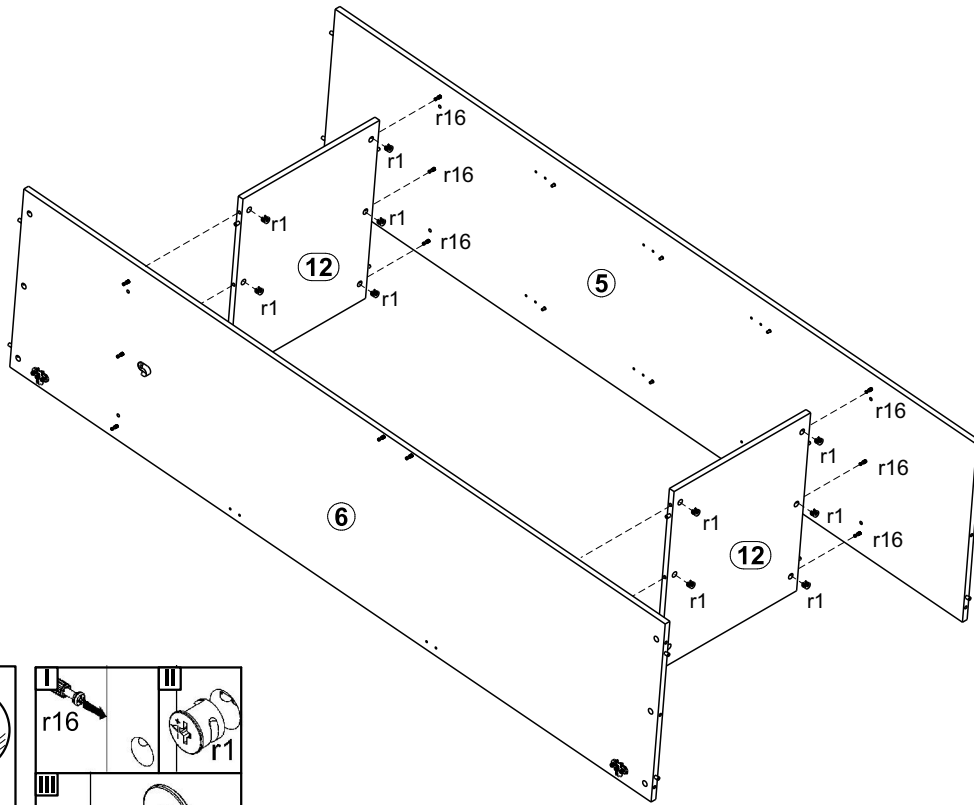
1 §2



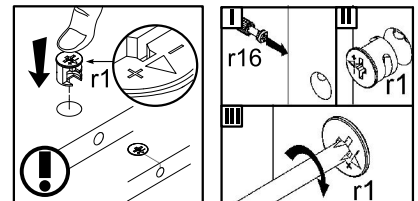
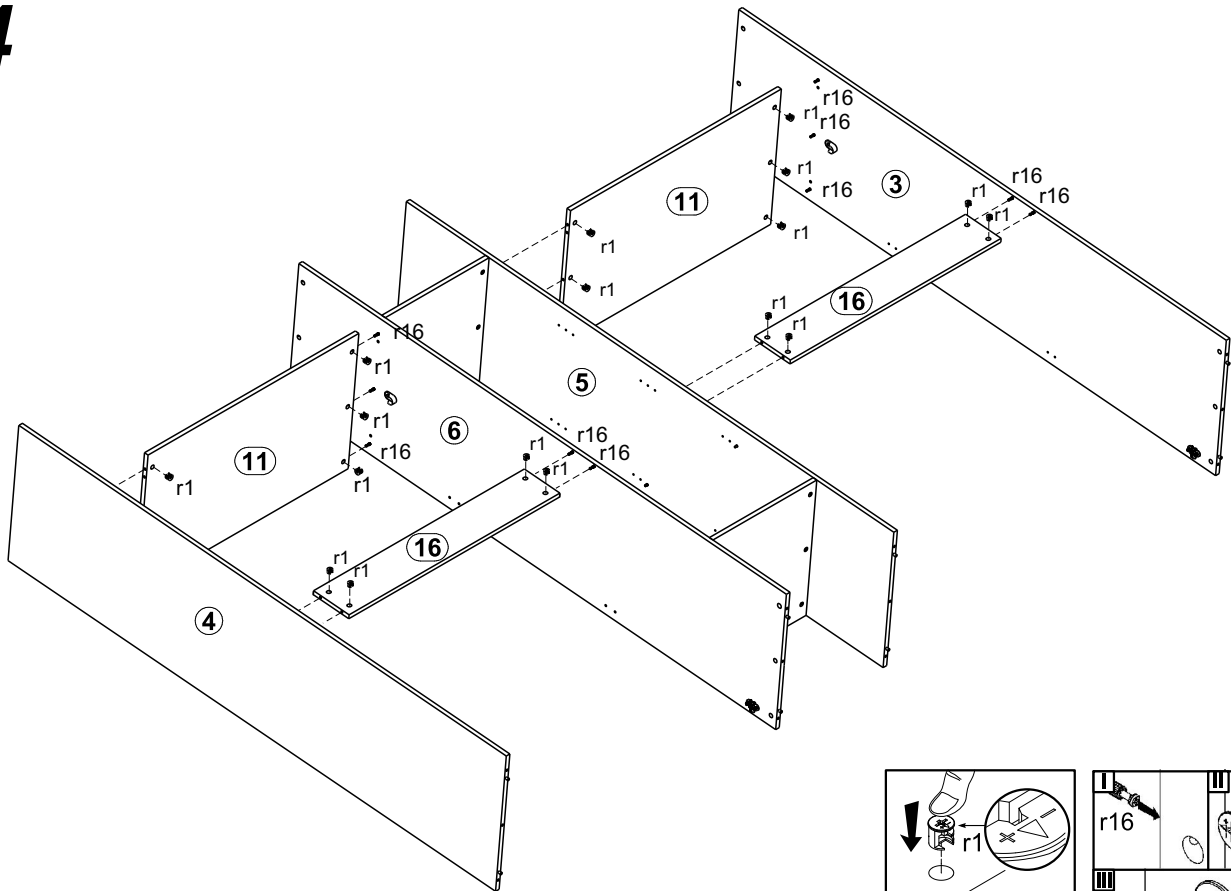
2



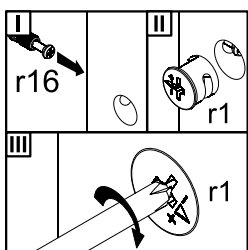
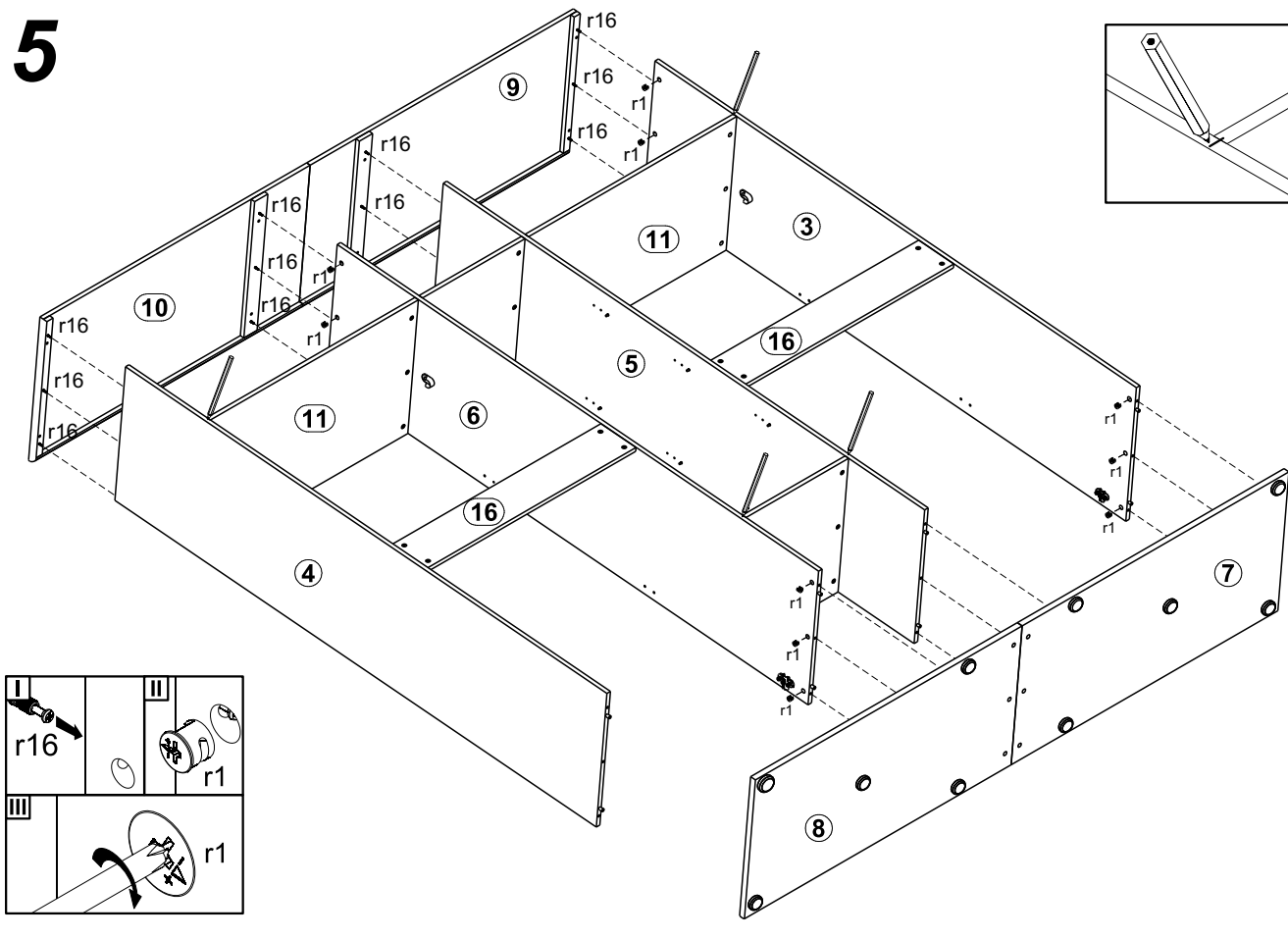
3



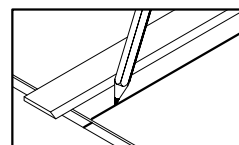
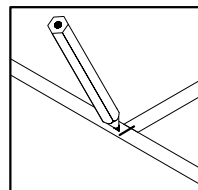
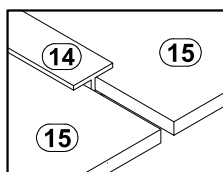
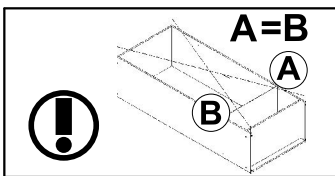
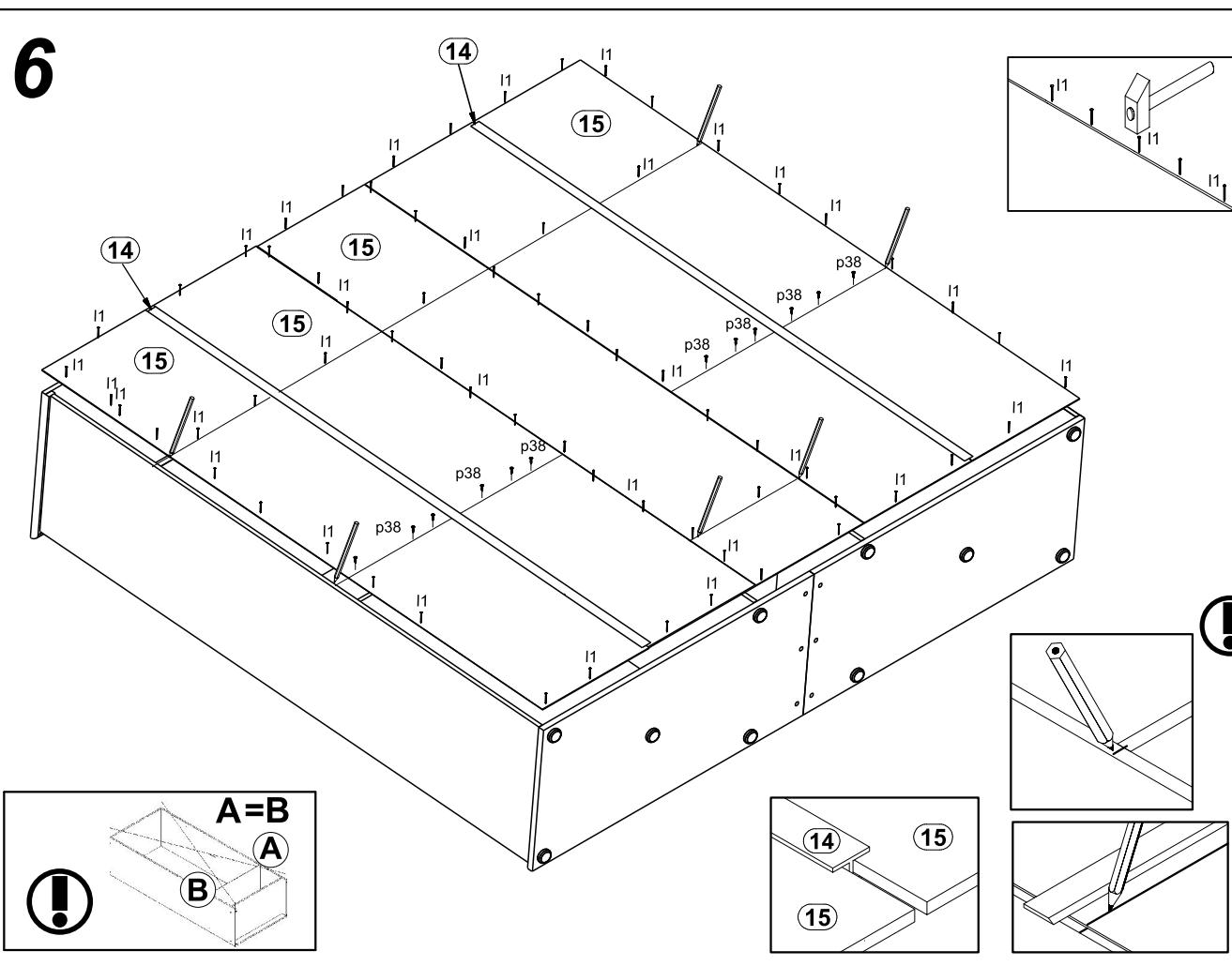
4



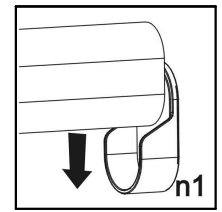
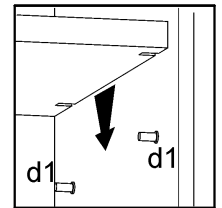
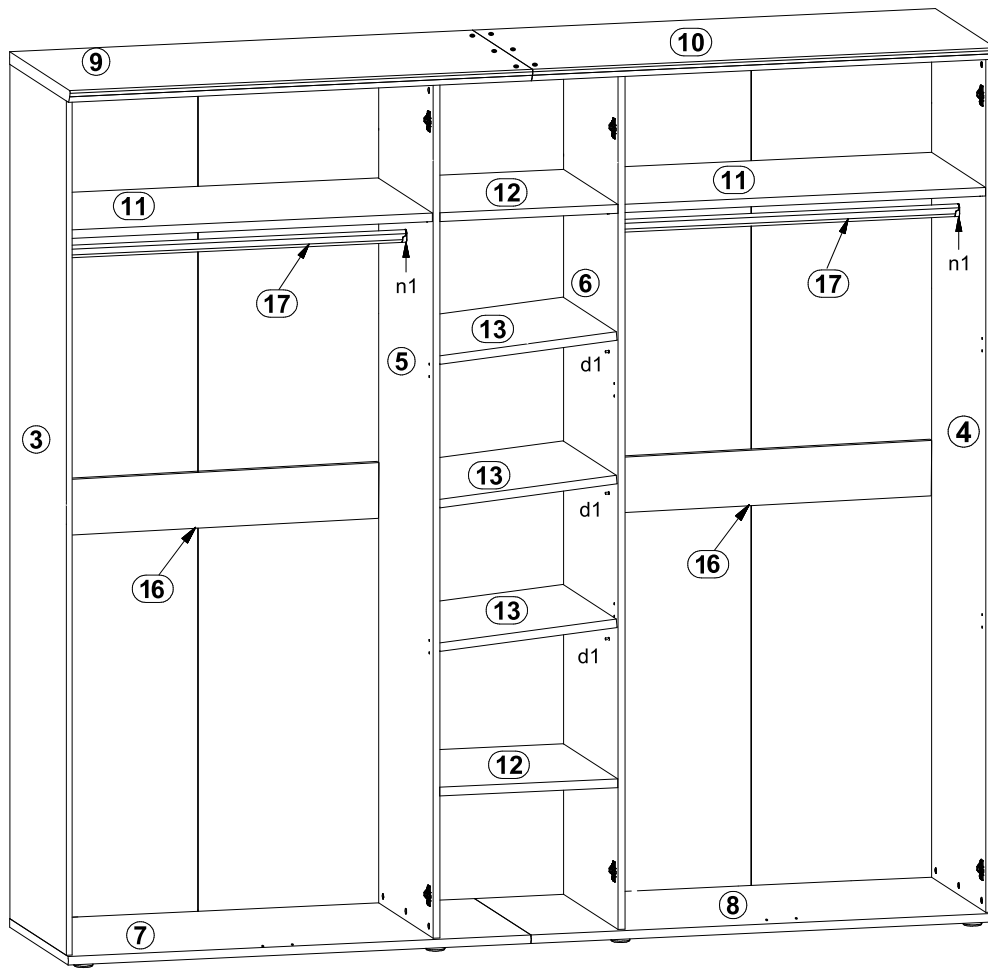
5



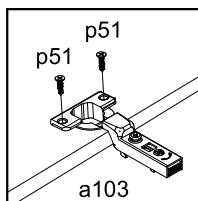
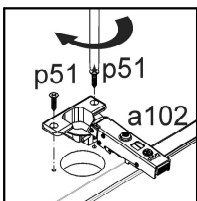
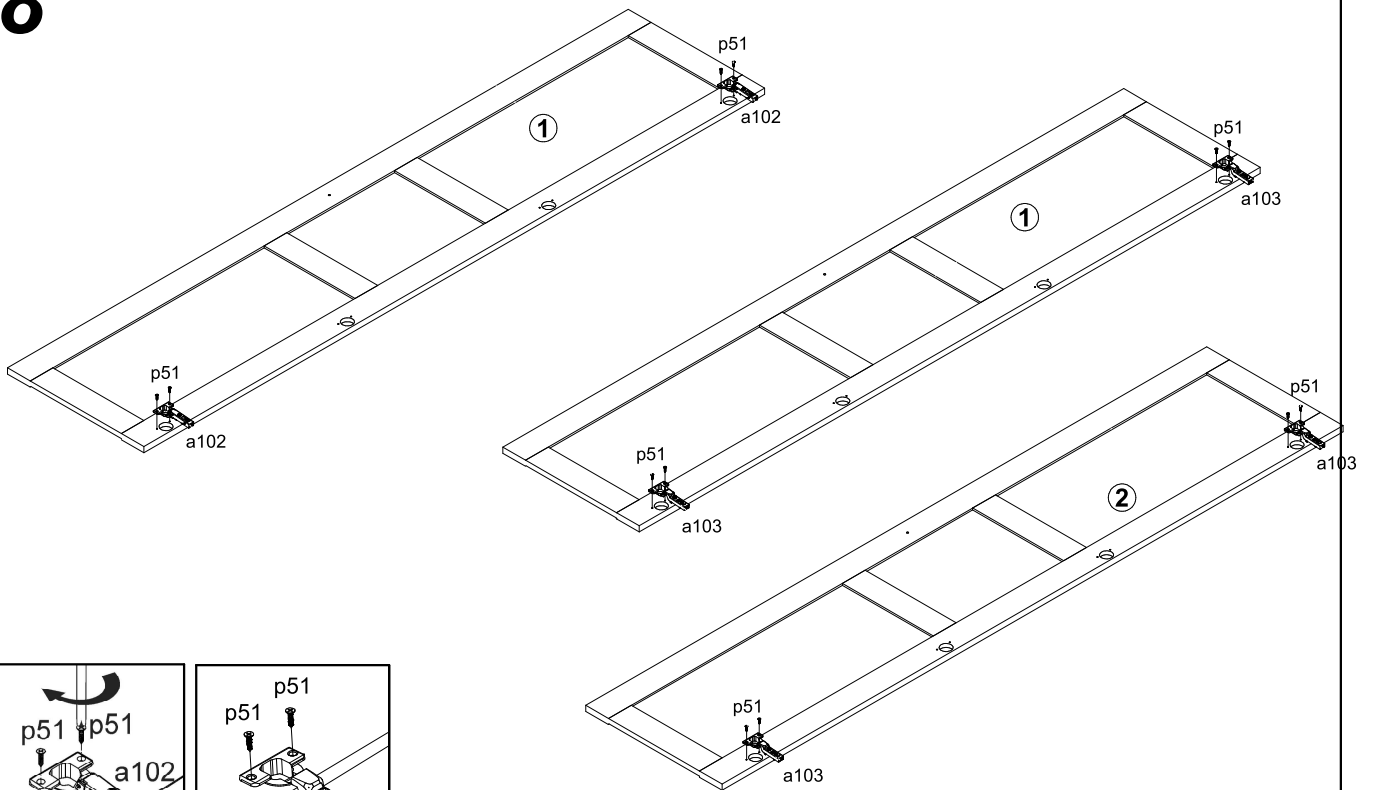
6



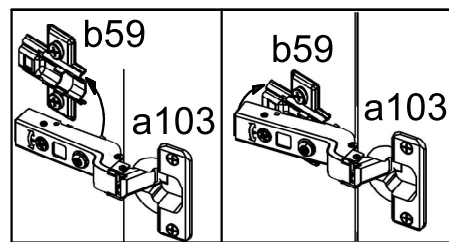
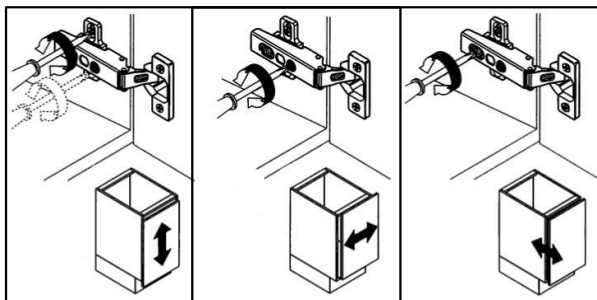
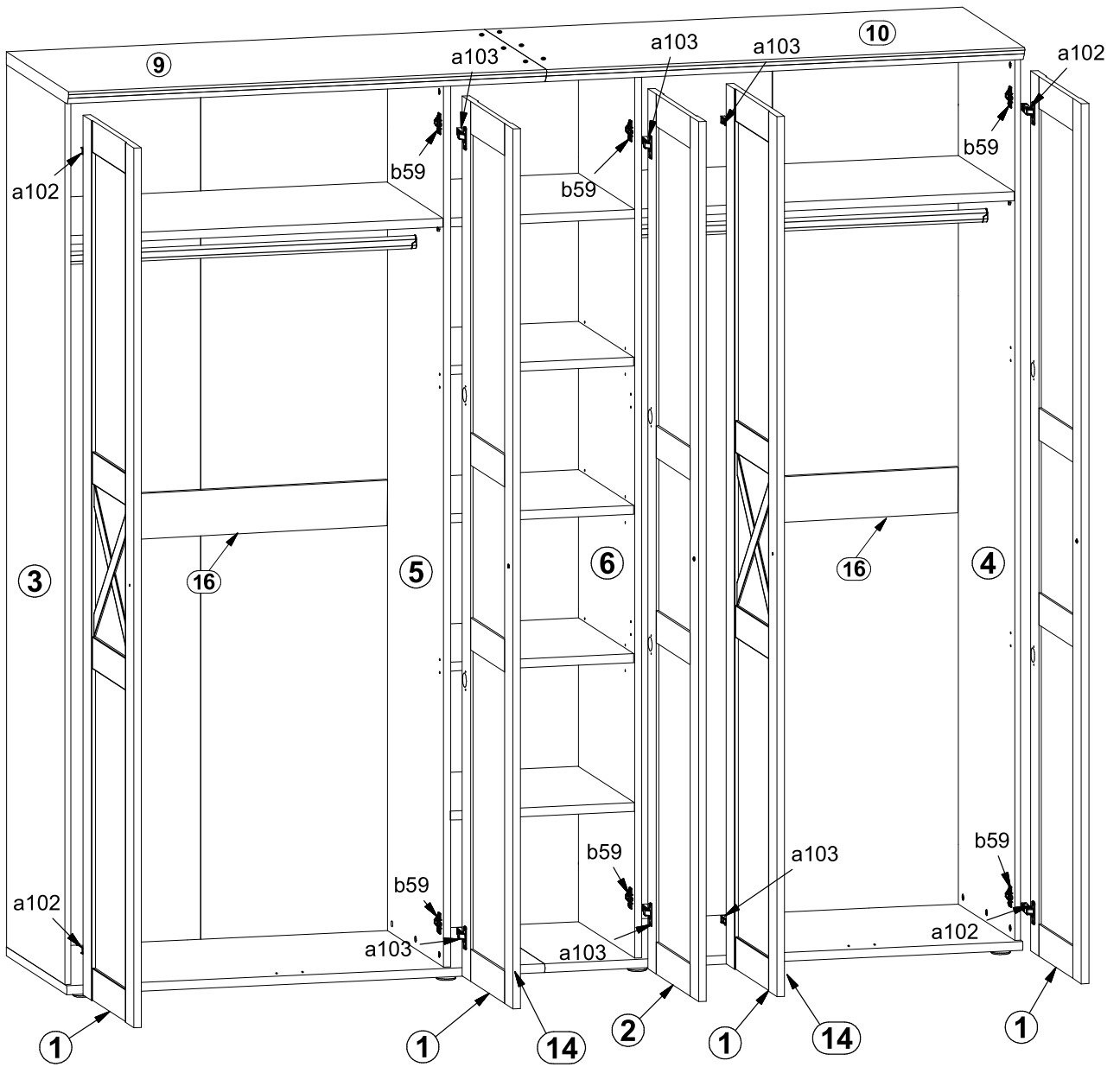
7



8



9



10

