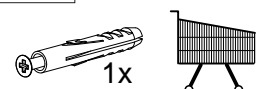
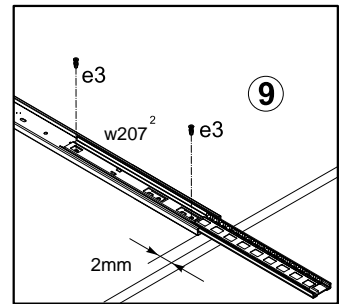
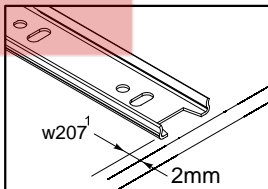
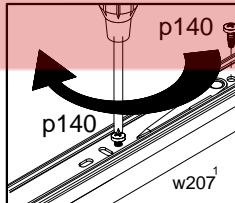
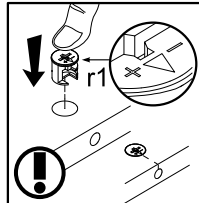
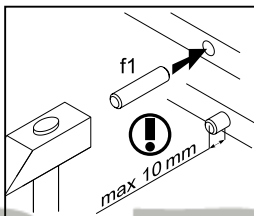
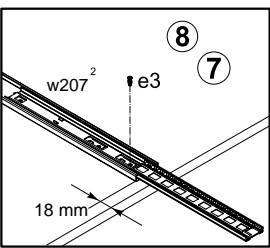
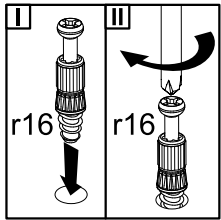
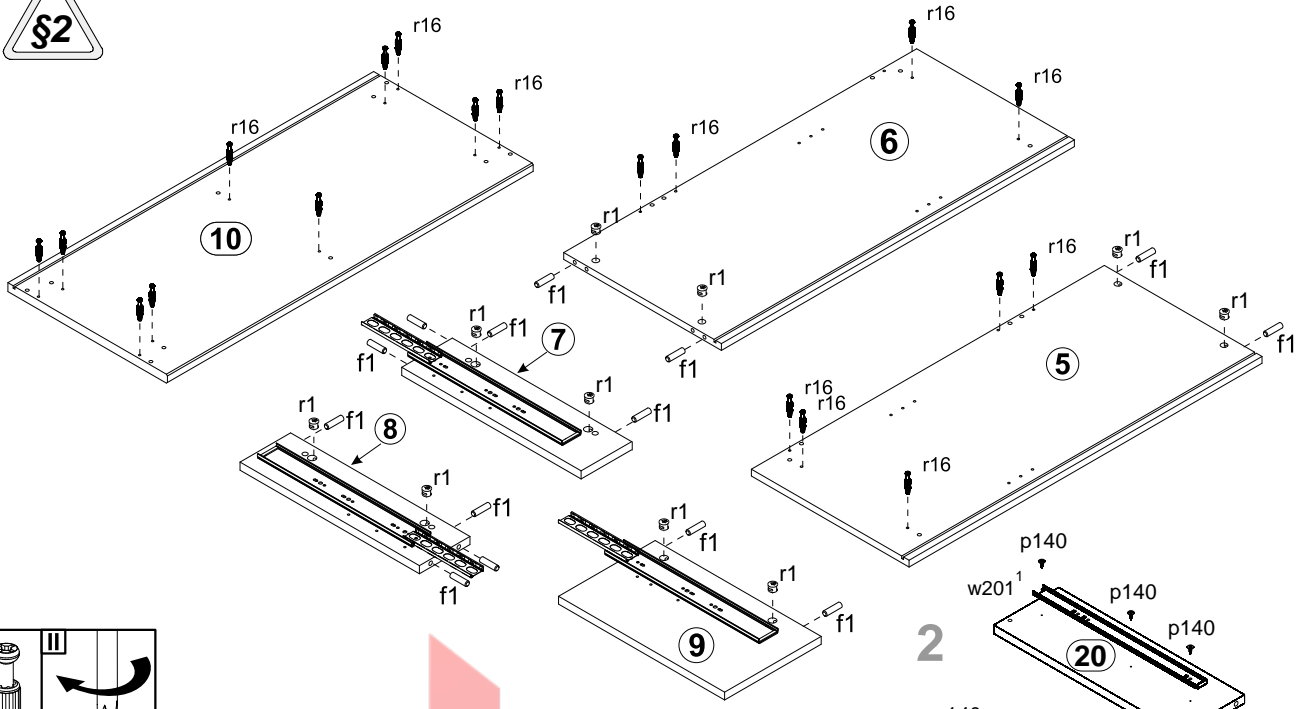


A	B	C	D	
1	S404-0001	446	205	3/3
2	S404-0002	446	205	3/3
3	S404-0003	446	543	3/3
4	S404-0004	446	543	3/3
5	S404-1001	958	428	1/3
6	S404-1002	958	428	1/3
7	S404-1003	115	408	2/3
8	S404-1004	115	408	2/3
9	S404-1005	228	392	2/3
10	S404-2001	1041	454	2/3
11	S404-3001	1007	428	2/3
12	S404-3002	1007	408	1/3
13	S404-5001	958	70	1/3
14	S404-5002	958	70	1/3
15	S404-5003	899	70	1/3
16	S404-5004	899	70	1/3
17	S404-4001	1007	60	2/3
18	S404-4002	1007	160	2/3
19	S404-5102	366	120	2/3
20	S404-5103	366	120	2/3
21	S404-5101	384	120	2/3
22	S404-9001	399	365	2/3
23	S404-9301	443	1018	2/3
24	LH-1006	1006	14	2/3

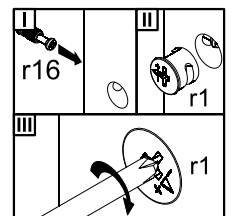
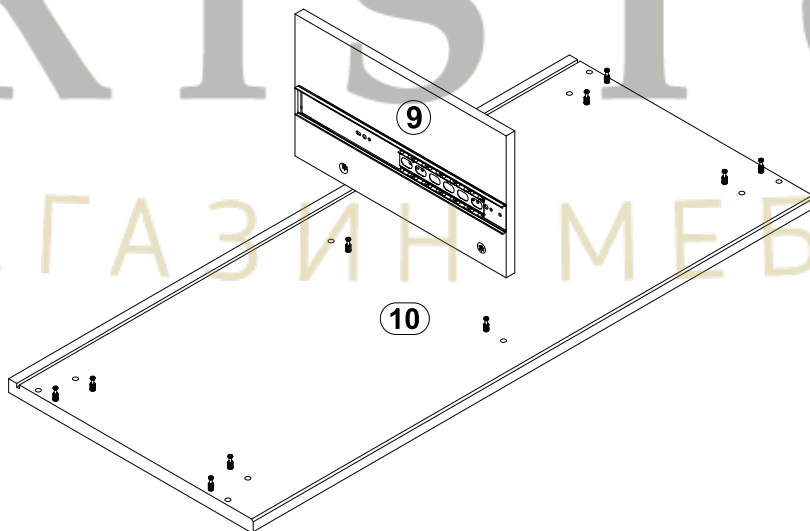
4x a132	2x a133	4x b43	4x $\phi 5 \times 17$ mm d1	1x d36 22 22 24	9x d37 30 34 25	2x $\phi 7 \times 50$ mm e1
8x $\phi 6,3 \times 13$ mm e2	8x $\phi 5$ s4	3x $\phi 7 \times 28$ mm e22	26x $\phi 8 \times 30$ mm f1	2x $\phi 8 \times 20$ mm f13	4x k1	10x l1
14x l2	1x n2611	39x $\phi 3,5 \times 16$ mm p38	8x $\phi 3,5 \times 15$ mm p51	28x $\phi 15 \times 12$ mm #16 r1	28x 20/9 r16	12x $\phi 6 \times 13$ mm e3
14x $\phi 16$ s2	12x $\phi 3,5 \times 12$ mm p140	4x 350 w2071	4x 350 w2072	8x $\phi 5 \times 50$ mm e32	1x z1	



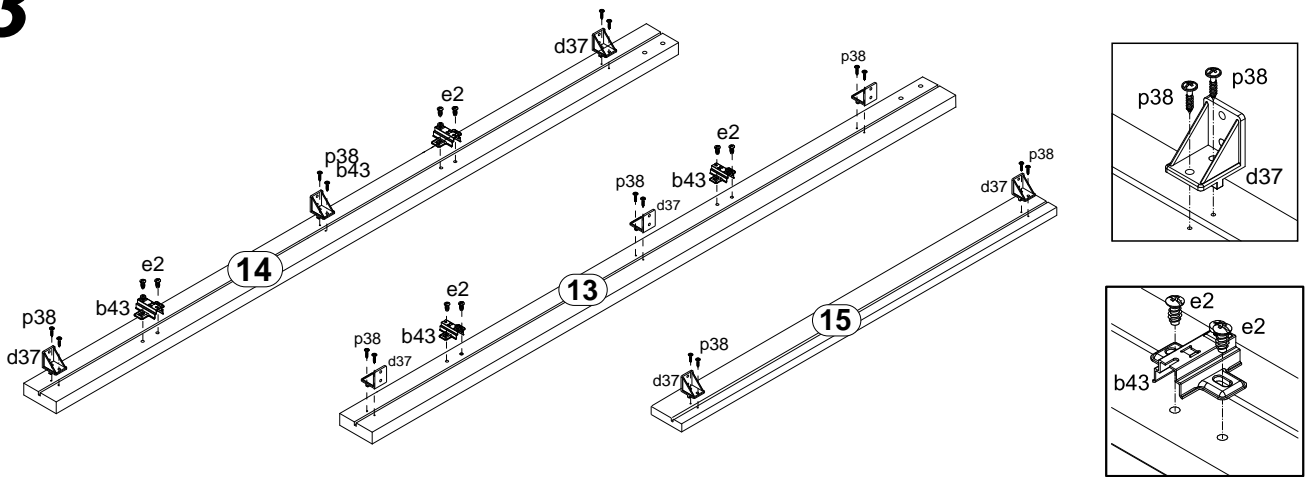
1  §2



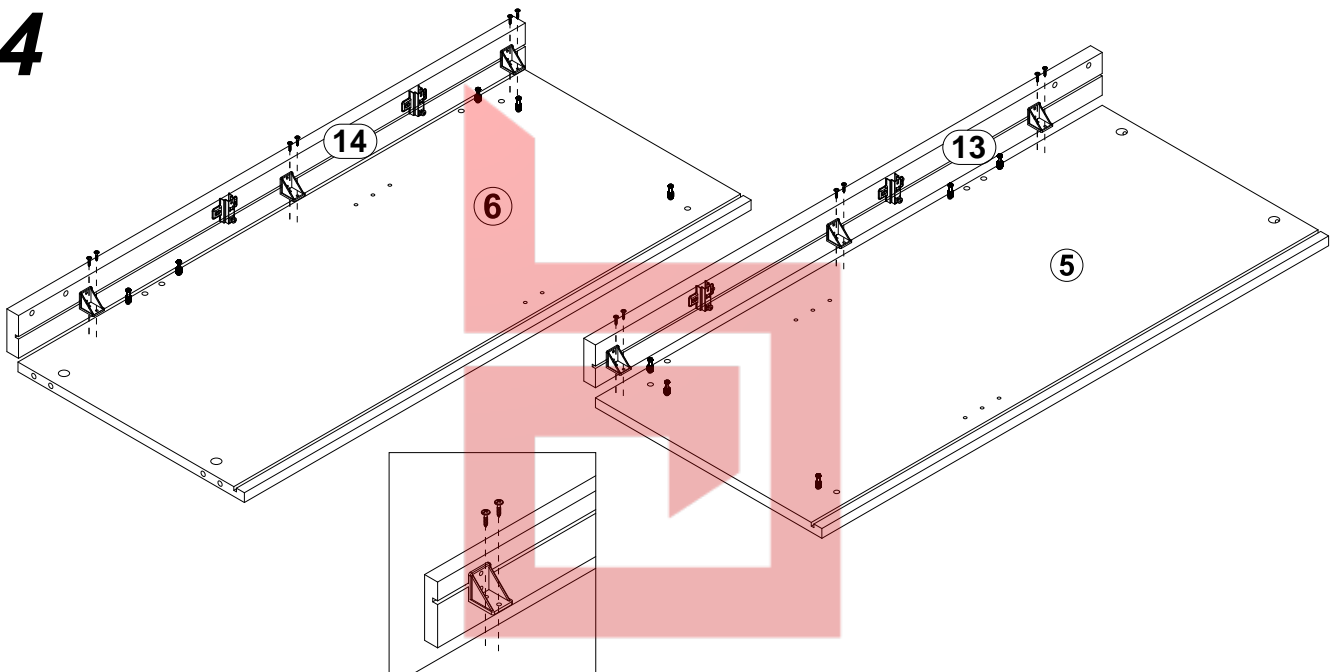
2  §6



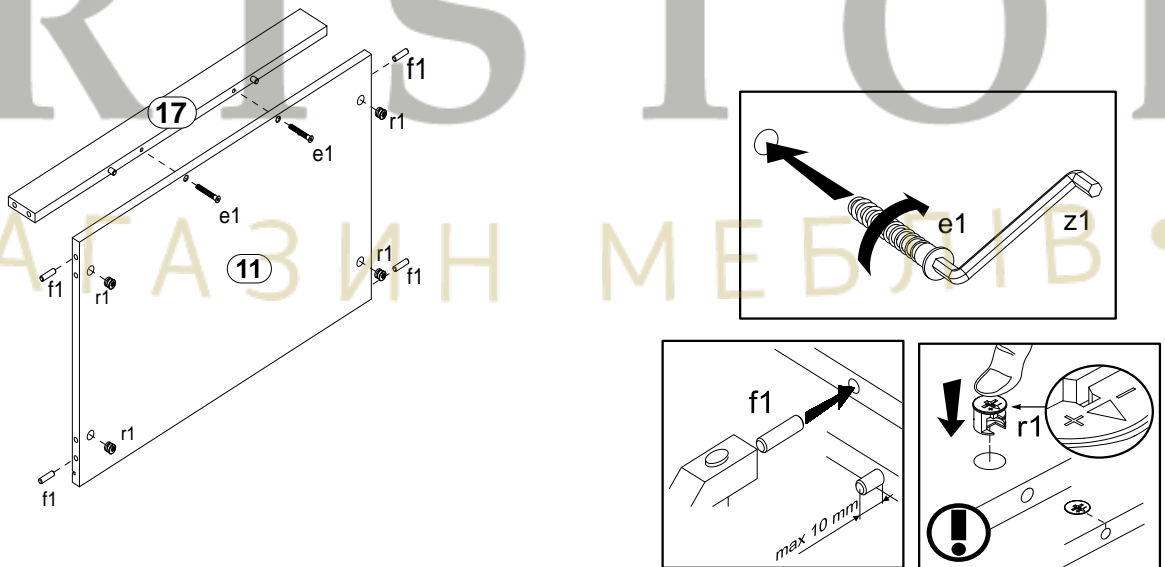
3



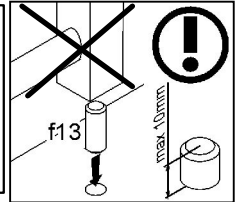
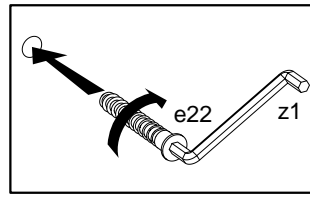
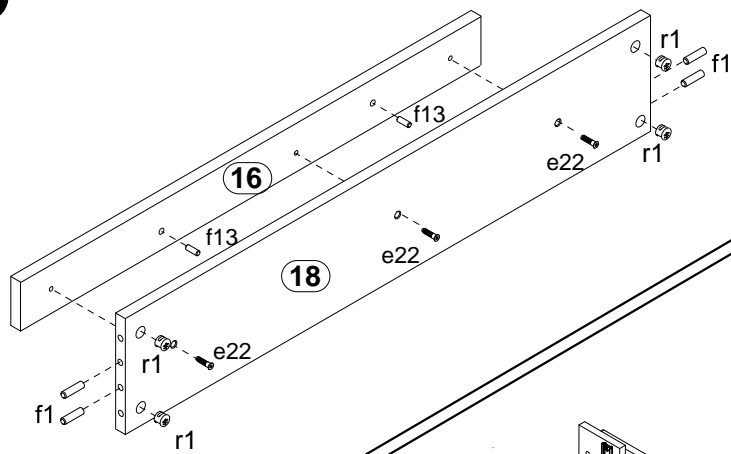
4



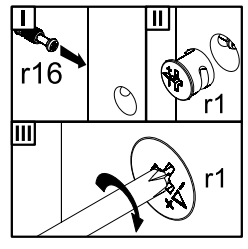
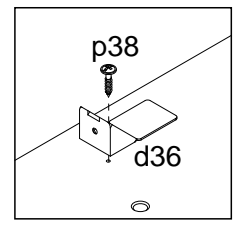
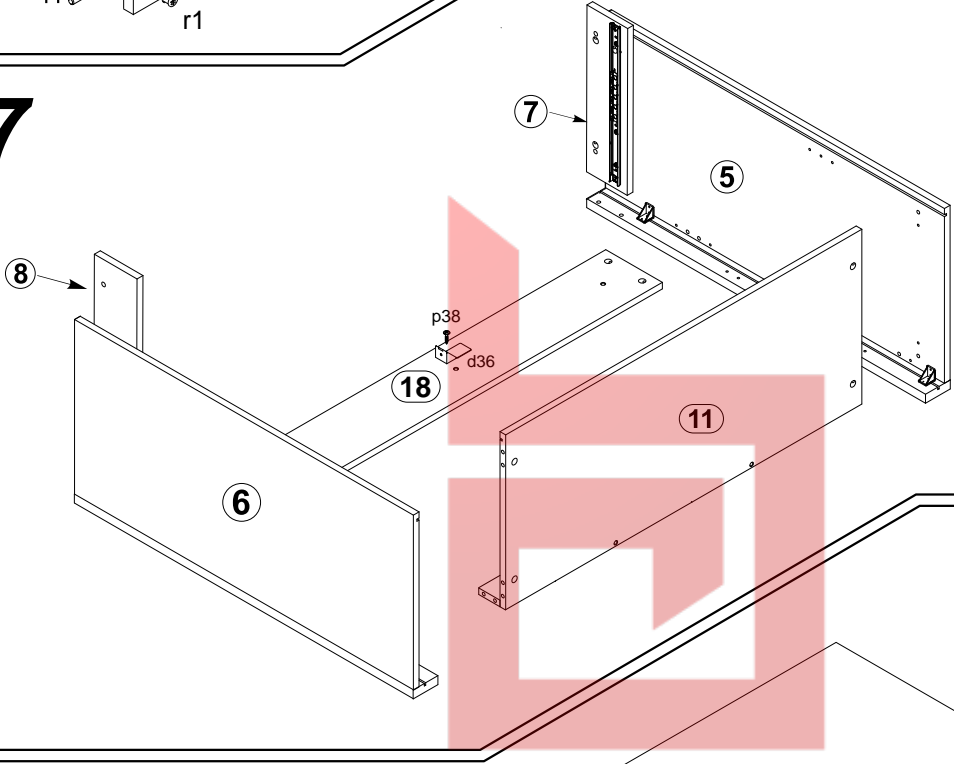
5



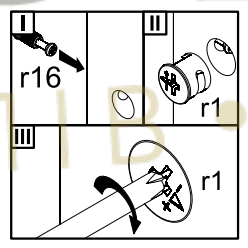
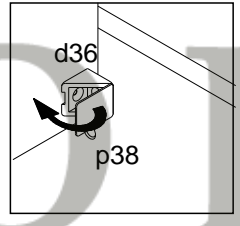
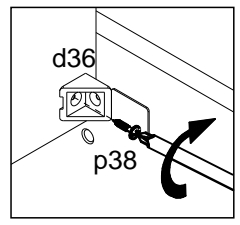
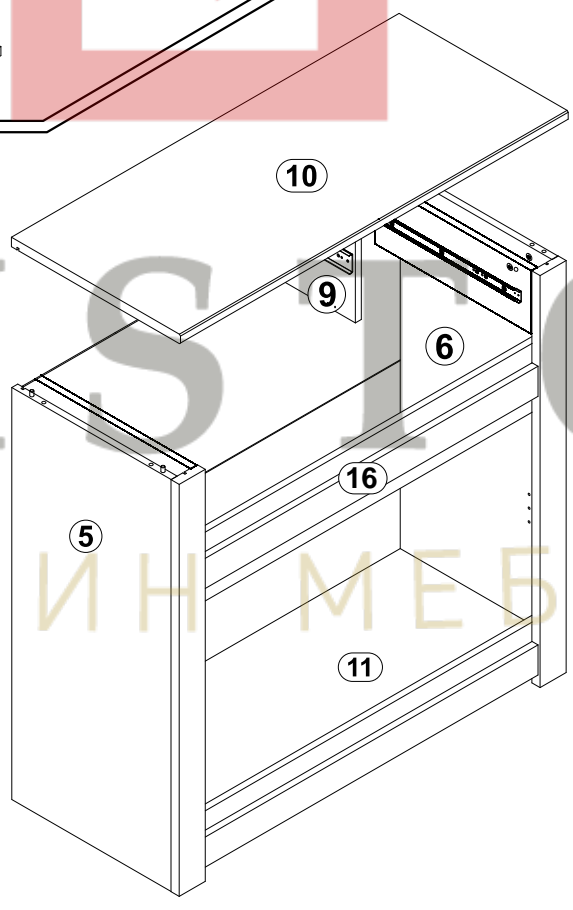
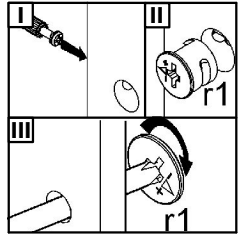
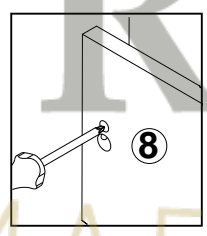
6



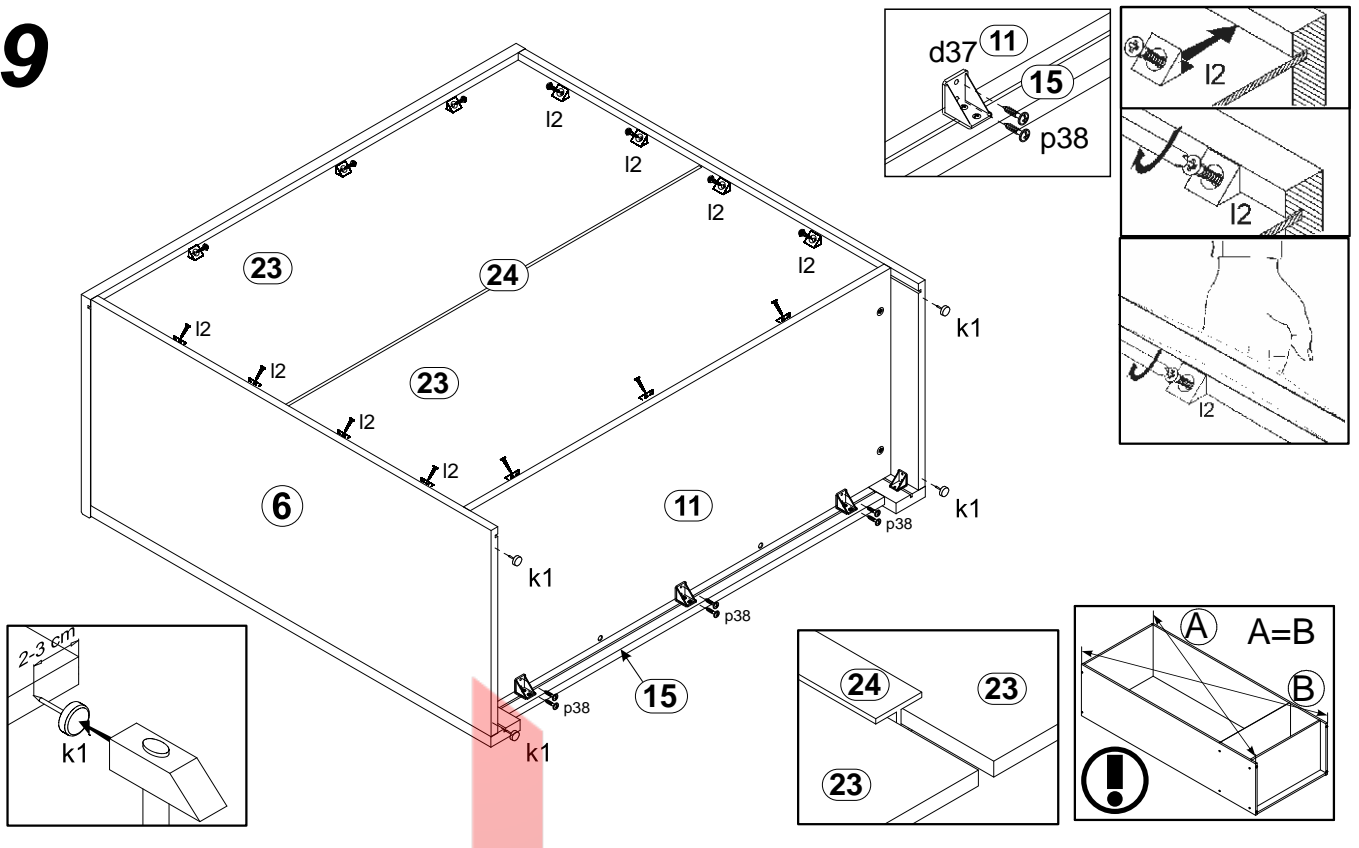
7



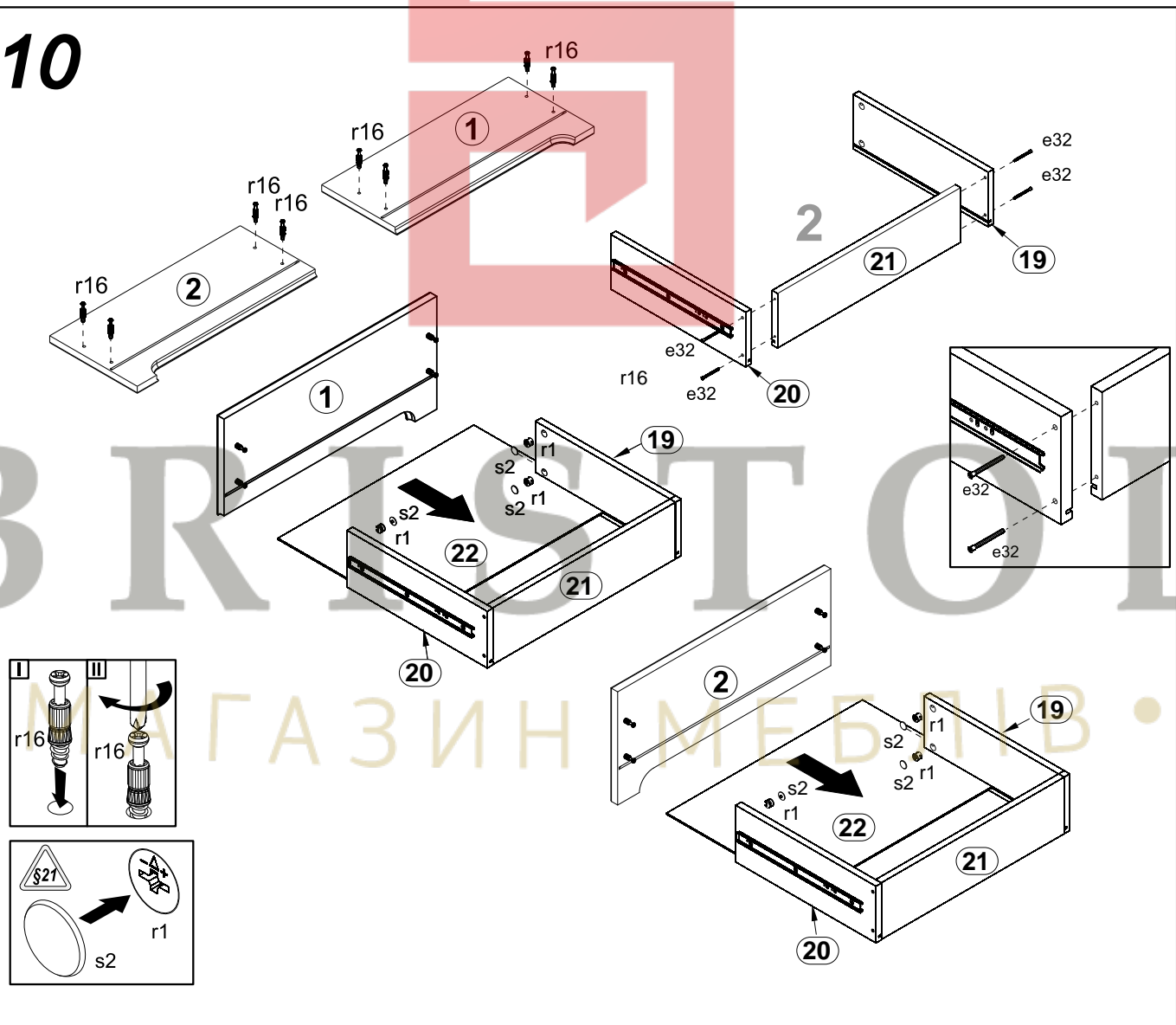
8



9



10



11

